

SPECIFICATIONS

Saturnus 810-5900

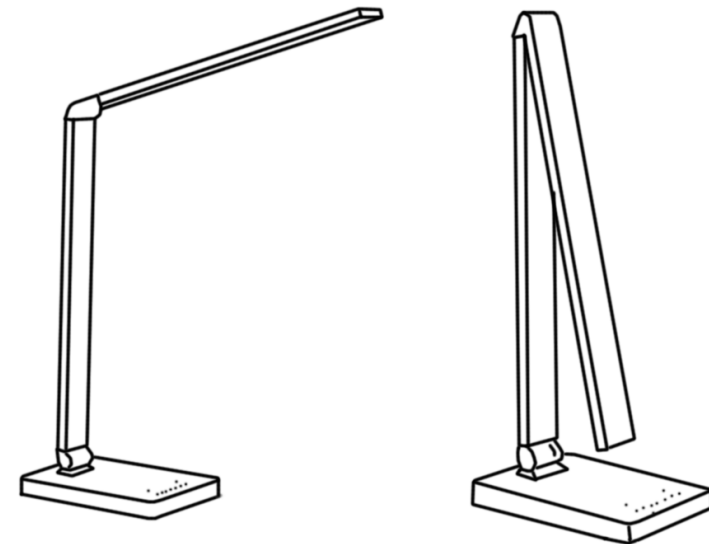
Wattage in max	10 W
LED / Lifspan	LED 0.18 W x 120 pcs / 50,000 Hours
Ligth control	Dimmable touch control/4 grade lighth temperature modes
Dimension	360 x 395 x 180 mm
Color temp.	3000K / 3800 K / 4300 K / 5700 K
Lamp illumination (H:40 cm)	800 Lux (3000 K), 1100 Lux (3800 K), 1200 Lux (4300 K), 1000 Lux (5700 K)

SAFETY NOTES

- » The mains adapter is designed exclusively for 230 V, 50 Hz alternating voltage.
- » Do not use the lamp if it exhibits visible damages.
- » Only have the lamp repaired by qualified professionals. Contact a qualified workshop for this purpose. Liability claims and claims to warranty are excluded in the event of repairs performed individually, improper connection or incorrect operation.
- » Only parts corresponding to the original device specifications may be used for repairs. Electrical and mechanical components are contained in this device, which are essential for protection against potential risk sources.
- » Do not submerge the lamp or the mains cord or mains plug in water.
- » Never come into contact with the mains plug with wet hands.
- » Keep the lamp, the mains plug and the power cord away from open flames and hot surfaces.
- » Never lay the power cord over sharp edges.
- » Only use the lamp in dry indoor areas. Never use it in damp spaces or in the rain.
- » Never position the lamp such that there is a risk of it falling in a tub or a sink.
- » Never attempt to grasp an electronic appliance if has fallen in water. Immediately pull the mains plug in this case.
- » If you are not using the lamp, cleaning it or in the event of a fault, turn the lamp off and always pull the plug out of the socket.
- » Never pull the mains plug out of the socket by the cord, but always pull the mains plug itself.
- » Never use the connector cable as a carrying handle.
- » Render the device, which has outlived its purposes, unusable: Disconnect the power cord from the socket and cut through the power cord

SATURNUS

USER'S MANUAL USB CHARGING LED DESK LAMP



MODEL NO. AND THE POWER ADAPTOR

Modell no : 810-5900 (with 2.1A USB charger)
Power adaptor input voltage: AC 100-240 V, 50/60 Hz
Power adaptor output voltage: DC 12V, 2A

by
Kondator
www.kondator.se

PRODUCT USING

BEFORE USING:

- 1: Check if all product contents are in the box and if the lamp outlook keeping well without any damage
- 2: If the contents are incomplete or the product damaged, please do not use the lamp. And contact the vendor.

LAMP SETUP LOCATION:

Place the lamp on a solid, level surface, close to the socket, make sure that it is not able to tip over, and the cable does not pose a trip hazard

CONNECTING THE LAMP:

- 1: Insert the small round pin of the external power adaptor into the DC input at the rear of the lamp, the blue light will be on of the ON/OFF LED indicator and the color temperature LED indicator on the touch panel
- 2: Insert the main adaptor into the socket

SWITCHING ON/OFF: Fast touching the ON/OFF switch to turn on and turn off the lamp

BRIGHTNESS CONTROL: The product adopted stepless dimmable touch control to adjust the brightness of lamp. You can adjust the brightness easily according to different requirement by just touching the 8 grey Dots on the touch panel. Light getting stronger from left to right, and the right last grey dots touch has the strongest light

COLOR TEMPERATURE CONTROL: The product has built in four grades color temperature (3000K/3800K/4300K/5700K). You can adjust the color mode from reading, study and relax to sleeping mode by just fast touching the "M" on the touch panel

HEIGHT CONTROL: Move the rotating shaft to adjust the light panel height to get the comfortable lighting

USB CHARGER: The product has one USB charging port built in at the rear of the lamp, it offers 2.1A for fast charging of tablet and smart phone (brightness getting slightly weak when charging tablet)

PRODUCT IMAGE

