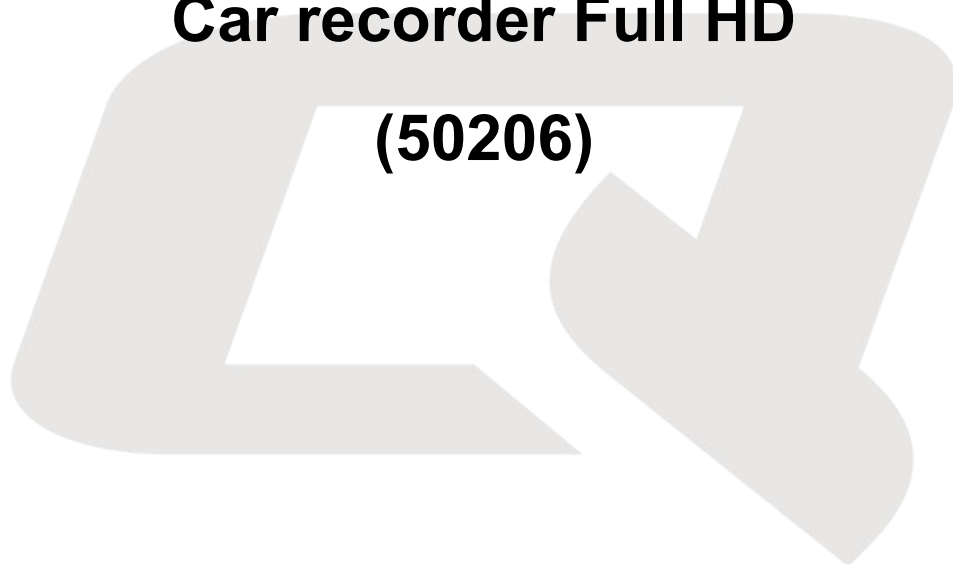




User manual

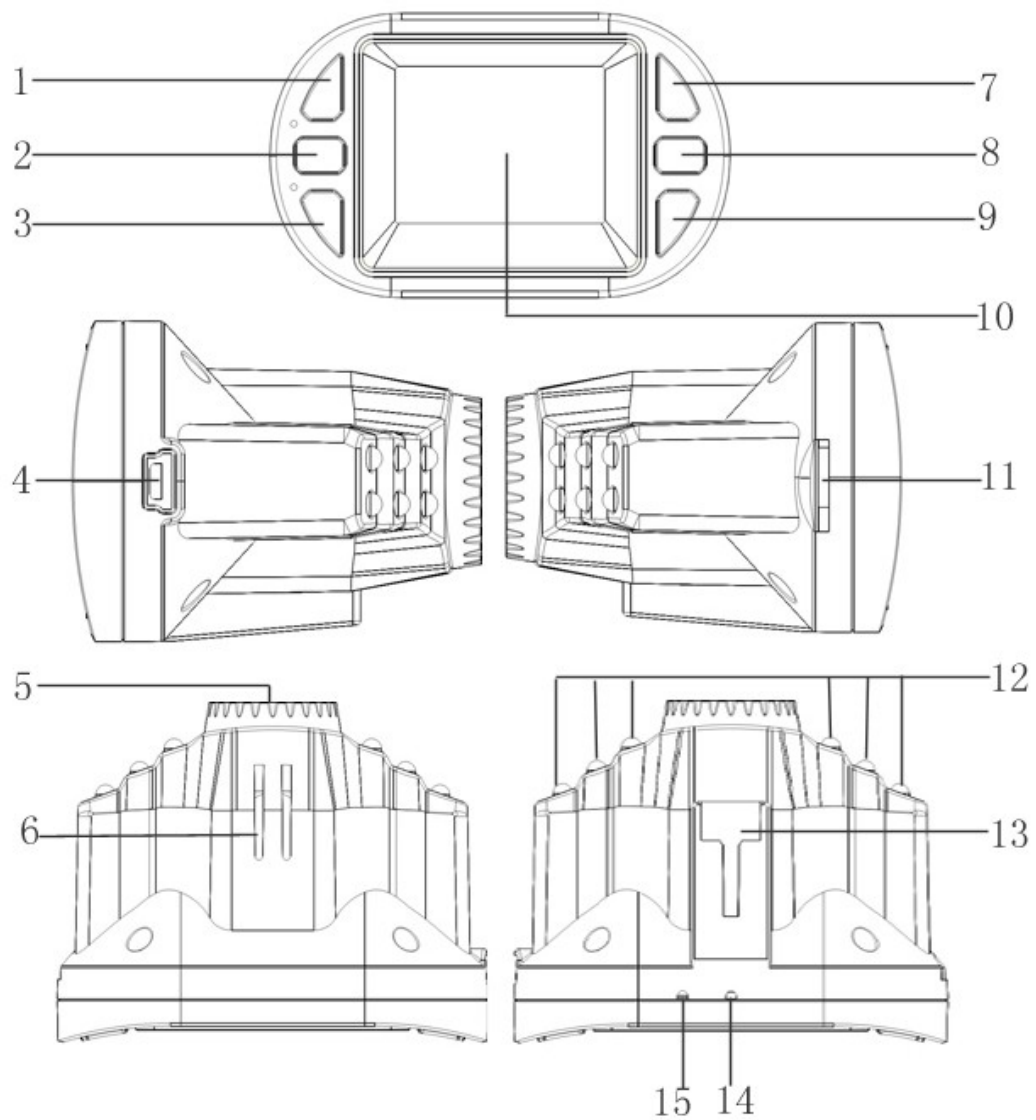
Car recorder Full HD

(50206)



User manual

Product description



1) Up	2) Menu	3) Down
4) USB input	5) Camera	6) Speaker
7) OK	8) Mode	9) Power
10) Display	11) Card slot	12) Infrared (IR)
13) Rail handle	14) Reset	15) Microphone

Function:

- 1) Up
 - Selecting menu.
 - Short press this button during recording, let you use “zoom +” features.
- 2) Menu
 - Pressing this button will show options.
- 3) Down
 - Chose menu option.
 - Short press this button during recording, it let you use ”zoom -” features.
- 4) USB input
 - Connect device to PC for exchanging files.
 - Connect device to AC charger to load batteries.
- 5) Camera
 - Angle of vision – 120°.
- 6) Speaker
 - It allows you to listen recorded sound during registration and system sounds.
- 7) OK button
 - In record mode press this button, for start video recording or press it again for stop recording.
 - In photo mode, press short this button to take a photo.
 - In menu it means recording.
- 8) Mode
 - Short press this button allows to switch between function (video, photo, recording).
 - SOS function: short press this button allows you to record current video while recording.
- 9) ON/OFF
 - Hold to on / off device.
 - Short press while recording, will turn on infrared light.
- 10) Display
 - Preview
- 11) Card slot.
- 12) Infrared (IR)

It allows you to record video at night and in low light.

Short press "POWER" button will turn on infrared.

- 13) Handle mounting rail.
- 14) Reset
Restarting device.
- 15) Microphone

Special features description:

- G-sensor
- When the gravity acceleration reaches 6g ($1g=9.80m/s$), device saves video files as secure.
- Supports start and stop recording and automatic saving. When connected to car power.
- Recording in loop without missing even one second.
- SOS
Short press "M" button, forces to save the current video while recording.

Specifications recording / take photos

- **On / Off**

Hold "POWER" button, to turn on device. Device display will show images and information LEDs light.

To turn off device hold "POWER" button, device will turn off and LED will go off.

NOTE: Device will turn of automatic when battery levels drops. Device will show message "low battery" and switch off.

- **Recording video**

Short press "M" button will switch to recording mode. In the upper left corner there is an icon informing us in which mode device currently is.

Short press "OK" button, will start recording. The red LED indicates that recording is in progress.

- **Taking photo**

Short press "M" button will take you to capture mode. In the upper left corner there is an icon informing us in which mode device currently is. Short press "OK" button, will take a photo. One blink of the display indicates that the photo was taken.

- **Playback video/photo**

Short press "M" button, to switch to playback mode. In the upper left corner there is an icon informing us in which mode device currently is. Use the up and down button to browse files, to preview the selected track press "OK".

- **Menu**

Double click "menu" button will open the settings.

USB mode

When you connect USB cable to your computer, press the "POWER". Recorder will show two options to choose:

1: USB Drive

In this mode, you have access to video and photo files.

2: PC Camera

In this mode, you can use the device as webcam.

Battery description

- **Battery charge indicator :**



Full charged



Slightly charged



Low charged



Discharge

There are three ways of charging, in every of them lights up red LED will indicates charging mode. Total charge time takes approximately 180 minutes. When battery will be full charge, LED goes off.

1. The use standard AC charger.
2. Connect your device to your computer using a USB cable.
3. Using the car charger.

Coution: Device can only be use by car adapter 5V, otherwise it could be damaged.

Car adapter can only be connected to 12/14V jack.

Note: If device is not working properly, you should use reset button.

Troubleshooting:

- **Inability to recording and taking photo**
Check if card has enough space or is not locked.
- **Automatic stop while recording**
Use SDHC compatible card.
- **Error appear during video recording or viewing photos.**
Check if memory card is inserted correctly.
- **Unclear video**
Check if display is clean. Clean camera lens.
- **Black image during video recording water or sky.**
High-contrast scenery will affect the camera's auto exposure function. We recommended set EV function to improve settings.
- **Color is not perfect in cloudy day**
Set camera white balance on automatic.
- **Unusual accident**
Restart, by press short "RESET" button.
- **Specification**

Attributes	Camera HD, video recording HD
G-sensor	Build-in (in case of accident video will be saved)
Display size	1.5"LTIPS
Camera	120 A + Ultra high resolution and wide field of view
Language	Russian, Japanese, French, Italian, German, Spanish, English, Chinese (simplified), Chinese (traditional), Korean, Polish
Video format	AVI
Resolution	Max 1080P
Color	default
Loop	Recording without missing even a second
Automatic on/ off	Support automatic turn on/off
Internal storage	64 MB
Photo	5 million
Photo format	JPEG
Memory card	Max 32GB
Microphone	Build-in
Speaker	Build-in

Infrared	Build-in
Video output	Brak
Video format	PAL/NTSC
Frequency	50HZ/60HZ
USB function	1:Disk 2:Camera
Charger	5V 800mA
Battery	Build-in 240mAh

