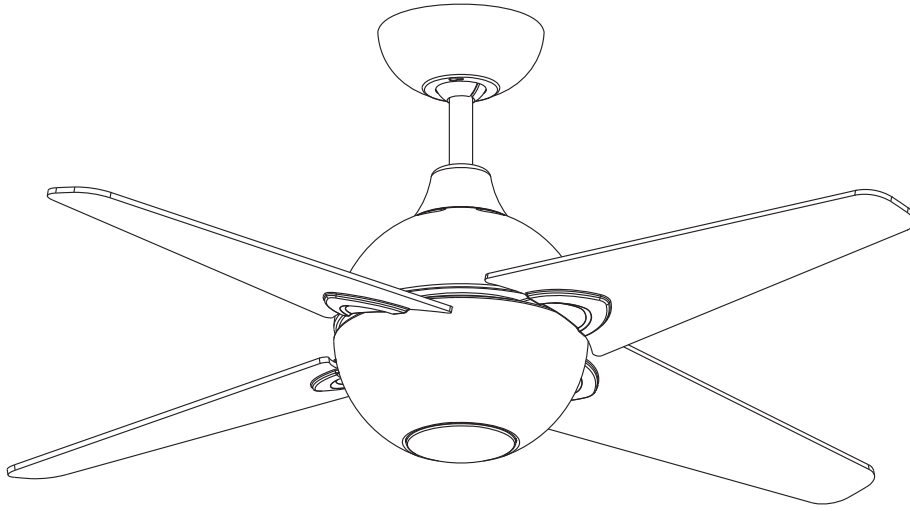


Owners Manual



Spectrum

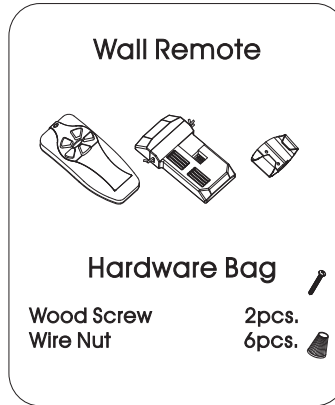
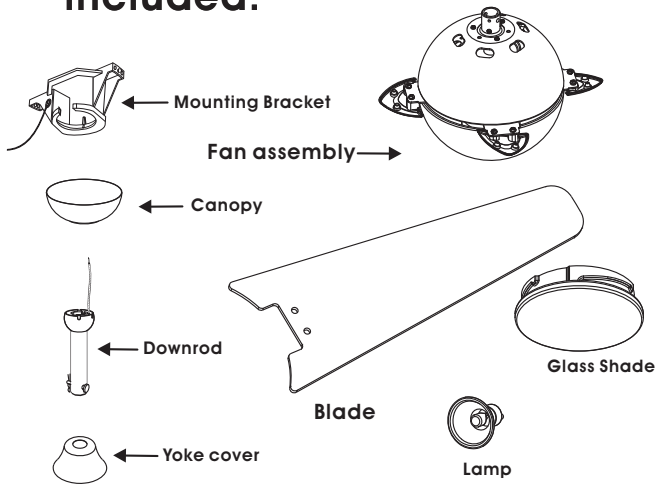
WARNING :
READ AND SAVE THESE INSTRUCTIONS. Follow these instructions carefully and be mindful of all warnings shown throughout.

READ AND SAVE THESE INSTRUCTIONS

WARNING : TO REDUCE THE RISK OF FIRE, ELECTRICAL SHOCK, OR INJURY TO PERSONS, PLEASE OBSERVE THE FOLLOWING :

- 1]. To ensure the success of the installation, be sure to read the instructions and review the diagrams thoroughly before beginning.
- 2]. To avoid possible electric shock, be sure electricity is turned off at the main power box before wiring. All electrical connections must be made in accordance with local codes, ordinances and/or the National Electric Code. If you are unfamiliar with the methods of installing electrical wiring and products, secure the services of a qualified and licensed electrician as well as someone who can check the strength of the supportive ceiling members and make the proper installations and connections.
- 3]. Make sure that your installation site will not allow rotating fan blades to come in contact with any object. Blades should be at least 7 feet from floor when fan is in operation.
- 4]. If possible, mount ceiling fan on a ceiling joist - the joist must be able to support the motion and weight of the moving fan. If the fan will be mounted on a ceiling outlet box, a 4" x 2-1/8" deep METAL octagon box is required ; one UL listed as " suitable for fan support ". The box and its supporting members must not be able to twist or work loose. **DO NOT USE PLASTIC BOXES.** Installation on a concrete ceiling should be performed by qualified personnel.
- 5]. Blades should be attached after motor housing is hung and in place. Fan motor housing should be kept in carton until ready to be installed to protect its finish. If you are installing more than one ceiling fan, make sure that you do not mix fan blade sets.
- 6]. After making electrical connections, spliced conductors should be turned upward and pushed carefully up into outlet box. The wires should be spread apart with the grounded conductor and the equipment - grounding conductor on one side of the outlet box and the " HOT " wires on the other side.
- 7]. Electrical diagrams are for reference only.
- 8]. After fan is completely installed, check to make sure that all connections are secure to prevent fan from falling and/or causing damage or injury.
- 9]. The fan can be made to work immediately after installation - the bearings are adequately charged with grease. So that, under normal conditions, further lubrication should not be necessary.
- 10]. The fan must be turned off and stopped before reversing fan direction.
- 11]. This fan is suitable for indoor location only.

1. Unpack and inspect fan carefully to be certain all contents are included.



Hardware bag		
Mounting Screw	2pcs	
Spring Washer	2pcs	
Lock Washer	2pcs	
Wood Screw	2pcs	
Tooth Washer	2pcs	
Wire nuts (For 120V Only)	3pcs	
Blade Balance Kits	1 pcs	
Blade Screw	9 pcs	
Paper Washer	9 pcs	

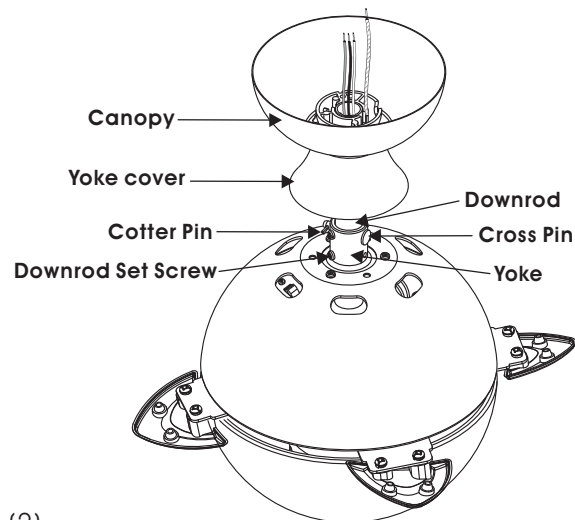
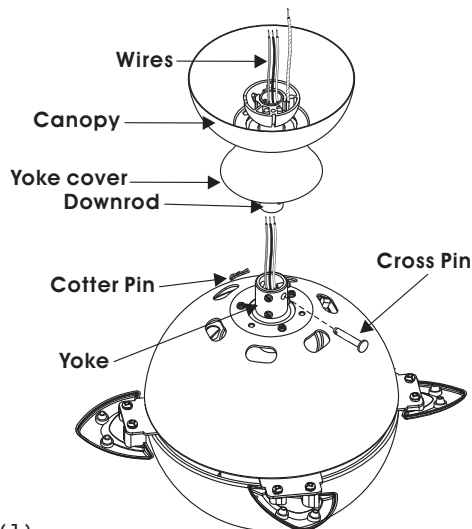
2.
Turn off power at breaker box to avoid possible electrical shock.

3.
Use metal outlet box suitable for fan support. Secure outlet box directly to the building structure using wood screws (included). Outlet box must support 40 lbs min.

4.
Install mounting bracket to Outlet box in ceiling using washers and the mounting screws provided with the outlet box.

Do not use existing mounting bracket, replace it with new mounting bracket from box.

5. Yoke & Downrod Assembly

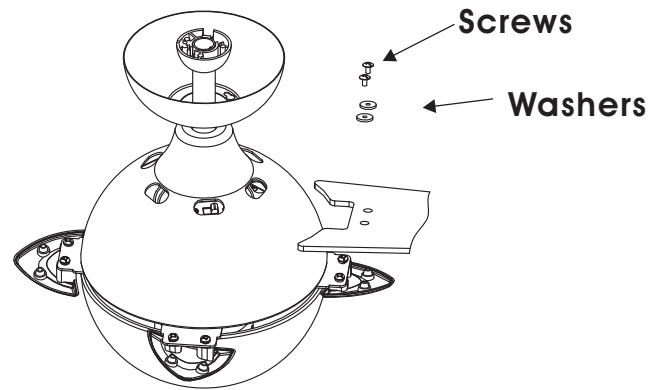


(1)
Feed motor lead wires through yoke cover, canopy and downrod and insert downrod into yoke.

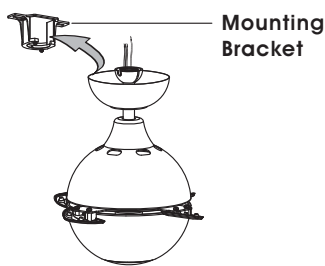
(2)
Insert the cross pin through yoke & downrod and secure with cotter pin.
(3)
Tighten both downrod set screws to further secure downrod, then pull down the yoke cover to cover yoke.

6. Blade Installation

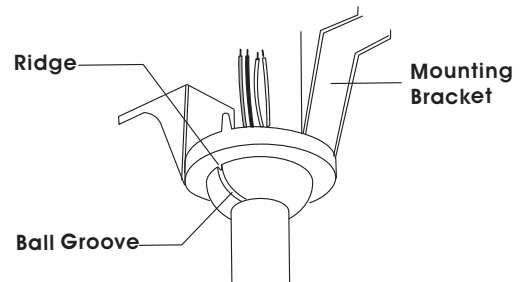
Attach blade to decorating cap with screws & washers provided in hardware bag. Make sure that all screws are firmly tightened.



7. Hanging the Fan



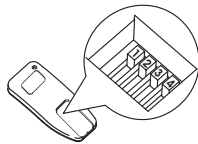
Lift fan assembly onto mounting bracket.



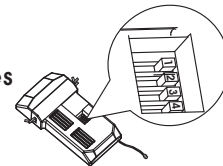
Carefully lift fan assembly onto mounting bracket. Rotate fan so that the groove on the ball engages the ridge in the mounting bracket.

8. Make Wire Connection

Transmitter Code Switches



Receiver Code Switches



Install remote control receiver into mounting bracket and make wire connection.

This unit has 16 different code combinations.

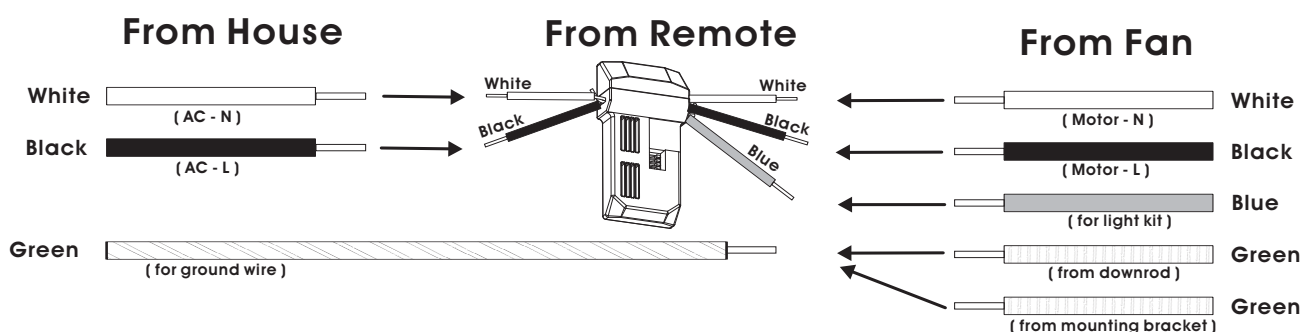
1. Setting the code on the TRANSMITTER

- Remove battery cover.
- Slide code switches to your choice of ON or OFF position. Use a small screwdriver or ball point pen to slide each switch firmly up or down.
- Install 9V DC battery (not included).
- Install battery cover on transmitter.

2. Slide code switches to be the SAME POSITIONS as set on your receiver.

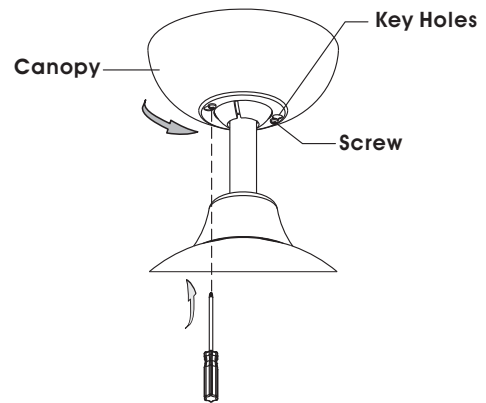
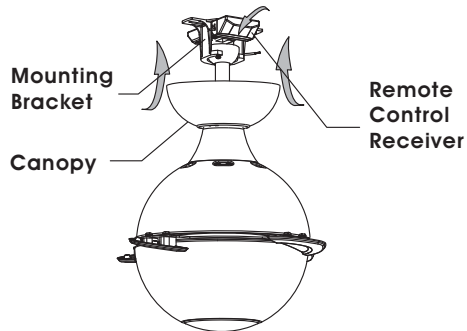
9a. Make wire connection - (for 100~127VAC/60Hz)

Follow diagram below and make sure that all exposed wires are secured inside wire nuts or terminal block. Note : Wires from house may vary in color and may not include ground wire (green). After wiring is completed, gently push wires into junction box with wire nuts pointing upward.

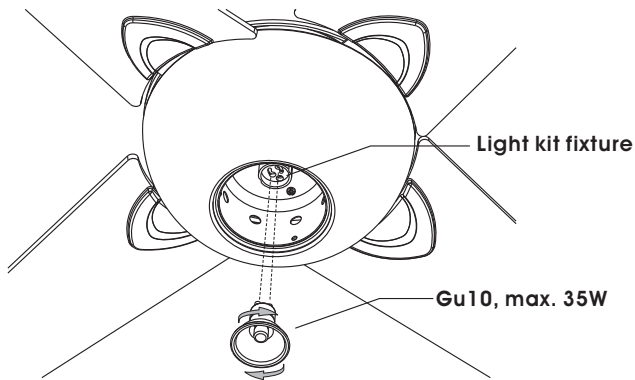


10. Canopy installation

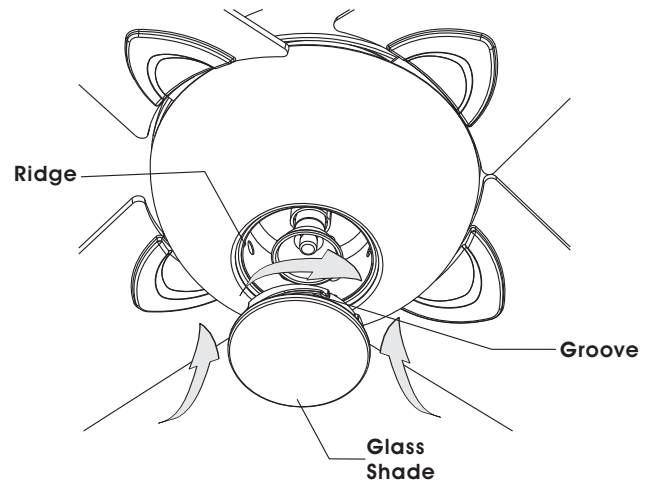
1. Push up the Canopy until the two screws on mounting bracket are engaged with Key Holes in canopy.
2. Rotate the canopy slightly until the two screw heads are in the small end of the Key Holes.
3. Tighten both screws.



11. Lamp Holder Installation



Attach & rotate down bulbs (GU10, max.35W x1 not included) clock wisely to light kit fixture.



Attach & rotate down glass shade clock wisely to light kit pan.

12. Turn the power on - your fan is ready for operation.