

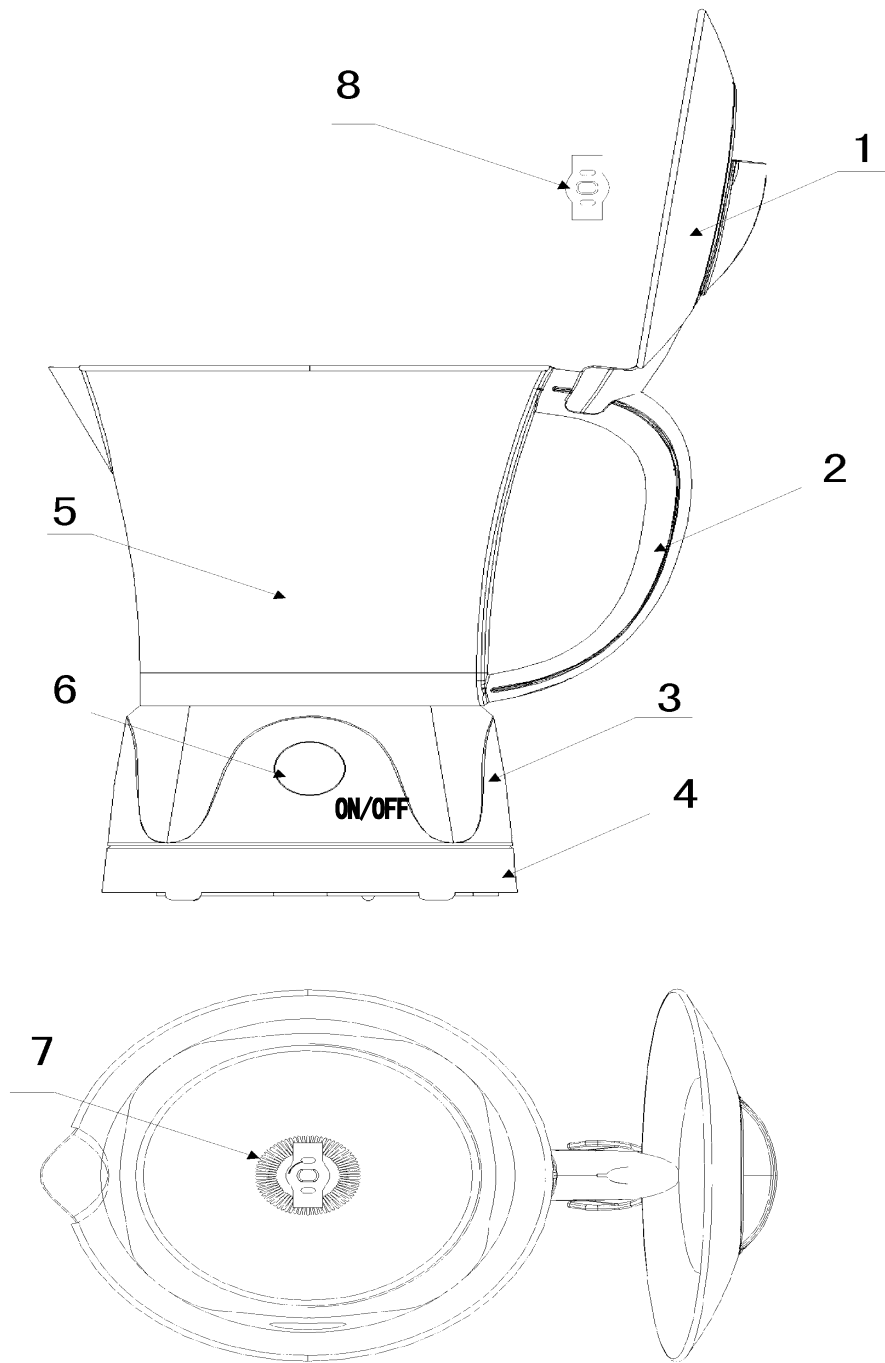
kogan

External Milk Frother

KACOFNESD

USER MANUAL





- 1. Lid
- 2. Handle
- 3. Base
- 4. Bottom
- 5. Housing
- 6. Power switch
- 7. Stir set
- 8. Stir bracket

IMPORTANT SAFEGUARDS

When using electrical appliances, basic safety precautions should be always be followed.

1. Read all instructions.
2. To protect against electrical hazards, do not immerse cord, plugs, or the appliance in water or other liquids.
3. Close supervision is necessary when any appliance is used by or near children.
4. Unplug from power outlet when not in use and before cleaning. Allow to cool before putting attaching or unattaching parts, and also before cleaning the appliance.
5. Do not operate any appliance with a damaged cord or plug ,or after the appliance has malfunctioned, or has been damaged in any manner.
6. Do not use outdoors.
7. Do not let cord plug over edge of table or counter, or to touch hot surfaces.
8. Do not place near a hot gas or electric burner, or in a heated oven.
9. Extreme caution must be used when moving an appliance.
10. Always attach plug to appliance first, then plug cord into the wall outlet. To disconnect, turn controls to "Off", and then remove plug from wall outlet.
11. CAUTION: This appliance generates heat during use. Proper precaution must be taken to prevent the risk of burns, fires or other damage to persons or properties.
12. Do not leave unit unattended while in use.
13. This appliance is for Household Use Only. Do not use appliance for other than intended use.
14. To reduce the risk of electric shock, cook only in the removable ceramic pot.

SAVE THESE INSTRUCTIONS

THIS PRODUCT IS FOR HOUSEHOLD USE ONLY.

OPERATION:

A. To prepare and make the milk froth

1. Open the plastic lid.
2. Pour the fresh milk into the jug to a level between the max. level and the min. level.
3. Plug the power cord into the power supply and press the power switch. Light will illuminate.
4. The bottom heating plate will generate heat and the stir net will rotate.
5. The milk inside will be swiveled and heat up.
6. After a short period of time (about 1 min.) when the milk has reached the pre-set temperature of 80 degree cel. unit will stop stirring and heating. Milk will be heated and frothed at this point.

B. To warm the milk

Replace the **stir net** with the **stir bracket** and follow the above instructions.
The desired hot milk to be prepared.

CAUTION:

- * Do not immerse the appliance in water or other liquids. There is a danger of electric shock.
- * Do not use any aggressive or abrasive cleaning agents, nor any sharp objects (such as knives or hard brushes) when cleaning.

TECHNICAL SPECIFICATIONS:

Power : 550w
Main voltage : 230V ~ 50Hz
Capacity : Min. 0.3L / Max. 0.8L

ENVIRONMENT:

When you are ready to dispose of the appliance, remove the plug from the wall socket, and cut the power cord. Keep the appliance and its parts out of reach of children. Deliver the unit to an approved collection point for small electrical appliances.

Dispose of package materials such as plastic and cardboard in the appropriate manner.