

DENON

RCD-M39
CD RECEIVER

Getting Started

Welcome

Thank you for choosing a DENON CD receiver. This guide provides step-by-step instructions for setting up your CD receiver.

If you have setup problems:

If you need additional help in solving problems, contact DENON customer service in your area.

See the address sheet included in the box.

1-855-MY.DENON

1-855-693-3666

Call for Assistance: 9:00AM to 8:00PM M-F E.S.T.

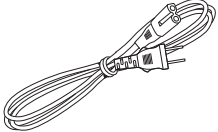
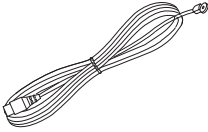
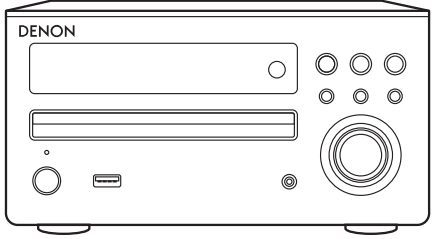
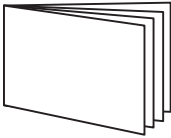
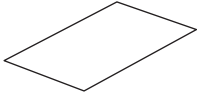
For frequency asked questions please visit

www.usa.denon.com/FAQ

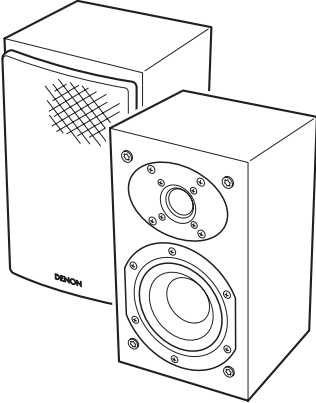
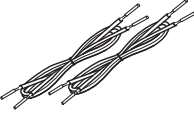
For US and Canada only

Before You Begin

What's In the Box

 <p>Remote control unit</p>	 <p>R03/AAA batteries</p>	 <p>Power cord</p>	 <p>FM indoor antenna</p>
 <p>CD Receiver</p>		 <p>Getting Started</p>	 <p>Service network list</p>
 <p>Safety Instructions</p>	 <p>Warranty (for North America model only)</p>	 <p>Owner's Manual</p>	

What's In the Box (SC-M39)

 <p>Speaker SC-M39</p>	 <p>Speaker cables</p>
---	---



Note that the illustrations in this manual is for explanation purposes and may differ from the actual unit.

Setup Steps

There are five steps to the setup process.

1 Install batteries in the remote control unit

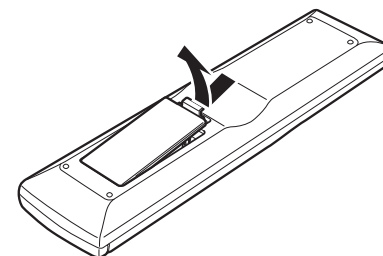
2 Connect the speakers

3 Connect the power cable

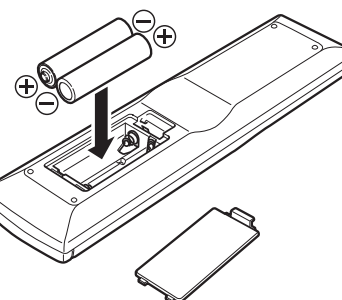
4 Turn the power on

5 Begin CD playback

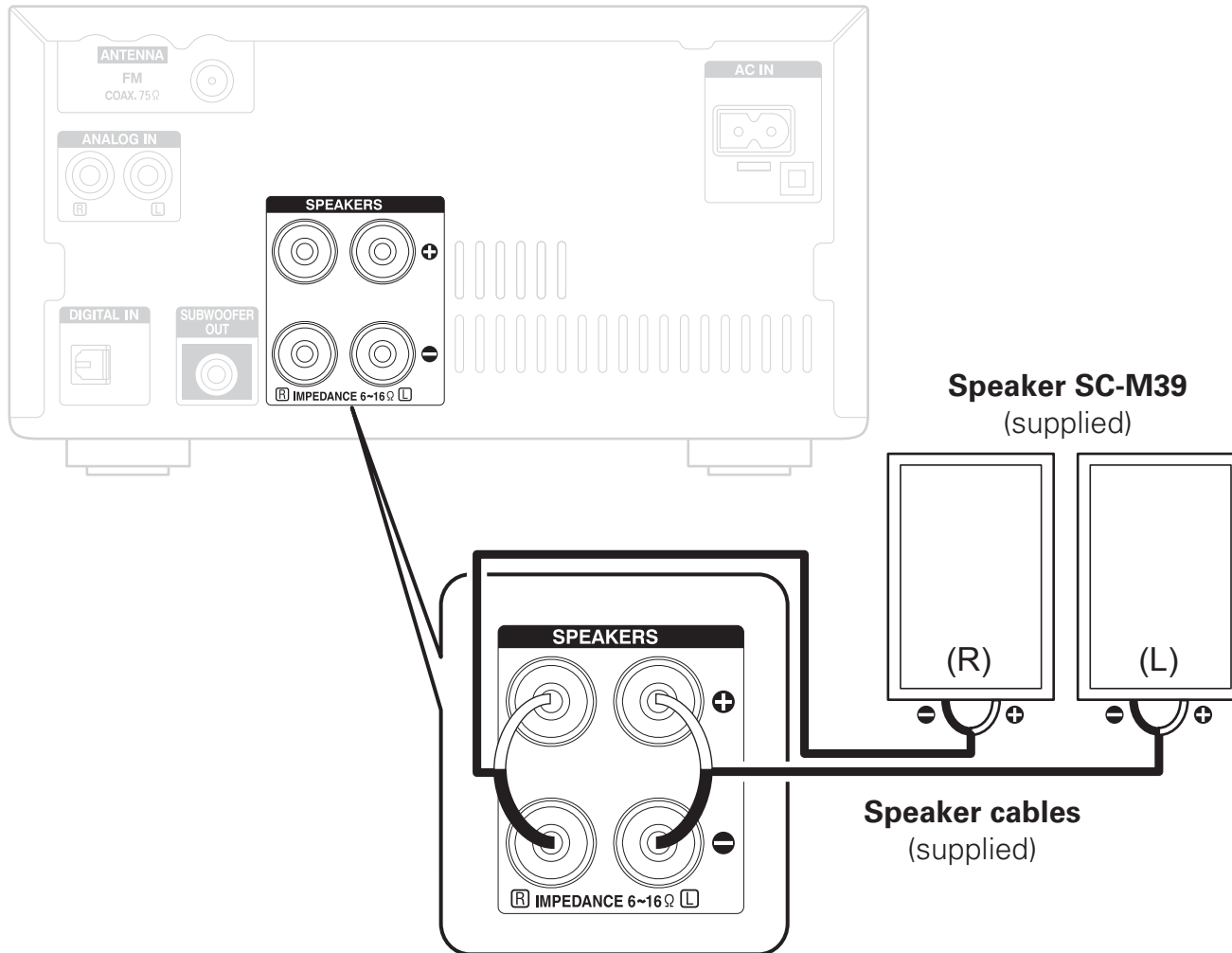
1 Install batteries in the remote control unit



R03/AAA
batteries

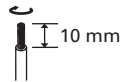


2 Connect the speakers



Connecting the speaker cables

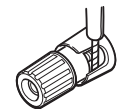
- ① Peel off about 10 mm of sheathing from the tip, then twist the wire core.



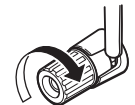
- ② Loosen the speaker terminal.



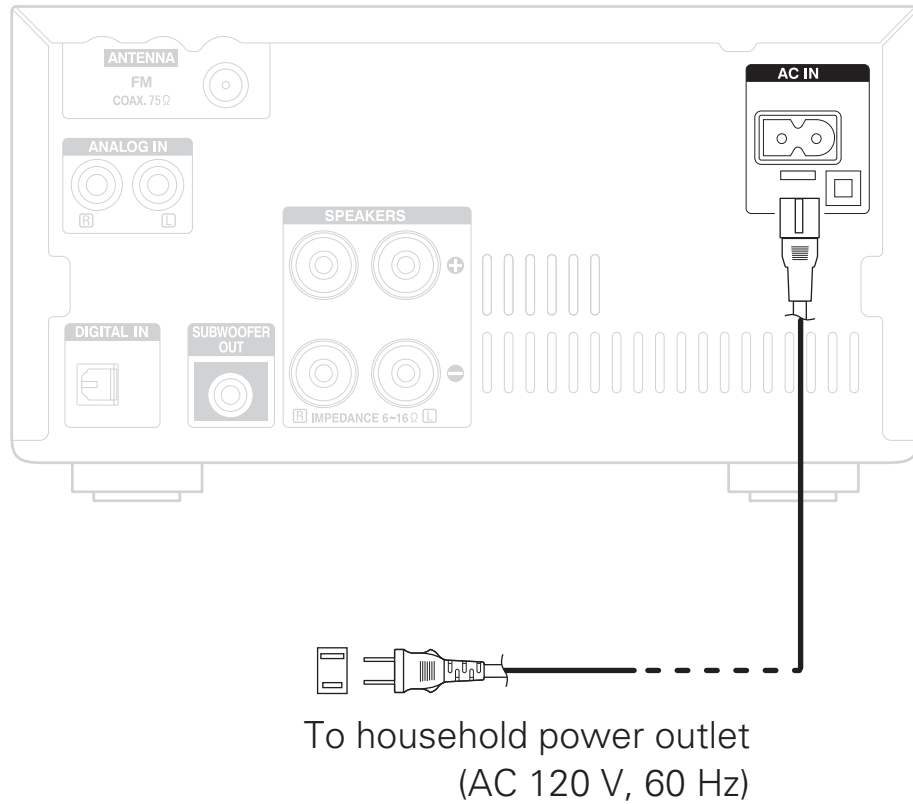
- ③ Insert the speaker cable into the speaker terminal.



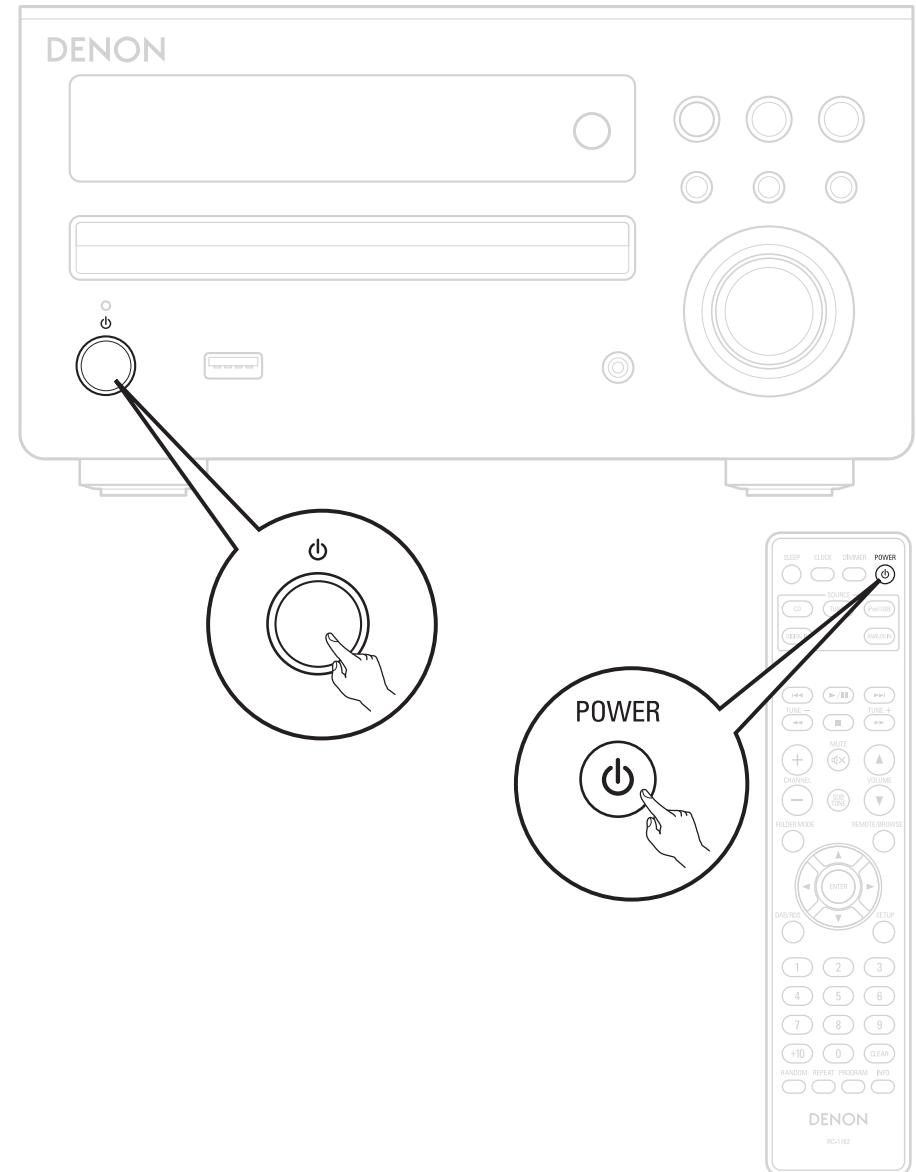
- ④ Tighten the speaker terminal.



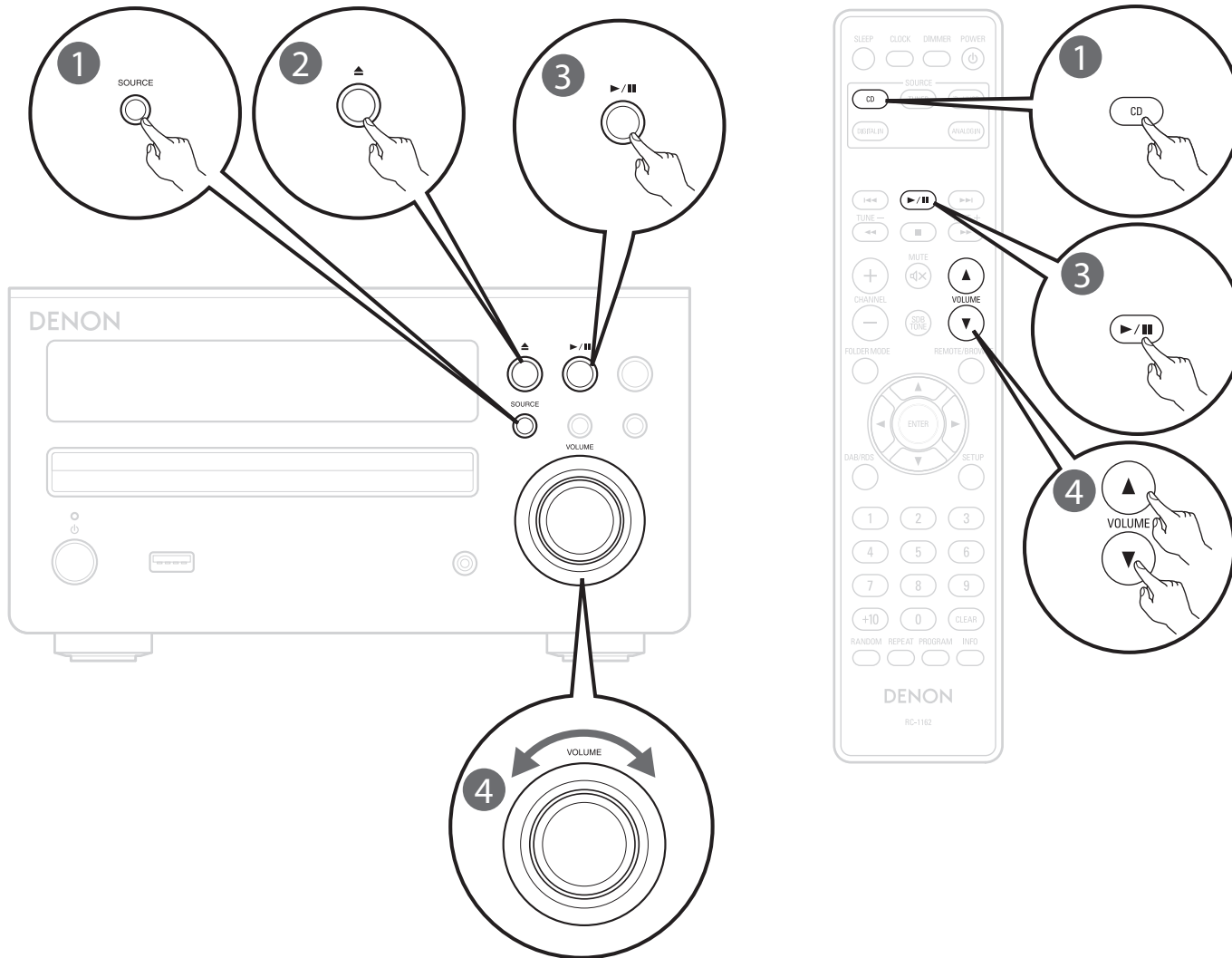
3 Connect the power cable



4 Turn the power on

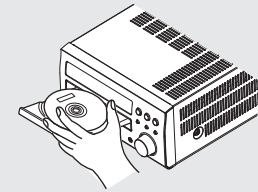


5 Begin CD playback



1 Set the input source to “CD”.

2 Insert a disc.



3 Press ►/||.

4 Adjust the volume.

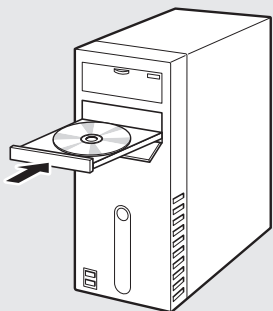
Owner's Manual

The included CD-ROM contains an Adobe PDF version of the full owner's manual for the CD receiver. Please reference this manual for more details about the setup and operation of the CD receiver and its features.

NOTE

The contents of the included CD-ROM cannot be viewed using this player.

1 Insert the disc into your PC.



2 Follow the screen or double click on the PDF file.

