

# USER MANUAL

**Model:**

**CDA-CV20, 1:2 Component Video DA**



**For maximum results, use Comprehensive Brand Premium High Resolution cables and connectors.**

## Contents

<b>1</b>	<b>Introduction</b>	<b>1</b>
<b>2</b>	<b>Getting Started</b>	<b>1</b>
<b>3</b>	<b>Overview</b>	<b>1</b>
<b>4</b>	<b>Your CDA-CV20 1:2 Component Video DA</b>	<b>2</b>
<b>5</b>	<b>Connecting Your CDA-CV20 1:2 Component Video DA</b>	<b>3</b>
<b>6</b>	<b>Technical Specifications</b>	<b>4</b>

## Figures

Figure 1: CDA-CV20 1:2 Component Video DA	2
Figure 2: Connecting a CDA-CV20	3

## Tables

Table 1: Features and Functions of the CDA-CV20 1:2 Component Video DA	2
Table 2: Technical Specifications of the CDA-CV20 1:2 Component Video DA	4

## 1 Introduction

Congratulations on purchasing your **CDA-CV20 1:2 Component Video DA**, which is ideal for:

- Component video signal distribution
- Video duplication studios, delivering undiminished quality duplicates

The package includes the following items:

- **CDA-CV20 1:2 Component Video DA**
- Power adapter (12V DC input) and this user manual

## 2 Getting Started

We recommend that you:

- Unpack the equipment carefully and save the original box and packaging materials for possible future shipment
- Review the contents of this user manual

## 3 Overview

The **CDA-CV20 1:2 Component Video DA** is a high quality 1:2 distributor for component video (Y, Pb/Cb, Pr/Cr) signals that accepts one input and distributes the signal to two identical outputs using RCA connectors. In particular, the **CDA-CV20**:

- Is HDTV compatible
- Has a bandwidth of 500MHz
- Is 12VDC fed

To achieve the best performance:

- Connect only good quality connection cables, thus avoiding interference, deterioration in signal quality due to poor matching, and elevated noise-levels (often associated with low quality cables)
- Avoid interference from neighboring electrical appliances and position your machine away from moisture, excessive sunlight and dust



**Caution** – No operator-serviceable parts inside unit.

**Warning** – Use only the input power wall adapter that is provided with this unit.

**Warning** – Disconnect power and unplug unit from wall before installing or removing device or servicing unit.

## 4 Your CDA-CV20 1:2 Component Video DA

Figure 1 and Table 1 define the **CDA-CV20 1:2 Component Video DA**:

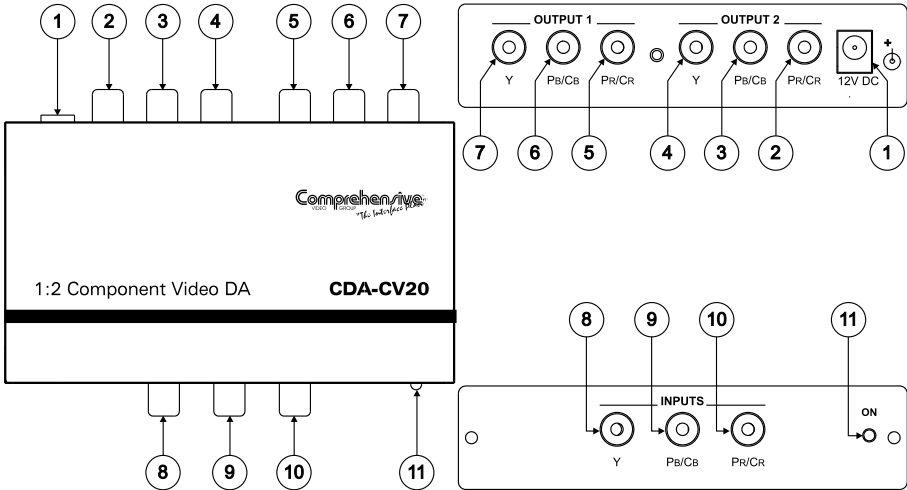


Figure 1: CDA-CV20 1:2 Component Video DA

Table 1: Features and Functions of the CDA-CV20 1:2 Component Video DA

#	Feature	Function
1	12V DC	+12V DC connector for powering the unit
2	OUTPUT 2	Pr/Cr RCA Connector
3		Pb/Cb RCA Connector
4		Y RCA Connector
	Connect to the component acceptor 2	
5	OUTPUT 1	Pr/Cr RCA Connector
6		Pb/Cb RCA Connector
7		Y RCA Connector
	Connect to the component acceptor 1	
8	INPUTS	Y RCA Connector
9		Pb/Cb RCA Connector
10		Pr/Cr RCA Connector
	Connect to the component source	
11	ON LED	Illuminates when receiving power

## 5 Connecting Your CDA-CV20 1:2 Component Video DA

To connect a **CDA-CV20**, as the example in Figure 2 illustrates, do the following<sup>1</sup>:

1. Connect a component video source (for example, a DVD player) to the Y, PB/CB, and PR/CR INPUT RCA connectors.
2. Connect the two sets of OUTPUT (Y, PB/CB, and PR/CR) RCA connectors<sup>2</sup> to up to two component video acceptors (for example, a display and a projector).
3. Connect the 12V DC power adapter (wall transformer) to the 12V DC socket and connect the transformer to the mains electricity.

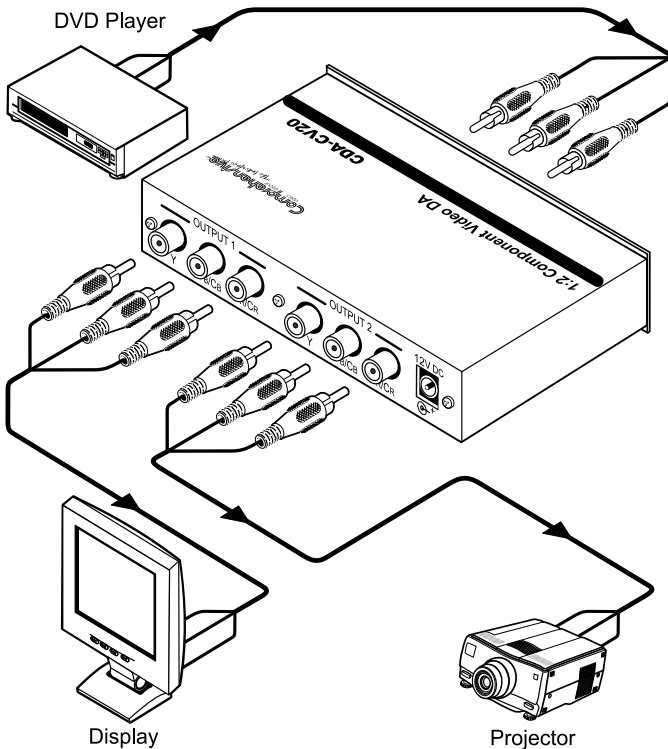


Figure 2: Connecting a CDA-CV20

---

1 Switch OFF the power on each device before connecting it to your CDA-CV20. After connecting your CDA-CV20, switch on its power and then switch on the power on each device

2 When only one output is required, connect only that output, and leave the other output unconnected

---

## 6 Technical Specifications

Table 2 includes the technical specifications:

Table 2: *Technical Specifications<sup>1</sup> of the CDA-CV20 1:2 Component Video DA*

INPUT:	1 component video (Y, PB/CB, PR/CR, or Y, U, V) on RCA connectors, 1Vpp/75Ω
OUTPUTS:	2 component video (Y, PB/CB, PR/CR, or Y, U, V) on RCA connectors, 1Vpp/75Ω
MAX. OUTPUT LEVEL:	2.4Vpp
BANDWIDTH (-3dB):	500MHz
DIFF. GAIN:	0.03%
DIFF. PHASE:	0.03%
K-FACTOR:	<0.05%
S/N RATIO:	73dB weighted
CROSSTALK (all hostile):	-58dB @ 5MHz
COUPLING:	DC
POWER SOURCE:	12 VDC, 71mA
DIMENSIONS:	12cm x 7.5cm x 2.5cm (4.7" x 0.98" x 2.95"), W, D, H
WEIGHT:	0.3kg. (0.66lbs.)
ACCESSORIES:	Power supply, mounting bracket

---

<sup>1</sup> Specifications are subject to change without notice