

Millenium

MPS-150
e-drum module



Musikhaus Thomann
Thomann GmbH
Hans-Thomann-Straße 1
96138 Burgebrach
Germany
Telephone: +49 (0) 9546 9223-0
E-mail: info@thomann.de
Internet: www.thomann.de

26.10.2015, ID: 360221

Table of contents

1	General information	5
	1.1 Further information.....	6
	1.2 Notational conventions.....	7
	1.3 Symbols and signal words.....	9
2	Safety instructions	11
3	Features	14
4	Installation	15
5	Connections and operating elements	18
6	Operating	23
	6.1 Functions.....	23
	6.2 Demo song.....	25
	6.3 Playing and adjusting patterns.....	25
	6.4 Selecting and adjusting drum kits.....	28
	6.5 Click (metronome) set up and use.....	33
	6.6 Menu overview.....	37

7	Technical specifications.....	38
8	Plug and connection assignment.....	40
9	Cleaning.....	42
10	Protecting the environment.....	43
11	Appendix.....	44
11.1	Voice list.....	44
11.2	Kit list.....	48
11.3	Pattern list.....	49
11.4	MIDI implementation.....	51
11.5	General MIDI Backing Instrument List.....	54
11.6	General MIDI Drum Kit List.....	62

1 General information

This manual contains important instructions for the safe operation of the unit. Read and follow the safety instructions and all other instructions. Keep the manual for future reference. Make sure that it is available to all those using the device. If you sell the unit please make sure that the buyer also receives this manual.

Our products are subject to a process of continuous development. Thus, they are subject to change.

1.1 Further information

On our website (www.thomann.de) you will find lots of further information and details on the following points:

Download	This manual is also available as PDF file for you to download.
Keyword search	Use the search function in the electronic version to find the topics of interest for you quickly.
Online guides	Our online guides provide detailed information on technical basics and terms.
Personal consultation	For personal consultation please contact our technical hotline.
Service	If you have any problems with the device the customer service will gladly assist you.

1.2 Notational conventions

This manual uses the following notational conventions:

Letterings

The letterings for connectors and controls are marked by square brackets and italics.

Examples: *[VOLUME]* control, *[Mono]* button.

Displays

Texts and values displayed on the device are marked by quotation marks and italics.

Examples: *'24ch'*, *'OFF'*.

Instructions

The individual steps of an instruction are numbered consecutively. The result of a step is indented and highlighted by an arrow.

Example:

1. ▶ Switch on the device.
2. ▶ Press *[Auto]*.
 - ⇒ Automatic operation is started.
3. ▶ Switch off the device.

Cross-references


References to other locations in this manual are identified by an arrow and the specified page number. In the electronic version of the manual, you can click the cross-reference to jump to the specified location.

Example: See ↗ *'Cross-references'* on page 8.

1.3 Symbols and signal words

In this section you will find an overview of the meaning of symbols and signal words that are used in this manual.

Signal word	Meaning
DANGER!	This combination of symbol and signal word indicates an immediate dangerous situation that will result in death or serious injury if it is not avoided.
CAUTION!	This combination of symbol and signal word indicates a possible dangerous situation that can result in minor injury if it is not avoided.
NOTICE!	This combination of symbol and signal word indicates a possible dangerous situation that can result in material and environmental damage if it is not avoided.

Warning signs	Type of danger
	Warning – danger zone.

2 Safety instructions

Intended use

Drum modules are intended to be used for converting digital trigger signals from drum pads to various percussion sounds. Use the unit only as described in this manual. Any other use or use under other operating conditions is considered to be improper and may result in personal injury or property damage. No liability will be assumed for damages resulting from improper use.

This device may be used only by persons with sufficient physical, sensorial, and intellectual abilities and having corresponding knowledge and experience. Other persons may use this device only if they are supervised or instructed by a person who is responsible for their safety.

Safety



DANGER!

Danger for children

Ensure that plastic bags, packaging, etc. are disposed of properly and are not within reach of babies and young children. Choking hazard!

Ensure that children do not detach any small parts (e.g. knobs or the like) from the unit. They could swallow the pieces and choke!

Never let children unattended use electrical devices.



CAUTION!

Possible hearing damage

With loudspeakers or headphones connected, the device can produce volume levels that may cause temporary or permanent hearing impairment.

Do not operate the device permanently at a high volume level. Decrease the volume level immediately if you experience ringing in your ears or hearing impairment.



NOTICE!

Operating conditions

This device has been designed for indoor use only. To prevent damage, never expose the device to any liquid or moisture. Avoid direct sunlight, heavy dirt, and strong vibrations.



NOTICE!

External power supply

The device is powered by an external power supply. Before connecting the external power supply, ensure that the input voltage (AC outlet) matches the voltage rating of the device and that the AC outlet is protected by a residual current circuit breaker. Failure to do so could result in damage to the device and possibly the user.

Unplug the external power supply before electrical storms occur and when the device is unused for long periods of time to reduce the risk of electric shock or fire.

3 Features

- 108 voices
- 10 preprogrammed drum kits
- 40 preprogrammed songs
- Metronome
- Flexible assignment of pad voices
- Reverb effect, voice tuning
- Individual adjustment of accompaniment and drum track
- Connections for headphones, AUX, USB and MIDI

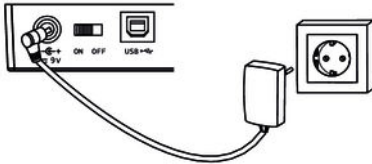
4 Installation

Setup, connecting pads and pedals

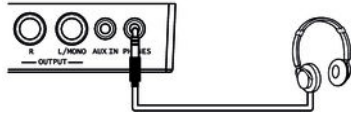
Setup and assembly of the pads and pedals are described in detail in the enclosed assembly guide. Finally, check that all connecting cables are correctly connected between the pads and the drum module.

Connecting the power adapter

Connect the included power adapter to the 9V connector of the unit and then plug the power adapter into a wall outlet.

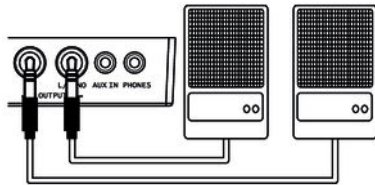


Connecting headphones



Connect your stereo headphones to the PHONES output of the drum module.

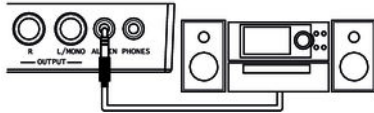
Connecting audio devices



Connect the inputs of your amplifier or active monitors to the OUTPUT sockets of the drum module. If you use a mono amplifier, connect its input to the output L / MONO socket of the module.

Connecting a CD or MP3 player

Connect your CD or MP3 player to the input socket AUX IN of the drum module.

**Connecting MIDI devices**

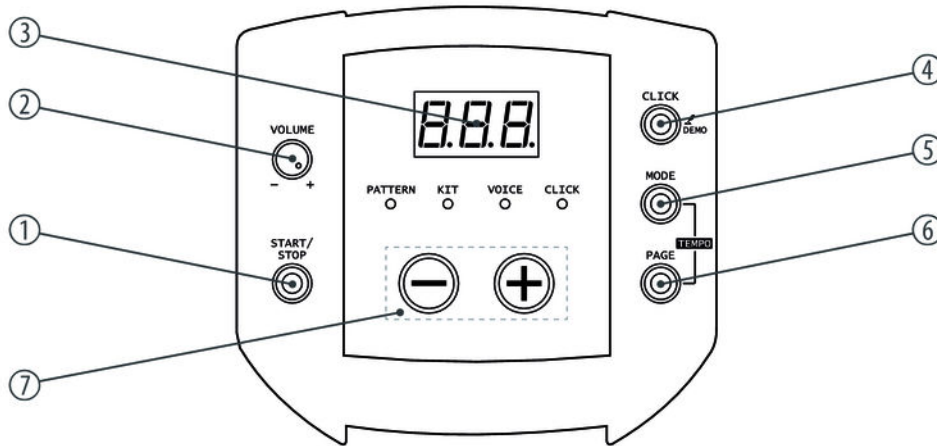
Connect external MIDI devices to the MIDI OUT socket of the drum module.

Connecting USB devices

Connect external MIDI devices or your computer to the USB port of the drum module.

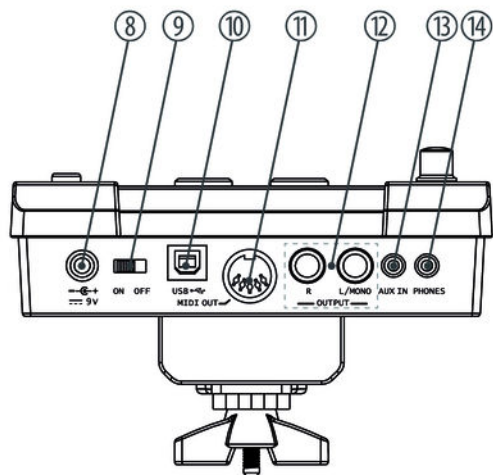
5 Connections and operating elements

Front panel



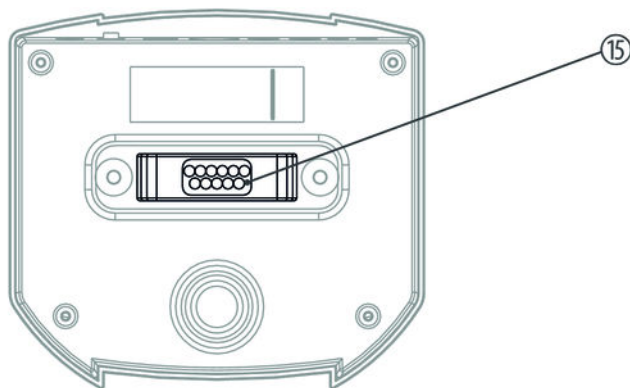
1	<i>[START / STOP]</i> Button to start and stop song playback.
2	<i>[VOLUME]</i> Volume control for audio and headphones output.
3	3-digit LED display.
4	<i>[CLICK] [DEMO]</i> Button to turn the metronome on and off and to play the demo song.
5	<i>[MODE]</i> Button to open the selection menu.
6	<i>[PAGE]</i> Button to scroll through the open menu.
7	<i>[+] / [-]</i> Increases or decreases the currently displayed value.

Rear panel



8	<i>[9V]</i> Connection socket for the power adapter.
9	<i>[ON / OFF]</i> Main switch to turn the device on and off.
10	<i>[USB]</i> Connection socket for USB cable.
11	<i>[MIDI OUT]</i> Connection socket for an external MIDI device to send MIDI commands.
12	<i>[OUTPUT – R / L/MONO]</i> Output for external audio devices (mono / stereo).
13	<i>[AUX IN]</i> Input for external audio devices like MP3 or CD players.
14	<i>[PHONES]</i> Connection socket for headphones.

Bottom



15

Multiple socket for connecting the pads.

6 Operating

6.1 Functions

Switching on



Check all cable connections for correct fit before turning on.

Before switching on, turn the volume control [VOLUME] to minimum.

Turn the drum module on using the main switch [ON/OFF] on the rear side of the unit.



Automatic shutoff

- *When the device is not used it automatically shuts off after 30 minutes. To turn it back on set the on / off switch to 'OFF' and then to 'ON' again.*

Disabling automatic shutoff

- *To disable the automatic shut-off, press and keep the button [START / STOP] pressed while turning the device on.
The message 'PoF' appears in the display.*

Adjusting the volume

To adjust the volume strike a pad while turning the volume control [VOLUME] slowly clockwise.

6.2 Demo song

To play the preprogrammed demo piece, proceed as follows:

1. ▶ Press *[CLICK]* for about two seconds.
 - ⇒ The preprogrammed demo song sounds, 'dE' appears on the display.
2. ▶ Stop playback with *[START / STOP]*.

6.3 Playing and adjusting patterns

Selecting patterns

Your digital drum set features a total of 40 preprogrammed patterns. Pattern '001' is displayed by default when the drum module is turned on.

1. ▶ Press *[MODE]* repeatedly until the LED *[PATTERN]* lights up.
 - ⇒ The display shows the pattern number.
2. ▶ Use the buttons *[-]* and *[+]* to select the desired pattern (see ↗ *Chapter 11.3 'Pattern list' on page 49*).

Playing patterns

1. ▶ Select the desired pattern as described above.
2. ▶ Start and stop playback with *[START / STOP]*.

Adjusting pattern volume

1. ▶ Press *[MODE]* repeatedly until the LED *[PATTERN]* lights up.
⇒ The display shows the pattern number.
2. ▶ Press *[PAGE]*.
⇒ The pattern volume appears in 'Axx' format on the display.
3. ▶ Adjust the volume using the buttons *[-]* and *[+]* in a range from 00 to 32.
The setting is automatically stored.

Adjusting drum volume

1. ▶ Press *[MODE]* repeatedly until the LED *[PATTERN]* lights up.
⇒ The display shows the pattern number.

2. ▶ Press *[PAGE]*.
⇒ The drum volume appears in 'dxx' format on the display.
3. ▶ Adjust the volume using the buttons *[-]* and *[+]* in a range from 00 bis 32.
The setting is automatically stored.

Adjusting playback speed

1. ▶ Simultaneously press *[MODE]* and *[PAGE]*
⇒ The display shows the playback speed.
2. ▶ Adjust the playback speed using the buttons *[-]* and *[+]* (setting range: 30 to 280 beats per minute).
The setting is automatically stored.

6.4 Selecting and adjusting drum kits

You can select one of the preprogrammed drum kits. The preprogrammed voices of the drum module can be programmed to any of the connected pads.

Selecting a drum kit

To select a certain drum kit, proceed as follows:

1. ▶ Press *[MODE]* repeatedly until the LED *[KIT]* lights up.
⇒ The display shows the kit number.
2. ▶ Use the buttons *[-]* and *[+]* to select the desired kit (see ↗ *Chapter 11.2 'Kit list' on page 48*).

The setting is automatically stored.

Adjusting kit volume

1. ▶ Press *[MODE]* repeatedly until the LED *[KIT]* lights up.
⇒ The display shows the kit number.

2. ▶ Press *[PAGE]*.
 - ⇒ The kit volume appears in 'Lxx' format on the display.
3. ▶ Adjust the volume using the buttons *[-]* and *[+]* in a range from 00 bis 32.
The setting is automatically stored.

Turning Reverb on / off

To turn the Reverb effect on or off, proceed as follows:

1. ▶ Press *[MODE]* repeatedly until the LED *[KIT]* lights up.
 - ⇒ The display shows the kit number.
2. ▶ Press *[PAGE]*.
 - ⇒ The current Reverb setting appears in the display ('roN': on or 'roF': off).
3. ▶ Change the setting using the buttons *[-]* and *[+]*.
The setting is automatically stored.

Assigning a Voice

To programme a certain Voice for a pad, proceed as follows:

- 1.** ➤ Press *[MODE]* repeatedly until the LED *[VOICE]* lights up.
- 2.** ➤ Hit the respective pad to activate it.
 - ⇒ The display shows the number of the currently assigned Voice.
- 3.** ➤ Select the desired Voice using the buttons *[-]/[+]* (see [🔗 Chapter 11.1 'Voice list' on page 44](#)).

The setting is automatically stored.



Only Voices from group 1 – group 4 can be assigned to a Hi-Hat. The display shows 'H-I'.

Adjusting Voice volume

You have the option to adjust the volume of each voice independently. To do so proceed as follows:

1. ▶ Press *[MODE]* repeatedly until the LED *[VOICE]* lights up.
2. ▶ Hit the respective pad to activate it.
⇒ The Voice volume appears in 'Lxx' format on the display.
3. ▶ Adjust the volume using the buttons *[-]/[+]* (setting range: 0 to 32).
The setting is automatically stored.

Adjusting assigned MIDI note

You have the option to change the MIDI note assigned to a pad. To do so proceed as follows:

1. ▶ Press *[MODE]* repeatedly until the LED *[VOICE]* lights up.
2. ▶ Hit the respective pad to activate it.
 - ⇒ The number assigned to the MIDI note appears in 'Nxx' format on the display.
3. ▶ Adjust the number using the buttons *[-]/[+]* (setting range: 0 to 99).

The setting is automatically stored.



The following table shows the MIDI mapping in default setting.

No.	Name	Assigned MIDI note
1	Crash 1	49
2	Tom 1	48
3	Tom 2	45
4	Tom 3	43

No.	Name	Assigned MIDI note
5	Ride	51
6	Kick	36
7	Snare	38
8	Hi-Hat close	42
9	Hi-Hat open	46
10	Hi-Hat pedal	44

6.5 Click (metronome) set up and use

Using Click function

1.  Press *[CLICK]* to turn the Click on.
⇒ The LED *[CLICK]* flashes in step, the Click sounds.
2.  Press again *[CLICK]* to turn the Click off.

Setting the time signature

1. ▶ Press *[MODE]* repeatedly until the LED *[CLICK]* lights up.
2. ▶ Press *[PAGE]*.
 - ⇒ The time signature appears on the display, for example '4-4'.
3. ▶ Choose the time signature using the buttons *[-]* and *[+]* from a selection of 1/4 to 7/4, 3/8 and 6/8.

The setting is automatically stored.

Click tempo and time signature are automatically adjusted when playing patterns and can not be changed.

Setting Click interval

- 1.** ▶ Press *[MODE]* repeatedly until the LED *[CLICK]* lights up.
- 2.** ▶ Press *[PAGE]*.
⇒ The Click interval appears on the display, for example ‘--4’.
- 3.** ▶ Select the Click interval using the buttons *[-]* and *[+]*. Possible values are: 1/4, 1/8, 1/12, 1/16, 1/24, default value: 1/4.
The setting is automatically stored.

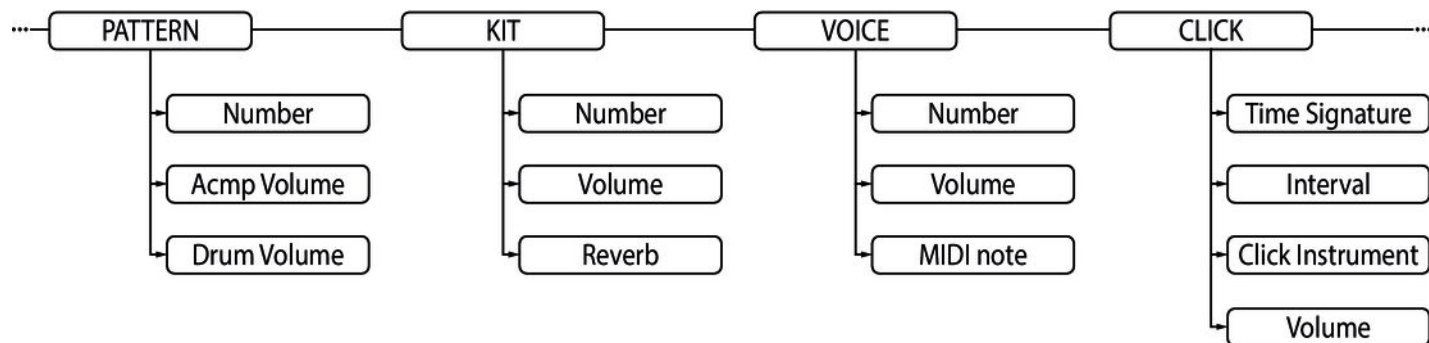
Setting the Click sound

- 1.** ▶ Press *[MODE]* repeatedly until the LED *[CLICK]* lights up.
- 2.** ▶ Press *[PAGE]*.
⇒ The set sound, the so-called ‘click instrument’ is displayed in ‘CLx’ format.
- 3.** ▶ Use the buttons *[-]* and *[+]* to select the sound. Possible values are: CL1 – CL5, default value: CL1.
The setting is automatically stored.

Setting the Click volume

- 1.** ▶ Press *[MODE]* repeatedly until the LED *[CLICK]* lights up.
- 2.** ▶ Press *[PAGE]*.
⇒ The set volume appears on the display, for example 'L24'.
- 3.** ▶ Adjust the volume using the buttons *[-]* and *[+]* in a range from 0 bis 32.
The setting is automatically stored.

6.6 Menu overview



7 Technical specifications

Number of voices	108
Drum kits	10 preset kits
Songs	40 Songs

<p>Connections</p>	<p>Headphones (1/4" phone socket) AUX in (1/4" phone socket) Left mono out (1/4" phone socket) Stereo out right / left (1/4" phone socket) 1 × Kick pad 1 × Snare pad 3 × Tom pads 1 × Crash pad 1 × Ride pad 1 × Hi-Hat 1 × Hi-Hat control MIDI out USB port</p>
<p>Operating supply voltage</p>	<p>Power adapter (9 V \Rightarrow)</p>

8 Plug and connection assignment

Introduction

This chapter will help you select the right cables and plugs to connect your valuable equipment in such a way that a perfect sound experience is ensured.

Please note these advices, because especially in 'Sound & Light' caution is indicated: Even if a plug fits into the socket, an incorrect connection may result in a destroyed power amp, a short circuit or 'just' in poor transmission quality!

Balanced and unbalanced transmission

Unbalanced transmission is mainly used in semi-professional environment and in hifi use. Instrument cables with two conductors (one core plus shielding) are typical representatives of the unbalanced transmission. One conductor is ground and shielding while the signal is transmitted through the core.

Unbalanced transmission is susceptible to electromagnetic interference, especially at low levels, such as microphone signals and when using long cables.

In a professional environment, therefore, the balanced transmission is preferred, because this enables an undisturbed transmission of signals over long distances. In addition to the conductors 'Ground' and 'Signal', in a balanced transmission a second core is added. This also transfers the signal, but phase-shifted by 180°.

Since the interference affects both cores equally, by subtracting the phase-shifted signals, the interfering signal is completely neutralized. The result is a pure signal without any noise interference.

1/4" TS phone plug (mono, unbalanced)



1	Signal
2	Ground, shielding

1/4" TRS phone plug (mono, balanced)



1	Signal (in phase, +)
2	Signal (out of phase, -)
3	Ground

9 Cleaning

Device parts

Clean the accessible parts of the device regularly. The frequency of cleaning depends on the operating environment: moist, smoky or particularly dirty environments may cause a higher accumulation of dirt on the components of the device.

- Use a dry soft cloth for cleaning.
- Remove stubborn stains with a slightly damp cloth.
- Never use cleaners containing alcohol or thinner.
- Never put any vinyl items on the device, as vinyl can stick to the surface or lead to its discolouration.

10 Protecting the environment

Disposal of the packaging material



For the transport and protective packaging, environmentally friendly materials have been chosen that can be supplied to normal recycling.

Ensure that plastic bags, packaging, etc. are properly disposed of.

Do not just dispose of these materials with your normal household waste, but make sure that they are collected for recycling. Please follow the notes and markings on the packaging.

Disposal of your old device



This product is subject to the European Waste Electrical and Electronic Equipment Directive (WEEE). Do not dispose with your normal household waste.

Dispose of this device through an approved waste disposal firm or through your local waste facility. When discarding the device, comply with the rules and regulations that apply in your country. If in doubt, consult your local waste disposal facility.

11 Appendix

11.1 Voice list

No.	Name	No.	Name	No.	Name
KICK		009	Jazz Kick 1	017	Classic Snare 2
001	Standard Kick 1	010	Jazz Kick 2	018	Classic Snare Rim 2
002	Standard Kick 2	011	Electronic Kick	019	Room Snare 1
003	Room Kick	012	808 Kick	020	Room Snare 2
004	Rock Kick 1	013	House Kick 1	021	Acoustic Snare
005	Rock Kick 2	014	House Kick 2	022	Acoustic Snare Rim
006	Acoustic Kick	SNARE		023	Funk Band Snare
007	HipHop Kick	015	Classic Snare 1	024	Funk Band Rim
008	Funk Kick	016	Classic Snare Rim 1	025	Camco Snare

No.	Name	No.	Name	No.	Name
026	Camco Snare Rim	038	Classic Tom 5	051	808 Tom 6
027	Brush Snare	039	Classic Tom 6	052	Electronic Tom 1
028	Brush Snare Rim	040	Camco Tom 1	053	Electronic Tom 2
029	Electronic Snare 1	041	Camco Tom 2	054	Electronic Tom 3
030	Electronic Snare 2	042	Camco Tom 3	055	Electronic Tom 4
031	808 Snare	043	Camco Tom 4	056	Electronic Tom 5
032	House Snare 1	044	Camco Tom 5	057	Electronic Tom 6
033	House Snare 2	045	Camco Tom 6	RIDE	
TOM		046	808 Tom 1	058	Classic Ride
034	Classic Tom 1	047	808 Tom 2	059	Classic Ride Bell
035	Classic Tom 2	048	808 Tom 3	060	Rock Ride
036	Classic Tom 3	049	808 Tom 4	061	808 Ride
037	Classic Tom 4	050	808 Tom 5		

No.	Name	No.	Name	No.	Name
CRASH		073	Standard Hi-hat Close	085	Conga Low
062	Standard Crash 1	074	Jazz Hi-hat Close	086	Timbale High
063	Standard Crash 2	075	Electronic Hi-hat Close	087	Timbale Low
064	Rock Crash	076	808 Hi-hat Close	088	Agogo High
065	Splash 1	077	Standard Hi-hat Pad	089	Agogo Low
066	Splash 2	078	Jazz Hi-hat Pad	090	Cabasa
067	Brush Crash	079	Electronic Hi-hat Pad	091	Maracas
068	808 Crash	080	808 Hi-hat Pad	092	Short Whistle
HI-HAT		PERCUSSION		093	Long Whistle
069	Standard Hi-hat Open	081	Bongo High	094	Short Guiro
070	Jazz Hi-hat Open	082	Bongo Low	095	Long Guiro
071	Electronic Hi-hat Open	083	Mute Conga Hi-hat	096	Claves
072	808 Hi-hat Open	084	Open Conga Hi-hat	097	Wood Block High

No.	Name	
098	Wood Block Low	
099	Mute Cuica	
100	Open Cuica	
101	Mute Triangle	
102	Open Triangle	
103	Shaker	
104	Jingle Bell	
105	Belltree	
106	Castanets	
107	Mute Surdo	
108	Open Surdo	

11.2 Kit list

No.	Name
001	Acoustic
002	Standard 1
003	Rock
004	Standard 2
005	Funk
006	Jazz
007	Brush
008	Electronic
009	808
010	House

11.3 Pattern list

No.	Name	Tempo	Kit	No.	Name	Tempo	Kit
001	Fusion 1	103	1	011	Funk 3	120	5
002	Electronic & Funk	116	9	012	Fusion 3	108	1
003	Modern Pop	136	1	013	Fusion 4	116	1
004	HipHop	110	9	014	Pop Funk 2	106	5
005	Latin Jazz 1	130	7	015	R&B	86	9
006	Funk 1	120	5	016	Drum & Bass 1	168	9
007	Big Band 1	170	6	017	Break Beat	108	5
008	Funk 2	112	1	018	Dance	130	9
009	Pop Funk 1	112	1	019	Drum & Bass 2	170	1
010	Fusion 2	112	1	020	Latin Dance	126	5

No.	Name	Tempo	Kit	No.	Name	Tempo	Kit
021	Swing	172	6	032	Mambo	126	5
022	Latin Jazz 2	126	7	033	Latin Rock	136	1
023	Big Band 2	152	6	034	Latin Pop	126	5
024	3/4 Jazz	120	7	035	Guitar Bossa	84	5
025	Jazz	150	7	036	Country Blues	128	3
026	6/8 Ballad	96	3	037	Rock	100	1
027	Pop Ballad	80	3	038	Reggae	78	1
028	Pop Bossa	120	2	039	60's Rock	120	2
029	16Beat Pop	120	5	040	Blues	96	2
030	Pop Shuffle	86	5	Demo	Funk	100	1
031	Samba	236	1				

11.4 MIDI implementation

Function		Transmitted	Recognized	Remarks
Basic channel	Default	Ch 10	1-16	
	Changed	No	No	
Mode	Default	No	No	
	Messages	No	No	
	Altered	*****	*****	
Note number		0...127	0...127	
	True voice	*****	0...127	
Velocity	Note ON	Yes (99H, V=1...127)	0...127	
	Note OFF	Yes (99H, V=0)	0...127	
Aftersustain	Keys	No	No	
	Channels	No	No	

Function		Transmitted	Recognized	Remarks
Pitch bender		No	Yes	
Control change	0	No	Yes	Bank select
	1	No	Yes	Modulation
	5	No	Yes	Portamento time
	6	No	Yes	Data entry
	7	No	Yes	Volume
	10	No	Yes	Pan
	11	No	Yes	Expression
	64	No	Yes	Sustain pedal
	65	No	Yes	Portamento ON/OFF
	66	No	Yes	Sostenuto pedal
	67	No	Yes	Soft pedal
	80	No	Yes	Reverb program

Function		Transmitted	Recognized	Remarks
	81	No	Yes	Chorus program
	91	No	Yes	Reverb level
	93	No	Yes	Chorus level
	120	No	Yes	All Sound Off
	121	No	Yes	Reset All Controllers
	123	No	Yes	All Notes Off
Program change		Yes	Yes	
System exclusive		No	Yes	
System common	Song Position	No	No	
	Song Select	No	No	
	Tune	No	No	
System real time	Clock	Yes	No	START and STOP only
	Command	Yes	No	

Function		Transmitted	Recognized	Remarks
Aux messages	Local ON/OFF	No	No	
	All Notes OFF	No	No	
	Active Sense	Yes	No	
	System reset	No	No	

11.5 General MIDI Backing Instrument List

No.	Name	No.	Name
Piano		Mallet	
1	Acoustic Grand Piano	9	Celesta
2	Bright Acoustic Piano	10	Glockenspiel
3	Electric Grand Piano	11	Music Box

No.	Name	No.	Name
4	Honky-Tonk Piano	12	Vibraphone
5	Electric Piano 1	13	Marimba
6	Electric Piano 2	14	Xylophone
7	Harpsichord	15	Tubular Bells
8	Clavi	16	Dulcimer

No.	Name	No.	Name
Organ		Guitar	
17	Drawbar Organ	25	Nylon Guitar
18	Percussive Organ	26	Steel Guitar
19	Rock Organ	27	Jazz Guitar
20	Church Organ	28	Clean Guitar

No.	Name	No.	Name
21	Reed Organ	29	Muted Guitar
22	Accordion	30	Overdriven Guitar
23	Harmonica	31	Distortion Guitar
24	Tango Accordion	32	Guitar Harmonics

No.	Name	No.	Name
Bass		Strings	
33	Acoustic Bass	41	Violin
34	Finger Bass	42	Viola
35	Pick Bass	43	Cello
36	Fretless Bass	44	Contrabass
37	Slap Bass 1	45	Tremolo Strings

No.	Name	No.	Name
38	Slap Bass 2	46	Pizzicato Strings
39	Synth Bass 1	47	Orchestral Harp
40	Synth Bass 2	48	Timpani

No.	Name	No.	Name
Strings Ensemble		Brass	
49	String Ensembles 1	57	Trumpet
50	String Ensembles 2	58	Trombone
51	Synth Strings 1	59	Tuba
52	Synth Strings 2	60	Muted Trumpet
53	Choir Aahs	61	French Horn
54	Voice Oohs	62	Brass Section

No.	Name	No.	Name
55	Synth Voice	63	Synth Brass 1
56	Orchestra Hit	64	Synth Brass 2

No.	Name	No.	Name
Reed		Pipe	
65	Soprano Sax	73	Piccolo
66	Alto Sax	74	Flute
67	Tenor Sax	75	Recorder
68	Baritone Sax	76	Pan Flute
69	Oboe	77	Blown Bottle
70	English Horn	78	Shakuhachi

No.	Name	No.	Name
71	Bassoon	79	Whistle
72	Clarinet	80	Ocarina

No.	Name	No.	Name
Synth Lead		Pad	
81	Lead 1 (square)	89	Pad 1 (new age)
82	Lead 2 (sawtooth)	90	Pad 2 (warm)
83	Lead 3 (calliope)	91	Pad 3 (polysynth)
84	Lead 4 (chiff)	92	Pad 4 (choir)
85	Lead 5 (charang)	93	Pad 5 (bowed)
86	Lead 6 (voice)	94	Pad 6 (metallic)

No.	Name	No.	Name
87	Lead 7 (fifths)	95	Pad 7 (halo)
88	Lead 8 (bass + lead)	96	Pad 8 (sweep)

No.	Name	No.	Name
Effects		Ethnic	
97	FX 1 (rain)	105	Sitar
98	FX 2 (soundtrack)	106	Banjo
99	FX 3 (crystal)	107	Shamisen
100	FX 4 (atmosphere)	108	Koto
101	FX 5 (brightness)	109	Kalimba
102	FX 6 (goblins)	110	Bagpipe

No.	Name	No.	Name
103	FX 7 (echoes)	111	Fiddle
104	FX 8 (sci-fi)	112	Shanai

No.	Name	No.	Name
Percussive		Sound Effects	
113	Tinkle Bell	121	Guitar Fret Noise
114	Agogo	122	Breath Noise
115	Steel Drums	123	Seashore
116	Wood Block	124	Bird Tweet
117	Taiko Drum	125	Telephone Ring
118	Melodic Tom	126	Helicopter

No.	Name	No.	Name
119	Synth Drum	127	Applause
120	Reverse Cymbal	128	Gunshot

11.6 General MIDI Drum Kit List

Note	Standard 1 (bank 0)	Standard 2 (bank 4)	Room (bank 8)	Rock (bank 16)	Funk (bank 17)
27 – D#1	High Q	<-	<-	<-	<-
28 – E1	Slap	<-	<-	<-	<-
29 – F1	Scratch Push	<-	<-	<-	<-
30 – F#1	Scratch Pull	<-	<-	<-	<-
31 – G1	Sticks	<-	<-	<-	<-
32 – G#1	Square Click	<-	<-	<-	<-

Note	Standard 1 (bank 0)	Standard 2 (bank 4)	Room (bank 8)	Rock (bank 16)	Funk (bank 17)
33 – A1	Metronome Click	<-	<-	<-	<-
34 – A#1	Metronome Bell	<-	<-	<-	<-
35 – B1	Acoustic Bass Drum	<-	Room Bass Drum 1	Rock Bass Drum 1	Funk Bass Drum 1
36 – C2	Standard 1 Bass Drum	Standard 2 Bass Drum	Room Bass Drum 2	Rock Bass Drum 2	Funk Bass Drum 2
37 – C#2	Side Stick	<-	<-	<-	<-
38 – D2	Standard 1 Snare	Standard 2 Snare	Room Snare	Rock Snare	Funk Snare
39 – D#2	Hand Clap	<-	<-	<-	<-
40 – E2	Standard 1 Snare Rim	Standard 2 Snare Rim	Room Snare Rim	Rock Snare Rim	Funk Snare Rim
41 – F2	Standard 1 Tom 6	Standard 2 Tom 6	Room Tom 6	Rock Tom 6	Funk Tom 6
42 – F#2	Standard 1 Hi-hat Close	Standard 2 Hi-hat Close	Room Hi-hat Close	Rock Hi-hat Close	Funk Hi-hat Close
43 – G2	Standard 1 Tom 5	Standard 2 Tom 5	Room Tom 5	Rock Tom 5	Funk Tom 5

Note	Standard 1 (bank 0)	Standard 2 (bank 4)	Room (bank 8)	Rock (bank 16)	Funk (bank 17)
44 – G#2	Standard 1 Hi-hat Pedal	Standard 2 Hi-hat Pedal	Room Hi-hat Pedal	Rock Hi-hat Pedal	Funk Hi-hat Pedal
45 – A2	Standard 1 Tom 4	Standard 2 Tom 4	Room Tom 4	Rock Tom 4	Funk Tom 4
46 – A#2	Standard 1 Hi-hat Open	Standard 2 Hi-hat Open	Room Hi-hat Open	Rock Hi-hat Open	Funk Hi-hat Open
47 – B2	Standard 1 Tom 3	Standard 2 Tom 3	Room Tom 3	Rock Tom 3	Funk Tom 3
48 – C3	Standard 1 Tom 2	Standard 2 Tom 2	Room Tom 2	Rock Tom 2	Funk Tom 2
49 – C#3	Standard 1 Crash 1	Standard 2 Crash 1	Room Crash 1	Rock Crash 1	Funk Crash 1
50 – D3	Standard 1 Tom 1	Standard 2 Tom 1	Room Tom 1	Rock Tom 1	Funk Tom 1
51 – D#3	Standard 1 Ride	Standard 2 Ride	Room Ride	Rock Ride	Funk Ride
52 – E3	Chinese Cymbal 1	<-	<-	<-	<-
53 – F3	Ride Bell	<-	Room Ride Bell	Rock Ride Bell	<-
54 – F#3	Tambourine	<-	<-	<-	<-
55 – G3	Splash Cymbal	<-	Room Splash Cymbal	Rock Splash Cymbal	<-

Note	Standard 1 (bank 0)	Standard 2 (bank 4)	Room (bank 8)	Rock (bank 16)	Funk (bank 17)
56 – G#3	Standard 1 Cowbell	Standard 2 Cowbell	Room Cowbell	Rock Cowbell	<-
57 – A3	Standard 1 Crash 2	Standard 2 Crash 2	Room Crash 2	Rock Crash 2	Funk Crash 2
58 – A#3	Vibra-slap	<-	<-	<-	<-
59 – B3	Ride Cymbal	<-	<-	<-	<-
60 – C4	Hi Bongo	<-	<-	<-	<-
61 – C#4	Low Bongo	<-	<-	<-	<-
62 – D4	Mute Hi Conga	<-	<-	<-	<-
63 – D#4	Open Hi Conga	<-	<-	<-	<-
64 – E4	Low Conga	<-	<-	<-	<-
65 – F4	High Timbale	<-	<-	<-	<-
66 – F#4	Low Timbale	<-	<-	<-	<-
67 – G4	High Agogo	<-	<-	<-	<-
68 – G#4	Low Agogo	<-	<-	<-	<-

Note	Standard 1 (bank 0)	Standard 2 (bank 4)	Room (bank 8)	Rock (bank 16)	Funk (bank 17)
69 – A4	Cabasa	<-	<-	<-	<-
70 – A#4	Maracas	<-	<-	<-	<-
71 – B4	Short Whistle	<-	<-	<-	<-
72 – C5	Long Whistle	<-	<-	<-	<-
73 – C#5	Short Guiro	<-	<-	<-	<-
74 – D5	Long Guiro	<-	<-	<-	<-
75 – D#5	Claves	<-	<-	<-	<-
76 – E5	Hi Wood Block	<-	<-	<-	<-
77 – F5	Low Wood Block	<-	<-	<-	<-
78 – F#5	Mute Cuica	<-	<-	<-	<-
79 – G5	Open Cuica	<-	<-	<-	<-
80 – G#5	Mute Triangle	<-	<-	<-	<-
81 – A5	Open Triangle	<-	<-	<-	<-

Note	Standard 1 (bank 0)	Standard 2 (bank 4)	Room (bank 8)	Rock (bank 16)	Funk (bank 17)
82 – A#5	Shaker	<-	<-	<-	<-
83 – B5	Jingle Bell	<-	<-	<-	<-
84 – C6	Bell Tree	<-	<-	<-	<-
85 – C#6	Castanets	<-	<-	<-	<-
86 – D6	Mute Surdo	<-	<-	<-	<-
87 – D#6	Open Surdo	<-	<-	<-	<-

Note	Electronic (bank 24)	808 (bank 25)	House (bank 28)	Jazz (bank 32)	Brush (bank 40)
27 – D#1	<-	<-	<-	<-	<-
28 – E1	<-	<-	<-	<-	<-
29 – F1	<-	<-	<-	<-	<-
30 – F#1	<-	<-	<-	<-	<-

Note	Electronic (bank 24)	808 (bank 25)	House (bank 28)	Jazz (bank 32)	Brush (bank 40)
31 – G1	<-	<-	<-	<-	<-
32 – G#1	<-	<-	<-	<-	<-
33 – A1	<-	<-	<-	<-	<-
34 – A#1	<-	<-	<-	<-	<-
35 – B1	Electronic Bass Drum 1	808 Bass Drum 1	House Bass Drum 1	Jazz Bass Drum 1	Brush Bass Drum 1
36 – C2	Electronic Bass Drum 2	808 Bass Drum 2	House Bass Drum 2	Jazz Bass Drum 2	Brush Bass Drum 2
37 – C#2	<-	<-	<-	<-	<-
38 – D2	Electronic Snare	808 Snare	House Snare	Jazz Snare	Brush Snare
39 – D#2	<-	<-	House Hand Clap	<-	<-
40 – E2	Electronic Snare Rim	808 Snare Rim	House Snare Rim	Jazz Snare Rim	Brush Snare Rim
41 – F2	Electronic Tom 6	808 Tom 6	House Tom 6	Jazz Tom 6	Brush Tom 6

Note	Electronic (bank 24)	808 (bank 25)	House (bank 28)	Jazz (bank 32)	Brush (bank 40)
42 – F#2	Electronic Hi-hat Close	808 Hi-hat Close	House Hi-hat Close	Jazz Hi-hat Close	<-
43 – G2	Electronic Tom 5	808 Tom 5	House Tom 5	Jazz Tom 5	Brush Tom 5
44 – G#2	Electronic Hi-hat Pedal	808 Hi-hat Pedal	House Hi-hat Pedal	Jazz Hi-hat Pedal	<-
45 – A2	Electronic Tom 4	808 Tom 4	House Tom 4	Jazz Tom 4	Brush Tom 4
46 – A#2	Electronic Hi-hat Open	808 Hi-hat Open	House Hi-hat Open	Jazz Hi-hat Open	<-
47 – B2	Electronic Tom 3	808 Tom 3	House Tom 3	Jazz Tom 3	Brush Tom 3
48 – C3	Electronic Tom 2	808 Tom 2	House Tom 2	Jazz Tom 2	Brush Tom 2
49 – C#3	<-	808 Crash 1	<-	<-	Brush Crash 1
50 – D3	Electronic Tom 1	808 Tom 1	House Tom 1	Jazz Tom 1	Brush Tom 1
51 – D#3	<-	<-	<-	Jazz Ride	Brush Ride
52 – E3	<-	<-	<-	<-	<-

Note	Electronic (bank 24)	808 (bank 25)	House (bank 28)	Jazz (bank 32)	Brush (bank 40)
53 – F3	<-	<-	<-	<-	<-
54 – F#3	<-	<-	<-	<-	<-
55 – G3	<-	<-	<-	<-	<-
56 – G#3	<-	<-	<-	<-	<-
57 – A3	<-	808 Crash 2	<-	ChineseCymbal 2	Brush Crash 2
58 – A#3	<-	<-	<-	<-	<-
59 – B3	<-	<-	<-	<-	<-
60 – C4	<-	<-	<-	<-	<-
61 – C#4	<-	<-	<-	<-	<-
62 – D4	<-	808 Mute Hi Conga	<-	<-	<-
63 – D#4	<-	808 Open Hi Conga	<-	<-	<-
64 – E4	<-	808 Low Conga	<-	<-	<-
65 – F4	<-	<-	<-	<-	<-

Note	Electronic (bank 24)	808 (bank 25)	House (bank 28)	Jazz (bank 32)	Brush (bank 40)
66 – F#4	<-	<-	<-	<-	<-
67 – G4	<-	<-	<-	<-	<-
68 – G#4	<-	<-	<-	<-	<-
69 – A4	<-	<-	<-	<-	<-
70 – A#4	<-	808 Maracas	<-	<-	<-
71 – B4	<-	<-	<-	<-	<-
72 – C5	<-	<-	<-	<-	<-
73 – C#5	<-	<-	<-	<-	<-
74 – D5	<-	<-	<-	<-	<-
75 – D#5	<-	808 Claves	<-	<-	<-
76 – E5	<-	<-	<-	<-	<-
77 – F5	<-	<-	<-	<-	<-
78 – F#5	<-	<-	<-	<-	<-

Note	Electronic (bank 24)	808 (bank 25)	House (bank 28)	Jazz (bank 32)	Brush (bank 40)
79 – G5	<-	<-	<-	<-	<-
80 – G#5	<-	<-	<-	<-	<-
81 – A5	<-	<-	<-	<-	<-
82 – A#5	<-	<-	<-	<-	<-
83 – B5	<-	<-	<-	<-	<-
84 – C6	<-	<-	<-	<-	<-
85 – C#6	<-	<-	<-	<-	<-
86 – D6	<-	<-	<-	<-	<-
87 – D#6	<-	<-	<-	<-	<-

MPS-150



