

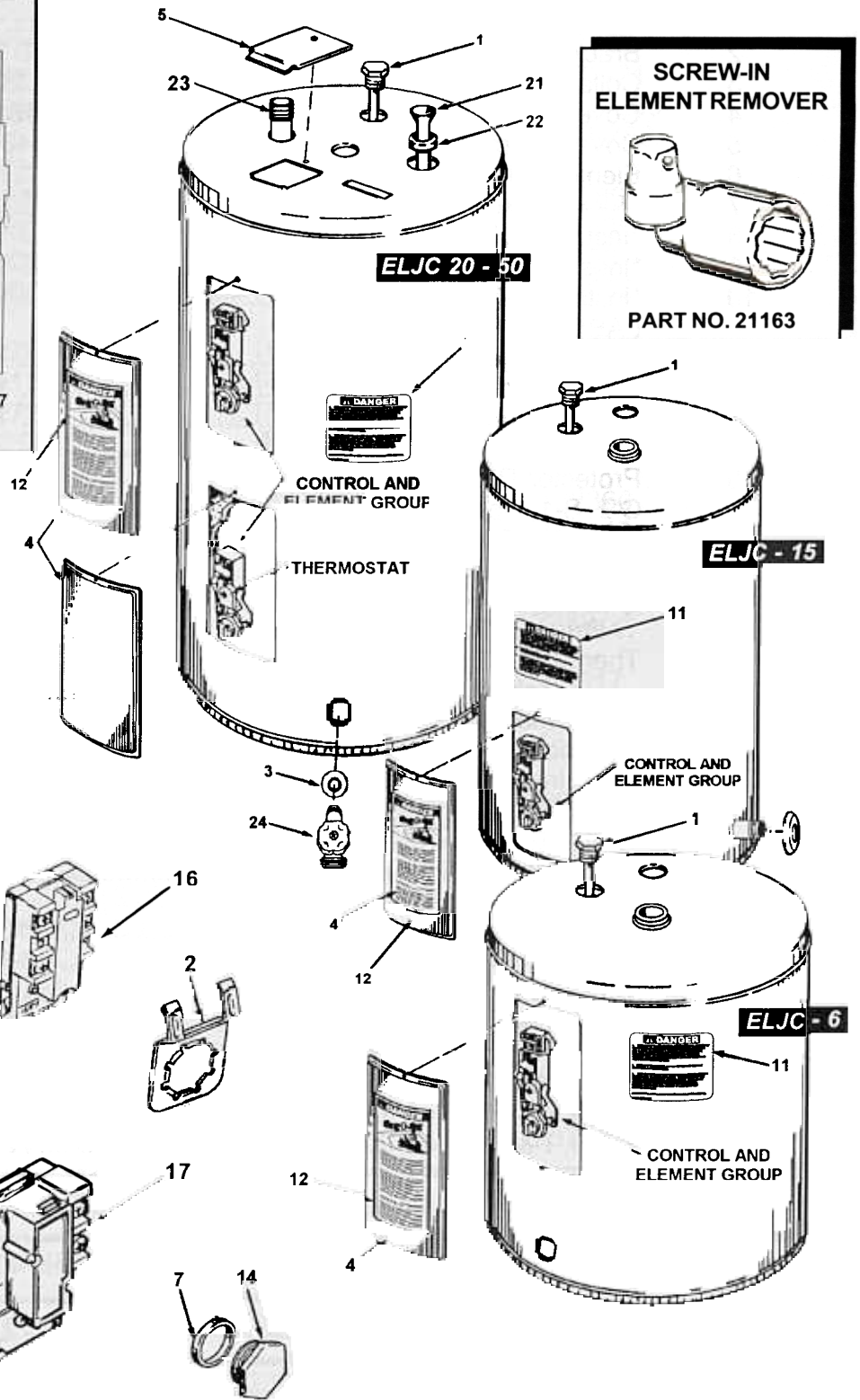
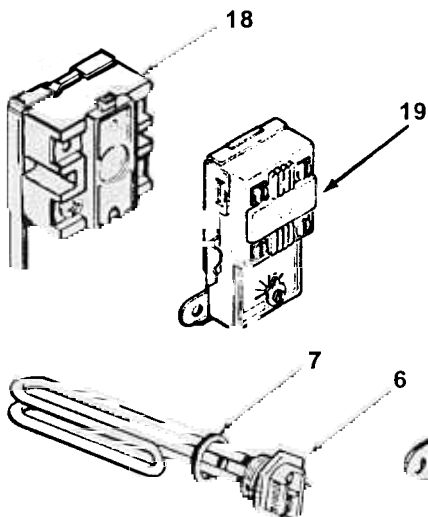
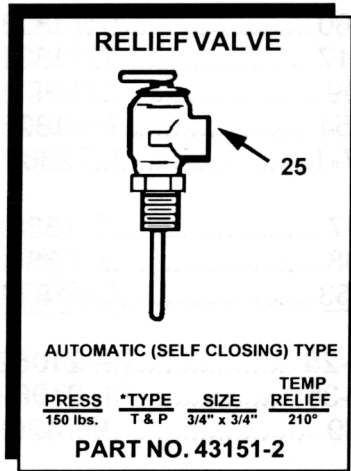
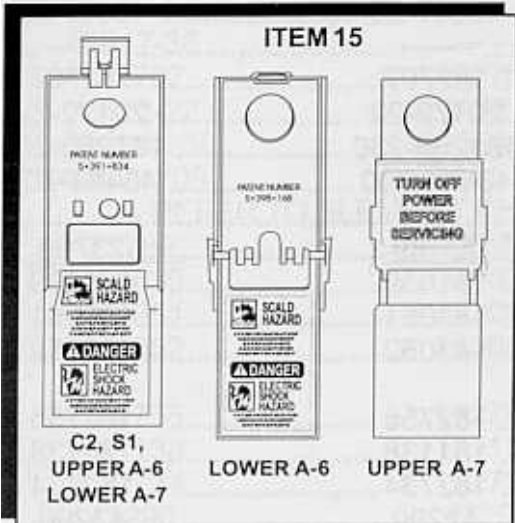
A.O. SMITH

WATER PRODUCTS COMPANY

ELECTRIC

PSD-1-748

RESIDENTIAL WATER HEATER PARTS LIST
 MODELS ELJC - 6 THRU 50
 SERIES 917



A.O. SMITH WATER PRODUCTS CO., INC.
 5621 W. 115TH STREET • ALSIP, ILLINOIS 60803
 PHONE: 1-800-433-2545 • FAX: 1-800-433-2515
 Website: WWW.HOTWATER.COM • EMAIL: PARTS@HOTWATER.COM

PROMAX RESIDENTIAL ELECTRIC WATER HEATERS

Item	Description	ELJC 6 917	ELJC 15 917
1	Anode, Plug	43817-25	43817-25
1	EESC-52 Only
2	Bracket, Thermostat	182707	182707
3	Collar, Pipe	20172-22	20172-22
4	Cover, Front	181260-230	181260-230
5	Cover, Junction Box	43441-700	43441-700
6	Element, Heating
7	Gasket, Element (Included with Item 6)	23789	23789
8	*Insulation, Pipe (EC Models Only)	181639	181639
9	*Insert, Warranty Sheet	183051	183051
10	*Instruction Manual	183052	183052
	LABELS		
11	Danger	182755	182755
12	Scald Warning	181138	181138
13	*Temperature Warning	182734	182734
14	Plug, Element	42290	42290
15	Protector, Personnel		
	C-2, S-1, Upper A-6, Lower A-7	182360	182360
	Protector, Personnel Lower A-6	182117	182117
	Protector, Personnel Upper A-7	39909	39909
16	Thermostat, S-1, Upper A-6	182354	182354
17	Thermostat, Lower A-6	23897-1	23897-1
	Thermostat, Upper A-7		
18	High Limit	38017	38017
19	Thermostat, Double Throw	38008	38008
20	Thermostat, C-2, Lower A-7	182353	182353
21	Tube, Inlet (Item 18 Included)		
	EC Models	21062-26	21062-36
	EESC Models	21062-36	21062-49
22	Spacer, Dip Tube	42589	42589
23	Tube, Heat Trap Inlet (T Models)		
	EC Models	181068-26	181068-37
	EESC Models	181068-37	181068-50
24	Valve, Drain	26273-6	26273-6
25	Valve, T & P Relief	23740-1	23740-1
SMR			
21	Tube, Inlet (Item 18 Included)	21062-26	21062-36
25	Valve, T & P Relief - McBee	23740-1	23740-1
	Valve, T & P Relief - Juarez	23740-1	23740-1
SMR			
11	Earthquake Manual ..	181809 ..	181809
SMR S19			
1	Anode, Plug	43816-29	43816-29
SMR S24			
25	Valve, T & P Relief	23740-1	23740-1
SMR S43			
25	Valve, T & P Relief - McBee	23740-1	23740-1
	Valve, T & P Relief - Juarez	23740-1	23740-1
SMR S44			
1	Anode, Plug	43816-29	43816-29
21	Tube, Inlet (Item 18 Included)	21062-26	21062-36

NOTE: UNDERLINED PARTS ARE RECOMMENDED STOCK ITEMS FOR EMERGENCY REPLACEMENT.

ELJC 20 917	ELJC 30 917	ELJC 40 917	ELJC 50 917
..... 43817-25	43817-35	43817-38	43817-50
..... 43817-38
..... 182707	182707	182707	182707
..... 20172-22	20172-22	20172-22	20172-21
..... 181260-230	181260-230	181260-230	181260-230
..... 43441-700	43441-700	43441-700	43441-700
..... REFER TO ELEMENT CHART ON BACK PAGE			
..... <u>23789</u>	<u>23789</u>	<u>23789</u>	<u>23789</u>
..... 181639	181639	181639	181639
..... 183051	183051	183051	183051
..... 183052	183052	183052	183052
.. 182755	182755	182755	182755
.. 181138	181138	181138	181138
.. 182734	182734	182734	182734
.. 42290	42290	42290	42290
... 182360	182360	182360	182360
... 182117	182117	182117	182117
... 39909	39909	39909	39909
... 182354	182354	182354	182354
.. 23897-1	23897-1	23897-1	23897-1
..... 38017	38017	38017	38017
..... 38008	38008	38008	38008
..... 182353	182353	182353	182353
21062-4521062-49	21062-49	21062-52
21062-49
.. 42589 42589	42589	42589
..... 181068-46	181068-50	181068-50	181068-53
..... 181068-50
..... 26273-6	26273-6	26273-6	26273-6
..... <u>23740-1</u>	<u>23740-1</u>	<u>23740-1</u>	<u>23740-1</u>
..... 21062-4521062-49 21062-49 21062-52
..... 23740-123740-1 23740-1 23740-1
..... 23740-123740-1 23740-1 23740-1
..... 181809
43816-29	43816-38	43816-38	43816-55
..... 23740-1	<u>23740-1</u>	<u>23740-1</u> <u>23740-1</u>
..... <u>23740-1</u> <u>23740-1</u> <u>23740-1</u>	<u>23740-1</u>
..... 23740-123740-1 23740-1	23740-1
..... 29109-29 43816-38 43816-38 29109-48
..... 21062-45 21062-49 21062-49 21062-52

ELEMENT CHART

SCREW-IN ELEMENTS for PROMAX WATER HEATERS					
Wattage	120V	208V	240V	277V	480V
1000	23790-2	-----	23791-2	-----	-----
1500	23790-4	23775-4	23791-4	23782-4	-----
2000	23790-5	23775-5	23791-5	23782-5	-----
2500	23790-6	23755-6	23791-6	23782-6	23783-6
3000	23790-7	23775-7	23791-7	23782-7	23783-7
3500	-----	-----	23791-8	-----	-----
4000	-----	23775-9	23791-9	-----	23783-9
4500	-----	23775-10	23791-10	23782-10	23783-10
5000	-----	23775-11	23791-11	-----	23783-11
5500	-----	-----	23791-14	-----	-----
6000	-----	23775-12	23791-12	23782-12	23783-12

NOTE: 1000 WATTS = 1 KILOWATT
ALL ELEMENTS ARE INDIVIDUALLY BOXED UNLESS SPECIFIED.
FOR BAGGED ELEMENTS, ADD SUFFIX-D (IE: 23791-10-D).

A.O. SMITH
WATER PRODUCTS
COMPANY

A.O. SMITH WATER PRODUCTS CO., INC.
 5621 W. 115TH STREET • ALSIP, ILLINOIS 60803
 PHONE: 1-800-433-2545 • FAX: 1-800-433-2515
 Website: WWW.HOTWATER.COM • EMAIL: PARTS@HOTWATER.COM