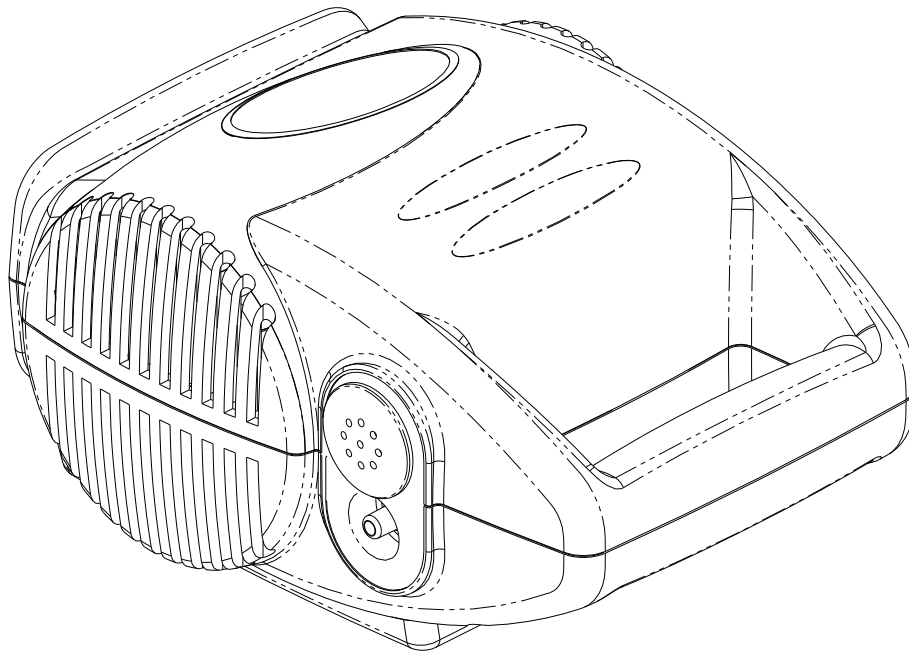


# Medline Aeromist Plus

## *Evaluation Compressor Nebulizer User's Manual*



**Medline Industries, Inc.**

# **Table of Contents**

IEC Symbols.....	2
Important Safeguards.....	2
Introduction.....	3
Specifications.....	4
Description.....	5
Operation Instructions.....	6
Cleaning.....	6
Maintenance.....	6
Warranty.....	7

## IEC Symbols



**Caution, Attention or Consult accompanying documents.**



**Alternating Current**



**Type BF Equipment**



**Double Insulation**



**Single Use Equipment**

## Important Safeguards



**Caution:**

Federal Law (USA) restricts this device for sale or use on the order of a physician.

Follow the instructions of your physician to operate this unit.



**Danger: To reduce the risk of electrocution:**

1. Always unplug the unit immediately after using.
2. Do not use while bathing.
3. Do not place or store the unit where it can fall or be pulled into a tub or sink.
4. Do not place or drop into water or other liquid.
5. Do not reach for a product that has fallen into water. Unplug immediately.



**Warning: To reduce the risk of burns, electrocution, fire or injury:**


1. Electrical Shock Hazard - do not remove the cabinet or open the cover.
2. Disconnect the power cord from the electrical outlet before cleaning or servicing.
3. Do not place this equipment near hot, sparking or burning objects.
4. Do not use oil or grease on or near this device.
5. Turn the unit off when it is not in use.
6. Keep the cord away from **HEATED** or **HOT** surfaces.
7. **NEVER** drop or insert any object into any opening.

8. NEVER block the air openings of the product or place it on a soft surface, such as a bed or couch, where the air opening may be blocked.
9. Avoid the operation in wet or damp locations.
10. Unplug the unit before filling the nebulizer.



**Warning:** To reduce the risk of infection:



1. The Nebulizer kit with a  mark on it should not be reused.
2. To prevent the risk of cross infection, different persons should never use the same nebulizer kit.
3. If you are using a reusable nebulizer kit, cleaning of the nebulizer is recommended after each aerosol treatment. Disinfecting is recommended once a day. Since nebulizers vary in type and construction, we recommend that you follow the cleaning instructions provided with the nebulizer. If there is no cleaning instruction accompanying with the nebulizer, follow the recommended cleaning procedures described on page 6.
4. Use only the FDA or CE approved nebulizer kits.

## **Introduction**

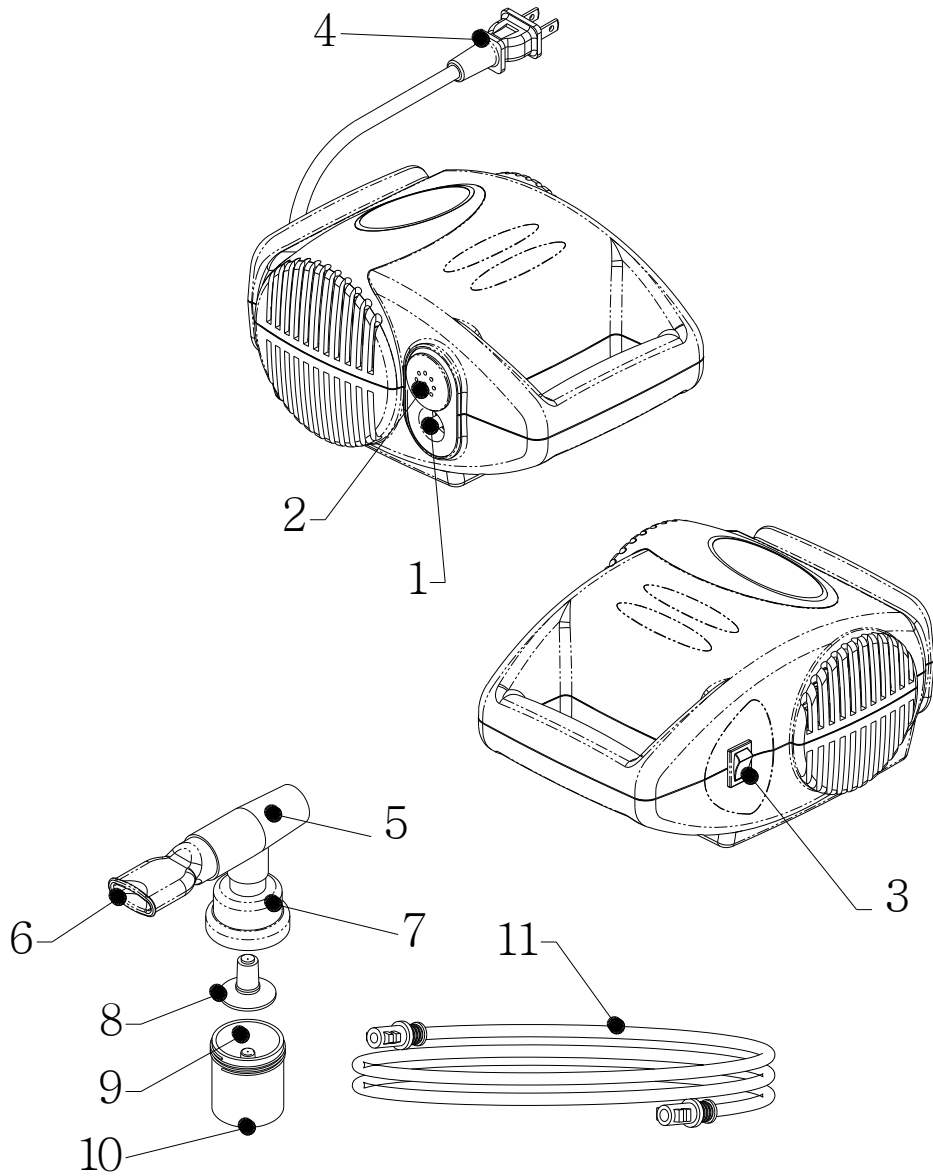
This compressor nebulizer is designed to efficiently deliver the prescribed medication solution to treat your respiratory disorders, such as asthma, allergies, and bronchitis. The nebulizer will convert the medication solution into an aerosol mist that penetrates through your lungs. Read this manual thoroughly before using nebulizer and save for future reference.

## Specification

<b><u>Electrical Requirements</u></b>	115VAC/60Hz
<b>Power Consumption</b>	75W
<b>Dimensions</b>	4.1" (105mm) High ×5.7" (145mm) Wide × 7.9" (200mm) Deep
<b>Weight</b>	1.6kg (3.53lbs)
<b>Sound Pressure Level</b>	53dB(A)
<b>Max. Comp. Pressure</b>	30 Psig or greater
<b>Neb. Operating Pressure</b>	10~14 Psig
<b>Liter Flow Range</b>	4 - 8 LPM
<b>Particle Size Less Than</b>	5 microns
<b>Operating Temperature</b>	10°C ~ 40°C (50°F to 104°F)
<b>Operating Humidity</b>	Up to 95% non-condensing
<b>Storage/Transport Temperature Range</b>	-20°C ~ 60°C (-4°F to 140°F)
<b>Storage/Transport Humidity</b>	Up to 95% non-condensing

- (1). Conditions may vary based on altitude above sea level, barometric pressure and temperature. Specification subjects to change without notice.
- (2). This product complies with the following standards: C22.2 No 601.1-M90, UL Std. No 2601-1 and IEC/EN 60601-1.
- (3). For electromagnetic compatibility the standards are based as follow: CSA 601.1-2 and IEC/EN 60601-1-2.
- (4). Protection against electric shock is classified as **Type II**.
- (5). Degree of protection against electric shock is classified as **Type BF**.
- (6). Mode of operation belongs to continuous mode.
- (7). Equipment not suitable for use in the presence of a flammable anesthetic mixture with air or with oxygen or nitrous oxide
- (8). Degree of protection against ingress of water is rated as IPX0.

# Description



- 1. Air Outlet Connector
- 2. Filter Cap
- 3. Power Switch
- 4. Power Cord
- 5. Nebulizer T-Piece

- 6. Mouthpiece
- 7. Nebulizer Cap
- 8. Baffle
- 9. Nebulizer Chamber
- 10. Air Inlet Connector

- 11. Tubing

## **Operation Instructions**

1. Place compressor on a stable, sturdy and flat surface such that the unit can be easily reached when you're seated.
2. Pull out the power cord from the base of the unit, and make sure that the unit is in the "off"(0) position by pressing on the left side of switch.
3. Plug power cord into a wall outlet.
4. Connect one end of the nebulizer tubing into the air outlet connector.
5. Add the prescribed saline solution through the opening on cap using an eye dropper or pre-measured dose container.
6. Assemble mouthpiece and T-piece, and insert into the top of the nebulizer cap. If an aerosol mask applied connect the bottom of mask to the top of nebulizer cap.
7. Connect tubing to nebulizer air inlet connector.
8. Turn the power on to start the unit.
9. Implement the treatment by placing the mouthpiece between the teeth. Inhale and exhale through the mouthpiece.
10. If aerosol applied place the mask over the mouth and nose.

## **Cleaning**

1. Turn the power off and unplug from the wall outlet.
2. Remove the tubing from the air inlet.
3. Disassemble mouthpiece, T-piece, nebulizer cap, chamber and baffle, and wash these items except the tubing in hot water with dish-washing detergent. Rinse these items thoroughly to remove the detergent.
4. Mix one part of white vinegar with 3 part of hot distilled water, and use a clean container to carry this disinfectant solution. Submerging mouthpiece, T-piece, nebulizer cap, chamber and baffle for half an hour
5. Remove these cleaned units from container and let them dry in the air.
6. There is no need to clean the tubing if necessary wipe the surface of it regularly.

## **Maintenance**

1. The filter of air compressor should be replaced when it turns gray. The additional filter can be procured from your dealer
2. Only authorized personnel shall make repairs to this machine.

# **Warranty**

Medline Industries, Inc. warrants the nebulizer compressor to be free from defective workmanship and materials for a period of one (3) years from the date of purchase. Check with your dealer for more details. This warranty is limited to the original purchaser of the compressor. Any defective part or assembly will be repaired or replaced, at the sole discretion and determination of Medline Industries, Inc., if the unit has been properly operated during the warranty period. Normal maintenance items and disposable components are not covered by this warranty. Shipping charges, if any, shall be paid by the purchaser.

Note: There is no other express warranty. Implied warranties, including those of merchantability and fitness for a particular purpose, are limited to the duration of the express limited warranty and to the extent permitted by law and all implied warranties are excluded. This warranty does not cover providing a loaner compressor, compensating for costs incurred for compressor rental, or labor costs incurred in repairing or replacing defective part(s).

Rev. 1. 01/16/2007