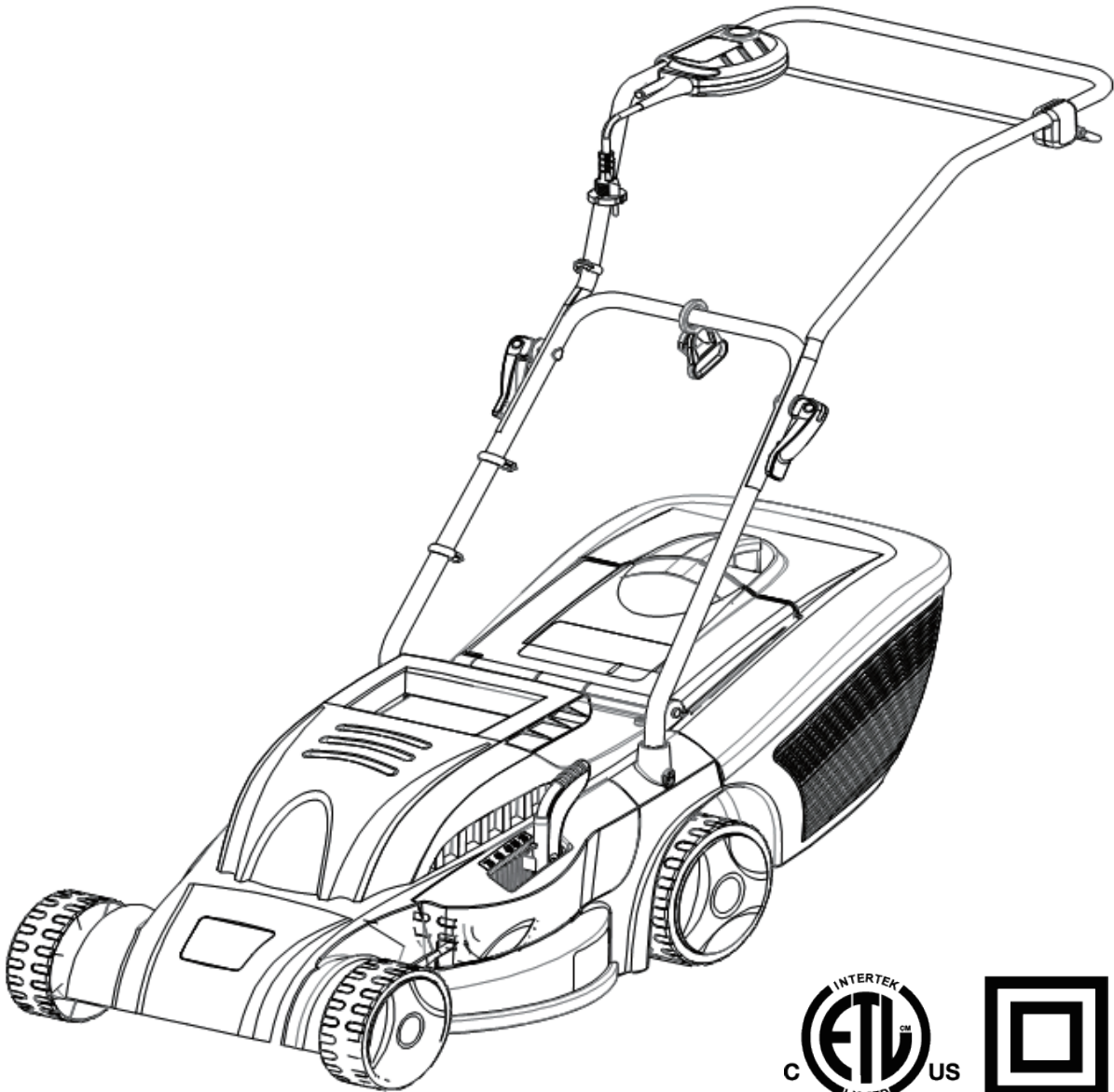


User Manual

Electric Lawn Mower

DB6806, 120V, 12A, 16"



3092405

Warning: Read and follow all safety rules and instructions in this manual before attempting to operate this machine.

Failure to comply with these instructions may result in personal injury. Save these instructions.

Questions, problems, missing parts? If you have questions and need technical support, call our customer service department at 1--800--791--9458.

Contents

Contents	2
Product Specification	2
Safety information	3-6
Symbols	7-8
Know your lawn mower	9
Assembly	10-12
Operation	13-16
Maintenance	17-18
Troubleshooting	19
Warranty	20

PRODUCT SPECIFICATIONS

16" ELECTRIC LAWN MOWER

Motor	120 V AC, 60 Hz, 12 A
No-load speed	3300±150 RPM
Cutting path	16" (40 cm)
Height adjustments	1" - 3" (2.5 - 7.5 cm)
Weight	30 lbs (13.6 kg)

SAFETY INFORMATION

GENERAL OPERATION

- Carefully read all instructions on the mower and in the manual before attempting to assemble and operate the mower. Keep this manual in a safe place for future reference, and consult it regularly.
- Become familiar with all controls and their proper operation. Know how to stop the mower and how to disengage the power in an emergency.
- Do not allow children under the age of 14 to operate this mower. Children who are 14 years of age and older must read and understand the operating instructions and the safety rules in this manual, and must be trained and supervised by a parent.
- Do not allow anyone to operate this mower until they have read and understand the instructions.
- In order to avoid contact with the blade or injury caused by a thrown object, stay in the operator's zone behind the handles, and keep children and bystanders at least 50' (15 m) away from the mower.
- Household circuit: This mower is designed to operate on a 15 A circuit. If the mower has difficulty starting when connected to a circuit that contains a standard 15 A fuse or circuit breaker, call the toll-free number. Do not use a fuse or circuit breaker with a higher rating than specified for your particular branch circuit.
- Do not abuse the cord by pulling the mower by the cord or yanking on the cord in order to disconnect it from the outlet. Keep the cord away from heat, oil and sharp objects.
- Many injuries occur as a result of the mower being pulled over the operator's foot during a fall caused by slipping or tripping. Do not operate this mower in bare feet, or while wearing sandals or lightweight (e.g.: canvas) shoes. Do not hold on to the mower if you are falling. Release the handle immediately.
- Never pull the mower back toward you while you are walking. If you must back the mower away from a wall or an obstruction, first look down and behind in order to avoid tripping and then follow these steps:
 - Step back from the mower in order to fully extend your arms.
 - Be sure that you are well balanced.
 - Pull the mower back slowly.
 - Repeat these steps as necessary.
- Do not use mower for any job except that for which it is intended. Do not force the mower.
- Do not operate the mower while under the influence of alcohol or drugs.
- Stay Alert: Do not operate the mower when you are tired. Pay attention to what you are doing. Use common sense.
- Do not put hands or feet near rotating parts or under the cutting deck. Contact with the blade can amputate hands and feet.
- Do not attempt to adjust the wheels or the cutting height while the motor is running.
- Avoid dangerous environments. Do not operate the mower in the rain or in wet or damp grass.
- Mow only in daylight or in good artificial light. Do not rush a mowing job.
- Stop the blade when crossing gravel driveways, walkways, or roads.
- If the mower starts to vibrate abnormally, stop the motor and check for the cause immediately. Vibration is generally a warning of trouble.
- Stop the motor and wait until the blade comes to a complete stop before removing the grass catcher or unclogging the chute. The cutting blade will continue to rotate for a few seconds after the motor is shut off. Do not place any part of your body in the blade area until you are sure that the blade has stopped rotating.
- Never operate the mower without a proper trail shield, discharge cover, grass catcher, switch control, or other safety protective devices in place and in working order. Do not operate the mower with damaged safety devices. Doing so can result in injury.

OPERATING ON A SLOPE

Slopes are a major factor related to accidents involving slips and falls, which can result in severe injury. Operating the mower on a slope requires extra caution. If you feel uneasy on a slope, do not mow it. For your safety, use the slope gauge that is included as part of this manual to measure slopes before operating this mower on a sloped or hilly area. Do not mow a slope that has an angle of greater than 15°.

- Mow across the face of a slope, and never up and down. Exercise extreme caution when changing direction on a slope.
- Watch for holes, ruts, rocks, hidden objects, or bumps that may cause a slip or a trip. Tall grass can hide obstacles. Remove all objects such as rocks, tree limbs, etc., that can be tripped over or thrown by the blade.
- Always be sure of your footing. If you feel like you are losing your balance, release the switch handle immediately. The blade will stop rotating within 3 seconds.
- Do not mow near drop-offs, ditches, or embankments, because you could lose your footing or balance.
- Do not mow a slope that has an angle of greater than 15°, as determined using the slope gauge.
- Do not mow wet or damp grass. Unstable footing can cause slipping.

CHILDREN

- Tragic accidents can occur if the operator is not aware of the presence of children. Keep children out of the mowing area and under the watchful care of a responsible adult. Stay alert, and turn the mower off if a child enters the mowing area. Look behind and down for small children before and while moving backwards. Use extreme care when approaching blind corners, doorways, shrubs, trees, or other objects that may obscure your view of a child who may run into the path of the mower.
- Do not allow children under the age of 14 to operate this mower. Children who are 14 years of age and older must read and understand the operating instructions and safety rules in this manual and must be trained and supervised by a parent.

SERVICE

- When servicing the mower, use only replacement parts that are listed in this manual. The use of parts that do not meet the original equipment specifications may lead to improper performance, and may compromise safety.
- Before cleaning, repairing, or inspecting, verify that the blade and all moving parts have come to a complete stop. In order to prevent accidental start-ups, disconnect the power cord when the mower is not in use.
- Follow the instructions for lubricating and changing accessories.
- Inspect the lawn mower's power cord and extension cords regularly and replace them immediately if they are damaged. In order to obtain replacement parts, call the toll-free helpline.
- Keep the handles dry, clean and free of oil and grease.
- In order to reduce the risk of fire, keep the motor free of grass, leaves, and debris build up.
- Check the blade and the motor mounting bolts frequently for proper tightness. Visually inspect blade for damage (e.g., bent, cracked, or worn).
- For best and safest performance, maintain the mower with care. Keep the mower blade sharp and clean. Mower blades are sharp and can cut. Wrap the blades or wear gloves and use extra caution when servicing.
- Keep all nuts, bolts and screws tight in order to be sure that the mower is in safe working condition.
- Do not tamper with safety devices. Check them regularly for proper operation.
- After striking a foreign object, stop the motor and disconnect the power cord. Thoroughly inspect the mower for any damage. Repair any damage before operating the mower.
- The grass catcher components, discharge cover and trail shield are subject to wear and damage, which could expose moving parts or allow objects to be thrown. As a safety precaution, check the components frequently and immediately replace any parts that show signs of wear, or that are cracked or broken. Use original equipment manufacturer's (OEM) parts only, as listed in this manual.

- When it is not in use, store the mower indoors in a dry area, locked up or out of the reach of children.

DOUBLE INSULATED LAWN MOWER

Double insulation eliminates the need for a three-wire grounded power cord and grounded power supply system. Wherever there is electric current in the mower, there are two complete sets of insulation to protect the user. All exposed metal parts are isolated from the internal metal motor components by protecting insulation.

IMPORTANT

Servicing a lawn mower with double insulation requires extreme care and knowledge of the system, and should only be performed by a qualified service technician. If repairs are required, call the toll-free helpline. Always use original factory replacement parts when servicing.

WARNING

IT IS YOUR RESPONSIBILITY!

To restrict the use of this mower to people who have read and understand the warnings and instructions that appear in this manual and on the mower and who will follow them.











⚠ DANGER ⚠

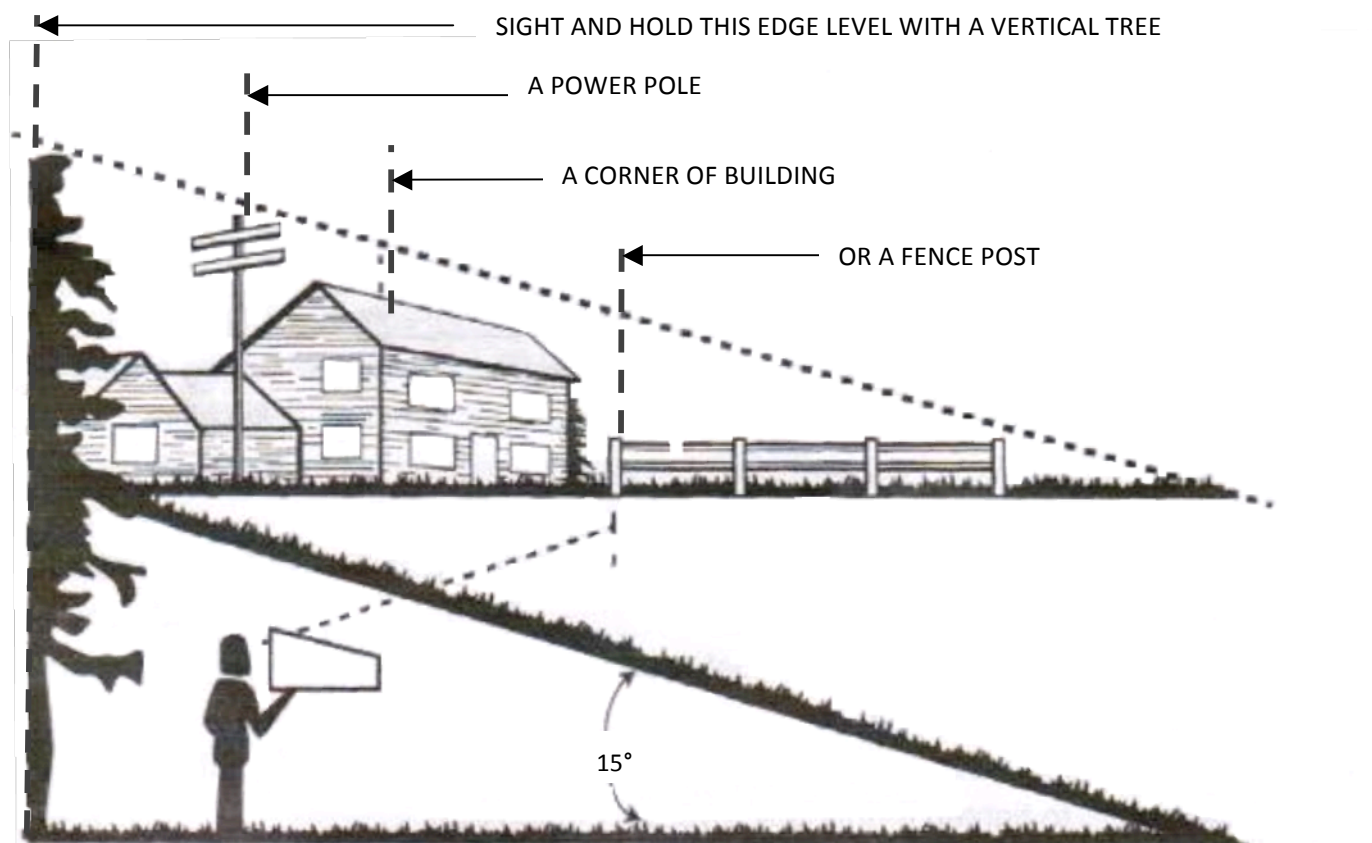
AVOID SERIOUS INJURY OR DEATH

- To reduce risk of injury, user must read and understand operator's manual.
- To reduce the risk of electric shock, do not expose to water, do not use in rain.
- Replace damaged cord immediately.
- Disconnect from supply circuit before servicing, opening or removing blade.
- Do not mow when children and others are around.
- Remove object that could be thrown by the blade.
- Go across slopes, not up and down.
- Keep safety devices(guards, shields, switches ETC.) in place and working.
- Look down and behind before and while moving backwards.

SAFETY INFORMATION

SLOPE GAUGE

- Use this page as a guide in order to identify slopes that cannot be mowed safely.
- DO NOT USE the lawn mower on these slopes.
- SIGHT AND HOLD THIS EDGE LEVEL WITH A VERTICAL TREE.
- FOLD ON THE DOTTED LINE. THIS REPRESENTS A SLOPE OF 15°.












WARNING

Do not mow a slope that has an angle greater than 15° (a rise of approximately 2 1/2' [0.75 m] every 10' [3 m]). Mow across the face of a slope, and never up and down.

SYMBOLS

Some of the following symbols may be used on this product. Please study them and learn their meaning. Proper interpretation of these symbols will allow you to operate the product better and safer.

SYMBOLS




SYMBOL	DESIGNATION/EXPLANATION
V	Volts
A	Amperes
Hz	Hertz
W	Watts
Hrs	Hours
	Precautions that involve your safety.
	To reduce the risk of injury, user must read and understand user's manual before using this product.
	Do not expose machine to rain or wet conditions.
	Pay attention that bystanders are not injured through foreign objects thrown from the mower.
	Keep all bystanders (especially children and pets) at least 50' (15 m) away from the work area.
	Keep hands and feet away from blade and cutting area.
	Do not operate on inclines greater than 15°. Mow across the face of slopes, never up and down.
	Beware of electric shock hazard.
	Wait for all components of machine to have completely stopped before touching them.

SERVICE

Servicing requires extreme care and knowledge and should be performed only by a qualified service technician. For service we suggest you return the product to your nearest AUTHORIZED SERVICE CENTER for repair. When servicing, use only identical replacement parts.

SYMBOLS

The following signal words and meanings are intended to explain the levels of risk associated with this product.

SYMBOL	SIGNAL	MEANING
	DANGER	Indicates an imminently hazardous situation, which, if not avoided, will result in death or serious injury.
	WARNING	Indicates a potentially hazardous situation, which, if not avoided, could result in death or serious injury.
	CAUTION	Indicates a potentially hazardous situation, which, if not avoided, may result in minor or moderate injury.
CAUTION	(Without Safety Alert Symbol)	Indicates a situation that may result in property damage.

WARNING

To avoid serious personal injury, do not attempt to use this product until you have read this Owner's Manual thoroughly and understand it completely. If you do not understand the warnings and instructions in this Owner's Manual, do not use this product. Call the Toll-free Helpline for assistance.

WARNING

The operation of any power tool can result in foreign objects being thrown into your eyes, which can result in severe eye damage. Before beginning power tool operation, always wear safety goggles or safety glasses with side shields and, when needed, a full face shield. We recommend Wide Vision Safety Mask for use over eyeglasses or standard safety glasses with side shields. Always use eye protection which is marked to comply with ANSI Z87.1.

WARNING

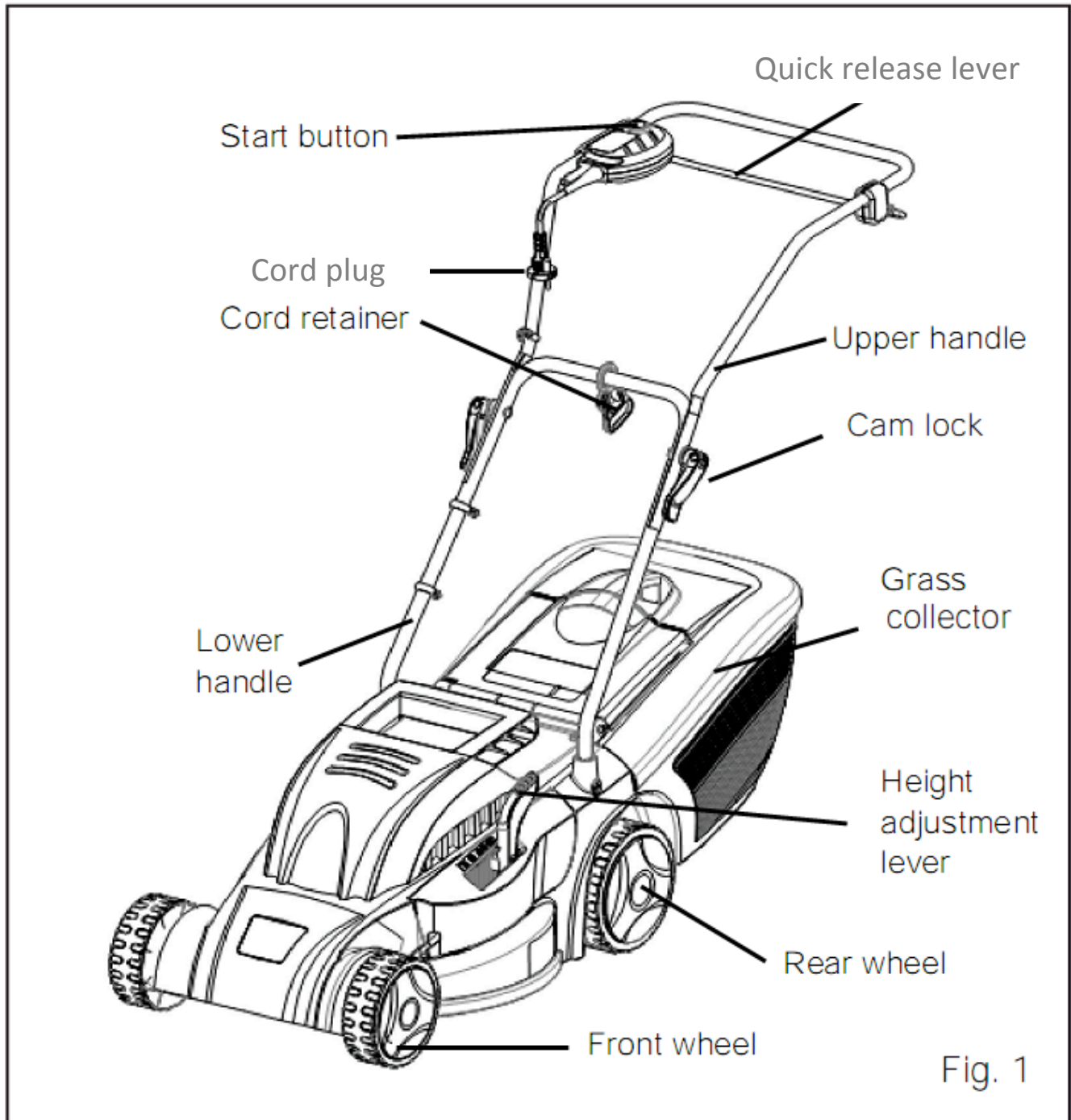
Some dust created by power sanding, sawing, grinding, drilling and other construction activities contains chemicals known to the state of California to cause cancer, birth defects or other reproductive harm. Some examples of these chemicals are:

- Lead from lead-based paints,
- Crystalline silica from bricks and cement and other masonry products, and
- Arsenic and chromium from chemically-treated lumber.

Your risk from these exposures varies, depending on how often you do this type of work. To reduce your exposure to these chemical: work in a well ventilated area, and work with approved safety equipment, such as those dust masks that are specially designed to filter to microscopic particles.

KNOW YOUR LAWN MOWER

Read this operator's manual and safety rules before operating your lawn mower. Compare the illustration in Figure 1 to your lawn mower in order to familiarize yourself with the location of various controls and adjustments. Save this manual for future reference.



ASSEMBLY INSTRUCTIONS

UNPACKING

- Carefully remove the product and any accessories from the box. Make sure that all items listed in the packing list are included.
- Inspect the product carefully to make sure no breakage or damage occurred during shipping.
- Do not discard the packing material until you have carefully inspected and satisfactorily operated the product.
- If any parts are damaged or missing, please call for assistance.

PACKING LIST

Lawn mower	Key for changing the blades
Lower handle	Fastening screws for lower bar x 2pcs
Right bottom cover of the grass collector,	Cam lock x 2 sets
Left bottom cover of the grass collector,	Screwdriver
Fastening screws for lower bar x 2 pcs.	Owner's manual
Top cover of the collector and handle	
Cable clips x 2 pcs.	
Cord retainer	

WARNING

If any parts are damaged or missing do not operate this product until the parts are replaced. Using a product with damaged or missing parts could result in serious personal injury.

WARNING

Do not attempt to modify this product or create accessories not recommended for use with this Product. Any such alteration or modify caution is misuse and could result in a hazardous condition leading to possible serious personal injury.

WARNING

Do not connect from supply circuit until assembly is complete and you are ready to mow. Failure to comply could result in accidental starting and possible serious personal injury.

WARNING

To prevent accidental starting that could cause serious personal injury, always disconnect from supply circuit when assembling parts.

WARNING

Never operate the mower without the proper safety devices in place and working. Never operate the mower with damaged safety devices. Operation of this product with damaged or missing parts could result in serious personal injury.

ASSEMBLY INSTRUCTIONS

The lawn mower is delivered unassembled.

The complete push bar and the grass collector must be assembled before using the lawnmower.

Follow the operating instructions step-by-step and use the pictures provided as a visual guide to easily assemble the machine.

INSTALLING THE HANDLE BAR (See Figure 2-3)

Take the lower handle bar and insert them into the two respective openings.

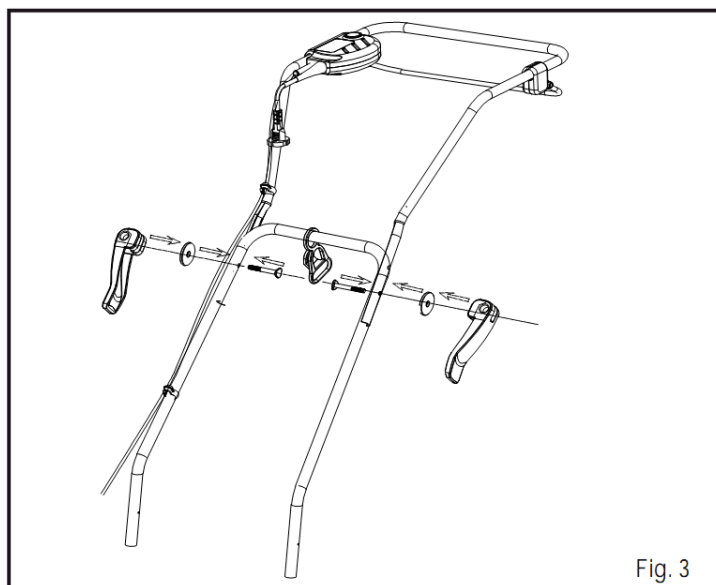
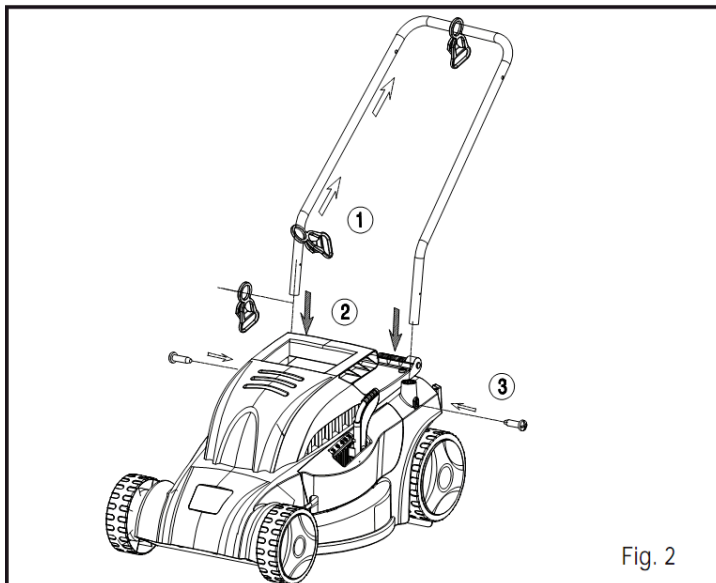
Important! Do not forget to insert the cord retainer onto the lower handle bar.

Attach the lower handle bar, using the screws provided. (see Fig.2).

Now push the upper handle bar over the lower bar.

Install the handles together, using the bolts, washers and cam lock supplied.

Then attach the power cable to the handle bar using the cable clips (Fig.3).



ASSEMBLY INSTRUCTIONS

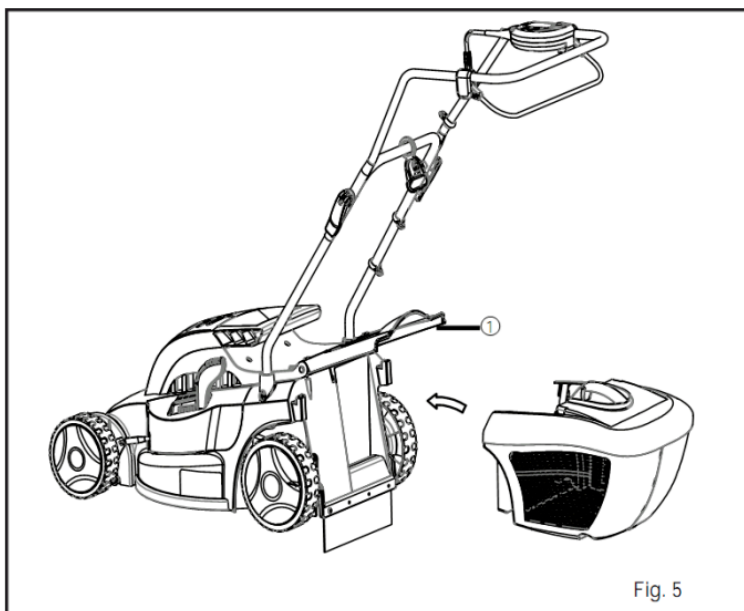
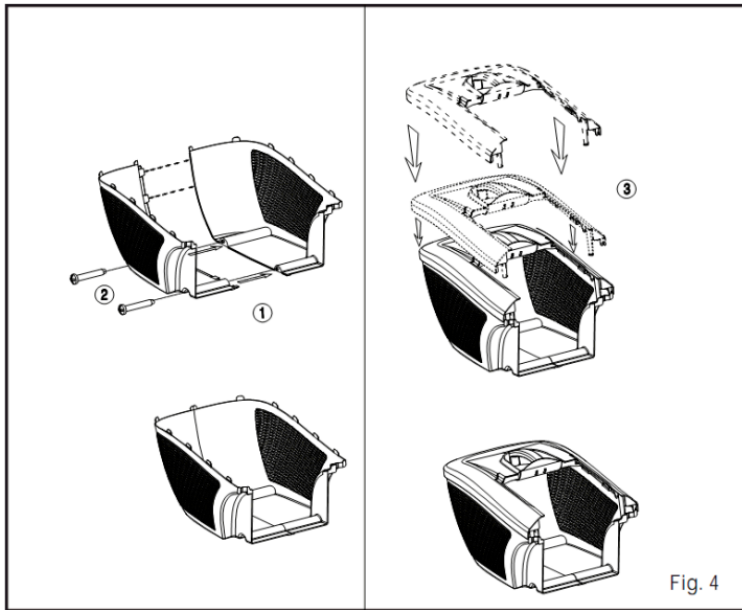
INSTALLING THE GRASS COLLECTOR (See Figure 4-5)

Install the left and right bottom cover of grass collector together using the screws provided.

Assemble the top and bottom cover of grass collector together as shown in (Fig. 4)

Before you fit the grass collector to the mower you must ensure that the motor is switched off.

Lift the rear chute cover (1) with one hand. With the other hand, hold the grass collector by the handle and hook it on the unit as shown in (Fig. 5)



OPERATING YOUR LAWN MOWER

CONNECTING THE POWER CORD

Selecting an Extension Cord

The chart below shows the length of extension cords and the corresponding acceptable cord ratings.

For a 50' (15 m) cord, use 16 AWG.

For a 100' (30 m) cord, use 14 AWG.

For a 150' (45 m) cord, use 12 AWG.

Use only a CSA or equivalent agency listed extension cord that is approved for outdoor use.

I M P O R T A N T

Using any other length or rating of cord will adversely affect the performance and possibly the life of the electric motor, and may also cause breakers to trip or fuses to blow in the household fuse box.

CONNECTING TO THE SWITCH ASSEMBLY

Connect the plug to the extension cord by fully inserting the plug from the mower into the receptacle on the extension cord. The lawn mower's plug will only fit into the polarized extension cord one way. If the plug does not fit into the extension cord properly, reverse the plug. If the plug still does not fit, obtain a proper polarized cord or call the toll-free helpline.

CONNECTING TO THE ELECTRIC POWER SOURCE

W A R N I N G

This mower is designed to operate on a 15A circuit. If the mower is difficult to start when connected to a circuit that contains a standard 15 A fuse or circuit breaker, call the toll-free helpline. Do not use a fuse or circuit breaker with higher rating than that specified for your particular branch circuit.

Plug the extension cord into a convenient 120 V AC, 60 Hz outlet, which can be located either outdoors or indoors. In order to avoid blowing fuses, use an outlet that is not overloaded. Do not use oversized fuses without consulting an electrician.

OPERATING YOUR LAWN MOWER

STARTING/STOPPING THE MOWER (See Figure 6)

To start the motor:

- Plug the mower into an approved outdoor extension cord.
- Press and hold the start button (1).
- Pull the quick release lever (2) upward to the handle to start the mower and release the button.

To stop the motor:

- Release the quick release lever.

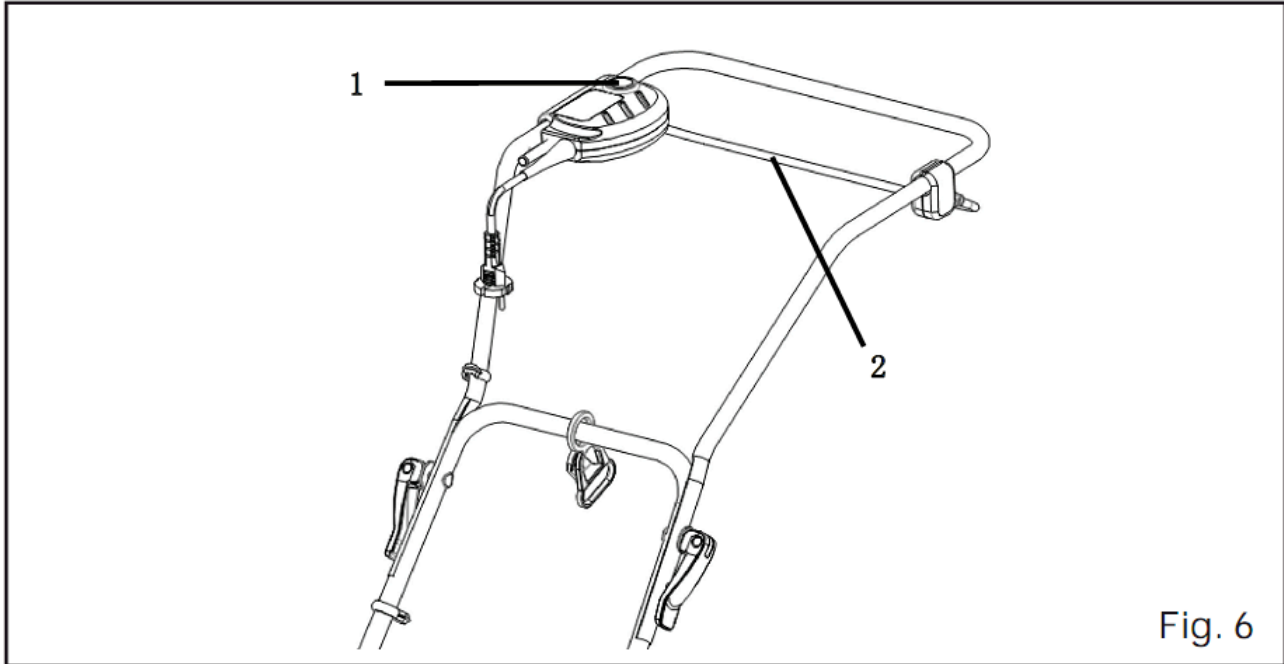


Fig. 6

CAUTION

Do not attempt to override the operation of the start button or quick release lever.

WARNING

The operation of any mower can result in foreign objects being thrown into the eyes, which can cause severe eye damage. Always wear safety glasses while operating the mower and while performing any adjustments or repairs.

WARNING

Ensure that other people and pets remain at least 50' (15 m) away when the mower is in use.

INSPECT THE CUTTING AREA.

Remove all stones, sticks, wire and other debris that might be thrown by the rotating blades.

OPERATING YOUR LAWN MOWER

CUTTING HEIGHT ADJUSTMENT (See Figure 7)

When shipped, the wheels on the mower are set to a low-cutting position. Before using the mower for the first time, raise the cutting position to the height best suited for your lawn. The average lawn should be between 1 1/2" to 2" (3.8 to 5 cm) during cool months and between 2" and 3 1/2" (5 cm to 8.3 cm) during hot months.

To adjust the blade height:

- To raise the blade height, grasp the height adjustment lever (1) and move it toward the back of the mower.
- To lower the blade height, grasp the height adjustment lever (1) and move it toward the front of the mower.

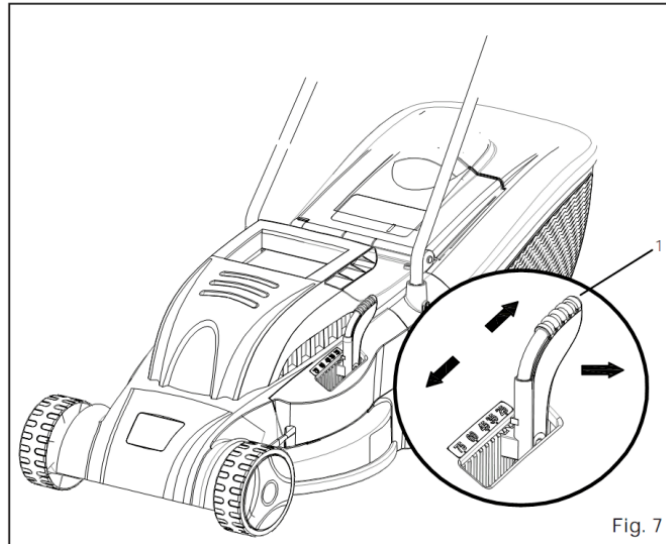


Fig. 7

USING THE CORD RETAINER (See Figure 8)

This lawn mower is equipped with a cord retainer in order to prevent the extension cord from disconnecting from the power cord while the mower is in use. The cord retainer hangs from the cord guide bar.

NOTE: Do not plug the extension cord into the outlet until it has been connected to the cord retainer and plugged into the mower.

To use the cord retainer:

- Fold the extension cord in order to forming a tight loop near the retainer.
- Push the loop through the bottom hole in the retainer.
- Slide the loop over the retaining clip, and pull down until the cord is secured.

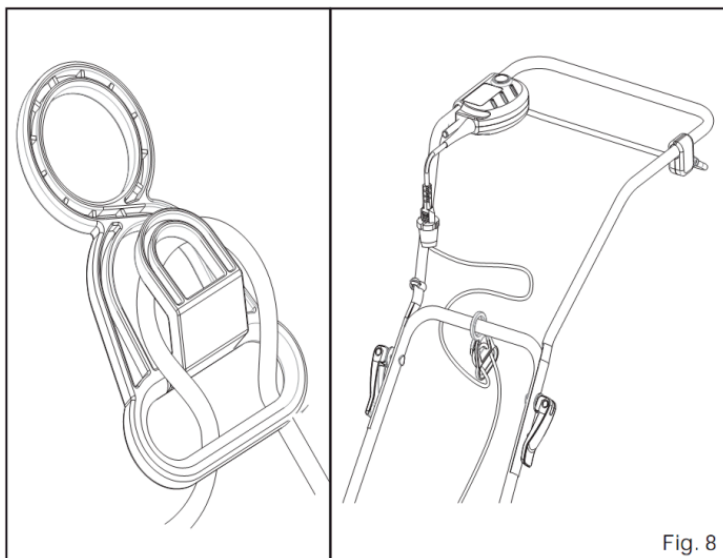


Fig. 8

OPERATING YOUR LAWN MOWER

MOWING THE LAWN

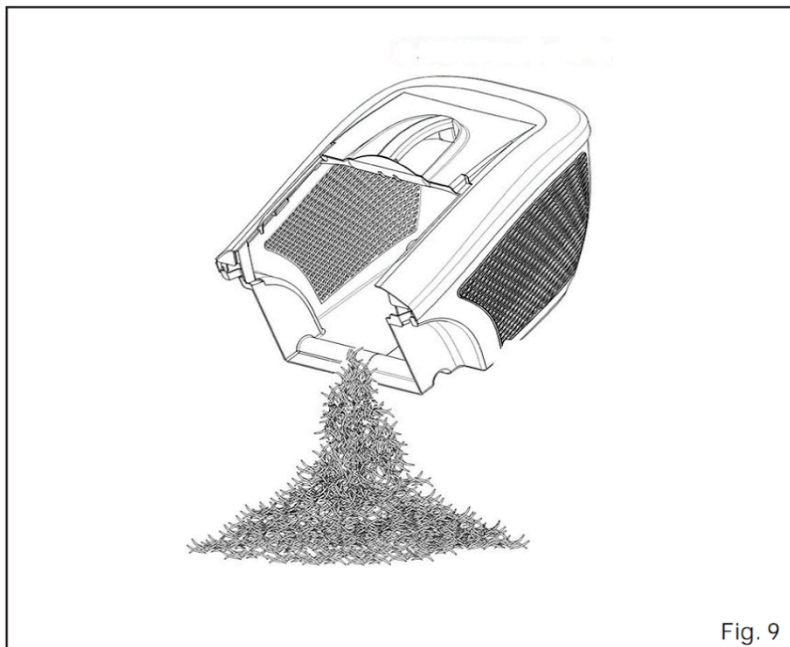
NOTE: A sharp blade will greatly enhance the performance of the mower, especially when cutting high grass.

Be sure to check the blade and to sharpen it at least once per year, as described in the Maintenance section.

- Verify that the lawn is free of stones, sticks, wires and other objects that could damage the blades, the lawn mower, or the motor. These objects could be accidentally thrown by the mower in any direction and could cause serious personal injury to the operator and to others.
- In order to prevent electric shocks, do not operate the mower in damp or wet conditions.
- Always start from the point that is closest to the power source where the extension cord is connected.
- Never mow in circles. Travel back and forth across the lawn, starting from the point that is closest to the outlet and moving away from the outlet so that the cord lies behind the mower, in the cut portion of the lawn and out of the way.
- Do not allow the extension cord to wrap around trees, shrubs, or other obstacles. When picking up the extension cord, wind the cord in a series of equal loops in order to prevent it from tangling.
- When cutting heavy grass, reduce walking speed in order to allow for a more effective cut and a proper discharge of the clippings. For a healthy lawn, always cut off one-third or less of the total length of the grass. The average lawn should be approximately 1 1/2 to 2" (3.8 to 5 cm) long during cool months and more than 2" (5 cm) long during hot months. If there is growth, the lawn should be cut in the fall.

EMPTYING THE GRASS COLLECTOR (See Figure 9)

- Release the quick release lever to turn the mower off, wait for the blade to come to a complete stop. Unplug mower.
- Lift the rear chute cover.
- Lift the grass collector by its handle to remove from mower.
- Empty grass clippings.
- Lift the rear chute cover and reinstall the grass collector as described earlier in this manual.



MAINTENANCE

REPLACING THE CUTTING BLADE (See Figure 10 - 11)

For safety reasons, we recommend having the blade replaced by an authorized professional.

Important! Wear work gloves!

Only replace the blade with a genuine replacement blade, as this will ensure top performance and safety under all conditions.

Carry out the following steps to change the blade:

Undo the fastening screw. (see Fig.10) •

- Remove the blade and replace with a new one.
- When fitting the blade, make sure it is installed in the right direction. The blade's air vanes must jut into the motor compartment. The dome mounts must be aligned with the punch holes in the blade.

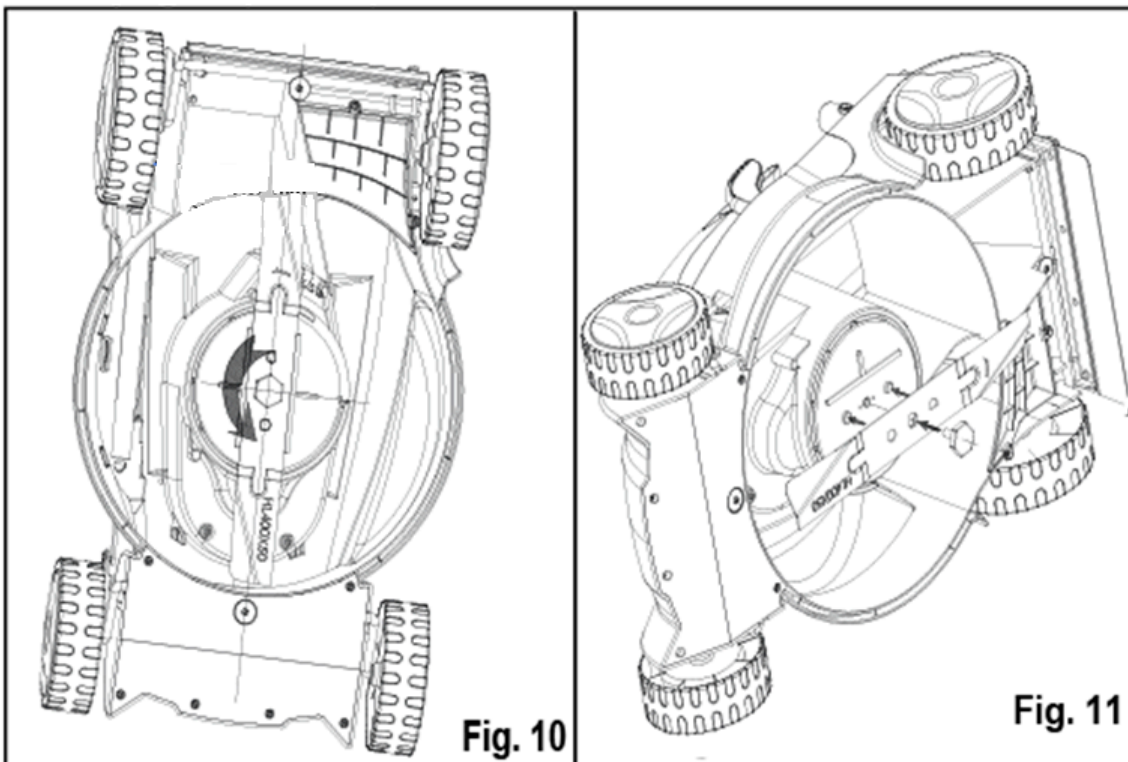
- Then retighten the fastening screw with the universal wrench. The tightening torque should be approx. 25 Nm.

At the end of the season, perform a general inspection of the lawn mower and remove any grass and dirt which may have accumulated.

At the start of each season, ensure that you check the condition of the blade. If repairs are necessary, please contact our customer service center.

Use only original replacement parts.

NOTE: Be sure to replace the parts in the exact order in which they were removed. When installing the cutting blade, verify that it is installed with the curved ends pointing toward the mower deck, and not toward the ground.



CLEANING THE MOWER

WARNING To reduce the risk of electric shock, do not expose the mower to water.

The underside of mower deck should be cleaned after each use as grass clippings, leaves, dirt and other debris will accumulate causing rust and corrosion.

- Remove any buildup of grass and leaves on or around the motor cover (do not use water). Wipe the mower clean with a dry cloth occasionally.
- If debris builds up on the underside of the unit while in use, stop the motor and disconnect it from the power supply. Tilt the mower forward, or on its side, and scrape it clean with an appropriate tool.

STORING THE MOWER

The following steps should be taken to prepare the lawn mower for storage.

- Make certain the power cord is disconnected.
- Clean mower as instructed in previous section.
- Inspect and replace/sharpen blade, if required. Refer to the Maintenance section.
- Store mower in a dry, clean area. Do not store next to corrosive materials, such as fertilizer and rock salt.
- Wipe extension cord to remove any foreign substances such as oil or stains. Replace extension cord if cut or damaged in any way.
- Wind cord in a series of equal loops to prevent it from tangling.
- Store mower indoors, in a cool, dry place, out of the reach of children. Do not cover lawn mower with a solid plastic sheet. Plastic coverings trap moisture around the mower causing corrosion.

The handle may be folded away completely for storage. (See Figure 2)

- Lift up the cam locks on the sides of the upper handle to unlock, and fold the upper handle down.
- Lift up the cam locks on the side of the lower handle to unlock, pull outwards on each side of the lower handle, and lift the sides of the lower handle past the edges of the handle mounting brackets. Fold the lower handle forward. Make sure not to bend or kink the power cord.

TROUBLESHOOTING

PROBLEM	POSSIBLE CAUSE	SOLUTION
The handle is not in position	Carriage bolts are not seated properly. Cam handle is not tightened.	Adjust the height of the handle and make sure the carriage bolts are seated properly. Tighten cam handle.
The mower does not start.	The extension cord is not connected to the mower plug. The extension cord is not connected to the power source. The control switch is defective.	Reconnect the cord, and use the cord restraint to keep the cord closer to the switch. Connect the extension cord to a live 120V AC, 60 HZ AC receptacle. Have motor control switch replaced by an authorized service center.
The mower cuts the grass unevenly.	The lawn is rough or uneven. The cutting height is not set properly.	Check the mowing area. Move the wheels to a higher position.
The mower is not mulching properly.	Wet grass clippings are sticking to the underside of the deck.	Wait until the grass dries before mowing.
The mower is hard to push.	The grass is long, or the cutting height is too low. The rear of the mower housing and the blade are dragging in heavy grass.	Raise the cutting height.
The mower vibrates at higher speed.	The motor shaft is bent. The blade is unbalanced.	Stop the motor, disconnect the mower from the power source, and inspect it for damage. Repair the mower before restarting. If the vibration persists, call the toll-free helpline. Balance the blade by grinding each cutting edge equally.

WARRANTY - TWO YEAR WARRANTY

For two years from date of retail purchase within U.S.A., the manufacturer will, at its option, repair or replace, for the original purchaser, free of charge, any part or parts found to be defective in material or workmanship. This warranty covers units which have been operated and maintained in accordance with the owner's instructions furnished with the unit, and which have not been subject to misuse, abuse, commercial use, neglect, accident improper maintenance or alteration.

Personal use: THE FOREGOING PARAGRAPHS CONSTITUTE THE MANUFACTURER'S ENTIRE WARRANTY WITH RESPECT TO ANY PRODUCT PURCHASED AND USED FOR PERSONAL FAMILY, HOUSEHOLD/RESIDENTIAL PURPOSES, AS DISTINGUISHED FROM COMMERCIAL USAGE.

Commercial use: ALL APPLICATIONS OTHER THAN PERSONAL USE AS OUTLINED ABOVE, ARE CONSIDERED COMMERCIAL USAGE.

How to Obtain Service: If you need service, call our customer service department at 1-800-791-9458.

Other Warranties: All other warranties, express or implied, including any implied warranty of merchantability is limited in its duration to that set forth in this express limited warranty. The provisions as set forth in this warranty provide the sole and exclusive remedy of the manufacturer's obligations arising from the sale of its products. The manufacturer will not be liable for incidental or consequential loss or damage. Some states do not allow exclusions of incidental or consequential damages, so the above exclusions may not apply in all states. This warranty gives you specific legal rights in your state, which vary from state to state.