

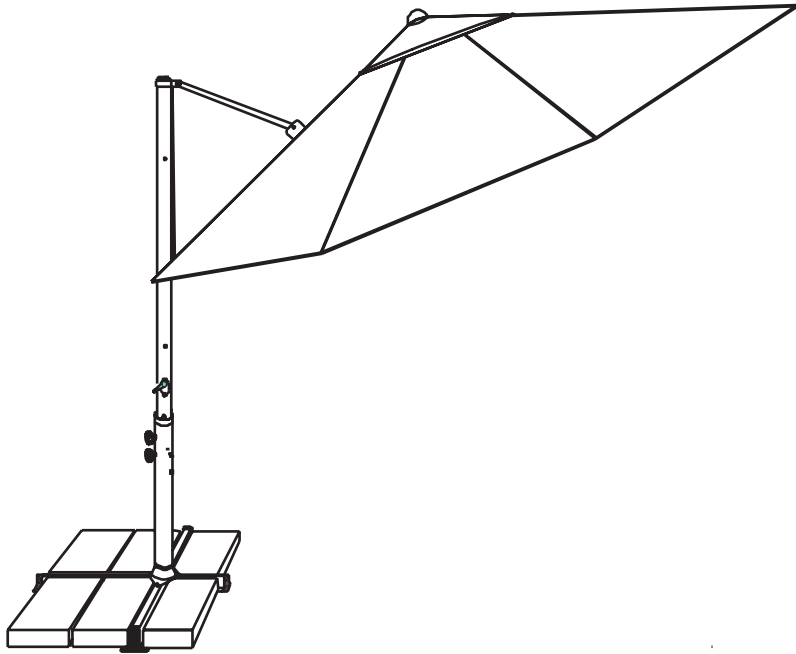


10ft Round Single Top Offset Umbrella

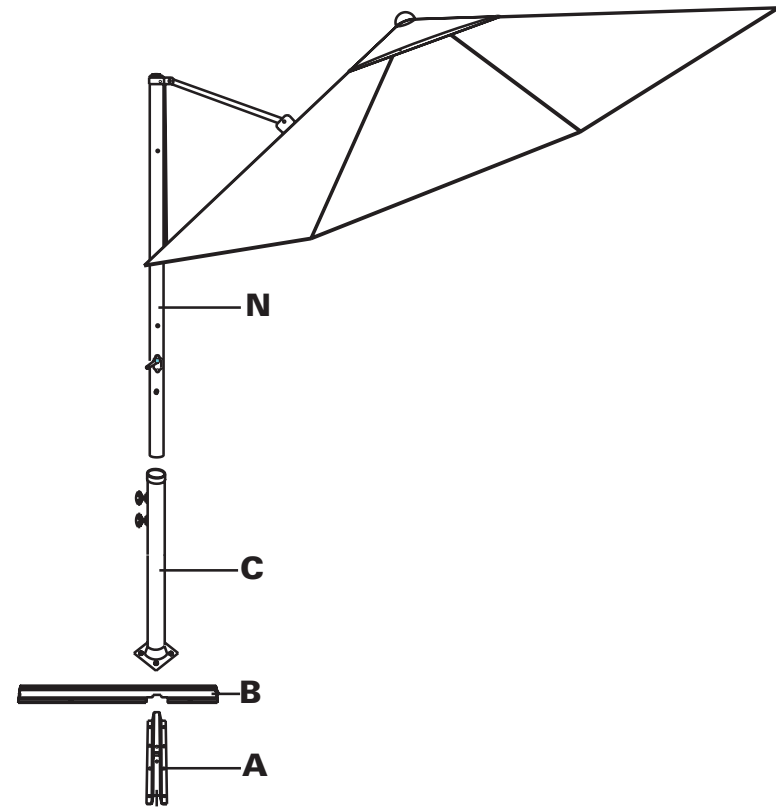
Assembly and User Manual

ITEM: UMB-490130

| Package Contents 2.



The schematics in this manual are for assembly and operation illustration only. They may differ from the umbrella's actual appearance. Patio stones are not included.

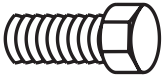



| PART | DESCRIPTION | QTY(PC) |
|------|---|---------|
| A | Lower Cross Leg | 1pc |
| B | Upper Cross Leg | 1pc |
| C | Holder Pole (with control knobs and holder pole ring) | 1pc |
| N | Umbrella Frame (with canopy) | 1pc |

If you have any questions, problems or need additional parts please **do not return** to the place of purchase. Contact our customer service department toll free at **1-855-880-7205** or email us at **customerservice@atleisure.com**

3. Hardware Contents |

| Assembly Instructions 4.

| PART | PICTURE | DESCRIPTION | QUANTITY |
|------|---|------------------------------|----------|
| G |  | Hex Bolt M10-1.5x20 A2-70 | 4pcs |
| H |  | Flat Washer M10 A2-70 | 4pcs |

PREPARATION

Before beginning assembly of product, make sure all parts are present. Compare parts with package contents list. If any part is missing or damaged, do not attempt to assemble the product or return to the place of purchase. Contact our customer service toll free at **1-855-880-7205** for replacement parts or further instructions.

Tools Required for Assembly: Open End Wrench or Adjustable Wrench (not included)

Remove all protective materials. Be careful not to throw away small parts such as screws, washers, etc. that may be wrapped in the protective materials.

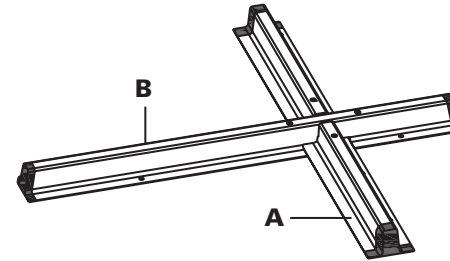


Fig. 1

Step 1. Place Lower Cross Leg (A) on the ground, line up notches and place Upper Cross Leg (B) cross over the Lower Cross Leg (A) as shown in Fig.1.

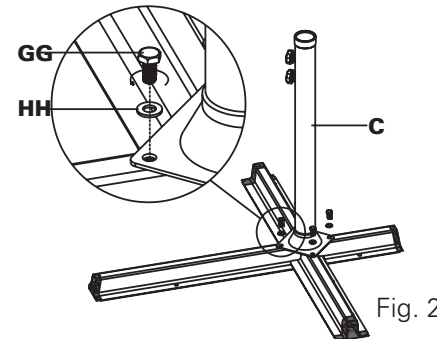


Fig. 2

Step 2. Attach the Holder Pole (C) to the base by using the Bolts (GG) and Washers (HH) (found in blister pack) as shown in Fig. 2. Hand tighten only. Adjust the Holder Pole (C) to be sure it is positioned correctly on the base. Finally tighten all bolts by Hex Allen Wrench (K). Do not to over tighten.

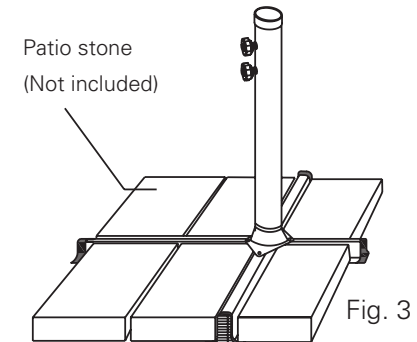


Fig. 3

Step 3. It is recommended that there be at least 150 pounds of weight such as patio stones or umbrella base (not included) placed on the Cross Legs for product stability as shown in Fig. 3.

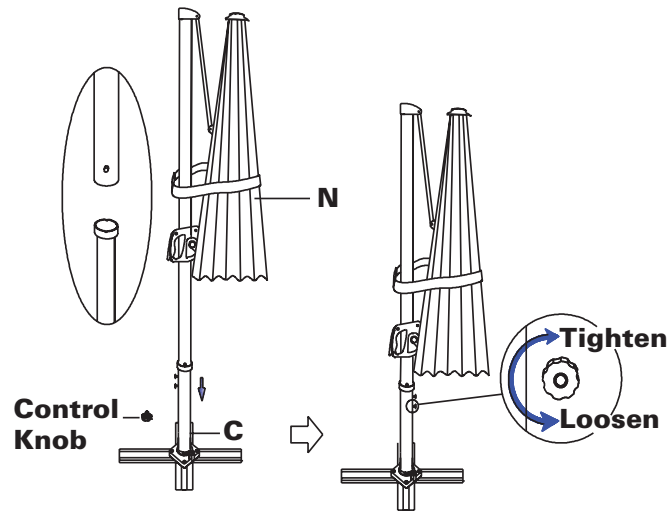


Fig. 4

Step 4. Unscrew the control knobs. Insert the pole of the Umbrella Frame with Canopy (N) into the Holder Pole (C) until the lower fixed stop pin sits on the Holder Pole Ring as shown in Fig. 4. Tighten back the control knobs into the Holder Pole (C) to secure the umbrella as shown in Fig. 4.

Step 5. Use appropriate anchors to permanently attach base to your wooden deck or concrete patio or use patio stones or offset umbrella base (sold separately) to weight down the umbrella base.

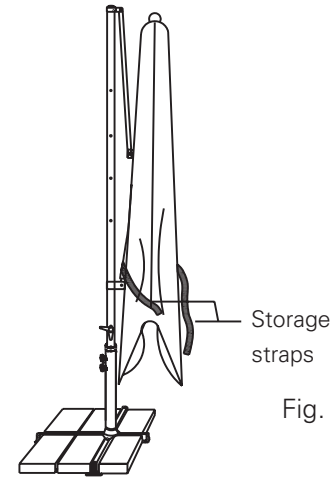


Fig. 5

Step 1. Unfasten the storage straps around the canopy as shown in Fig. 5

Step 2. Turn the crank handle in the open direction as shown in Fig 6 to start moving the slide collar up and opening the canopy. If the crank does not click and the Slide Collar does not move up when you turn the crank handle in the open direction, it's because the rope is loose and needs to be wound around the crank shaft and stretched. Keep turning the crank handle several turns in the open direction to wind and stretch the rope, the slide collar will move up.

Step 3. The Slide Collar will move up (being pulled up by the rope). When it reaches any one of the three (3) holes on the pole, insert the Stop Pin with Chain into the hole to stop the slide collar.

Step 4. To fully open the canopy, continue turning the crank handle in the open direction until the lower center hub reaches the end of the support pole and the canopy in proper tension.

If the crank becomes too hard to crank, check to see if the rope has come off the pulley. If you continue to turn the crank, the rope could break.

Contact our customer service toll free at **1-855-880-7205** for further assistance.

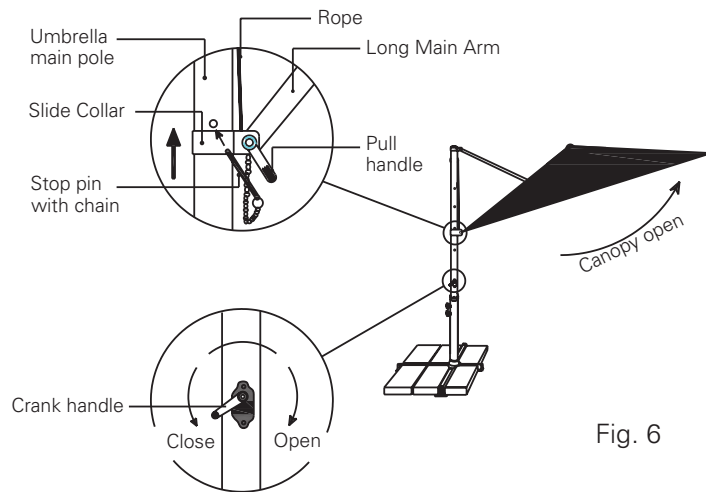


Fig. 6

Step 5. If the canopy does not cover the area on your patio as expected (does not offer the shade to the area), you may need to adjust the position of the canopy to cover your desired area. Loosen the control knobs (Refer to Fig. 4) and turn the umbrella pole around its axis to let the canopy move to be over your desired area. Finally make sure to tighten the control knobs to secure the umbrella.

Step 6. The umbrella has a unique design that moves the pole out of your way and off to the side. The multiple position canopy can rotate 360° around the axis of the main pole to offer the shade on your expected area around the umbrella as shown in Fig. 7.

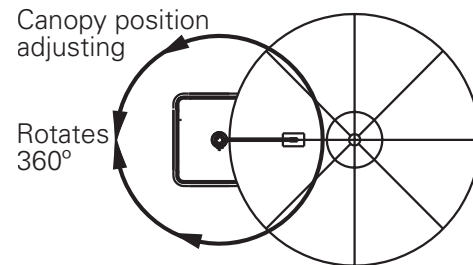


Fig. 7

1. Do not use this umbrella during periods of high wind and rain. Failure to do so may result in personal injury and/or property damage.
2. Be sure to secure and/or weight the base of the umbrella with at least 150 lbs of weight to prevent the umbrella from tipping over.
3. Always take the umbrella down when not in use.
4. Placement of the umbrella over or near a swimming pool can cause premature fading of the canopy. This is not covered under our warranty.
5. To prevent damage to the canopy, open the umbrella facing the opposite direction that the wind is blowing.

CANOPY CARE INSTRUCTIONS:

Simply clean the umbrella canopy with a soft brush and mild detergent!

Do not machine wash.

Do not iron.

Air dry the canopy thoroughly before storing for extended periods of time.

Make sure the canopy is completely open during drying process to prevent shrinkage.

9. Warranty |

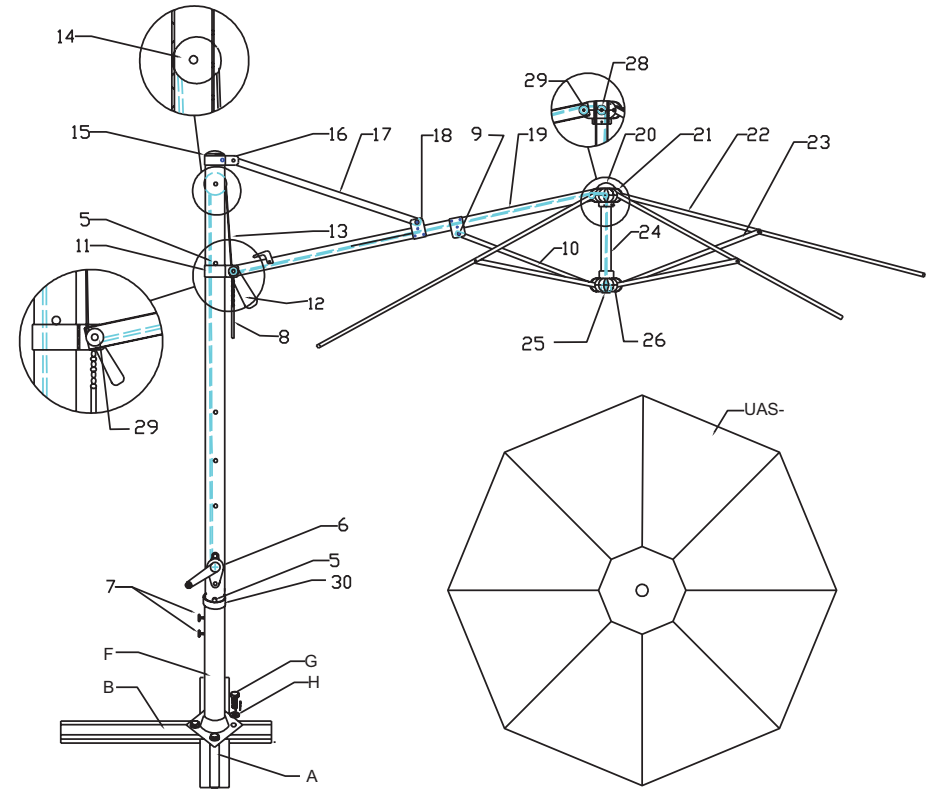
90-DAY WARRANTY

This product is covered under a manufacturer's 90-day warranty from date of purchase against defects in materials and workmanship. This warranty does not cover damage due to neglect, abuse or weather related damage. For full warranty disclosure, email us at customerservice@atleisure.com.

HOW TO FILE A CLAIM

If you are within your warranty, to file a claim you must have your receipt and pictures of your damaged umbrella. Email information to ATLeisure at customerservice@atleisure.com.

| Replacement Parts 10.



11.Replacement Parts (cont'd) |

| No. | Description | Qty. | Re-order No. | No. | Description | Qty. | Re-order No. |
|-----|-------------------------|------|---------------|-----|------------------------------|------|-----------------|
| A | Lower Cross Leg | 1pc | CSL-C48T-TPE | 16 | Top Collar | 1pc | TPC-1648-TPE |
| B | Upper Cross Leg | 1pc | CSL-D48T-TPE | 17 | Short Main Arm | 1pc | SMA-1710-TPE |
| G | Hex Bolt | 4pcs | HDW-GG | 18 | Main Bracket | 1pc | BKT-910-TPE |
| H | Flat Washer | 4pcs | HDW-HH | 19 | Long Main Arm | 1pc | LMA-1910-TPE |
| F | Holder Pole | 1pc | HDP-F48T-TPE | 20 | Umbrella Cap | 1pc | DCC-20-TPE |
| 5 | Stop Pin | 2pcs | STP-48-SLVR | 21 | Top Rib Holder | 1pc | URH-2110-TPE |
| 6 | Crank Assembly | 1pc | CRK-748C-SLVR | 22 | Upper Rib | 7pcs | LNR-2210-TPE |
| 7 | Control Knob | 2pcs | HDW-29CK | 23 | Under Rib | 7pcs | SRB-2510-TPE |
| 8 | Stop Pin with chain | 1pc | SPC-848-SLVR | 24 | Support Pole | 1pc | RHB-2410-TPE |
| 9 | Short Rib Bracket | 1pc | BKT-910-TPE | 25 | Lower Rib Holder Cap | 1pc | RHC-2810-TPE |
| 10 | Main Short Rib | 1pc | MSR-1010-TPE | 26 | Lower Rib Holder | 1pc | LRH-2110-TPE |
| 11 | Slide Collar | 1pc | SLC-1148-TPE | 28 | Rib Support Pole Pulley | 1pc | MAP-3310-TPE |
| 12 | Pull Handle | 1pc | PLH34-BLK | 29 | Main Arm/Slide Collar Pulley | 2pcs | SCP-4010-TPE |
| 13 | Rope | 1pc | RPE-13ST | 30 | Holder Pole Ring | 1pc | HPR-3048-TPE |
| 14 | Main Pole Pulley | 1pc | MPP-1448-TPE | UAS | Canopy | 1pc | CAN-1008RBP-DKB |
| 15 | Pole Top Decorative Cap | 1pc | PCP-1548-TPE | | | | |

This ATLeisure product is covered by U.S. Patent No. 5,937,882 and U.S. Patent No. 8,104,492.



www.atleisure.com
 ATLANTA, GEORGIA
Customer Service Toll Free 1-855-880-7205
 Monday through Friday from 8:00am-5:00pm
 (Eastern Time)