



*desk fan
user manual*

*ARK 293
ARK 294*

Please read this manual first!

Dear Customer,

We hope that your product which has been manufactured in modern facilities and passed through a strict quality control procedure will give you the best results.

Therefore, we advise you to read through this manual carefully before using your product and keep it for future reference.

This operation manual will...

...help you use your machine in a fast and safe way.

- Please read the Operation Manual before installing and starting your machine.
- Particularly follow the instructions related to safety.
- Keep this Operating Manual within easy reach. You may need it in the future.
- Please read all additional documents supplied with this machine. Please note that this Operating Manual may be applicable for several other models. Differences between models will be identified in the manual.



This product has been produced in) environmentally friendly, modern facilities



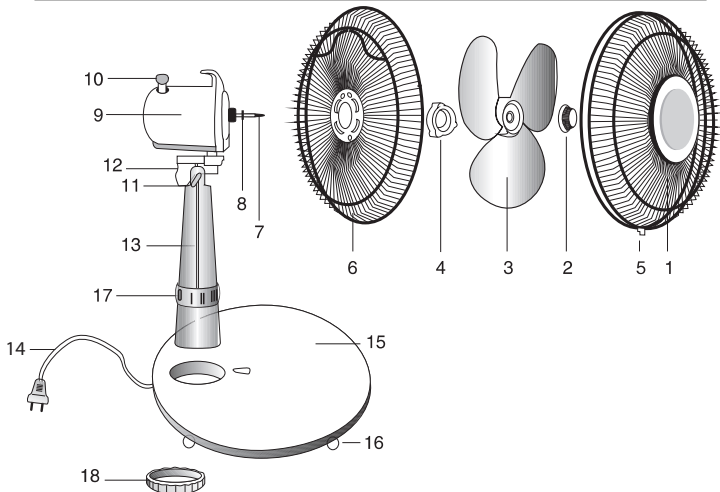
Contents

1 Safety Warnings	2
2 Technical Aspects Of Your Machine	3-6
3 Using Your Machine	6-7
4 Maintenance And Cleaning	7

1 Safety Warnings

- Do not ever plug the fan without finishing the assembly.
- Before plugging the fan, make sure that the source power is the same as the declared voltage on the model sticker.
- Make sure that speed setting switch is in position “0” before plugging your fan.
- Always place your fan on stable surfaces, keep away from watery places like bath tub, swimming pool and shower.
- Keep away from children.
- Do not ever use your fan with wet hands.
- Before moving your fan be sure that the speed setting switch is in position “0” and it is unplugged.

2 Technical Aspects Of Your Machine



- 1** Front guard
- 2** Blade fixing nut
- 3** Blade
- 4** Guard fixing nut
- 5** Guard lock
- 6** Rear guard
- 7** Motor shaft
- 8** Pin
- 9** Motor
- 10** Oscillating knob
- 11** Butterfly screw
- 12** Neck
- 13** Body
- 14** Supply cord
- 15** Base
- 16** Base rubbers
- 17** Speed setting
- 18** Base fixing nut

ARK 293

Power : 45 W

Voltage : 230 V ~

Frequency : 50 Hz.

Isolation class : II

Water penetration class : Ordinary

ARK 294

Power : 55 W

Voltage : 230 V ~

Frequency : 50 Hz.

Isolation class : II

Water penetration class : Ordinary

Values stated on your product labels or in the documentation accompanying it are obtained in laboratory in accordance with the relevant standards. These values may change depending on operational and environmental conditions of the product.

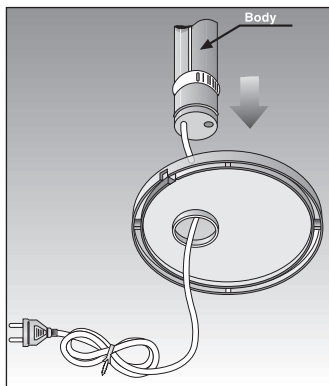
Fan Assembly and Preparation to Use

Assembly of the Base

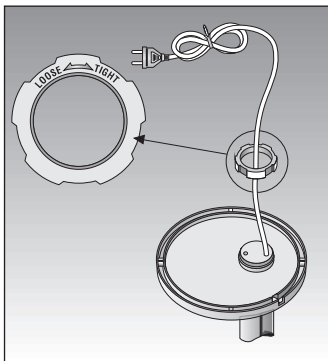
1- Unscrew the base fixing nut from the body (part no:18).

2- Hold the base (part no: 15) with base rubbers facing down and insert the supply cord from the hole. Then insert the body to hole, (you should align the body goes into the groove to the base, correct position)

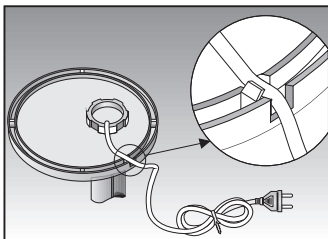
ATTENTION: Do not make assembly if your fan is broken or damaged.



3- Hold the fan up side down from the body and insert the supply cord through the fixing nut with the instructions facing up and screw it.



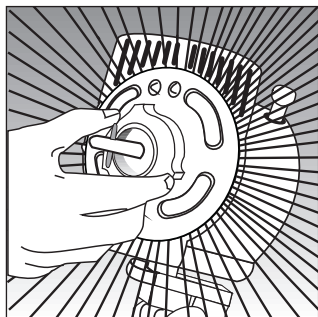
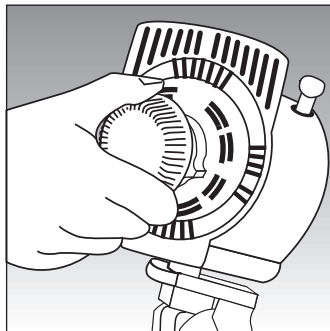
4- After screwing the nut place the supply cord through the canal located on the edge of the base and lock it by banding the base. Now your fan is more stable and the cord will not border you.



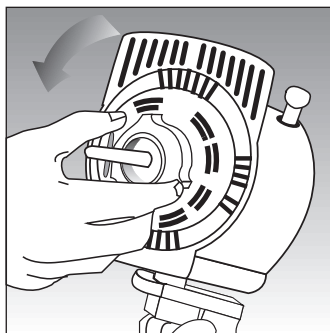
Rear Guard Assembly

1- Take out the blade fixing nut from the pivot by turning clockwise.

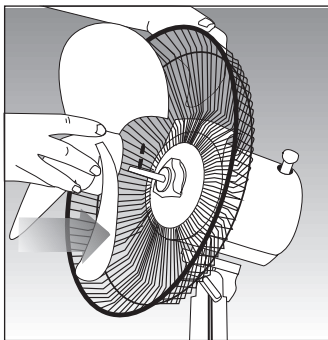
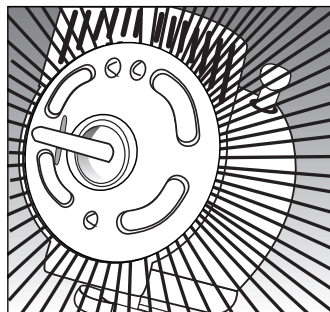
2- Take out rear guard joint nut by turning counter clockwise.



3- Place the rear guard by locating the 3 bars on the motor to the 3 holes on the guard.



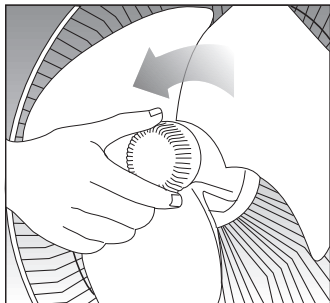
4- Put the joint nut into place and fix by turning clockwise.



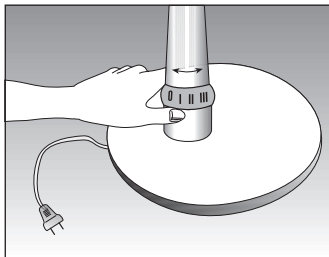
Blade Assembly

ARK 293 : Place the blade by aligning with the groove on the blade with motor pin.

ARK 294 : Place the blade by aligning with the hole and motor shaft.



The operation should be done properly. Otherwise the blade will turn in space and damage the product. Fix the blade fixing nut by turning counter clockwise according to the direction given on the nut.

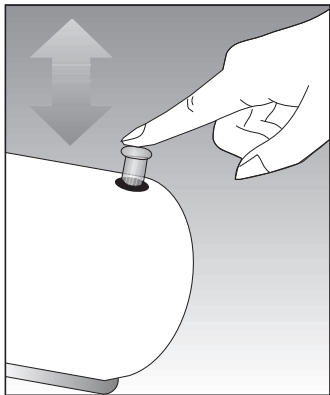


Speed Setting

You may run the fan by moving the rotary switch left / right and choosing a speed position.

To turn off set the switch in position "0".

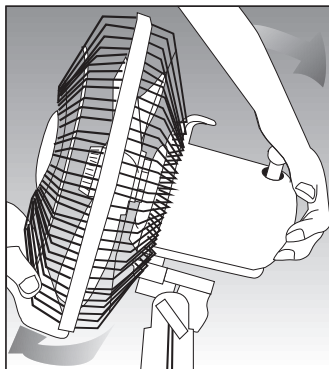
3 Using Your Machine



Oscillation

If you want your fan to spin left and right within a definite angle and blow out air press the oscillation knob.

To stop the process pull the knob for the previous position.

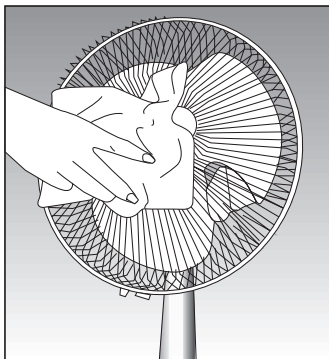


Adjusting The Blow Out Angle

Before adjusting the blow out angle turn off your fan. Then you may adjust the blowing angle by moving the guard upwards and downwards as show on the picture.

4 Maintenance And Cleaning

- 1- Make sure that the fan is turned off and unplugged before starting any cleaning process.
- 2- Do not use substances which may damage the product Rinse with a damp piece of cloth and do not use before the fan gets dry.
- 3- Do not immerse into water or any other liquid.
- 4- Contact with the authorized technical service if the supply cord needs repair or change.



WARNING! When cleaning the guard and blade they should be disassembled. After cleaning the blade and guard should be assembled again.