

---

**bittel**

**BITTEL**

**User Manual**

**bittel**

**Cover Models**

HCD9888(67)TSD-S  
HA9888(67)TSD-S  
HA9888(68)TSD-S  
HCD9888(68)TSD-S  
HCD9888(67)TSD-T  
HA9888(67)TSD-T  
HA9888(68)TSD-T  
HCD9888(68)TSD-T

***Followed description maybe different from the real device. Please keep the real device as the criterion. The telephone is subject to change without notice. In order to fully use this device please read this manual carefully.***

***We bring good things to Hospitality.***

---

***Thank you for purchasing a Bittel product.***

## **MAIN FEATURES**

UNO Media series telephones are specially designed to meet the need of hotel guestroom. UNO is made of first class electrical materials, awarded several patents, which give UNO a variety of functions and magnificent appearance. UNO consists of two types of phones, the classical version has all the features of hotel telephone needed, besides the classical version features, the multifunctional version also has some special features, such like alarm radio, iPod port, USB charge port .

### **Some features as below:**

- 10 speed dial memory keys
- Program memory keys with R.P master cloner and handheld cloner
- Push-draw style individuation faceplate ,easy printing the hotel logo and user guide
- Message waiting light compatible with main PBX, MWL indicator and withdraw feature
- Hearing aid compatible handset
- Speaker and handset volume in three level control
- Ringer volume to high or low control, two line control intelligently
- Default 600ms hook switch flash, adjustable and store
- Busy tone disconnect automatically
- Redials the last number dialed and dialed number disappear within 5 minutes
- Hold current call in waiting mode
- Stop sending during calling
- SPEAKER
- LINE1, LINE2 and Conference
- DTMF/FSK CALLER ID
- Data port
- Data switch
- Alarm , Radio , audio , power charge in one device
- Easy port to connect iPod, MP3 audio device , premium stereo acoustics
- Power charge for portable type iPod and mobile device
- Adjust clock time with special wireless timing cloner

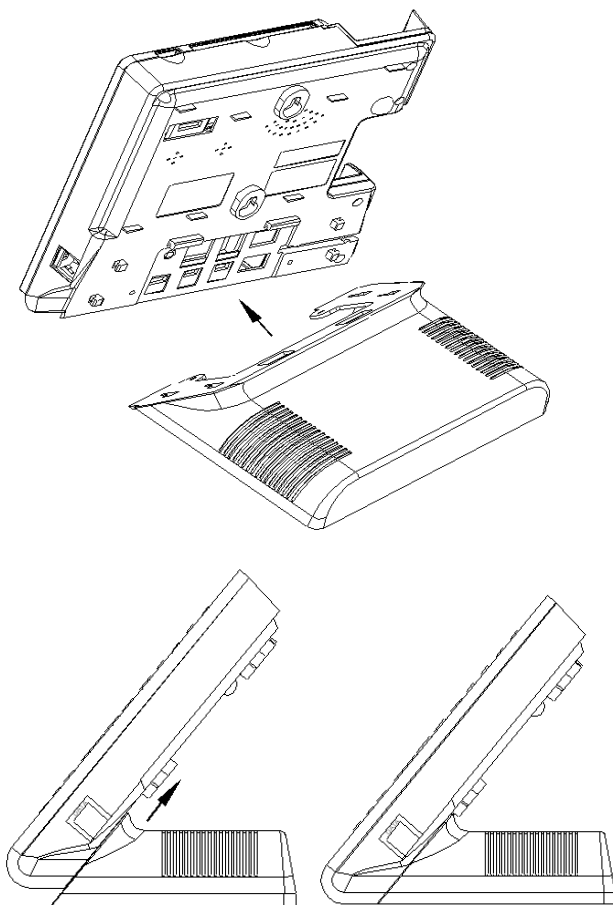
## **INSTALLATION**

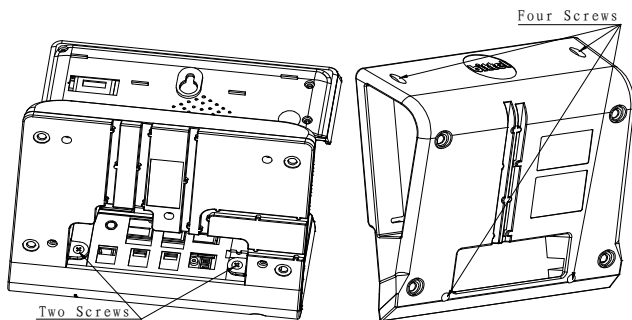
### **1. Install base, bottom, paper faceplate and faceplate holder**

Please view the following figures to install the base, bottom base, paper faceplate and the holder for the faceplate. Just according to the narrow direction and

---

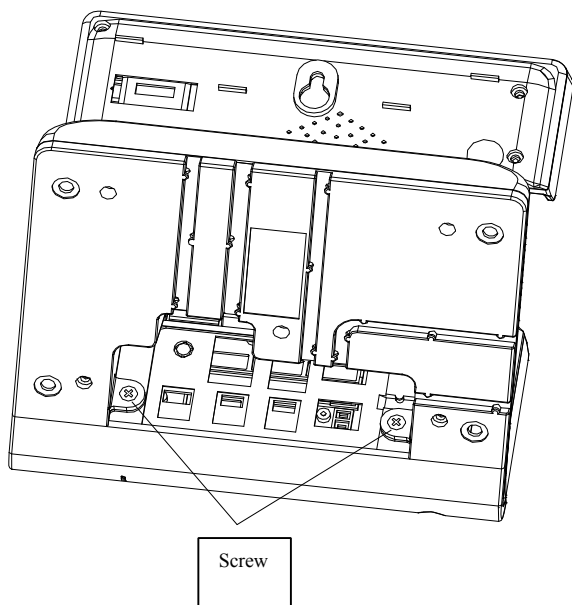
push to the right position. Then fix the device with attached two or four pieces screws.





Base Unit 1

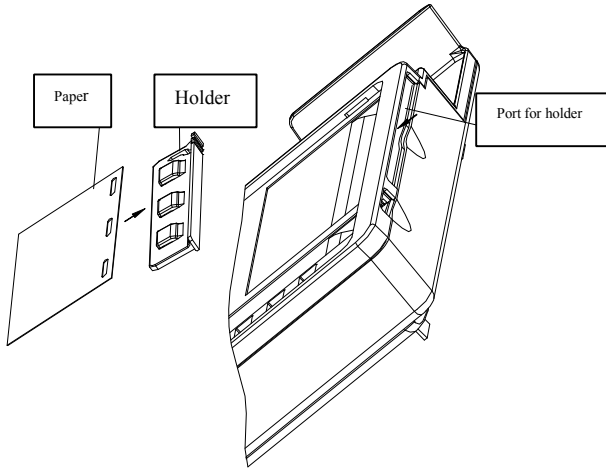
Base Unit 2



---

## 2. Install Faceplate

Insert the attached corded handset cord one end into the jack of handset, then insert the other end into the jack which on the back of base (marked 2



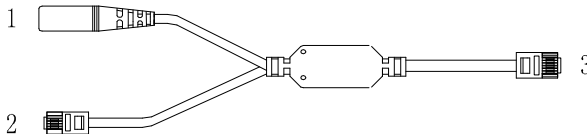
and 12 in below figure)

## 3. Install telephone cord

Insert the one end of the straight line cord into the jack labeled "TO TEL" (marked 14 in below figure), then insert the other end of the line cord into a telephone wall jack.

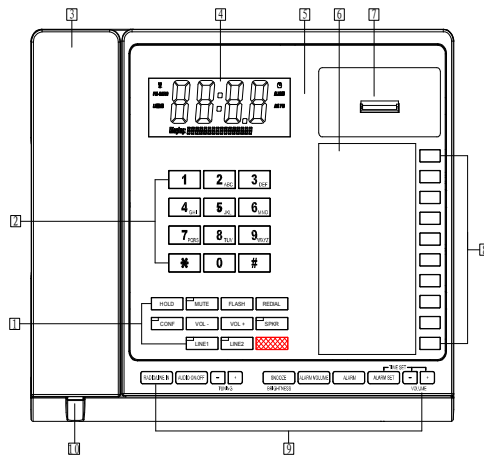
## 4. Install Power and Telephone cord (only for model 68 Media)

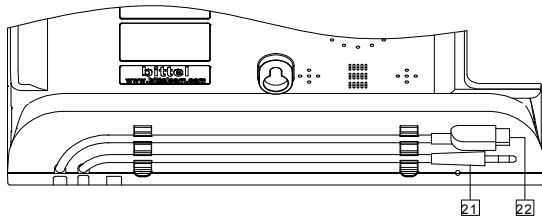
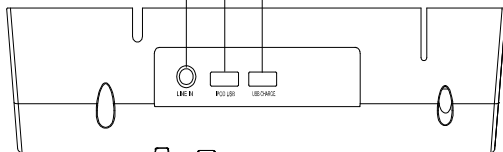
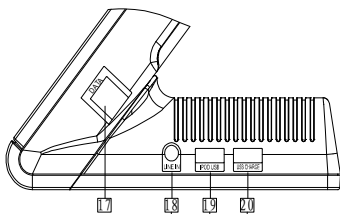
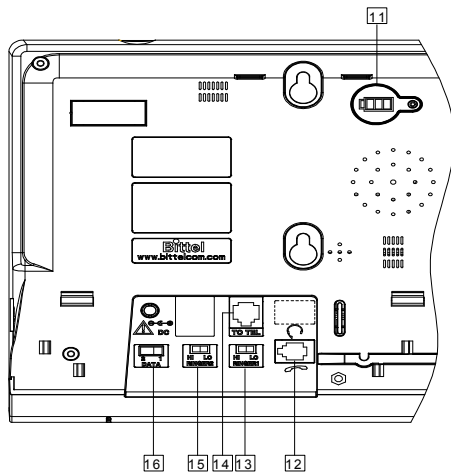
First please connect the T-Cable's power jack (Marked 1 in the below figure) with the power adaptor. Then please connect the T-Cable's RJ11 (4 pin. Marked 2 in the below figure) with the telephone line jack in the room. Finally please connect the T-Cable's RJ11 port (6 pin. Marked 3 in the below figure) to telephone set's "TO TEL" port, which is on the back of the phone.



## 5. Matters Need Attention

- Adopt magnetic switch instead of traditional mechanical switch, please far away from magnetic field.
- Do not use it in extreme temperatures.
- Do not use aerosol polish, abrasive cleaners.
- Do not tamper with or attempt to modify the phone, it would make it unsafe to use.
- Handle with care, avoiding hard knocks and shocks.
- If there is any fault please contact your distributor for repair and other service.





---

## LOCATION AND CONTROL

- 1 Function keys and Message Waiting Light
2. Digital keys
3. 10(12). Hearing aid compatible handset and handset jack.
4. Display window—Display the Time, Alarm, Sound and Caller ID
5. Infrared Receiving Area ----- Receive the signal of the Infrared Time Control, for adjusting time (68 series only)
6. Paper faceplate— For printing hotel logo and user guide.
7. iPod Dock – Charge or play iPod, iPhone, etc
8. Memory keys- Support One-Touch memory key
9. Function keys of acoustics—For realizing the features of the acoustics.
11. Battery box—Support continue power to clock when no outside power.
- 13 & 15. Ringer switch—Adjust phone ringer volume Hi or Low
14. Straight line & Power jack —Modular jack to connect the straight phone line and power from Phone Port of T-Cable.
16. Data switch —Modular jack to select the data line.
17. Data port—Provides access to telephone line for modem, fax or answering machine.

## HOW TO USE

### How to use the telephone

#### 1. Adjust the call volume

During the call, press VOL+/- key to adjust the volume level of handset and speaker. Handset volume resume to low level and speaker stored the current level after the telephone on-hook.

#### 2. Handset call and speaker call inter-converting

- a. From handset to speaker  
Just press SPKR key and put the handset on the cradle
- b. From speaker to handset  
Just lift handset

#### 3. Receiving new call

- a. When the phone rings, just off-hook to answer the call;
- b. For two line mode, when one line has a call and another new call coming, just press the accordance line key to answer the new call and another line hang up automatically.

Press the HOLD key if users like to hold the current call, then press the accordance line key to resume.

#### 4. Three way conference



- 
- a. Press HOLD key to hold the current line then connect another line, after that please press CONF key enter into three way conference mode. On-hook status to finish the conference.
  - b. In conference mode, press the accordance LINE key to relieve the conference mode and talk with one party. Or press HOLD key to hold the two lines and then press the desired line key to talk with the selected line, then press CONF key to resume the conference mode.

### **5. To redial the last number dialed**

Press REDIAL key to dial the last number dialed but after five minutes the number will disappear automatically.

### **6. Using the hold key**

Off-hook mode, press HOLD key (the accordance LED indicator light) and put the handset back, the current line in hold mode, off-hook again can relieve the hold mode.

If paralleled telephone answer the call, the original phone will detect the current status and relieve the hold mode and realize on-hook.

### **7. Mute**

During the call, press MUTE key once to stop the sending for handset and speaker, press it again to relieve the mute mode and resume the calling.

### **8. Adjust ringer volume**

With the adjustment control which locate on the back of the telephone to adjust the ringer to Low or Hi.

### **9. Busy tone disconnect automatically**

If the handset not on cradle after a phone call, this device can on-hook automatically after getting busy signal within a definite time. Then the line will connect accordingly.

### **10. CALLER ID feature**

With the phone set powered for the first time, when receiving caller ID information, it can recognize the FSK & DTMF automatically and memory them. If user want to change the format, must disconnect and re-power again. In order to defend secret, the caller ID number will disappear within a definite time

### **11. Using one touch memory keys**

Off-hook mode, press each memory keys to dial the number directly.

#### ***Store the memory number:***

On-hook mode, press HOLD key+ desired number+ HOLD key+ memory key

---

## **12. MWL**

Off-hook mode, press this key can dial the stored number directly, withdraw the message and other service.

On-hook mode press this key can realize off-hook and dial the stored number directly, Press it again can realize on-hook mode.

(For USA market, withdraw message indirectly)

### ***Store the message number:***

On-hook mode, press HOLD key + desired number +HOLD +MWL key

## **13. Programming Memory Keys**

For this part please kindly refer the manual of Bittel Handheld cloner and R.P master cloner.

## **Maintenance and troubleshooting**

### **1. No dialing tone of handset**

Check the telephone network,

Check the connection of handset cord and straight line cord

### **2. No ringing or no continually ring**

Check the telephone line

Check the quantity of parallel phone set

### **3. Noise during talk**

Check the telephone line

Check the handset cord

### **4. No caller ID**

Check if the caller ID feature is working

Check the power supply

### **5. Acoustics no sound**

Check the device connect to power or not

Check the 10pins ribbon cable and AUDIO CONNECTION

### **6. No signal or nersy noise after radio selected the channel**

Adjust the direction of the radio antenna

No the selected channel in local

## **FCC APPROVAL**

Complies with Part 68 of the FCC rules. On the bottom of this telephone is a label that contains, among other information, the FCC registration number and the ringer equivalence number (REN) for this telephone. If requested, you must provide this information to the Telephone Company.

## **CE APPROVAL**

Complies with CE approval.

---

## **JACKS**

Use RJ11C USOC standard modular jacks.

## **WARRANTY**

This product is warranted for a period of 12 months from the date of purchase against faulty materials or workmanship. If during this period a defect arises, we may repair or replace the product, at Bittel's discretion, provided that:

- 1) The product has not been used for any purpose other than normal use,
- 2) Unauthorized product repair or modifications have not been attempted.
- 3) The product has never been used in a harsh or corrosive environment.
- 4) No damage in transit

THIS LIMITED WARRANTY GIVES THE BUYER SPECIFIC LEGAL RIGHTS. THE BUYER MAY ALSO HAVE OTHER RIGHTS WHICH VARY FROM JURISDICTION TO JURISDICTION.

This warranty is only valid for merchandise purchased directly from Bittel or dealers or distributors Bittel Co. authorized .

## **FCC WARNING**

This device complies with part 15 of the FCC Rules. Operation is subject to the following two conditions: (1) This device may not cause harmful interference, and (2) this device must accept any interference received, including interference that may cause undesired operation.

## **CONTACTING BITTEL**

Telephone: (86) 633-2212119/2212113/2212103/2212125

Internet: [www.bittelgroup.com](http://www.bittelgroup.com)

Email: [info@bittelcom.com](mailto:info@bittelcom.com)

Address: Shandong Bittel Electronics Co.,Ltd. No. 1 Rizhao North Road, Rizhao, Shandong, 276800, China

Copyright © 2013 Bittel Inc. All rights reserved.

M510670110100 V6