



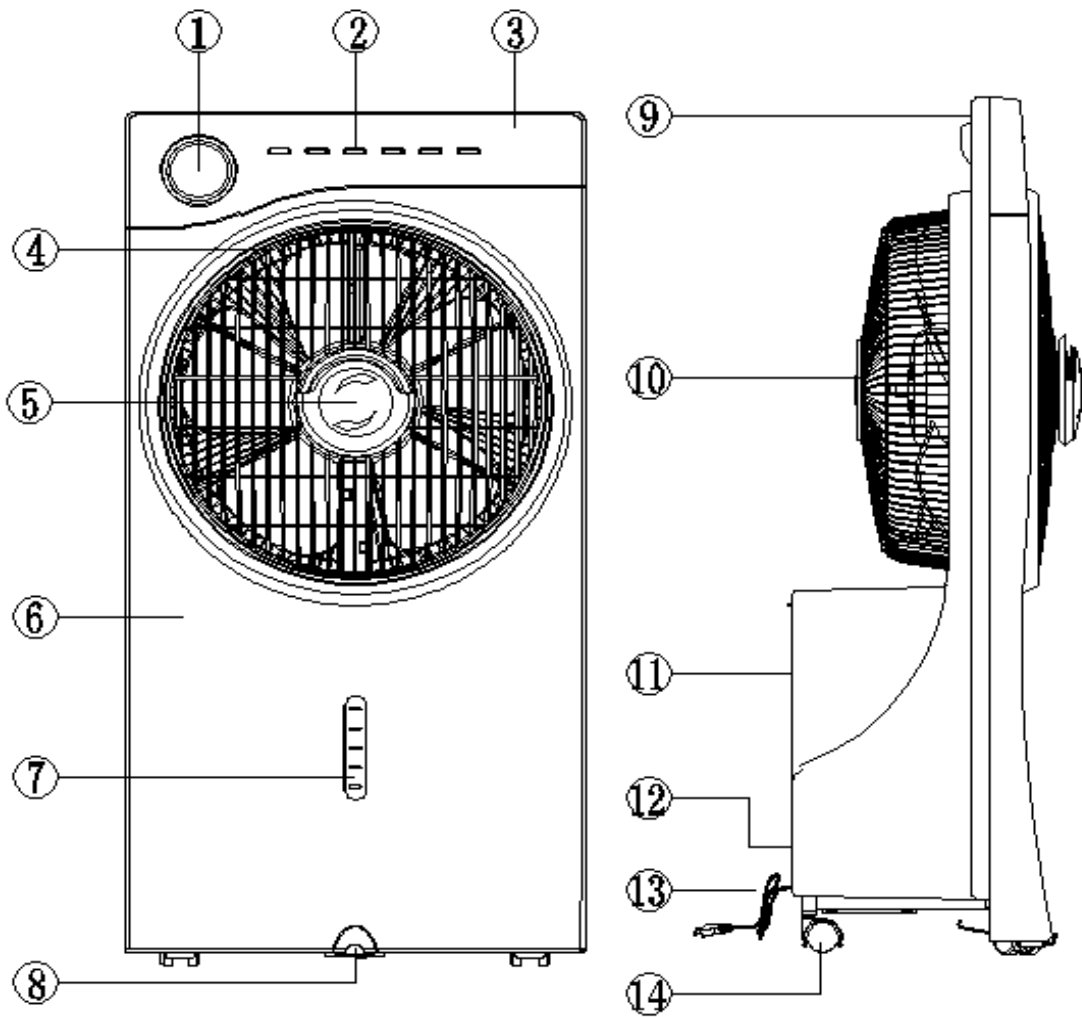
Manufactured By: www.lavaheat.com

Model Name: Amiti

Instruction Manual



1. Digital screen display
2. Buttons
3. Control panel
4. Air louver
5. Misting plate
6. Front cover
7. Water level indicator
8. Bracket stand
9. Back cover
10. Rear grille guard
11. Water tank
12. Drain cover
13. Lead wire
14. Swivel castor



Features

This air mist cooler functions as mist machine, ionizer and air cooler. You can use these functions all at the same time or separately.

Misting function: High frequency vibration (Frequency 1.7 MHz or 2.4MHz) on the ceramic misting plate shatters the water molecule and forms an elegant dry mist. No need to heat or put any chemical agent. Dry mist can wipe off the formaldehyde, carbon monoxide & bacteria in the air and to keep you healthy.

Negative ion function: Negative ions fresh up the air. There are many positive ions in the air like solid particles, bacteria & chemical fog. When they meet, their structure will be changed and will lower its activity, which can make the air pollutants drop to the ground.

Photocatalyst function: decomposing noxious gas and inorganic compound in the air, inhibiting the growth of the bacteria and the activity of the virus, which can freshen the air.

Read all these instructions before attempting to operate this product and keep these instructions for future reference.

Important Safety Instructions

- This fan is designed for 120v/60Hz electric supply.
- Before cleaning or moving the fan, make sure it is unplugged. When unplugging, grip the rubber part of the plug and do not pull the lead wire.

- Model: CM-126P
- Voltage:120V 60Hz
- Air Power: 90W
- N.G.: 6.5KGS
- Water Capacity : 2.5L
- Misting volume: 130ml/h
- Misting power: 32W
- Up to 19 hours maximum misting time

- Do not pull the plug with wet hands to avoid electrical shock.
- Do not excessively bend, stretch, intertwine or pinch the electrical cord. Do not replace the electrical cord yourself. If the electric cable is damaged, it must be replaced by qualified technicians or personnel to avoid accidents.
- Do not put any foreign object on the inlet or outlet that will obstruct the airflow.
- Do not place the unit near water or fire.
- Do not spray pesticide or detergent to the fan to avoid any damage to the rubber finish.
- When fan is not in use for a long time , please turn off the unit and unplug the air mist cooler. Remove the batteries from the remote controller.
- Do not attempt to repair the air mist cooler yourself. It must be repaired by qualified technicians only.

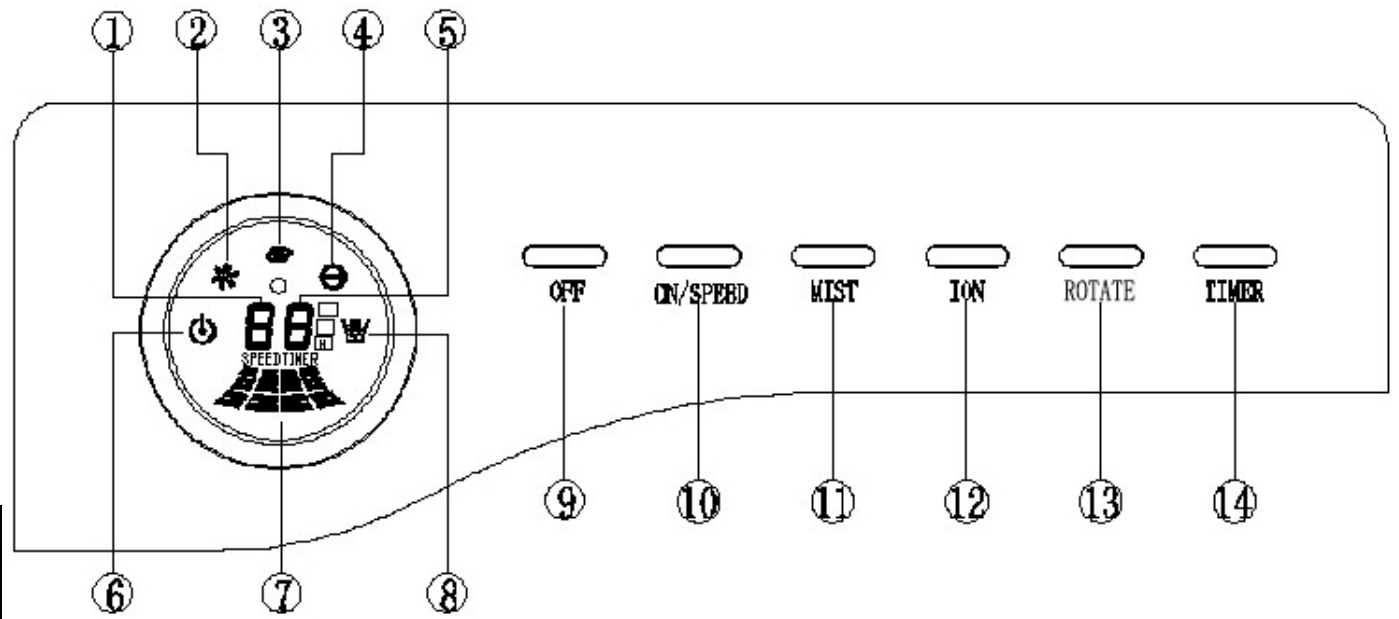
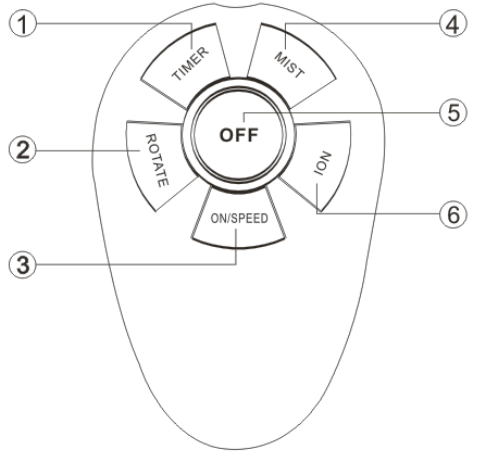
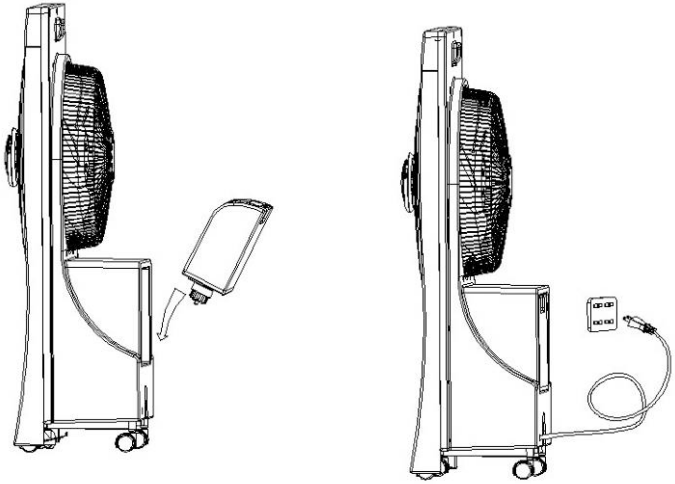
Safety Precautions

- Place the air mist cooler in a leveled floor and do not operate the unit leaning on one side or lying down.
- When transporting the air mist cooler, unplug it and grab the handle at the back to lift the unit.
- Keep this fan out of reach of children or persons with disability. Do not let them operate or use the unit without adult supervision.
- When operating the fan, do not put your finger or other objects into the grille.

Operating procedure

- Fill water into the water tank, then install the water tank to the unit's body. Please be sure that the water tank has been securely fastened to the back cover. (Please refer to picture 1).
- Put the air mist cooler in a stable place, insert the plug into the socket, press on/speed button to start the fan. (Please refer to picture 2).

Picture 2



- 2. Fan function icon
- 3. Rotation icon
- 4. Ion function icon
- 5. Timer icon
- 6. Power on icon
- 7. Flashing icon
- 8. Misting icon

- 10. On/ Speed button
- 11. Mist button
- 12. Ion function button
- 13. Rotate function button
- 14. Timer button

- 2. Rotate function
- 3. On/wind speed function
- 4. Mist function
- 5. Off button
- 6. Timer button

Operating procedure

Power on : After the power plug is inserted into the socket, buzzer will emit an electronic

Sound and the digital display screen will momentarily turn on, the air mist cooler will be on standby.

- **ON/SPEED** : Press the on/speed button, the digital screen will display wind speed at 1, and fan function icon will turn on at the same time. Continue to press this ON/SPEED button, the wind speed will change to middle power and display at 2, press the button the third time and the wind speed will change to strong power and display at 3. The wind speed follows the sequence 1-2-3 accordingly whenever the operation/wind power key button is pressed.
- **MIST** : Press the MIST button to start the misting function, the digital screen will display the misting icon, press it one more time, the misting function will stop and the misting icon is turned off.
- **IONIZER** : Press the ION button to start the ION function, the digital screen will display the Ion function icon, press it one more time, the Ion function will stop and the Ion function icon is turned off.
- **Rotate** : When the fan function is on, press rotate button to start the air louver function. The digital screen will display the rotation icon, press it one more time, the rotation will stop and the rotation function icon is turned off. Please note that when the fan function is in the off position, the rotation function cannot be used.
- **TIMER** : When the fan or the misting function is on, press the Timer button to start timer function. The digital screen will display the H icon and timer icon displays at 1 hour, the timer icon will switch from “1 hour→2 hours→3 hours→.....→9hours→timer off” accordingly in this sequence whenever the Timer button is pressed. This means that the fan or misting function and the timer icon will be on until timer automatically turns off or when you manually switch the power off button.

Operation of remote controller

- Working distance is 5 meters, with an angle of 45 degrees.
- If the remote controller is within the working angle and distance but still does not function normally, please replace the batteries.
- Please do not allow children to play with the remote controller.

Maintenance and Storage

Please clean the water tank and the misting box, also the misting plate one time every two weeks. Please refer to the follow instruction.

1. Clean the water tank:

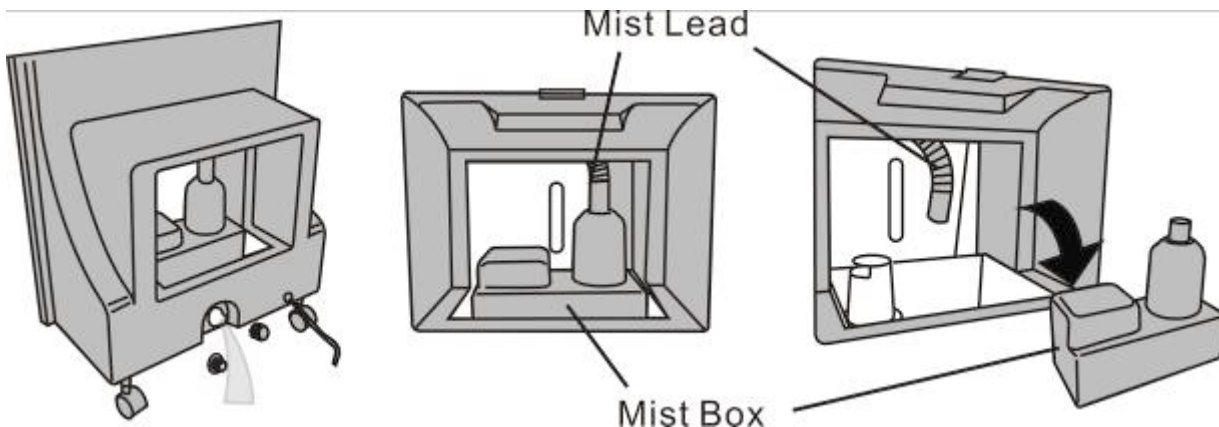
Remove the water tank, use hose to wash the water tank and remove stains using cloth. Let it dry naturally.

2. Clean the misting box:

1). Pull out the power plug from the socket.

2). Pull the misting lead hose off from the misting box and take the misting box out. Put 2-3 drops of the cleaning solution on the mist machine, wait for a minute then clean the mist machine using a brush. Wash the mist machine with water and dry it using a cloth. ((Please refer to Picture 3)

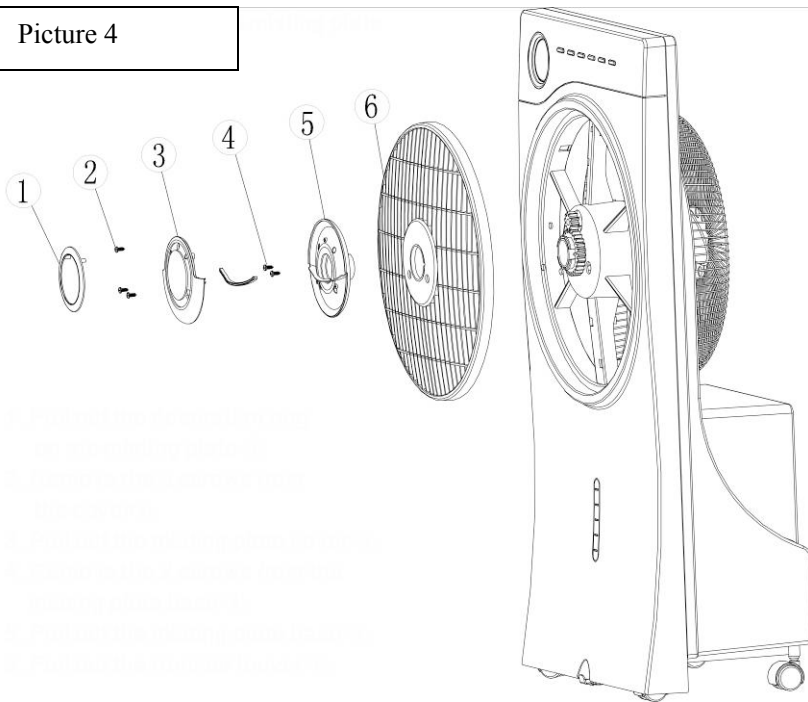
Picture 3



3. Clean the misting p plate (Please refer to picture 4) :

- 1). Pull out the decoration ring on the misting plate ①
- 2). Remove the 3 screws from the cover②.
- 3). Pull out the misting plate cover ③.
- 4). Remove the 2 screws from the misting plate base ④.
- 5). Pull out the misting plate base ⑤.
- 6). Pull out the front air louver ⑥.

Picture 4



4. Appearance cleaning

Wipe dust and stain on the body of the unit using a damp cloth. In case of serious stains, use a mild detergent with water and remove the stains using a soft cloth.

Please do not use any corrosive cleansing liquid such as gas or alcohol to clean any plastic parts of the air mist cooler.

Keep the air mist cooler inside a box and store in a cool and dry place.