

XYR 6000 Wireless Transmitter Gauge Pressure Models

STGW944	0 to 500 psi	0 to 35 bar
STGW94L	0 to 500 psi	0 to 35 bar
STGW974	0 to 3,000 psi	0 to 210 bar
STGW97L	0 to 3,000 psi	0 to 210 bar
STGW98L	0 to 6,000 psi	0 to 415 bar
STGW99L	0 to 10,000 psi	0 to 690 bar

Specification and Model Selection Guide

Introduction

Building upon the tremendously successful ST 3000 series transmitter line; Honeywell brings simple, safe, and secure wireless technology to its measurement portfolio in the XYR 6000 Series Wireless Transmitters.

The XYR 6000 series measurements are part of the Honeywell OneWireless system and are ISA100.11a Compliant.

Measurement and information without wires! The XYR 6000 wireless transmitter series enable customers to obtain data and create information from remote and hazardous measurement locations without the need to run wires, where running wire is cost prohibitive and/or the measurement is in a hazardous location. Without wires, transmitters can be installed and operational in minutes, quickly providing information back to your system.

XYR 6000 wireless transmitters send information to an ISA100.11a compliant MESH infrastructure. Wireless Data Managers (WDM) provide the path to bring that information into Experion PKS or any other control system wirelessly via OPC client or Modbus-TCP.

Transmitter power is supplied by two "D" size lithium batteries with an expected lifetime of up to ten years or by an external 24 Vdc Power Supply. Transmitter range with the integral antenna is 1,000' (305 m) under ideal conditions.

Pressure transmitters continue to bring a proven technology to a wide spectrum of pressure measurement applications, from furnace combustion airflow rate to hydrostatic tank gauging.



Figure 1—XYR 6000 Gauge Pressure Transmitters

Implement the value of wireless technology today:

- Measure remote access points simply, safe and securely
- Obtain and utilize previously inaccessible information due to high wiring cost or hazardous locations.
- Easily meet Regulatory Requirements
- Improve process efficiency
- Enhance Flexibility to monitor applications:
 - that have no access to power
 - that are remote or difficult to reach
 - that may require frequent reconfiguration
 - where manual readings have been required previously.

Specifications

Operating Conditions – All Models

Parameter	Reference Condition (at zero static)		Rated Condition		Operative Limits		Transportation and Storage	
	°C	°F	°C	°F	°C	°F	°C	°F
Ambient Temperature**	25 ±1	77 ±2	-40 to 70	-40 to 158	-40 to 85	-40 to 185	-40 to 85	-40 to 185
Ambient Temperature LCD Display visible range	25 ±1	77 ±2	-40 to 85	-40 to 185				
Meter Body Temperature	25 ±1	77 ±2	-40 to 110 ¹	-40 to 230 ¹	-40 to 125 ²	-40 to 257 ²	-40 to 85	-40 to 185
Humidity %RH	10 to 55		0 to 100		0 to 100		0 to 100	
Vacuum Region - Minimum Pressure mmHg absolute inH ₂ O absolute	atmospheric atmospheric		25 13		2 (short term ³) 1 (short term ³)			
Maximum Allowable Working Pressure (MAWP) (XYR6000 products are rated to Maximum Allowable Working Pressure. MAWP depends on Approval Agency and transmitter materials of construction.)	STGW944 and STGW94L = 500 psi, 35 bar STGW974 and STGW97L = 3,000 psi, 210 bar STGW98L = 6,000 psi, 415 bar STGW99L = 10,000 psi, 690 bar							
Vibration	Maximum of 4g over 15 to 200Hz.							
Shock	Maximum of 40g.							
Power	Battery powered 3.6V Lithium thionyl chloride (LiSOCl ₂) batteries non rechargeable, size D 24 Vdc Wired Power (option) - For I.S. Application: 21 V to 25 Vdc Operated with MTL7728P+ barrier (252 Ohms Max. end to end resistance), Max input current 26mA. For Non I.S. application: 11 V to 30 Vdc Input range, Max input current 100mA.							

¹ For model STGW944 with CTFE fill fluid, the rating is -15 to 70°C (5 to 158°F); for model STGW94L, 97L, 98L and 99L with CTFE fill fluid, the rating is -15 to 110°C (5 to 230°F).

² For models STGW94L, STGW97L, STGW98L and STGW99L the upper limit is 110°C (230°F).

³ Short term equals 2 hours at 70°C (158 °F)

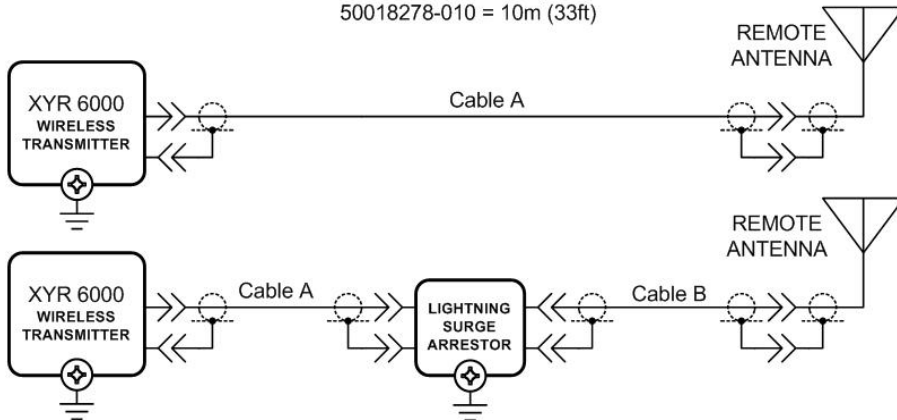
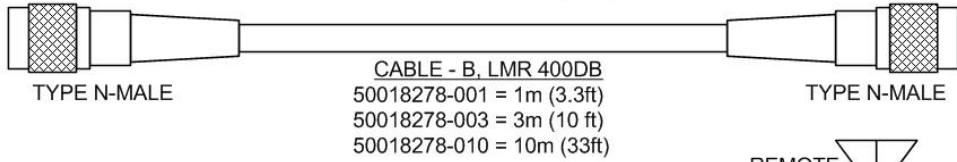
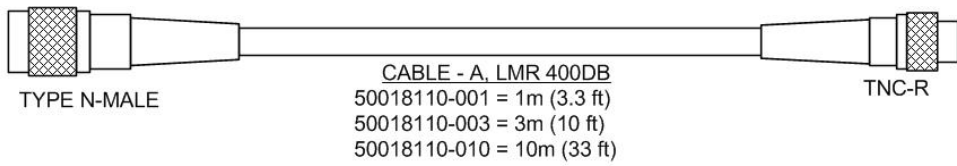
** The Ambient Limits shown are for Ordinary Non-Hazardous locations only. Refer to the appropriate Control Drawing, FM/CSA, ATEX, or IECEx for the Ambient Limits when installed in Hazardous Locations.

Wireless Specifications

Parameter	Description
Wireless Communication	<p>2,400 to 2,483.5 MHz (2.4 GHz) Industrial, Scientific and Medical (ISM) band</p> <p>FHSS Selection – Frequency Hopping Spread Spectrum</p> <p>DSSS Selection – Direct Sequential Spread Spectrum per FCC 15.247 / IEEE 802.15.4–2006. ISA100.11a Compliant (2.4 GHz Direct Sequence Spread Spectrum 802.15.4 DSSS-FH)</p> <p>Every data packet transmitted in either direction is verified (CRC check) and acknowledged by the receiving device.</p> <p>USA – FCC Certified</p> <p>Canada – IC Certified</p> <p>European Union – RTTE/ETSI Conformity</p> <p>Japan – Ministry of Internal Affairs and Communications Certified (DSSS Selection only)</p>
ISA100.11a RF Transmitter Power (Optional)	<p>NA Selection – 125 mW (20.9 dBm) maximum transmit power not including antenna per FCC/IC, or 400 mW (26.0 dBm) maximum EIRP including antenna for USA and Canadian locations.</p> <p>EU Selection – 10 mW (10.0 dBm) maximum EIRP including antenna per RTTE/ETSI for EU locations.</p>
FHSS RF Transmitter Power (Optional)	<p>NA Selection – 125 mW (20.9 dBm) maximum transmit power not including antenna per FCC/IC, or 400 mW (26.0 dBm) maximum EIRP including antenna for USA and Canadian locations.</p> <p>EU Selection – 100 mW (20.0 dBm) maximum EIRP including antenna per RTTE/ETSI for EU locations.</p>
DSSS RF Transmitter Power (Optional)	<p>NA Selection – 125 mW (20.9 dBm) maximum transmit power not including antenna per FCC/IC, or 400 mW (26.0 dBm) maximum EIRP including antenna for USA and Canadian locations.</p> <p>EU Selection – 10 mW (10.0 dBm) maximum EIRP including antenna per RTTE/ETSI for EU locations.</p> <p>JP Selection – 12.14 dBm/MHz [32mW (15.14 dbm)] maximum EIRP including antenna for Japanese locations.</p>
Data	<p>PV Publish Cycle Time: Configurable as 1, 5, 10 or 30 seconds</p> <p>Rate: 250 Kbps</p>
Antennas	<p>Integral – 2 dBi omnidirectional monopole</p> <p>Integral – 4 dBi omnidirectional monopole</p> <p>Remote – 8 dBi omnidirectional monopole with up to 20 m cable and lightning surge arrester.</p> <p>Remote – 14 dBi directional parabolic with up to 20 m cable and lightning surge arrester.</p>
Signal Range	<p>Nominal 305 m (1,000 feet) between Field Transmitter and Infrastructure Unit (Multinode) or Gateway Unit when using 2 dBi Integral antenna with a clear line of sight.*</p> <p>Two XYR 6000 transmitters both having TX Power set to 16 dBm with a clear line of site nominal signal range is 150 m (490ft.)</p>
Routing vs Non-Routing	<p>Unit can be set as a Field Routing or non-Field Routing device; the number of routing devices is set by the system manager.</p> <p>Using the device as a routing device will impact battery life, the more messages routed through a device, the greater the impact on battery life.</p>

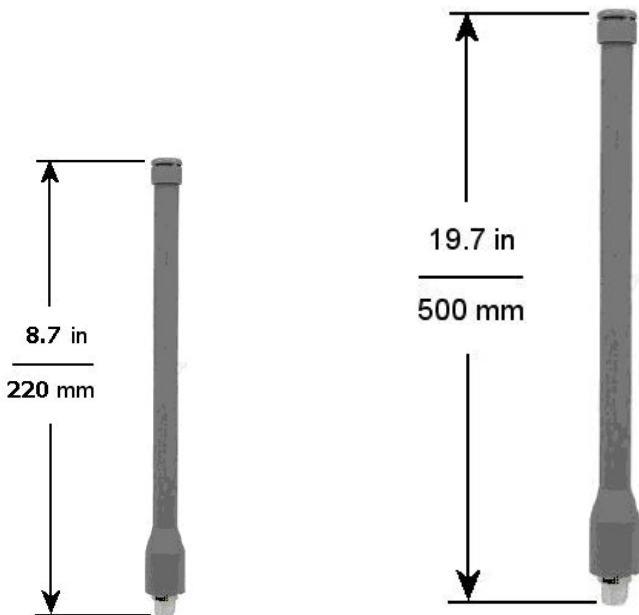
* Actual range will vary depending on antennas, cables and site topography.

Remote antenna cables



CABLE PARAMETERS			LIGHTNING SURGE ARRESTOR PARAMETERS
CABLE A, B LENGTH	CAPACITANCE	INDUCTANCE	
1 m	78.4 pF	0.2 μH	CAPACITANCE = 1 pF INDUCTANCE = 10 nH
3 m	235.2 pF	0.6 μH	
10 m	784 pF	2.0 μH	

Remote Antennas



4 dBi Omnidirectional Antenna

8 dBi Omnidirectional Antenna

14 dBi Directional Antenna

Performance Under Rated Conditions* - Models STGW944 & 94L (0 to 500 psi/35 bar)

Parameter	Description
Upper Range Limit psi bar	500 35
Minimum Span psi bar	20 1.4
Zero Elevation and Suppression	No limit except minimum span from absolute 0 (zero) to +100% URL. Specifications valid over this range.
Accuracy (Reference – Includes combined effects of linearity, hysteresis, and repeatability)	±0.0625% of calibrated span or upper range value (URV), whichever is greater, terminal based. For URV below reference point (20 psi), accuracy equals: $\pm \left[0.0125 + 0.05 \left(\frac{20 \text{ psi}}{\text{span/ psi}} \right) \right] \text{ or } \pm \left[0.0125 + 0.05 \left(\frac{1.4 \text{ bar}}{\text{span/ bar}} \right) \right] \text{ in \% of span}$
Zero Temperature Effect per 28°C (50°F)	±0.15% of span. For URV below reference point (50 psi), effect equals: $\pm 0.15 \left(\frac{50 \text{ psi}}{\text{span/ psi}} \right) \text{ or } \pm 0.15 \left(\frac{3.5 \text{ bar}}{\text{span/ bar}} \right) \text{ in \% of span}$
Combined Zero and Span Temperature Effect per 28°C (50°F)	±0.225% of span. For URV below reference point (50 psi), effect equals: $\pm \left[0.075 + 0.15 \left(\frac{50 \text{ psi}}{\text{span/ psi}} \right) \right] \text{ or } \pm \left[0.075 + 0.15 \left(\frac{3.5 \text{ bar}}{\text{span/ bar}} \right) \right] \text{ in \% of span}$
Stability	±0.015% of URL per year

* Performance specifications are based on reference conditions of 25°C (77°F), 10 to 55% RH, and 316L Stainless Steel barrier diaphragm.

Performance Under Rated Conditions* - Models STGW974 & 97L (0 to 3,000 psi/210 bar)

Parameter	Description
Upper Range Limit psi bar	3,000 210
Minimum Span psi bar	300 21
Zero Elevation and Suppression	No limit except minimum span from absolute 0 (zero) to +100% URL. Specifications valid over this range.
Accuracy (Reference – Includes combined effects of linearity, hysteresis, and repeatability)	±0.075% of calibrated span or upper range value (URV), whichever is greater, terminal based. For URV below reference point (750 psi), accuracy equals: $\pm \left[0.025 + 0.05 \left(\frac{750 \text{ psi}}{\text{span/ psi}} \right) \right] \text{ or } \pm \left[0.025 + 0.05 \left(\frac{52 \text{ bar}}{\text{span/ bar}} \right) \right] \text{ in \% of span}$
Zero Temperature Effect per 28°C (50°F)	±0.20% of span. For URV below reference point (500 psi), effect equals: $\pm 0.20 \left(\frac{500 \text{ psi}}{\text{span/ psi}} \right) \text{ or } \pm 0.20 \left(\frac{35 \text{ bar}}{\text{span/ bar}} \right) \text{ in \% of span}$
Combined Zero and Span Temperature Effect per 28°C (50°F)	±0.30% of span. For URV below reference point (500 psi), effect equals: $\pm \left[0.10 + 0.20 \left(\frac{500 \text{ psi}}{\text{span/ psi}} \right) \right] \text{ or } \pm \left[0.10 + 0.20 \left(\frac{35 \text{ bar}}{\text{span/ bar}} \right) \right] \text{ in \% of span}$
Stability	±0.03% of URL per year

* Performance specifications are based on reference conditions of 25°C (77°F), 10 to 55% RH, and 316L Stainless Steel barrier diaphragm.

Performance Under Rated Conditions* - Model STGW98L (0 to 6,000 psi/415 bar)

Parameter		Description
Upper Range Limit	psi bar	6,000 415
Minimum Span	psi bar	500 35
Zero Elevation and Suppression		No limit except minimum span from absolute 0 (zero) to +100% URL. Specifications valid over this range.
Accuracy (Reference – Includes combined effects of linearity, hysteresis, and repeatability) •		±0.075% of calibrated span or upper range value (URV), whichever is greater, terminal based. For URV below reference point (1,000 psi), accuracy equals: $\pm \left[0.025 + 0.05 \left(\frac{1000 \text{ psi}}{\text{span/ psi}} \right) \right] \text{ or } \pm \left[0.025 + 0.05 \left(\frac{70 \text{ bar}}{\text{span/ bar}} \right) \right] \text{ in \% of span}$
Zero Temperature Effect per 28°C (50°F)		±0.20% of span. For URV below reference point (1,000 psi), effect equals: $\pm 0.20 \left(\frac{1,000 \text{ psi}}{\text{span/ psi}} \right) \text{ or } \pm 0.20 \left(\frac{70 \text{ bar}}{\text{span/ bar}} \right) \text{ in \% of span}$
Combined Zero and Span Temperature Effect per 28°C (50°F)		±0.30% of span. For URV below reference point (1,000 psi), effect equals: $\pm \left[0.10 + 0.20 \left(\frac{1,000 \text{ psi}}{\text{span/ psi}} \right) \right] \text{ or } \pm \left[0.10 + 0.20 \left(\frac{70 \text{ bar}}{\text{span/ bar}} \right) \right] \text{ in \% of span}$
Stability		±0.03% of URL per year

* Performance specifications are based on reference conditions of 25°C (77°F), 10 to 55% RH, and 316L Stainless Steel barrier diaphragm.

Performance Under Rated Conditions* - Model STGW99L (0 to 10,000 psi/690 bar)

Parameter		Description
Upper Range Limit	psi bar	10,000 690
Minimum Span	psi bar	500 35
Zero Elevation and Suppression		No limit except minimum span from absolute 0 (zero) to +100% URL. Specifications valid over this range.
Accuracy (Reference – Includes combined effects of linearity, hysteresis, and repeatability) •		±0.075% of calibrated span or upper range value (URV), whichever is greater, terminal based. For URV below reference point (2,500 psi), accuracy equals: $\pm \left[0.025 + 0.05 \left(\frac{2,500 \text{ psi}}{\text{span/ psi}} \right) \right] \text{ or } \pm \left[0.025 + 0.05 \left(\frac{173 \text{ bar}}{\text{span/ bar}} \right) \right] \text{ in \% of span}$
Zero Temperature Effect per 28°C (50°F)		±0.20% of span. For URV below reference point (1,800 psi), effect equals: $\pm 0.20 \left(\frac{1,800 \text{ psi}}{\text{span/ psi}} \right) \text{ or } \pm 0.20 \left(\frac{124 \text{ bar}}{\text{span/ bar}} \right) \text{ in \% of span}$
Combined Zero and Span Temperature Effect per 28°C (50°F)		±0.30% of span. For URV below reference point (1,000 psi), effect equals: $\pm \left[0.10 + 0.20 \left(\frac{1,800 \text{ psi}}{\text{span/ psi}} \right) \right] \text{ or } \pm \left[0.10 + 0.20 \left(\frac{124 \text{ bar}}{\text{span/ bar}} \right) \right] \text{ in \% of span}$
Stability		±0.03% of URL per year

* Performance specifications are based on reference conditions of 25°C (77°F), 10 to 55% RH, and 316L Stainless Steel barrier diaphragm.

Physical and Approval Bodies

Parameter	Description
Barrier Diaphragm Material	Dual-Head Meter Body: 316L SS, Hastelloy C-276, Monel 400, Tantalum In-Line Meter Body: 316L SS, Hastelloy C-276
Process Head Material	Dual-Head Meter Body: Carbon Steel (zinc-plated), 316 SS, Hastelloy C-276, Monel. [Standard reference head is Carbon Steel (zinc-plated). Optional reference head is 316 SS.] In-Line Meter Body: 316L SS process interface.
Head Gaskets	Teflon is standard. Viton is available.
Meter Body Bolting	Carbon Steel (Zinc plated) standard. Options include 316 SS, NACE A286 SS bolts with 304 SS nuts, and B7M.
Mounting Bracket	Carbon Steel (Zinc-plated) or Stainless Steel angle bracket or Carbon Steel flat bracket available.
Fill Fluid	Silicone oil or CTFE (Chlorotrifluoroethylene)
Electronic Housing	Epoxy-Polyester hybrid paint. Low Copper-Aluminum. Meets NEMA 4X (hosedown and corrosion resistant), IP 66/67 (hosedown and submersible to 1m).
Stainless Steel Housing (option)	316 SS Electronics Housing - with M20 Conduit Connections 316 SS Housing with 1/2" NPT Conduit Connection 316 SS or Grade CF8M, the casting equivalent of 316 SS with M20 or 1/2" NPT Conduit Connection. If ordered with the Remote Antenna options, the antenna parts are not SS or Marine type cables; the integral antenna uses SS parts.
Process Connections	Dual-Head Meter Body: 1/4-inch F-NPT and DIN 19213 are standard. 1/2-inch F-NPT with optional adapter flange. In-Line Meter Body: 1/2-inch F-NPT, 1/2 inch M-NPT, 9/16 AMINCO, DIN 19213
Mounting	Can be mounted in virtually any position using the standard mounting bracket. Mounting should result in the antenna being vertically oriented. Bracket is designed to mount on 2-inch (50 mm) vertical or horizontal pipe. See Figure 3 for dual-head models, and Figure 4 for in-line models.
Dimensions	See Figures 5 and 6.
Net Weight	With Dual-Head Meter Body: 9 pounds (4.1 Kg) With In-Line Meter Body: 4.5pounds (2.0Kg)

NOTE: Pressure transmitters that are part of safety equipment for the protection of piping (systems) or vessel(s) from exceeding allowable pressure limits, (equipment with safety functions in accordance with Pressure Equipment Directive 97/23/EC article 1, 2.1.3), require separate examination.

Units can withstand overpressure of 1.5X MAWP without damage.

Performance under Rated Conditions – General for all Models

Parameter	Description
Lightning Surge Arrester (Remote antenna only)	Frequency range: 0 – 3 GHz, 50 Ohms, VSWR = 1:1.3 Max, Insertion Loss = 0.4 dB Connectors Type N Female, Max, Gas Tube Element: 90 V ± 20%, Impulse Breakdown Voltage = 1,000 V ± 20%, Maximum Withstand Current = 5 KA.
CE Conformity	These transmitters are in conformity with the protection requirements of European Council Directives: 89/336/EEC, the EMC Directive and 1999/5/EC, the Telecommunications Directive per EN 300 328, V1.6.1 (2004-11), EN 300 489-1, V1.6.1 (2005-09), EN 300 489-3, V1.4.1 (2002-08) and EN 61326-1997+A1+A2, Electrical Equipment for Measurement, Control and Laboratory Use – EMC Requirements.
Hazardous Location Certifications	See the Model Selection Guide.

Mounting

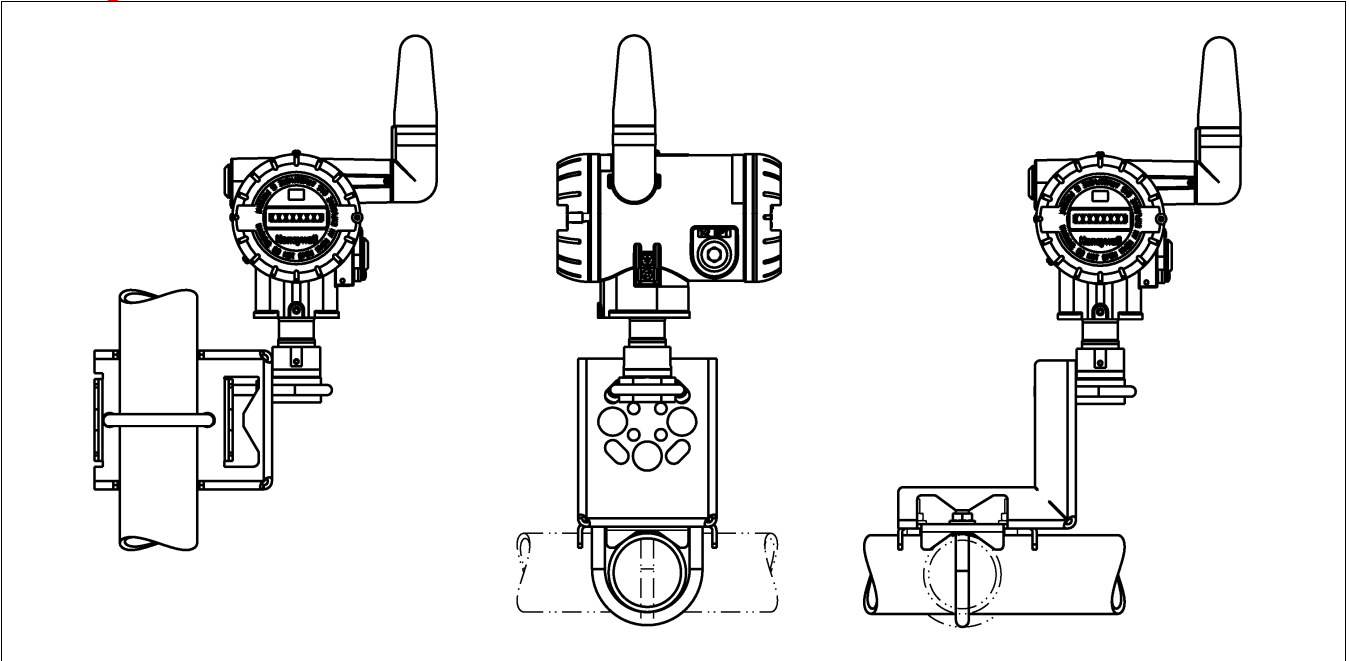


Figure 4—Examples of typical mounting positions for in-line models STGW94L, STGW97L, STGW98L, and STGW99L. Note that a mounting bracket is not required for in-line models.

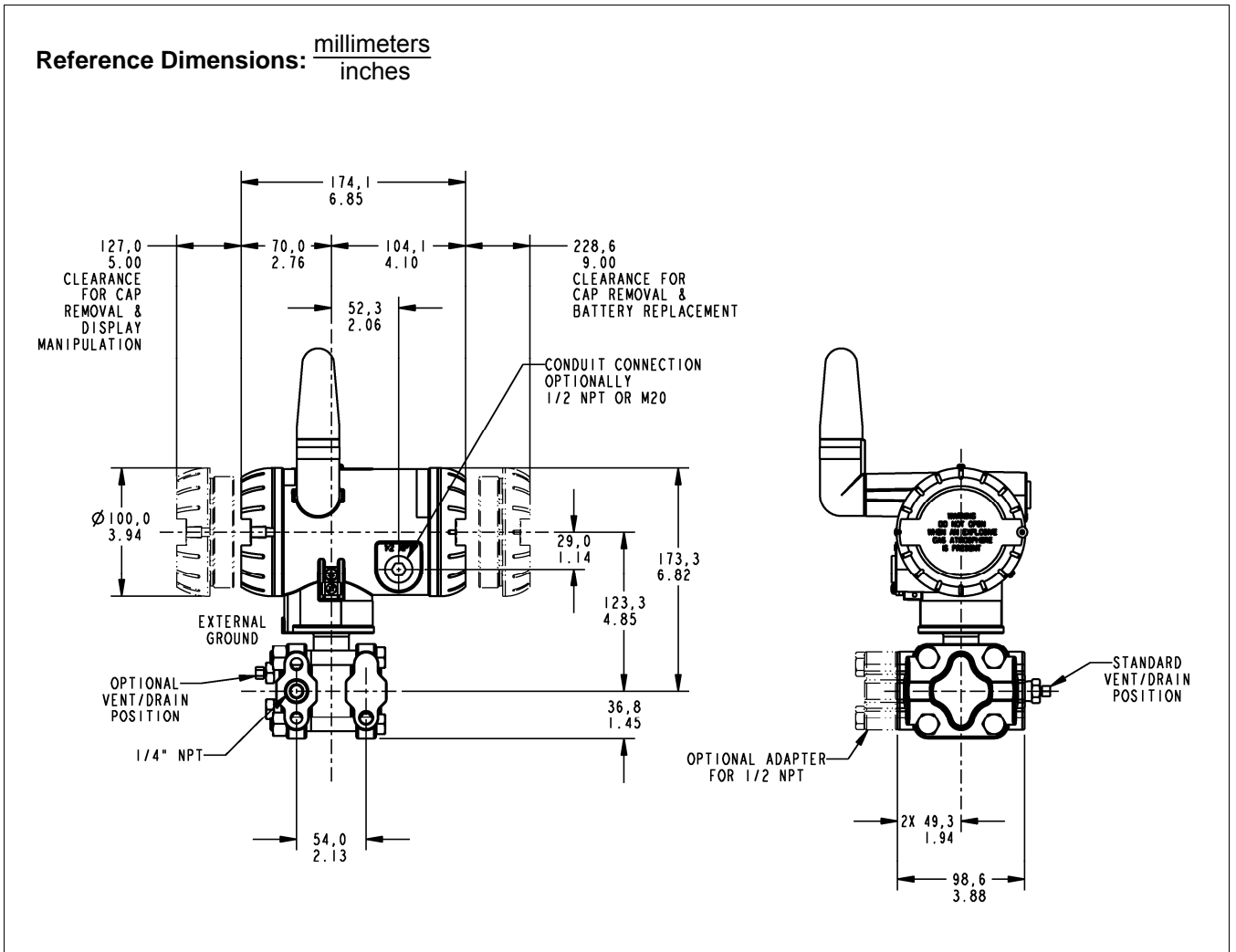


Figure 5—Typical mounting dimensions for dual-head models STGW944 and STGW974 for reference

Reference Dimensions: $\frac{\text{millimeters}}{\text{inches}}$

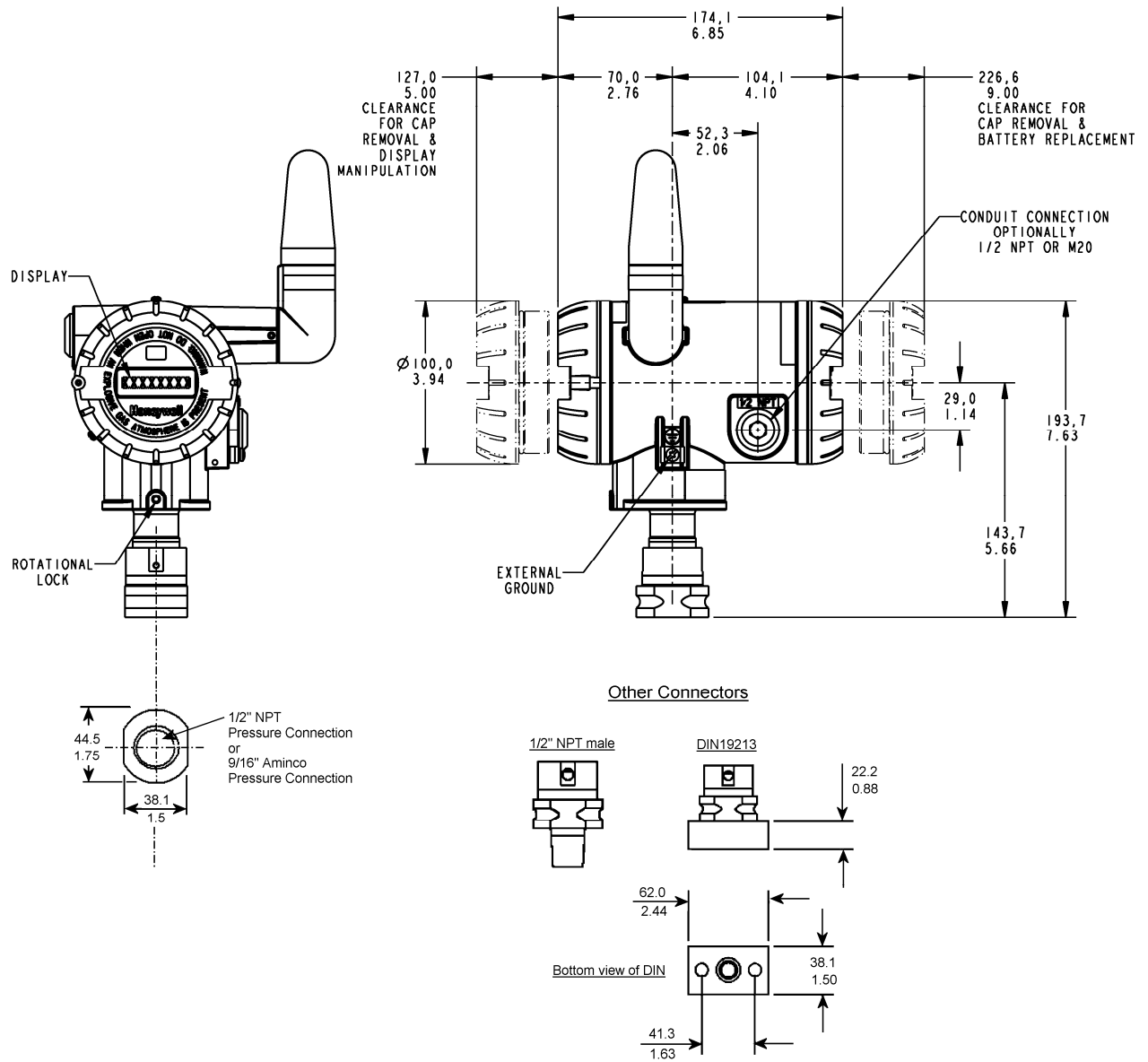


Figure 6—Typical mounting dimensions for in-line models STGW94L, STGW97L, STGW98L, and STGW99L for reference

Options

Mounting Bracket

The angle mounting bracket is available in either zinc-plated carbon steel or stainless steel and is suitable for horizontal or vertical mounting on a two inch (50 millimeter) pipe, as well as wall mounting. An optional flat mounting bracket is also available in carbon steel for two inch (50 millimeter) pipe mounting.

Transmitter Configuration

All configurable parameters are accessible via the OneWireless network via READ/WRITE transactions.

I

Tagging (Option TG)

Up to 30 characters can be added on the stainless steel nameplate mounted on the transmitter's electronics housing at no extra cost. A stainless steel wired on tag with additional data of up to 4 lines of 28 characters is also available. The number of characters for tagging includes spaces.

Ordering Information

Contact your nearest Honeywell sales office, or

In the U.S.:

Honeywell
Process Solutions
1860 West Rose Garden Lane
Phoenix, AZ 85053
1-800-423-9883

In Canada:

The Honeywell Centre
155 Gordon Baker Rd.
North York, Ontario M2H 3N7
1-800-461-0013

In Latin America:

Honeywell Inc.
480 Sawgrass Corporate Parkway,
Suite 200
Sunrise, FL 33325
(954) 845-2600

In Europe and Africa:

Honeywell S. A.
Avenue du Bourget 1
1140 Brussels, Belgium

In Eastern Europe:

Honeywell Praha,
s.r.o. Budejovicka 1
140 21 Prague 4,
Czech Republic

In the Middle East:

Honeywell Middle East Ltd.
Khalifa Street,
Sheikh Faisal Building
Abu Dhabi, U. A. E.

In Asia:

Honeywell Asia Pacific Inc.
Honeywell Building,
17 Changi Business Park Central 1
Singapore 486073
Republic of Singapore

In the Pacific:

Honeywell Pty Ltd.
5 Thomas Holt Drive
North Ryde NSW Australia 2113
(61 2) 9353 7000

In Japan:

Honeywell K.K.
14-6 Shibaura 1-chrome
Minato-ku, Tokyo, Japan 105-0023

Or, visit Honeywell on the World
Wide Web at:

www.honeywell.com/ps

Specifications are subject to change without notice.

Model Selection Guides are subject to change and are inserted into the specifications as guidance only. Prior to specifying or ordering a model check for the latest revision Model Selection Guides which are published at: <http://hpsweb.honeywell.com/Cultures/en-US/Products/Instrumentation/ProductModelSelectionGuides/default.htm>

Model Selection Guide (34-XY-16-34)



34-XY-16U-34
Issue 15
Page 1 of 4

**XYR 6000 Wireless Transmitter
Dual Head Gage Pressure (GP)
Series 900**

Model Selection Guide



Instructions

- Select the desired Key Number. The arrow to the right marks the selection available.
 - Make one selection from each table, I and II, using the column below the proper arrow.
 - Select as many Table III options as desired (if no options or approvals are desired, specify 9X).
 - A (*) denotes unrestricted availability. A letter denotes restricted availability.
- Restrictions follow Table V.

Key Number
STGW____ - I - II - III - IV - V

KEY NUMBER	Selection	Availability
Span		
Gage	0-20 to 0-500 psi/0-1.4 to 0-35 bar	STGW944 ↓
Pressure	0-300 to 0-3000 psi/0-21 to 0-210 bar	STGW974 ↓

TABLE I - METER BODY

	Wetted Process Head ***	Vent/Drain Valve **	Barrier Diaphragms	Selection	
Materials of Construction	Carbon Steel ¹	316 SS	316L SS	A __	•
	Carbon Steel ¹	316 SS	Hastelloy® C-276 ³	B __	•
	Carbon Steel ¹	316 SS	Monel 400® ⁴	C __	•
	Carbon Steel ¹	316 SS	Tantalum	D __	•
	316 SS ⁵	316 SS	316L SS	E __	•
	316 SS ⁵	316 SS	Hastelloy® C-276 ³	F __	•
	316 SS ⁵	316 SS	Monel 400® ⁴	G __	•
	316 SS ⁵	316 SS	Tantalum	H __	•
	Hast® C-276 ^{3,6}	Hast® C-276 ³	Hastelloy® C-276 ³	J __	•
	Hast® C-276 ^{3,6}	Hast® C-276 ³	Tantalum	K __	•
Monel 400® ^{4,7}	Monel® ¹⁰	Monel 400® ⁴	L __	•	
Fill Fluid	Silicone DC®200			_ 1 _	•
	CTFE			_ 2 _	•
Process Head Configuration	1/4" NPT			_ _ A	•
	1/2" NPT with Adapter			_ _ G	k

TABLE II

No Selection	00000	•
--------------	-------	---

¹ Carbon Steel heads are zinc-plated and not recommended for water service due to hydrogen migration. For that service, use 316 stainless steel Wetted Process Heads.

² Vent/Drains are sealed with Teflon®⁹ or PTFE

³ Hastelloy® C-276 or UNS N10276

⁴ Monel 400® or UNS N04400

⁵ Supplied as 316 SS or as Grade CF8M, the casting equivalent of 316 SS.

¹³ The standard reference head for the STG9XX is carbon steel (zinc-plated). See Table III for a stainless steel reference (HR) head option.

Note: End vent drain valve standard for STGW9XX.

⁶ Supplied as indicated or as Grade CW12MW, the casting equivalent of Hastelloy® C-276

⁷ Supplied as indicated or as Grade M30C, the casting equivalent of Monel 400®

⁹ Teflon® or PTFE

¹⁰ Monel 400® or UNS N04400 or UNS N04405

TABLE III - ANTENNA OPTIONS

		Selection	Availability
Antenna's	Integral Right-angle, vertical 2 dBi	V _ _ _ _	d
	Integral Straight, horizontal 2 dBi	S _ _ _ _	d
	Integral Right-angle, vertical 4dBi	R _ _ _ _	d
	Remote Omnidirectional, 8 dBi	M _ _ _ _	p
	Remote Directional, 14 dBi	D _ _ _ _	e
	Remote Antenna Adapter, Type N Connection	A _ _ _ _	d
Cable A for Remote Antenna	None	_ 0 0 _ _	•
	1.0m remote Cable A, Type TNC (Req'd to connect to XYR 6000)	_ 0 1 _ _	f
	3.0m remote Cable A, Type TNC (Req'd to connect to XYR 6000)	_ 0 3 _ _	f
	10.0m remote Cable A, Type TNC (Req'd to connect to XYR 6000)	_ 1 0 _ _	f
	1.0m remote Cable A, Type N (Req'd to connect to XYR 6000)	_ 2 1 _ _	n
	3.0m remote Cable A, Type N (Req'd to connect to XYR 6000)	_ 2 3 _ _	n
	10.0m remote Cable A, Type N (Req'd to connect to XYR 6000)	_ 2 9 _ _	n
Cable B for Remote Antenna w/Accessories*	None	_ _ _ 0 0	•
	Accessory + 1.0m Cable B to Antenna, N - N	_ _ _ 0 1	•
	Accessory + 3.0m Cable B to Antenna, N - N	_ _ _ 0 3	•
	Accessory + 10.0m Cable B to Antenna, N - N	_ _ _ 1 0	•

TABLE IV - OPTIONS

Radio Options		(Must Choose a Radio Option)		
2.4 GHz Frequency Hopping Spread Spectrum (FHSS)	XF	•	b	
2.4 GHz Direct Sequence Spread Spectrum (802.15.4 DSSS-FH)	XD	•		
ISA 100.11a Compliant (2.4 GHz Direct Sequence Spread Spectrum 802.15.4 DSSS-FH)	XS	•		
Power Option		(Must Choose Power Option)		
Battery Holder Only - No Battery Included	00	•	b	
Battery Power	BA	•		
24VDC	DC	•		
Transmitter Housing & Electronics Options				
Custom Calibration and I.D. in Memory	CC	•	b	
Transmitter Configuration and ID in Memory	TC	•		
M20 Conduit Thread (1/2" NPT is standard)	A1	f		
1/2" NPT to 3/4" NPT 316 SS Conduit Adapter	A2	g		
316 SS ^{5,9} Electronics Housing - with M20 Conduit Connections	SH	•		
316 SS ^{5,9} Housing with 1/2" NPT Conduit Connection	A3	•		
Stainless Steel Customer Wired-On Tag (4 lines, 28 characters per line, customer supplied information)	TG	•		
Stainless Steel Customer Wired-On Tag (blank)	TB	•		
End Cap Warning Label in Spanish	SP	•		
End Cap Warning Label in Portuguese	PG	•		
End Cap Warning Label in Italian	TL	•		
End Cap Warning Label in German	GE	•		
Meter Body Options				
A286 SS (NACE) Bolts and 304 SS (NACE) Nuts for Process Heads	CR	•		b
316 SS Bolts and 316 SS Nuts for Process Heads	SS	•		
B7M Bolts and Nuts for Process Heads	B7	•		
316 SS ² Adapter Flange - 1/2" NPT with CS Bolts	S2	c		
316 SS ² Adapter Flange - 1/2" NPT with 316 SS Bolts	S3	c		
316 SS ² Adapter Flange - 1/2" NPT with NACE A286 SS Bolts	S4	c		
316 SS ² Adapter Flange - 1/2" NPT with B7M Bolts	S5	c		
Hastelloy [®] C-276 ^{3,6} Adapter Flange - 1/2" NPT with CS Bolts	T2	c		
Hastelloy [®] C-276 ^{3,6} Adapter Flange - 1/2" NPT with 316 SS Bolts	T3	c		
Monel 400 ^{®4,7} Adapter Flange - 1/2" NPT with CS Bolts	V2	c		
Monel 400 ^{®4,7} Adapter Flange - 1/2" NPT with 316 SS Bolts	V3	c		
316 SS ² Blind Adapter Flange with CS Bolts	B3	•		
316 SS ² Blind Adapter Flange with 316 SS Bolts	B4	•		
316 SS ² Blind Adapter Flange with NACE A286 SS Bolts	B5	•		
316 SS ² Blind Adapter Flange with B7M Bolts	B6	•		
316 SS ² Center Vent Drain and Bushing	CV	•		
Side Vent/Drain (End Vent Drain is standard)	SV	•		
Viton ^{®8} Process Head Gaskets	VT	•		
Graphite Process Head Gasket	GF	•		
Viton ^{®8} Adapter Flange Gaskets	VF	m		
316 SS Reference Head (Carbon Steel Standard)	HR	•		

Table IV continued next page

³ Hastelloy[®] C-276 or UNS N10276

⁴ Monel 400[®] or UNS N04400

⁵ Supplied as 316 SS or as Grade CF8M, the casting equivalent of 316 SS.

⁶ Supplied as indicated or as Grade CW12MW, the casting equivalent of Hastelloy[®] C-276

⁷ Supplied as indicated or as Grade M30C, the casting equivalent of Monel 400[®]

⁸ Viton[®] or Fluorocarbon Elastomer

⁹ If ordered with Remote Antenna option, Table III Selection M _ _ _ _ or D _ _ _ _ , antenna parts are not SS or Marine type cables

TABLE IV - OPTIONS (Continued)

	Selection	Availability	
Transmitter Mounting Bracket Options			
Mounting Bracket - Carbon Steel	MB	•	b
Mounting Bracket - 304 SS	SB	•	
Flat Mounting Bracket - Carbon Steel	FB	•	
Diaphragm Options			
Gold plated diaphragm(s) on 316 SS	G1	•	b
Gold plated diaphragm(s) on Monel 400 ⁴ or Hastelloy ³ C-276 ³ ONLY	G2	•	
Services/Calibration/Conformance Options			
User's Manual Paper Copy	UM	•	b
Clean Transmitter for Oxygen or Chlorine Service with Certificate	0X	h	
Over-Pressure Leak Test with F3392 Certificate	TP	•	
Calibration Test Report and Certificate of Conformance (F3399)	F1	•	
Certificate of Conformance (F3391)	F3	•	
Certificate Options			
Certificate of Origin (F0195)	F5	•	i
NACE Certificate (F0198)	F7	•	
Warranty Options			
Additional Warranty - 1 year	W1	•	b
Additional Warranty - 2 years	W2	•	

³ Hastelloy[®] C-276 or UNS N10276

⁴ Monel 400[®] or UNS N04400

TABLE IV - OPTIONS (Continued)

Approval Body	Approval Type	Location or Classification		
No hazardous location approvals			9X	•
FM	Intrinsically Safe	Class I, II, III, Div. 1, Groups A,B,C,D,E,F,G; T4, Ta ≤ 85°C; Type 4X	1C	•
	Explosion-proof	Class I, AEx ia IIC; T4, Ta ≤ 85°C, Zone 0; IP66		
		Class I, Div. 1, Groups A,B,C,D; CI II, Div. 1, Groups E, F & G; CI III, Div. 1, T4, Ta ≤ 85°C; Type 4X		
	Nonincendive	Class I, AEx d IIC; T4, Ta ≤ 85°C, Zone 1; IP66		
Non-Sparking	Class I, Div. 2, Groups A,B,C,D; T4, Ta ≤ 85°C; Type 4X			
CSA cus	Nonincendive	Nonincendive, CL I, Div 2, Groups A,B,C & D, CL II & III, Div 2, Groups F & G, T4 Ta = 85°C	2N	•
	Non-Sparking	Class I, Ex/AEx nA IIC; T4, Ta ≤ 85°C, Zone 2; IP66		
	Intrinsically Safe	Class I, Div. 1, Gp A,B,C,D; Class II, Div 1, Gp E,F,G; Class III, Div 1; T4, Ta ≤ 85°C; Type 4X	2C	•
		Class I, Ex/AEx ia IIC; T4, Ta ≤ 85°C, Zone 0; IP66		
	Explosion-proof	Class I, Div. 1, Groups A,B,C,D; Class II, Div. 1, Groups E, F & G; Class III, Div. 1, T4, Ta ≤ 85°C; Type 4X		
		Class I, Ex/AEx d IIC; T4, Ta ≤ 85°C, Zone 1; IP66		
Nonincendive	Class I, Div. 2, Groups A,B,C,D; T4, Ta ≤ 85°C; Type 4X			
Non-Sparking	Class I, Ex/AEx nA IIC; T4, Ta ≤ 85°C, Zone 2; IP66			

Approval Body	Approval Type	Location or Classification		
ATEX	Intrinsically Safe	II 1 GD; Ex ia IIB; T4, Ta ≤ 70°C, Zone 0; IP66 Ex tD A20 IP66 T90°C	3U	•
	Flameproof	II 2 GD; Ex d [ia] IIB; T4, Ta ≤ 70°C, Zone 1; IP66 Ex tD A21 IP66 T90°C	3B	•
	Non-Sparking	II 3 GD; Ex nA [nL] IIC; T4, Ta ≤ 84°C, Zone 2 Ex tD A22 IP66 T90°C	3Y	•
	Intrinsically Safe	II 1 GD; Ex ia IIB; T4, Ta ≤ 70°C, Zone 0; IP66 Ex tD A20 IP66 T90°C	3C*	•
	Flameproof	II 2 GD; Ex d [ia] IIB; T4, Ta ≤ 70°C, Zone 1; IP66 Ex tD A21 IP66 T90°C		
	Non-Sparking	II 3 GD; Ex nA [nL] IIC; T4, Ta ≤ 84°C, Zone 2 Ex tD A22 IP66 T90°C		
IECEX Australia & New Zealand	Intrinsically Safe	Ex ia IIB; T4, Ta ≤ 70°C, Zone 0; IP66 Ex tD A20 IP66 T90°C	CU	•
	Flameproof	Ex d [ia] IIB; T4, Ta ≤ 70°C, Zone 1; IP66 Ex tD A21 IP66 T90°C	CB	•
	Non-Sparking	Ex nA [nL] IIC; T4, Ta ≤ 84°C, Zone 2; IP66 Ex tD A22 IP66 T90°C	CY	•
	Intrinsically Safe	Ex ia IIB; T4, Ta ≤ 70°C, Zone 0; IP66 Ex tD A20 IP66 T90°C	C1*	•
	Flameproof	Ex d [ia] IIB; T4, Ta ≤ 70°C, Zone 1; IP66 Ex tD A21 IP66 T90°C		
	Non-Sparking	Ex nA [nL] IIC; T4, Ta ≤ 84°C, Zone 2; IP66 Ex tD A22 IP66 T90°C		
SAEx South Africa	Intrinsically Safe	Ex ia IIB; T4, Ta ≤ 70°C, Zone 0; IP66 Ex tD A20 IP66 T90°C	ZU	•
	Flameproof	Ex d [ia] IIB; T4, Ta ≤ 70°C, Zone 1; IP66 Ex tD A21 IP66 T90°C	ZB	•
	Non-Sparking	Ex nA [nL] IIC; T4, Ta ≤ 84°C, Zone 2; IP66 Ex tD A22 IP66 T90°C	ZY	•
	Intrinsically Safe	Ex ia IIB; T4, Ta ≤ 70°C, Zone 0; IP66 Ex tD A20 IP66 T90°C	ZC*	•
	Flameproof	Ex d [ia] IIB; T4, Ta ≤ 70°C, Zone 1; IP66 Ex tD A21 IP66 T90°C		
	Non-Sparking	Ex nA [nL] IIC; T4, Ta ≤ 84°C, Zone 2; IP66 Ex tD A22 IP66 T90°C		
INMETRO Brazil	Intrinsically Safe	Ex ia IIC; T4, Ta ≤ 85°C, Zone 0; IP 66	6C*	
	Flameproof	Ex d IIC; T4, Ta ≤ 85°C, Zone 1; IP 66		
	Non-Sparking	Ex nA IIC; T4, Ta ≤ 85°C, Zone 2; IP 66		

* The user must determine the type of protection required for installation of the equipment. The user shall then check the box [✓] adjacent to the type of protection used on the equipment certification nameplate. Once a type of protection has been checked on the nameplate, subsequently the equipment shall not be reinstalled using any of the other certification types.

WARNING – Division 2 / Zone 2 apparatus may only be connected to processes classified as non-hazardous or Division 2 / Zone 2. Connection to hazardous (flammable or ignition capable) Division 1 / Zone 0, or 1 process is not permitted.

TABLE V

Country	(Must Choose a Country Code)	Country Code	Availability
North America, Canada		NA00	•
European Union		EU00	•
Japan		JP00	r

RESTRICTIONS

Restriction Letters	Available Only With		Not Available With	
	Table	Selection	Table	Selection
b	Select only one option from this group			
c	I	-- G		
d	III	_ 00 _ _		
	III	_ _ _ 00		
e			III	_ 00 _ _
f			IV	SH, A3
g			IV	BA, SH, A1
h	I	_ 2 _		
i	IV	CR, S4, B5		
k	IV	Select from Table IV S2, S3, S4, S5, T2, T3, V2, V3		
m	IV	VT		
n	IV	SH, A3		
p			V	JP00
r	IV	9X		

Notes: See ST-95 and User's Manual for part numbers.

To request a quotation for a non-published "special", fax RFQ to 602-313-6155 or email to ace@honeywell.com

Supplemental Accessories & Kits

Description	Part Number
1/2 NPT Socket Plug (ZN Plated CS)	50021832-001
1/2 NPT Certified Conduit Plug (SS)	50021832-002
M20 Certified Conduit Plug (SS)	50000547-001
M20 Conduit Plug (ZN Plated CS)	50000547-002
Surge Diverter*	50018279-090
Lithium Thionyl Chloride Batteries (Qty 2)	50026010-501
Lithium Thionyl Chloride Batteries (Qty 4)	50026010-502
Lithium Thionyl Chloride Batteries (Qty 10)	50026010-503

* Surge Diverter Accessory supplied with Table III, Selections XXX01, XXX03, XXX10

Model Selection Guides are subject to change and are inserted into the specifications as guidance only. Prior to specifying or ordering a model check for the latest revision Model Selection Guides which are published at: <http://hpsweb.honeywell.com/Cultures/en-US/Products/Instrumentation/ProductModelSelectionGuides/default.htm>

Model Selection Guide (34-XY-16-40)



Section 13
Issue 15
Page 1 of 4

**XYR 6000 Wireless Transmitter
In-Line Gage & Absolute Pressure
Series 900**

**Model Selection Guide
With Price Data**



Instructions

- Select the desired Key Number. The arrow to the right marks the selection available.
 - Make one selection from each table, I and II, using the column below the proper arrow.
 - Select as many Table III options as desired (if no options or approvals are desired, specify 9X).
 - A (*) denotes unrestricted availability. A letter denotes restricted availability.
- Restrictions follow Table V.

Key Number
STGW ___ - I - II - III - IV - V

KEY NUMBER	Selection	Availability
Span		
Gage Pressure	0-20 to 0-500 psig/0-1.4 to 0-35 bar	STGW94L ↓
	0-300 to 0-3000 psig/0-21 to 0-210 bar	STGW97L ↓
	0-500 to 0-6000 psig/0-35 to 0-415 bar	STGW98L ↓
	0-500 to 0-10000 psig/0-35 to 0-690 bar	STGW99L ↓
Abs Pressure	0-20 to 0-500 psia/0-1.4 to 0-35 barA	STAW94L ↓

TABLE I - METER BODY

	Wetted Process Heads	Vent/Drain Valves **	Barrier Diaphragms	Selection		
Material of Construction	316 SS	--	316L SS	E ___	•	•
	316 SS	--	Hastelloy C	F ___	•	•
Fill Fluid	Silicone			_ 1 _	•	•
	CTFE			_ 2 _	•	•
Process Connection Configuration	9/16" - 18 Aminco			___ A	•	•
	1/2" NPT (female)			___ G	•	•
	1/2" NPT (male)			___ H	•	•
	DIN 19213			___ D	•	•

TABLE II

No Selection	00000	•	•
--------------	-------	---	---

TABLE III - ANTENNA OPTIONS

Antennas	Integral Right-angle, vertical 2dBi	V _ _ _ _	d	d
	Integral Straight, horizontal 2dBi	S _ _ _ _	d	d
	Integral Right-angle, vertical 4dBi	R _ _ _ _	d	d
	Remote Omnidirectional, 8 dBi	M _ _ _ _	p	p
	Remote Directional, 14 dBi	D _ _ _ _	e	e
	Remote Antenna Adapter, Type N Connection	S _ _ _ _	d	d
Cable A for Remote Antenna	None	_ 0 _ _	•	•
	1.0m remote Cable A, Type TNC (Req'd to connect to XYR 6000)	_ 0 1 _ _	f	f
	3.0m remote Cable A, Type TNC (Req'd to connect to XYR 6000)	_ 0 3 _ _	f	f
	10.0m remote Cable A, Type TNC (Req'd to connect to XYR 6000)	_ 1 0 _ _	f	f
	1.0m remote Cable A, Type N (Req'd to connect to XYR 6000)	_ 2 1 _ _	j	j
	3.0m remote Cable A, Type N (Req'd to connect to XYR 6000)	_ 2 3 _ _	j	j
	10.0m remote Cable A, Type N (Req'd to connect to XYR 6000)	_ 2 9 _ _	j	j
Cable B for Remote Antenna w/Accessories*	None	___ 0 0	•	•
	Accessory + 1.0m Cable B to Antenna, N - N	___ 0 1	•	•
	Accessory + 3.0m Cable B to Antenna, N - N	___ 0 3	•	•
	Accessory + 10.0m Cable B to Antenna, N - N	___ 1 0	•	•

*See Supplemental Accessories

TABLE IV - OPTIONS	Selection	Availability			
		↓	↓		
Radio Options (Must choose a Radio Option)					
2.4 GHz Frequency Hopping Spread Spectrum (FHSS)	XF	•	•	b	
2.4 GHz Direct Sequence Spread Spectrum (802.15.4 DSSS)	XD	•	•		
ISA 100.11a Compliant (2.4 GHz Direct Sequence Spread Spectrum 802.15.4 DSSS-FH)	XS	•	•		
Power Option (Must choose Power Option)					
Battery Holder Only - No Battery Included	00	•	•	b	
Battery Power	BA	•	•		
24VDC	DC	•	•		
Transmitter Housing & Electronics Options					
Custom Calibration and I.D. in Memory	CC	•	•	b	
Transmitter Configuration and ID in Memory	TC	•	•		
M20 Conduit Thread (1/2" NPT is standard)	A1	f	f		
1/2" NPT to 3/4" NPT 316 SS Conduit Adapter	A2	g	g		
316 SS ^{1,2} Electronics Housing - with M20 Conduit Connections	SH	•	•		
316 SS ^{1,2} Housing with 1/2" NPT Conduit Connection	A3	•	•		
Stainless Steel Customer Wired-On Tag (4 lines, 28 characters per line, customer supplied information)	TG	•	•		
Stainless Steel Customer Wired-On Tag (blank)	TB	•	•		
End Cap Warning Label in Spanish	SP	•	•		
End Cap Warning Label in Portuguese	PG	•	•		
End Cap Warning Label in Italian	TL	•	•		
End Cap Warning Label in German	GE	•	•		
Transmitter Mounting Brackets Options					
Mounting Bracket - Carbon Steel	MB	•	•		b
Mounting Bracket - 304 SS	SB	•	•		
Flat Mounting Bracket - Carbon Steel	FB	•	•		
Services/Calibration/Conformance Options					
User's Manual Paper Copy	UM	•	•	b	
Clean Transmitter for Oxygen or Chlorine Service with Certificate	0X	h	h		
Over-Pressure Leak Test with F3392 Certificate	TP	•	•		
Calibration Test Report and Certificate of Conformance (F3399)	F1	•	•		
Certificate of Conformance (F3391)	F3	•	•		
Certificate Options					
Certificate of Origin (F0195)	F5	•	•	b	
NACE Certificate (F0198)	F7	•	•		
Warranty Options					
Additional Warranty - 1 year	W1	•	•	b	
Additional Warranty - 2 years	W2	•	•		

¹ Supplied as 316 SS or as Grade CF8M, the casting equivalent of 316 SS.

² If ordered with Remote Antenna option, Table III Selection M or D, antenna parts are not SS or Marine type cables

Approval Body	Approval Type	Location or Classification			
No hazardous location approvals			9X	•	•
FM	Intrinsically Safe	Class I, II, III, Div. 1, Groups A,B,C,D,E,F,G; T4, Ta ≤ 85°C; Type 4X Class I, AEx ia IIC; T4, Ta ≤ 85°C, Zone 0; IP66	1C	•	•
	Explosion-proof	Class I, Div. 1, Groups A,B,C,D; CI II, Div. 1, Groups E, F & G; CI III, Div. 1, T4, Ta ≤ 85°C; Type 4X Class I, AEx d IIC; T4, Ta ≤ 85°C, Zone 1; IP66			
	Nonincendive	Class I, Div. 2, Groups A,B,C,D; T4, Ta ≤ 85°C; Type 4X			
	Non-Sparking	Class I, AEx nA IIC; T4, Ta ≤ 85°C, Zone 2; IP66			
CSA cus	Nonincendive	Nonincendive, CL I, Div 2, Groups A,B,C & D, CL II & III, Div 2, Groups F & G, T4 Ta = 85°C	2N	•	•
	Non-Sparking	Class I, Ex/AEx nA IIC; T4, Ta ≤ 85°C, Zone 2; IP66			
	Intrinsically Safe	Class I, Div. 1, Gp A,B,C,D; Class II, Div 1, Gp E,F,G; Class III, Div 1; T4, Ta ≤ 85°C; Type 4X Class I, Ex/AEx ia IIC; T4, Ta ≤ 85°C, Zone 0; IP66	2C	•	•
	Explosion-proof	Class I, Div. 1, Groups A,B,C,D; Class II, Div. 1, Groups E, F & G; Class III, Div. 1, T4, Ta ≤ 85°C; Type 4X Class I, Ex/AEx d IIC; T4, Ta ≤ 85°C, Zone 1; IP66			
	Nonincendive	Class I, Div. 2, Groups A,B,C,D; T4, Ta ≤ 85°C; Type 4X			
	Non-Sparking	Class I, Ex/AEx nA IIC; T4, Ta ≤ 85°C, Zone 2; IP66			
ATEX	Intrinsically Safe	Ex II 1 GD; Ex ia IIB; T4, Ta ≤ 70°C, Zone 0; IP66 Ex tD A20 IP66 T90°C	3U	•	•
	Flameproof	Ex II 2 GD; Ex d [ia] IIB; T4, Ta ≤ 70°C, Zone 1; IP66 Ex tD A21 IP66 T90°C	3B	•	•
	Non-Sparking	Ex II 3 GD; Ex nA [nL] IIC; T4, Ta ≤ 84°C, Zone 2 Ex tD A22 IP66 T90°C	3Y	•	•
	Intrinsically Safe	Ex II 1 GD; Ex ia IIB; T4, Ta ≤ 70°C, Zone 0; IP66 Ex tD A20 IP66 T90°C	3C*	•	•
	Flameproof	Ex II 2 GD; Ex d [ia] IIB; T4, Ta ≤ 70°C, Zone 1; IP66 Ex tD A21 IP66 T90°C			
	Non-Sparking	Ex II 3 GD; Ex nA [nL] IIC; T4, Ta ≤ 84°C, Zone 2 Ex tD A22 IP66 T90°C			
IECEX Australia & New Zealand	Intrinsically Safe	Ex ia IIB; T4, Ta ≤ 70°C, Zone 0; IP66 Ex tD A20 IP66 T90°C	CU	•	•
	Flameproof	Ex d [ia] IIB; T4, Ta ≤ 70°C, Zone 1; IP66 Ex tD A21 IP66 T90°C	CB	•	•
	Non-Sparking	Ex nA IIC; T4, Ta ≤ 84°C, Zone 2; IP66 Ex tD A22 IP66 T90°C	CY	•	•
	Intrinsically Safe	Ex ia IIB; T4, Ta ≤ 70°C, Zone 0; IP66 Ex tD A20 IP66 T90°C	C1*	•	•
	Flameproof	Ex d [ia] IIB; T4, Ta ≤ 70°C, Zone 1; IP66 Ex tD A21 IP66 T90°C			
	Non-Sparking	Ex nA [nL] IIC; T4, Ta ≤ 84°C, Zone 2; IP66 Ex tD A22 IP66 T90°C			
SAEx South Africa	Intrinsically Safe	Ex ia IIB; T4, Ta ≤ 70°C, Zone 0; IP66 Ex tD A20 IP66 T90°C	ZU	•	
	Flameproof	Ex d [ia] IIB; T4, Ta ≤ 70°C, Zone 1; IP66 Ex tD A21 IP66 T90°C	ZB	•	
	Non-Sparking	Ex nA [nL] IIC; T4, Ta ≤ 84°C, Zone 2; IP66 Ex tD A22 IP66 T90°C	ZY	•	
	Intrinsically Safe	Ex ia IIB; T4, Ta ≤ 70°C, Zone 0; IP66 Ex tD A20 IP66 T90°C	ZC*	•	
	Flameproof	Ex d [ia] IIB; T4, Ta ≤ 70°C, Zone 1; IP66 Ex tD A21 IP66 T90°C			
	Non-Sparking	Ex nA [nL] IIC; T4, Ta ≤ 84°C, Zone 2; IP66 Ex tD A22 IP66 T90°C			
INMETRO Brazil	Intrinsically Safe	Ex ia IIC; T4, Ta ≤ 85°C, Zone 0; IP 66	6C*		
	Flameproof	Ex d IIC; T4, Ta ≤ 85°C, Zone 1; IP 66			
	Non-Sparking	Ex nA IIC; T4, Ta ≤ 85°C, Zone 2; IP 66			

* The user must determine the type of protection required for installation of the equipment. The user shall then check the box [✓] adjacent to the type of protection used on the equipment certification nameplate. Once a type of protection has been checked on the nameplate, subsequently the equipment shall not be reinstalled using any of the other certification types.

WARNING – Division 2 / Zone 2 apparatus may only be connected to processes classified as non-hazardous or Division 2 / Zone 2. Connection to hazardous (flammable or ignition capable) Division 1 / Zone 0, or 1 process is not permitted.

TABLE V

Country	(Must Choose a Country Code)	Country Code	Availability	
North America, Canada		NA00	•	•
European Union		EU00	•	•
Japan		JP00	m	m

RESTRICTIONS

Restriction	Available Only With		Not Available With	
	Letters	Table Selection	Table	Selection
a		Approvals Pending		
b		Select only one option from this group		
d	III	_ 00 _ , _ _ _ 00		
e			III	_ 00 _ _
f			IV	SH, A3
g			IV	BA, SH, A1
h	I	_ 2 _		
j	IV	SH, A3		
m	IV	9X		
p			V	JP00

See ST-95 and User's Manual for part numbers.

To request a quotation for a non-published "special", fax RFQ to 602-313-6155 or email to ace@honeywell.com

Supplemental Accessories & Kits

Description	Part Number	List Price
1/2 NPT Socket Plug (ZN Plated CS)	50021832-001	**
1/2 NPT Certified Conduit Plug (SS)	50021832-002	**
M20 Certified Conduit Plug (SS)	50000547-001	**
M20 Conduit Plug (ZN Plated CS)	50000547-002	**
Surge Diverter*	50018279-090	**
Lithium Thionyl Chloride Batteries (Qty 2)	50026010-501	**
Lithium Thionyl Chloride Batteries (Qty 4)	50026010-502	**
Lithium Thionyl Chloride Batteries (Qty 10)	50026010-503	**

* Surge Diverter Accessory supplied with Table III, Selections XXX01, XXX03, XXX10

** Consult Honeywell Order Entry Systems for current parts pricing.

OneWireless and XYR are trademarks and Experion is a registered trademark of Honeywell International Inc.

Honeywell

Honeywell Field Solutions
1860 West Rose Garden Lane
Phoenix, Arizona 85027
www.honeywell.com/ps/hfs

34-XY-03-24
November 2010
© 2009-10 Honeywell International Inc.