



293 Wright St., Delavan, WI 53115

Phone: 1-800-468-7867

1-800-546-7867

Fax: 1-800-390-5351

Web Site: <http://www.simerpump.com>

OWNER'S MANUAL

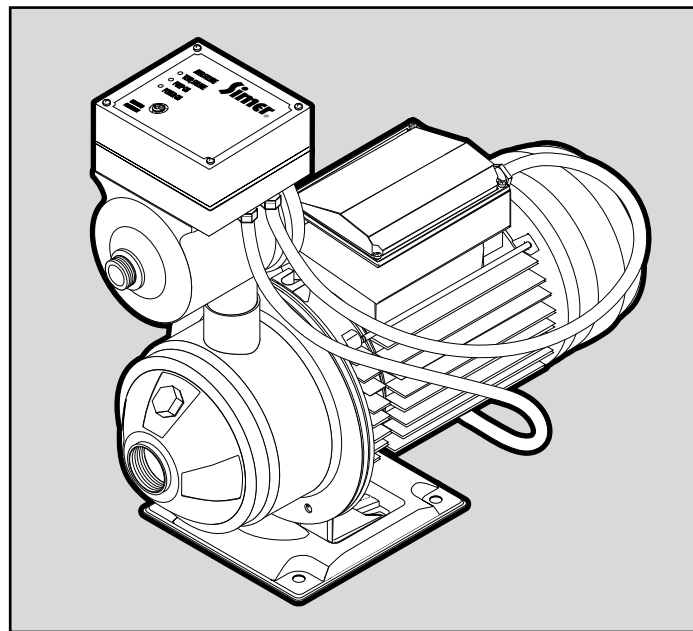
ace
in the
hole Automatic
Booster Pump

NOTICE D'UTILISATION

ace
in the
hole Pompe de surpression
à fonctionnement
automatique

MANUAL DEL USUARIO

ace
in the
hole Bomba automática
de refuerzo



Mod. 3075SS

Installation/Operation/Parts

*For further operating, installation,
or maintenance assistance:*

Call 1-800-468-7867

English Pages 2-8

Installation/Fonctionnement/Pièces

*Pour plus de renseignements
concernant l'utilisation,
l'installation ou l'entretien,*

Composer le 1 (800) 468-7867

Français Pages 10-16


Instalación/Operación/Piezas


*Para mayor información sobre el
funcionamiento, instalación o
mantenimiento de la bomba:*


Llame al 1-800-468-7867


Español Páginas 18-24

READ AND FOLLOW SAFETY INSTRUCTIONS!

 **This is the safety alert symbol.** When you see this symbol on your pump or in this manual, look for one of the following signal words and be alert to the potential for personal injury.

 **DANGER** warns about hazards that **will** cause serious personal injury, death or major property damage if ignored.

 **WARNING** warns about hazards that **can** cause serious personal injury, death or major property damage if ignored.

 **CAUTION** warns about hazards that **will** or **can** cause minor personal injury or property damage if ignored.

The label **NOTICE** indicates special instructions which are important but not related to hazards.


Carefully read and follow all safety instructions in this manual and on pump.

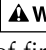

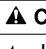
Keep safety labels in good condition.

Replace missing or damaged safety labels.


Make workshops childproof; use padlocks and master switches; remove starter keys.


GENERAL SAFETY


1. To avoid risk of serious bodily injury and property damage, read the safety instructions carefully before installing this pump.
2. Follow local and/or national plumbing, building and electrical codes when installing the pump. Use rigid pipe when installing this pump.
3.  **WARNING** **Hazardous Pressure. The pump body may explode if used to boost pressure above 100 psi (689 kPa).** Do not use this pump with inlet pressure greater than 50 psi (345 kPa). If not already in the plumbing system, install a pressure relief valve in the pump discharge line capable of passing the full pump flow at 100 psi (689 kPa). If local code requires installation of a pressure relief valve capable of handling the full pump flow at a pressure less than 100 psi (689 kPa), follow the code requirements.
4. A low pressure safety cutoff switch is recommended to shut off power to the pump in case of low discharge pressure due to interruption of the incoming water supply, broken pipe, etc.
5. **Never run the pump dry.** To do so can damage internal parts, overheat pump (which can cause burns to people handling or servicing pump), and will void warranty.


6.  **WARNING** **Risk of fire or explosion.** To avoid risk of fire and explosion, **Pump Water Only** with this pump. Do not pump flammable liquids or chemicals. Do not use the pump near gas pilot lights or where chemical or gas fumes are present. Use of an electric pump with liquids other than water or in an atmosphere containing chemical or gas fumes may ignite those liquids or gases and cause injury or death due to an explosion and/or fire.
7.  **WARNING** **Burn Hazard.** If water is trapped in the pump during operation it may turn to steam. Trapped steam can lead to an explosion and burns. Never run the pump with the outlet closed or obstructed.
8.  **CAUTION** **Do not touch an operating motor.** Modern motors can operate at high temperatures. To avoid burns when servicing the pump, allow it to cool for 20 minutes after shut-down before handling.


ELECTRICAL SAFETY

 **The pump is supplied with a 3-conductor grounding type cord. Connect only to a properly grounded, GFCI protected outlet. Do not lift the pump by the electrical cord.**

 **WARNING** **Hazardous voltage. Can shock, burn or cause death.** Ground the pump before connecting to a power supply. Disconnect the power before working on the pump, motor or tank.

 **The pump and controller are non-submersible. Keep the motor dry at all times. Do not wash the motor. Do not immerse. Protect the motor from wet weather.**

 **If using an extension cord, use only an approved indoor/outdoor, 3-wire, grounding type cord. Do not allow any part of the cord or the receptacle ends to sit in water or in damp locations.**

 **Unplug the pump before servicing.** To avoid fatal shock, proceed as follows if the pump needs servicing.

- A. **Disconnect the power to the pump outlet box before unplugging the pump.** After the plug is pulled, let the pump cool for 20 minutes before attempting to work on it.
- B. **Take extreme care when changing fuses.** To reduce the chance of fatal electrical shock, DO NOT stand in water or put your finger in the fuse socket.
- C. **Ground** the electrical outlet box.
- D. **Plug the pump and the controller into a Ground Fault Circuit Interrupter (GFCI) protected grounded outlet only.**

Thank you for purchasing a top quality, factory tested pump.

	Page
General Safety	2
Warranty	3
General Information.....	4
Installation	4, 5
Electrical Connection	6
Automatic Pressure Controller.....	6
Operation	6
When Does Pump Stop Operating?	6, 7
Service	7
Troubleshooting	7
Repair Parts	8

Simer Limited Warranty

SIMER warrants to the original consumer purchaser ("Purchaser") of its products that they are free from defects in material or workmanship.

If within twelve (12) months from the date of the original consumer purchase any such product shall prove to be defective, it shall be repaired or replaced at SIMER's option, subject to the terms and conditions set forth below. Your original receipt of purchase is required to determine warranty eligibility.

Exceptions to the Twelve (12) Month Warranty

Three (3) Year Warranty:

If within three (3) years from original consumer purchase any 3075SS shall prove to be defective, it shall be repaired or replaced at SIMER's option, subject to the terms and conditions set forth below.

General Terms and Conditions

Purchaser must pay all labor and shipping charges necessary to replace product covered by this warranty. This warranty shall not apply to acts of God, nor shall it apply to products which, in the sole judgement of SIMER, have been subject to negligence, abuse, accident, misapplication, tampering, alteration; nor due to improper installation, operation, maintenance or storage; nor to other than normal application, use or service, including but not limited to, operational failures caused by corrosion, rust or other foreign materials in the system, or operation at pressures in excess of recommended maximums.

Requests for service under this warranty shall be made by returning the defective product to the Retail outlet or to SIMER as soon as possible after the discovery of any alleged defect. SIMER will subsequently take corrective action as promptly as reasonably possible. No requests for service under this warranty will be accepted if received more than 30 days after the term of the warranty.

This warranty sets forth SIMER's sole obligation and purchaser's exclusive remedy for defective products.

SIMER SHALL NOT BE LIABLE FOR ANY CONSEQUENTIAL, INCIDENTAL, OR CONTINGENT DAMAGES WHATSOEVER.

THE FOREGOING WARRANTIES ARE EXCLUSIVE AND IN LIEU OF ALL OTHER EXPRESS WARRANTIES. IMPLIED WARRANTIES, INCLUDING BUT NOT LIMITED TO THE IMPLIED WARRANTIES OF MERCHANTABILITY AND FITNESS FOR A PARTICULAR PURPOSE, SHALL NOT EXTEND BEYOND THE DURATION OF THE APPLICABLE EXPRESS WARRANTIES PROVIDED HEREIN.

Some states do not allow the exclusion or limitation of incidental or consequential damages or limitations on how long an implied warranty lasts, so the above limitations or exclusions may not apply to you. This warranty gives you specific legal rights and you may also have other rights which vary from state to state.

SIMER • 293 Wright St. • Delavan, WI U.S.A. 53115
Phone: 1-800-468-7867 / 1-800-546-7867 • Fax: 1-800-390-5351

Use the 3075SS to boost city water pressure. Plumbing connections are described in this manual.

GENERAL INFORMATION

- Pump only clean water with your 3075SS. To avoid clogging the pump and damaging the shaft seal, do not pump water containing solids, foreign material, sand, silt, or abrasives.
- If you are boosting the pressure from a well pump, be sure that the system check valves are tight. If the system pressure drops when the well pump is not running, the 3075SS may start and cycle. Excessive or rapid cycling may damage the motor and will void the warranty.
- Do not use pipe joint compound on pump ports; use only teflon tape to seal the threads. Pipe joint compound will damage the controller materials.
NOTE: The priming plug has an O-ring already installed and does not require sealing.
- Tighten all the piping joints to the pump hand tight plus 1-1/2 turns (not more).
Overtightening may break the pump and will void the warranty.
- Pipe and fittings to the pump should be at least nominal 1" diameter. Pipe or fittings less than 1" in diameter will reduce performance and may damage the pump through cavitation.
- Make sure that there are no air leaks or air pockets in the suction pipe. An air leak in the suction pipe may draw air in, although no water leaks out. Air leaks and air pockets will prevent the pump from priming properly, and can substantially reduce its performance.
- The pump mount should be level, solid, as near as possible to the water source, and protected against excess moisture and flooding.
- Use the shortest possible run for piping and the smallest possible number of fittings. Long pipe runs and numerous fittings increase friction and reduce the flow of water.
- Support the weight of the piping and pump.
- Do not allow the pump, pressure controller, or any system components to freeze. Freezing will damage the pump and void the warranty.
- Periodically inspect the pump, pressure controller, and system components.

NOTE: Local code may require a pressure relief valve or pressure regulator.

▲ CAUTION Risk of leaks and flooding. Do not use this pump with inlet pressure greater than 50 psi (345 kPa).

▲ WARNING Pressure hazard and risk of explosion. This pump can develop high pressure when operated with the discharge shut off or obstructed. For safe operation, we recommend the following:

If not already in the plumbing system, install a pressure relief valve in the pump discharge line capable of pass-

ing the full pump flow at 100 psi (689 kPa) (See Figure 2). If local code requires installation of a pressure relief valve capable of handling the full pump flow at a pressure less than 100 psi (689 kPa), follow the code requirements. Run the relief valve discharge to a floor drain or other drain that will give adequate runoff.

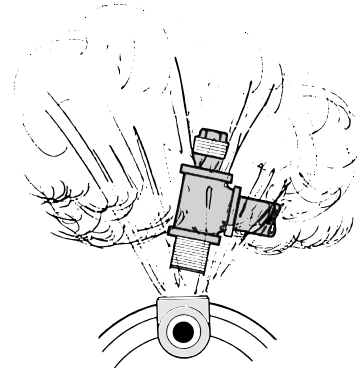


Figure 1 – Do Not Run the Pump With Inlet Shut Off

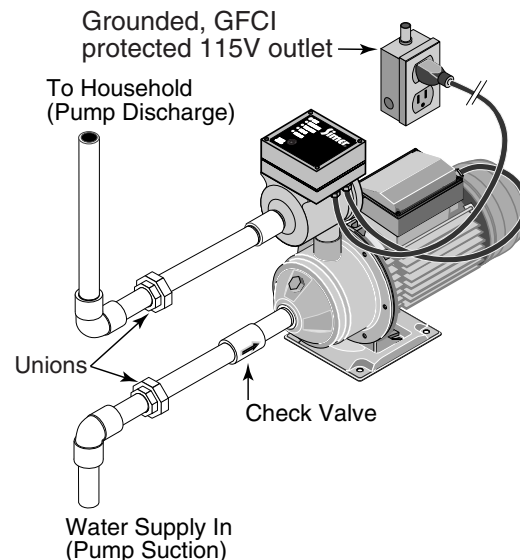


Figure 2: Typical household booster installation. Purchase plumbing fittings separately. Consult code for relief valve/pressure regulator requirements.

INSTALLATION

▲ CAUTION Risk of flooding. Be sure that all plumbing and fittings are rated to withstand the system pressure which you expect the pump to generate.

1. Decide what's the best place to install the pump. Think about these things:
 - it must be near the main water supply line
 - the pump must be accessible
 - the power cord must reach a power outlet
 - the controller's LED lights must be visible
 - ease of plumbing
 - space saving

NOTE: Installation of a low pressure safety cutoff switch on the pump discharge is recommended (and may be required by your local code) to shut off the power in case of low discharge pressure (caused by broken pipe, etc.).

2. Mount the pump on a solid base in the location you have decided on.
3. Choose a time that will allow you to shut off the water to the household while you install the 3075SS.
4. Shutoff the main water supply valve to the household.
5. Open any faucet to relieve water pressure in the plumbing. Once the water pressure is relieved, close the faucet.
6. **READ STEP 6 COMPLETELY BEFORE STARTING TO WORK ON IT.** You must remove a length of pipe from the main water supply line to allow installation of elbows for the 3075SS. The locations of the cuts must take into consideration the size of the elbows being used, the length of the threads in threaded joints or the overlap in glued or soldered joints, etc. Position the elbows in line with the pump suction and discharge threads. There may be slight water leakage while cutting the pipe. Remove any burrs or shavings caused by the cutting tool.

NOTE: Galvanized pipe may not need to be cut. If there is a union close to the pump location, disassemble the union and remove (unscrew) pipe back past the pump location. Have new lengths of pipe cut and threaded to allow for the pump installation.

NOTE: Both female suction and male discharge ports have 1" NPT threads. Depending on your type of connection and the size of your home's piping, you may need to install adapters on the ports.

7. Once the short piece of pipe is removed, the piping above the cut can be drained to prevent water mess. Place a pail under the opening going to the household. Open the highest faucet in the system to let in air so the water can fall out of the pipes into the pail. Once it's drained, close the faucet.
8. Install the elbows in the main water supply line. Point them toward the pump.

▲WARNING Risk of burst hose and flooding. Do not install with flexible hoses. Use only rigid piping that meets code.

9. Install piping from elbows to pump including a union in each line and a check valve in the pump suction line. The arrow on the check valve must point to the pump suction (see Figure 2). If not already in the plumbing system, install a pressure relief valve in the pump discharge line capable of passing the full pump flow at 100 psi (689 kPa). If local code requires installation of a pressure relief valve capable of handling the full pump flow at a pressure less than 100 psi (689 kPa), follow the code requirements. A low pressure safety cutoff switch should also be installed in the discharge line, and may be required by your local codes.

10. With all pipe and fittings installed and sealed, turn on the main water supply slowly to pressurize the system and check for leaks. If any leaks appear, turn the main valve off, open a faucet to relieve the pressure, and repair the leak. Repeat this step until there are no leaks in the system.
11. Open a faucet to release the air from the pipes and allow water to flow. When a steady stream of water flows out of the faucet, the pump is full of water and fully primed. Close the faucet.
12. Turn the controller knob to the desired pressure for the pump to turn on. The 3075SS comes factory preset at 30 psi (207 kPa), and we recommend starting there and adjusting it later according to your experience with the system.
13. Before continuing with the installation, see the sections of this manual titled "Electrical Connections", "Automatic Pressure Controller", "Normal Operation", and "When Does The Pump Stop Operating" for detailed information on how the system functions.
14. At this point, you can plug in the pump for the first time. When you plug in the power cord, the pump will start and run for 15 seconds regardless of the controller setting. If the inlet pressure is above the set point, the pump will stop after 15 seconds.
15. When the pump is running and after it shuts off automatically, the system is at the boosted pressures. Inspect the pipe and fittings again for water leaks. If any leaks appear, unplug the pump, turn the water main valve off, open a faucet to relieve the pressure and repair the leak. Repeat this step until there are no leaks in the system.

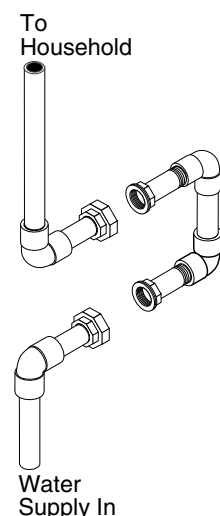


Figure 3: Typical bypass piping needed to allow removal of pump for repair without shutting down household water system.

ELECTRICAL CONNECTION

⚠ WARNING Hazardous voltage. Risk of dangerous or fatal electric shock. Plug the pump into a 115 Volt, 60 Cycle, Ground Fault Circuit Interrupter (GFCI) protected grounded outlet only. The pump is equipped with a 3-wire grounded cord and plug. Do not modify or remove the plug. Make sure the outlet meets the National Electric Code or the Canadian Electrical Code, as applicable. To avoid dangerous electrical shock hazard, keep the cord dry at all times. See Figure 2.

AUTOMATIC PRESSURE CONTROLLER

The Automatic Pressure Controller mounts on the pump. It protects against:

- Run-dry operation;
- Overheating;
- Frequent starts caused by small water losses in the system;
- Pressure drop.

The Automatic Pressure Controller features the following LEDs and controls:

“POWER ON” LED: indicates that the unit is electrically connected and that voltage is present. The pump is ready to operate.

“PUMP ON” LED: indicates that the pump is running and actually pumping water.

“WATER FAILURE” LED: indicates that no water is detected coming into the pump.

“TEMPERATURE FAILURE” LED: indicates that the temperature inside the pump has reached 158° F (70° C).

“Starting Pressure” dial: allows you to set the system pressure at 15 to 45 psi (103 to 310 kPa). The pump will start automatically when the system pressure drops below the pressure point which you have set on the “Starting Pressure” dial.

“Reset” button: resets any safeties which have tripped and allows the pump to restart.

NOTE: The unit will not respond if the ‘RESET’ button is held down. It must be pressed and released to activate the reset function.

NORMAL OPERATION OF THE 3075SS

⚠ CAUTION Burn Hazard. NEVER run the pump dry. Running the pump without water may cause pump to overheat and cause burns to persons handling the pump. It may also damage the impeller and may damage the seal, causing leaking or flooding, and will void the warranty. Fill the pump with water before starting it.

Make sure that the 3075SS has been properly installed, primed (see page 4), and that the suction pipe is unobstructed and open.

Turn the ‘STARTING PRESSURE’ dial to the minimum desired system pressure.

Plug in the pump. The ‘POWER ON’ and ‘PUMP ON’ lights will come on indicating, respectively, that voltage is present and that the pump is ready to operate.

The pump will start and will continue to operate until 15 seconds after the system pressure has risen past the set-point on the “STARTING PRESSURE” dial and flow has stopped.

WHEN DOES THE PUMP STOP OPERATING?

Pressure Set-Point/No Flow: The pump will stop operating and the ‘PUMP ON’ LED will go off 15 seconds after:

- The system pressure is above the point set by the STARTING PRESSURE dial, and
- The flow has stopped.

This is normal operation.

Restart: A water flow in the system greater than 1 GPM or a drop in pressure below the STARTING PRESSURE set-point will cause the pump to restart and the ‘PUMP ON’ LED to light up. The pump will continue to operate until 15 seconds after:

- It reaches the set pressure, and
- The flow stops.

NOTE: The 15-second delay in shutting off the pump prevents rapid cycling when water faucets are being turned on and off quickly (for example, when brushing teeth, etc.).

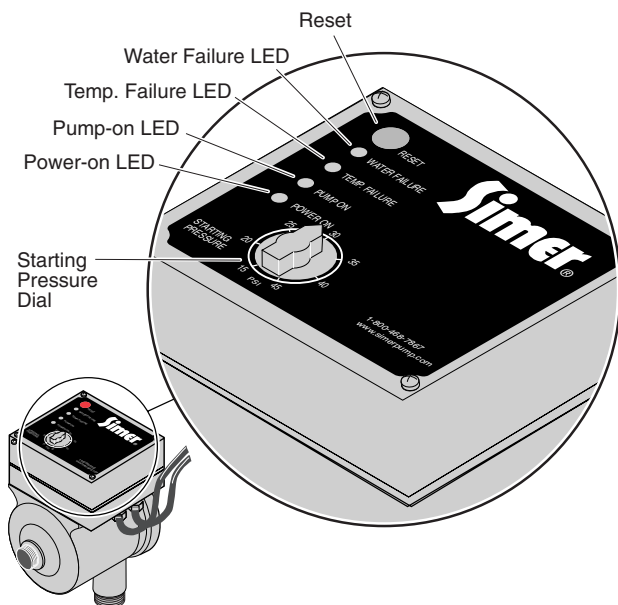


Figure 4 - Control Panel

Pressure Drop/No Flow: Normally, when the pump starts, it will very quickly generate pressure and sense flow. If there is no flow and the pressure does not rise, it senses a “no water” condition. It can also sense this during operation if the water supply to the pump fails. To protect the pump from running dry:

- 15 seconds after it detects “no water”, the pump will stop operating,
- The ‘PUMP ON’ LED will go out, and
- The ‘WATER FAILURE’ LED will begin flashing.

Restart: Make sure that the suction line is not obstructed, and that it is connected to a water source.

- Press and release the ‘RESET’ button.
- The ‘PUMP ON’ LED should light up, and
- The ‘WATER FAILURE’ LED should stop flashing.

If flow is adequate, the pump will operate until it reaches the set-point pressure and the flow stops.

High Temperature: When the water temperature inside the pump reaches 158°F (70°C),

- The pump will stop operating,
- The ‘PUMP ON’ LED will go out, and
- The ‘TEMPERATURE FAILURE’ LED will begin flashing.

Restart: Wait 20 minutes to let the water temperature drop below 104°F (40°C):

- Make sure that the pump is supplied with water and that the flow is unobstructed.

- Press and release the ‘RESET’ button.
- The ‘PUMP ON’ LED should light up, and
- The ‘TEMPERATURE FAILURE’ LED should stop flashing.
- If not, let it cool some more and retry

NOTE: If the pump continues to run hot, shut it off and call Simer Customer Service at 1-800-468-7867.

LUBRICATION

The motor is lubricated at the factory for the life of the bearings. The pump seal is water cooled and self lubricating.

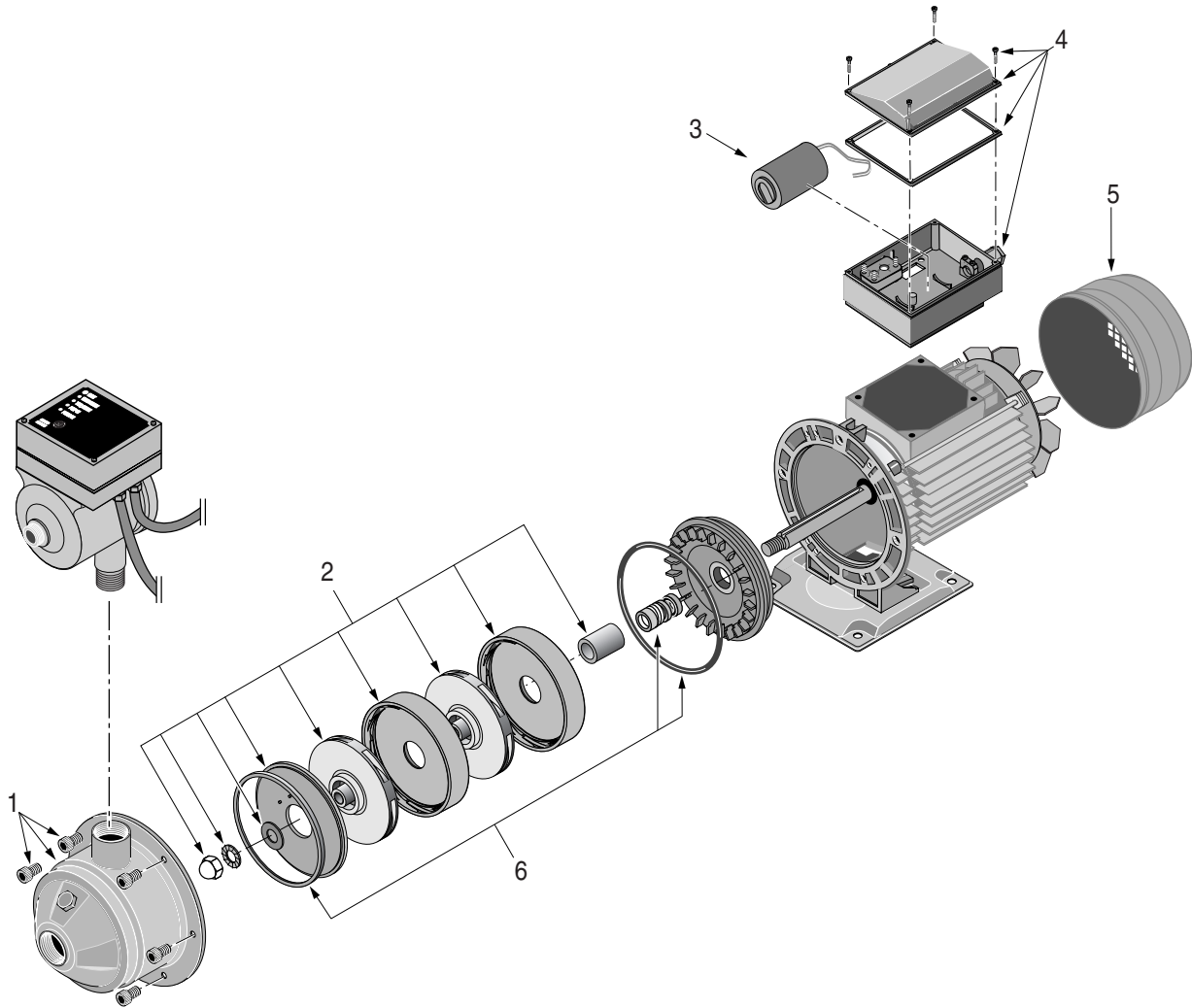
PUMP SERVICE

⚠ WARNING Hazardous voltage. Can shock, burn, or cause death. Unplug the pump and controller before servicing them. Do not handle the pump or controller or attempt to work on the pump with wet hands or while standing on a wet or damp floor.

The motor has an auto-reset thermal overload protector. If the motor overheats, the overload will cut off the power to prevent damage and will reset after the motor cools. If the overload trips repeatedly, check the pump for the cause (low voltage, a clogged impeller, etc.).

TROUBLESHOOTING

SYMPTOM	POSSIBLE CAUSE(S)	CORRECTIVE ACTION
Motor will not run	Fuse is blown or circuit breaker tripped Power cord not plugged in	DISCONNECT POWER; Replace fuse or reset circuit breaker. Plug into 115 Volt grounded outlet.
Motor runs hot and overload kicks off or motor does not run and only hums	Voltage is too low Impeller not moving freely	Check voltage being supplied to pump. Check that impeller moves freely and is not clogged.
Motor runs but no water is delivered* * (Note: <i>Unplug pump</i> ; then open faucets and see if water is flowing through system).	Improper priming Clogged water filter Discharge valve closed Pipe size too small Impeller is plugged Pipes are frozen	Re-prime according to instructions. Stop pump, shut off water, and change filter cartridge. Filter should be installed on discharge side of pump. Open valve. Re-pipe using pipe of the same size as suction and discharge ports on pump. Clean impeller. Thaw pipes.
*Pump does not deliver water to full capacity	Corroded pipes Piping is too small in size Pump not being supplied with enough water Low voltage	Replace with plastic or new steel pipe. Re-pipe using pipe the same size as suction and discharge ports on pump. Enlarge inlet pipe; check well pump system. Make sure outlet is at 115 Volts.



4220 0702

Ace-In-The-Hole Series Model 3075SS

Key No.	Part Description	No. Used	3075SS 1/2 HP
1	Pump Body Kit (includes Bolts)	1	FPP1801
2	Internal Parts Kit	1	FPP1870
3	Capacitor	1	171P5750
4	Wiring Box/Cover/Gasket Kit	1	FPP1802
5	Fan Guard	1	721S1090
6	Shaft Seal and O-Ring Kit	1	FPP1850

LIRE TOUTES CES CONSIGNES DE SÉCURITÉ ET LES RESPECTER!

⚠ Ce symbole indique qu'il faut être prudent. Lorsque ce symbole apparaît sur la pompe ou dans cette Notice, rechercher une des mises en garde qui suivent, car elles indiquent un potentiel possible de blessures corporelles.

⚠ DANGER avertit d'un danger qui causera des blessures corporelles, la mort ou des dommages matériels importants si on l'ignore.

⚠ AVERTISSEMENT avertit d'un danger qui risque de causer des blessures corporelles, la mort ou des dommages matériels importants si on l'ignore.

⚠ ATTENTION avertit d'un danger qui causera ou qui risquera de causer des blessures corporelles, la mort ou des dommages matériels importants si on l'ignore.

Le mot **NOTA** indique des instructions spéciales et importantes n'ayant aucun rapport avec les dangers.

Lire attentivement toutes les consignes de sécurité contenues dans cette Notice et collées sur la pompe.

Garder les autocollants de sécurité en bon état; les remplacer s'ils manquent ou s'ils ont été endommagés.

Rendre les ateliers à l'épreuve des enfants; poser des cadenas et des interrupteurs principaux; enlever la clé des démarreurs.

CONSIGNES DE SÉCURITÉ GÉNÉRALES

1. Pour éviter tout risque de blessures corporelles graves et de dommages matériels importants, lire attentivement ces consignes de sécurité avant de procéder à l'installation de la pompe.
2. Pour installer cette pompe, respecter les codes de la plomberie, du bâtiment et de l'électricité de la municipalité et du gouvernement fédéral. Pour installer cette pompe, n'utiliser que des tuyaux rigides.
3. **⚠ AVERTISSEMENT** **Pression dangereuse. Le corps de la pompe risque d'exploser si la pompe est utilisée pour augmenter la pression à plus de 689 kPa (100 lb/po²).** Sur la tuyauterie de refoulement, poser une soupape de sûreté qui permettra d'évacuer tout le débit de la pompe à une pression de 689 kPa (100 lb/po²). Si cet énoncé est contraire aux codes, respecter ce qui est stipulé par les codes. Ne pas utiliser cette pompe si la pression d'arrivée de l'eau est supérieure à 345 kPa (50 lb/po²).
4. Il est recommandé d'utiliser un disjoncteur de sécurité basse pression pour couper le courant alimentant la pompe au cas où la pression de refoulement chuterait suite à une interruption de l'arrivée de l'eau d'alimentation, à un tuyau brisé, etc.
5. **Ne jamais faire fonctionner la pompe à sec**, sinon ses pièces internes risquent d'être endommagées, la pompe risque de surchauffer (et les personnes qui manipuleront ou interviendront sur la pompe risqueront d'être brûlées). De plus, cette pratique annule la garantie.
6. **⚠ AVERTISSEMENT** **Risque d'incendie ou d'explosion.** Pour empêcher tout risque d'incendie ou d'explosion, **ne pomper que de l'eau avec cette pompe.** Ne pas pomper de liq-

uides inflammables ni de produits chimiques. Ne pas utiliser cette pompe près de veilleuses fonctionnant au gaz, ni en présence de vapeurs de produits chimiques, d'essence ou de tout autre produit inflammable. L'utilisation d'une électropompe pour pomper des liquides autres que de l'eau ou dans une atmosphère contenant des vapeurs de produits chimiques, d'essence ou de tout autre produit inflammable risque d'enflammer ces liquides ou ces vapeurs et de causer des blessures, voire la mort, suite à une explosion et/ou à un incendie.

7. **⚠ AVERTISSEMENT** **Risque de brûlures.** Si de l'eau reste emprisonnée dans la pompe pendant qu'elle fonctionne, cette eau risque de se transformer en vapeur. La vapeur emprisonnée dans la pompe risque de provoquer une explosion et des brûlures. Ne jamais faire fonctionner la pompe si son refoulement est fermé ou obstrué.
8. **⚠ ATTENTION** **Ne pas toucher un moteur pendant qu'il fonctionne.** Les moteurs modernes sont conçus pour fonctionner par des températures élevées. Pour ne pas se brûler pendant qu'on intervient sur la pompe, toujours la laisser refroidir pendant au moins 20 minutes après l'avoir arrêtée et avant de la manipuler.

CONSIGNES DE SÉCURITÉ CONCERNANT L'ÉLECTRICITÉ

⚠ Cette pompe est livrée avec un cordon électrique à 3 conducteurs, dont un de mise à la terre. Ne brancher ce cordon électrique que dans une prise de courant adéquatement mise à terre et protégée par un disjoncteur de fuite à la terre. Ne pas lever cette pompe par son cordon électrique.

⚠ AVERTISSEMENT **Tension dangereuse. Risque de secousses électriques, de brûlures, voire de mort.** Mettre cette pompe à la terre avant de la brancher sur le courant électrique. Couper le courant avant d'intervenir sur la pompe, le moteur ou le réservoir.

⚠ Cette pompe et son servorégulateur ne sont pas submersibles. Toujours garder le moteur sec. Ne pas le laver. Ne pas l'immerger. Le protéger contre la pluie.

⚠ Si on doit utiliser un cordon prolongateur, n'utiliser qu'un cordon prolongateur à 3 conducteurs dont un de mise à la terre et approuvé pour l'utilisation intérieure et extérieure. Ne permettre à aucune partie du cordon prolongateur ni à sa fiche et à sa prise de reposer dans l'eau ou dans un endroit humide.

⚠ Avant d'intervenir sur la pompe, la débrancher de la prise de courant. Pour éviter de subir des secousses électriques mortelles si on doit intervenir sur la pompe, procéder comme il est indiqué ci-dessous.

- A. **Couper le courant alimentant la prise de courant avant d'intervenir sur la pompe.** Après avoir débranché la fiche du cordon électrique de la prise de courant, attendre au moins 20 minutes avant d'intervenir sur la pompe afin de la laisser refroidir.
- B. **Il faut être extrêmement prudent lorsqu'on remplace un fusible.** Pour réduire les possibilités de secousses électriques mortelles, NE PAS se tenir dans l'eau et ne pas mettre de doigt dans la douille du fusible.
- C. **Mettre à la terre** la boîte de sortie de la prise de courant.
- D. **Ne brancher la pompe et son servorégulateur que dans une prise de courant adéquatement mise à la terre protégée par un interrupteur de fuite à la terre.**

Merci d'avoir acheté une pompe de qualité supérieure, mise à l'essai à l'usine.

	Pages
Consignes de sécurité générales.....	10
Garantie	11
Renseignements généraux.....	12
Installation	12, 13
Branchements électriques	14
Servorégulateur	14
Fonctionnement	14
Quand la pompe cesse-t-elle de fonctionner?.....	14, 15
Entretien.....	15
Dépannage	15
Pièces de rechange	16

Garantie limitée Simer

SIMER garantit à l'acheteur-utilisateur initial ("Acheteur") que ses produits sont exempts de tout défaut de fabrication et de matériaux.

Tout produit reconnu défectueux dans les douze (12) mois qui suivent la date d'achat d'origine sera remplacé ou réparé à la discrétion de SIMER, selon les conditions stipulées ci-dessous. La preuve datée de l'achat servira à déterminer si le produit est sous garantie.

Exceptions à la garantie de douze (12) mois

Garantie de trois (3) ans :

Si, dans les trois (3) ans à compter de la date d'achat par l'acheteur-utilisateur initial, n'importe quel modèle 3075SS s'avérait défectueux, il sera réparé ou remplacé, au choix de SIMER, conformément aux conditions générales stipulées ci-dessous.

Conditions générales

L'Acheteur s'engage à payer tous les frais de main-d'oeuvre et d'expédition nécessaires au remplacement du produit couvert par la garantie. Cette garantie ne couvre pas les cas de force majeure et ne s'applique pas aux produits qui, du seul avis de SIMER, ont fait l'objet de négligence, d'utilisation abusive ou incorrecte, d'accident, de modification ou d'altération; ni aux produits qui n'ont pas été installés, utilisés, entreposés ou entretenus correctement; ni à ceux qui n'ont pas été utilisés ou entretenus normalement, y compris, mais sans s'y limiter, aux produits ayant subi des pannes de fonctionnement causées par la corrosion, la rouille ou tout autre corps étranger qui se serait introduit dans le système ou aux produits ayant

fonctionné à des pressions dépassant la pression maximum recommandée.

Les demandes de service en vertu de la présente garantie seront faites en retournant le produit défectueux au détaillant ou à SIMER dès la découverte du défaut allégué. SIMER prendra alors les mesures correctives aussi rapidement qu'il est raisonnablement possible. Aucune demande de service en vertu de la présente garantie ne sera acceptée si elle est reçue plus de 30 jours après l'expiration de ladite garantie.

La présente garantie énonce la totalité des obligations de SIMER et le seul recours possible de l'Acheteur dans le cas de produits défectueux.

SIMER NE PEUT ÊTRE TENUE RESPONSABLE D'AUCUN DOMMAGE INDIRECT, ACCIDENTEL OU FORTUIT QUEL QU'IL SOIT.

LES PRÉSENTES GARANTIES SONT EXCLUSIVES ET TIENNENT LIEU DE TOUTE AUTRE GARANTIE EXPRESSE. LES GARANTIES IMPLICITES, Y COMPRIS, MAIS SANS S'Y LIMITER, LES GARANTIES IMPLICITES AYANT TRAIT À LA COMMERCIALISABILITÉ ET À L'ADAPTATION À UN USAGE PARTICULIER, NE DÉPASSERONT PAS LA DURÉE DES GARANTIES EXPRESSE APPLICABLES STIPULÉES DANS LES PRÉSENTES.

Certaines provinces n'autorisent pas d'exclure ou de limiter des dommages fortuits ou indirects ou de limiter la durée d'une garantie implicite; il se peut donc que les limitations ou exclusions ci-dessus ne s'appliquent pas à votre cas. La présente garantie vous donne des droits juridiques spécifiques et vous pouvez en avoir d'autres qui varient d'une province à l'autre.

**SIMER • 293 Wright St. • Delavan, WI 53115
Tél. 1 800 468-7867/1 800 546-7867 • Téléc. 1 800 390-5351**

Utiliser cette pompe PressureMate® pour augmenter la pression de l'eau fournie par la municipalité. Les branchements de la tuyauterie sont décrits dans cette Notice.

RENSEIGNEMENTS GÉNÉRAUX

- Ne pomper que de l'eau propre avec cette pompe PressureMate®. Pour ne pas boucher la pompe et pour ne pas endommager le joint de son arbre, ne pas pomper d'eau contenant des matières solides, des corps étrangers, du sable, du limon ou des substances abrasives.
- Si on doit augmenter la pression de l'eau pompée d'un puits, s'assurer que les clapets de non-retour du système sont bien serrés. Si la pression du système chute pendant que la pompe du puits ne fonctionne pas, la pompe PressureMate® peut démarrer et s'arrêter continuellement. Des démarrages et des arrêts rapides ou excessifs de la pompe PressureMate risquent d'endommager son moteur, ce qui annulera la garantie.
- Ne pas utiliser de pâte pour raccords filetés sur les orifices filetés de la pompe. N'utiliser que du ruban d'étanchéité au téflon pour rendre étanches ces filets. Les pâtes d'étanchéité pour raccords filetés endommageront les matériaux du servorégulateur.

NOTA : Le bouchon d'amorçage est déjà doté d'un joint torique; il n'est donc pas nécessaire de le rendre étanche.

- Serrer à la main tous les raccords et tous les tuyaux branchés sur la pompe, puis les serrer de 1 1/2 tour de plus au maximum.
- Un serrage excessif de ces raccords et de ces tuyaux risque de briser la pompe, ce qui annulera la garantie.
- Le diamètre nominal minimum des tuyaux et des raccords branchés sur la pompe doit être d'au moins 1 pouce. Des tuyaux et des raccords ayant un diamètre inférieur à 1 pouce diminueront le débit, ce qui risque d'endommager la pompe suite à une cavitation.
- S'assurer qu'il n'y a pas de prises d'air ni de poches d'air dans le tuyau d'aspiration. Toute prise d'air dans le tuyau d'aspiration aspirera de l'air, sans toutefois que l'eau coule par cette prise d'air. Toute prise d'air et toute poche d'air empêcheront la pompe de s'amorcer adéquatement, ce qui risquera de diminuer considérablement son débit.
- Le socle sur lequel la pompe sera posée doit être de niveau, bien solide et aussi près que possible de la source d'eau. Il doit également être protégé contre toute humidité et inondation excessives.
- Utiliser la plus courte longueur de tuyau possible et le moins possible de raccords. De grandes longueurs de tuyau et de nombreux raccords augmentent le frottement, ce qui diminue le débit de la pompe.
- Supporter le poids de la tuyauterie et de la pompe.
- Ne pas permettre à la pompe, à son servorégulateur ni aux composants de système de geler. Le gel endommagera la pompe et la garantie sera annulée.
- Périodiquement, inspecter la pompe, le servorégulateur et les composants du système.

NOTA : Les codes de la municipalité exigent peut-être l'utilisation d'une soupape de sûreté ou d'un régulateur de pression.

⚠ ATTENTION **Risque de fuite et d'inondation.** Ne pas utiliser cette pompe si la pression d'arrivée de l'eau est supérieure à 345 kPa (50 lb/po²).

⚠ AVERTISSEMENT **Pression dangereuse et risque d'explosion.** Cette pompe peut développer des pressions extrêmement élevées pendant qu'elle fonctionne si son refoulement est fermé ou obstrué. Pour utiliser cette pompe en toute sécurité, nous recommandons de respecter ce qui suit :

Sur la tuyauterie de refoulement, poser une soupape de sûreté qui permettra d'évacuer tout le débit de la pompe à une pres-

sion de 689 kPa (100 lb/po²). Amener le tuyau de refoulement branché sur la soupape de sûreté jusqu'à un renvoi à l'égoût de plancher ou jusqu'à tout autre renvoi à l'égoût qui assurera une évacuation adéquate.

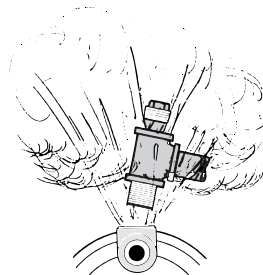


Figure 1 – Ne pas faire fonctionner la pompe si l'arrivée est fermée

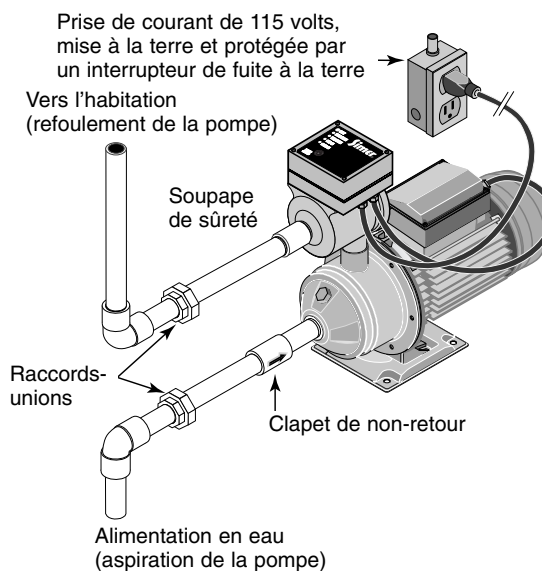


Figure 2 : Installation type d'une pompe de surpression dans une habitation. Les raccords des tuyaux doivent être achetés séparément. Consulter les codes pour savoir quelle soupape de sûreté quel régulateur de pression doivent être utilisés.

INSTALLATION

⚠ ATTENTION **Risque d'inondation.** S'assurer que tous les tuyaux et que tous les raccords utilisés sont certifiés pour supporter les pressions que la pompe du système peut produire.

1. Décider du meilleur emplacement pour installer la pompe. Dans cette optique, il faudra considérer ce qui suit :
 - La pompe doit être posée le plus près possible de la conduite principale d'arrivée d'eau
 - On doit pouvoir accéder facilement à la pompe
 - Une prise de courant doit être assez proche pour que le cordon puisse y être branché
 - Les témoins électroluminescents du servorégulateur doivent être visibles.
 - On doit pouvoir facilement brancher la tuyauterie sur la pompe
 - La pompe doit prendre le moins de place possible

NOTA : Il est recommandé (et cette recommandation peut être exigée par les codes de la municipalité) de poser un disjoncteur de sécurité au cas où la pression côté refoulement de la pompe chuterait suite à un tuyau cassé, etc., afin que le courant alimentant la pompe soit coupé.

2. Monter la pompe sur un socle solide, à l'endroit que l'on a choisi.
3. Choisir un moment dans la journée qui permettra de couper l'arrivée d'eau alimentant l'habitation pendant que l'on procédera à l'installation de la pompe PressureMate®.
4. Fermer le robinet de la conduite d'arrivée d'eau principale de l'habitation.
5. Ouvrir n'importe quel robinet de façon à dissiper la pression d'eau dans les tuyaux. Dès que la pression de l'eau dans les tuyaux sera dissipée, fermer le robinet.
6. **AVANT DE POURSUIVRE, LIRE ATTENTIVEMENT TOUTE L'OPÉRATION 6.** Pour permettre le branchement de la pompe PressureMate® à l'aide de coudes, il faudra couper une certaine longueur de la conduite d'arrivée d'eau principale. Pour choisir l'emplacement des coupes à effectuer, il faudra prendre en considération la dimension des coudes qu'on utilisera, la longueur du filetage des raccords ou l'emboîtement des raccords lisses à coller ou à souder, etc. Positionner les coudes en ligne avec les orifices d'aspiration et de refoulement de la pompe. Un peu d'eau coulera peut-être pendant que l'on coupera le tuyau. Enlever toutes les bavures ou tous les copeaux laissés par l'outil de coupe.

NOTA : Il ne sera peut-être pas nécessaire de couper les tuyaux galvanisés. Si un raccord union se trouve à proximité de l'emplacement où la pompe sera installée, le démonter, puis enlever (en le dévissant) le tuyau jusqu'au-delà de l'emplacement où la pompe sera posée. Couper de nouvelles longueurs de tuyau et les fileter de façon à permettre l'installation de la pompe.

NOTA : Les orifices d'aspiration femelle et de refoulement mâle de la pompe ont 1 pouce NPT de diamètre et ils sont filetés. En fonction du type des raccordements et du diamètre des tuyaux de l'habitation, il faudra peut-être poser des adaptateurs dans ces orifices.

7. Après avoir déposé la petite longueur de tuyau, on pourra vider la tuyauterie au-dessus de la coupe de façon à ne pas causer de dégâts d'eau. Mettre un seau sous le tuyau coupé alimentant l'habitation. Ouvrir le robinet et se trouvant le plus haut et laisser l'air s'introduire dans les tuyaux pour que l'eau coule dans le seau. Lorsque les tuyaux seront vides, fermer le robinet.
8. Installer les coudes sur la conduite d'arrivée d'eau principale, en les orientant vers la pompe.

▲ AVERTISSEMENT

Des tuyaux souples risquent d'éclater et de causer une inondation. Il ne faut donc pas utiliser de tuyaux souples pour procéder à cette installation. N'utiliser que des tuyaux rigides conformes aux codes.

9. Brancher les tuyaux sur les coudes, jusqu'à la pompe, en utilisant un raccord-union sur chaque conduite et un clapet de non-retour sur la conduite d'aspiration de la pompe. La flèche frappée sur le clapet de non-retour doit être orientée vers l'aspiration de la pompe (se reporter à la Figure 2.) Sur la conduite de refoulement, poser une soupape de sûreté qui permettra d'évacuer tout le débit de la pompe à une pression de 689 kPa (100 lb/po²). Si cette stipulation est contraire aux codes, respecter les codes. Un disjoncteur de sécurité doit également être installé sur la conduite de refoulement au cas où la pression de refoulement de la pompe chuterait. Les codes de la municipalité peuvent aussi exiger l'utilisation d'un tel disjoncteur de sécurité.
10. Une fois les tuyaux et les raccords installés et rendus

étanches, ouvrir le robinet de la conduite d'arrivée d'eau principale de façon à mettre sous pression le système et pouvoir vérifier son étanchéité. Si on remarque des fuites, fermer le robinet de la conduite d'arrivée d'eau principale, ouvrir un robinet de l'habitation pour dissiper la pression dans les tuyaux, puis réparer la fuite. Répéter cette opération jusqu'à ce que le système soit complètement étanche (qu'il ne fuit plus).

11. Ouvrir un robinet pour chasser l'air des tuyaux et permettre à l'eau de couler. Dès que l'eau coulera normalement du robinet, la pompe sera pleine d'eau et complètement amorcée. Fermer le robinet.
12. Tourner la manette rotative du servorégulateur sur la pression à laquelle on désire que la pompe se mette en marche. La pompe PressureMate® est livrée réglée à 207 kPa (30 lb/po²). Au début, il est recommandé de faire fonctionner la pompe sur ce réglage, puis de le modifier par la suite, au fur et à mesure que l'on acquerra de l'expérience avec le fonctionnement du système.
13. Avant de poursuivre l'installation, et pour de plus amples détails concernant les fonctions du système, se reporter aux rubriques de cette notice intitulées « Branchements électriques », « Servorégulateur », « Fonctionnement normal de la pompe » et « Quand la pompe cesse-t-elle de fonctionner? ».
14. À ce point, on peut brancher pour la première fois le cordon électrique de la pompe dans la prise de courant. Après avoir branché le cordon électrique de la pompe dans la prise de courant, la pompe démarrera et fonctionnera pendant 15 secondes, quelle que soit la pression réglée avec la manette rotative du servorégulateur. Si la pression d'arrivée est supérieure à la pression réglée, la pompe s'arrêtera après 15 secondes.
15. Pendant que la pompe fonctionne et après qu'elle s'arrête automatiquement, le système fonctionne à la pression réglée. Inspecter de nouveau les tuyaux et les raccords pour s'assurer qu'il n'y a pas de fuites. En cas de fuites, débrancher le cordon électrique de la pompe de la prise de courant; fermer le robinet de la conduite d'arrivée d'eau principale, puis ouvrir un robinet de l'habitation pour dissiper la pression dans les tuyaux. Réparer la fuite. Répéter cette opération jusqu'à ce que le système soit complètement étanche (qu'il ne fuit plus).

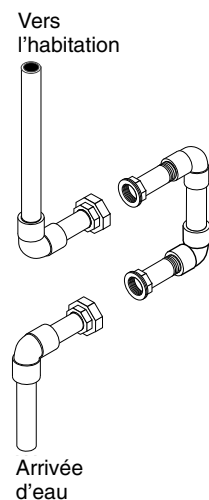


Figure 3 : Branchement type de la tuyauterie de dérivation pour permettre la dépose de la pompe au cas où elle devrait être réparée, sans avoir à fermer toute l'alimentation d'eau de l'habitation.

BRANCHEMENTS ÉLECTRIQUES

⚠ AVERTISSEMENT Tension dangereuse. Ne brancher cette pompe que dans une prise de courant adéquatement mise à la terre, protégée par un interrupteur de fuite à la terre et alimentée en courant alternatif de 115 volts, 60 Hz. Cette pompe est livrée avec un cordon électrique à 3 conducteurs dont un de mise à terre et une fiche à 3 broches. Ne pas modifier ni enlever la fiche. S'assurer que la prise de courant correspond, selon le cas, au National Electric Code ou au Code canadien de l'électricité. Pour ne pas subir de secousses électriques dangereuses, toujours garder le cordon électrique sec. Se reporter à la Figure 2.

SERVORÉGULATEUR

Le servorégulateur est monté sur la pompe. Il protège la pompe contre :

- Un fonctionnement à sec;
- Toute surchauffe;
- Des démarrages fréquents causés par de petites pertes d'eau dans le système;
- Les chutes de pression.

Le servorégulateur se caractérise par les témoins électroluminescents et les commandes suivants :

Témoin électroluminescent « POWER ON » (Sous tension) : Il indique que l'appareil est électriquement branché et qu'il est alimenté en courant électrique. La pompe est prête à fonctionner.

Témoin électroluminescent « PUMP ON » (Pompe en marche) : Il indique que la pompe fonctionne et qu'elle pompe de l'eau.

Témoin électroluminescent « WATER FAILURE » (Manque d'eau) : Il indique que la pompe n'est pas alimentée en eau.

Témoin électroluminescent « TEMPERATURE FAILURE » (Panne de température) : Il indique que la température à l'intérieur de la pompe a atteint 70° C (158° F).

Manette rotative de réglage de la pression « STARTING PRESSURE » (Pression de démarrage) : Elle permet de régler la pres-

sion du système entre 103 et 310 kPa (entre 15 et 45 lb/po²). La pompe démarrera automatiquement dès que la pression du système chutera sous la pression réglée avec la manette rotative « STARTING PRESSURE » (Pression de démarrage).

Touche « RESET » (Réenclenchement) : Elle permet de réenclencher les caractéristiques sécurité qui se sont déclenchées et à la pompe de redémarrer.

NOTA : Le servorégulateur ne répondra pas si la touche « RESET » (Réenclenchement) est tenue appuyée. Il faut appuyer sur cette touche puis la relâcher pour actionner la fonction de réenclenchement.

FONCTIONNEMENT NORMAL DE LA POMPE PRESSUREMATE®

⚠ ATTENTION Risque de brûlures. Ne JAMAIS faire fonctionner la pompe à sec, sinon elle risque de surchauffer et les personnes qui la manipuleront risqueront de se brûler. L'impulseur et le joint de l'arbre de la pompe peuvent également être endommagés si la pompe fonctionne à sec, ce qui pourrait causer des fuites ou une inondation. De plus, la garantie sera annulée. Avant de démarrer la pompe, la remplir d'eau.

S'assurer que la pompe PressureMate® a été adéquatement installée, amorcée (se reporter à la page 11), que le tuyau d'aspiration n'est pas obstrué et qu'il est ouvert.

Tourner la manette rotative « STARTING PRESSURE » (Pression de démarrage) à la pression minimum désirée du système.

Brancher le cordon électrique de la pompe dans la prise de courant. Les témoins électroluminescents « POWER ON » (Sous tension) et « PUMP ON » (Pompe en marche) s'allumeront indiquant, respectivement, que le courant électrique alimente la pompe et que la pompe est prête à fonctionner.

La pompe démarrera et fonctionnera pendant 15 secondes après que la pression dans le système aura dépassé la pression réglée avec la manette rotative « STARTING PRESSURE » (Pression de démarrage) et après que le ou les robinets de l'habitation auront été fermés.

QUAND LA POMPE CESSE-T-ELLE DE FONCTIONNER?

Réglage de la pression/Plus de débit : La pompe cesse de fonctionner et le témoin électroluminescent « PUMP ON » (Pompe en marche) s'éteint 15 secondes après :

- Dès que la pression dans le système est supérieure à la pression réglée avec la manette rotative « STARTING PRESSURE » (Pression de démarrage) et
- Que le ou les robinets de l'habitation auront été fermés.

Ce fonctionnement est normal.

Redémarrage : Dès que le débit est supérieur à 1 gal/min ou dès que la pression chute sous le réglage de la pression « STARTING PRESSURE » (Pression de démarrage), la pompe redémarre et le témoin électroluminescent « PUMP ON » (Pompe en marche) s'allume. La pompe continuera de fonctionner pendant 15 secondes après :

- Que la pression aura atteint la pression réglée, et
- Que le ou les robinets de l'habitation auront été fermés.

NOTA : Ce délai de 15 secondes avant que la pompe s'arrête empêche des fonctionnements et des arrêts rapides dès qu'on ouvre et ferme rapidement un robinet (par exemple, pendant qu'on se brosse les dents).

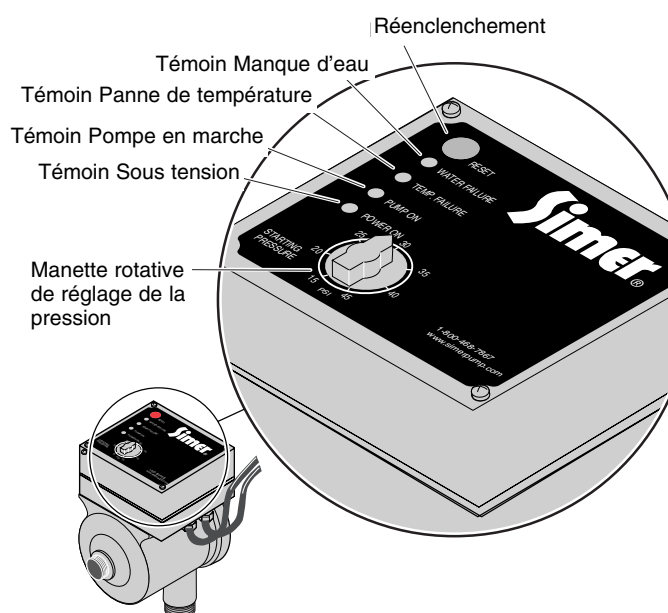


Figure 4 – Panneau des commandes du servorégulateur

Chute de pression/Plus de débit : Normalement, dès que la pompe démarre, la pression de l'eau augmente très rapidement et le servorégulateur détecte qu'il y a débit. S'il n'y a pas de débit d'eau pas et si la pression dans le système n'augmente pas, le servorégulateur a détecté « qu'il y a manque d'eau ». Il peut également détecter cette situation pendant que la pompe fonctionne si l'eau cesse de parvenir à la pompe. Pour protéger la pompe contre un fonctionnement à sec :

- 15 secondes après que le servorégulateur aura détecté « qu'il n'y a pas d'eau », la pompe cessera de fonctionner.
- Le témoin électroluminescent « PUMP ON » (Pompe en marche) s'éteindra et
- Le témoin électroluminescent « WATER FAILURE » (Manque d'eau) clignotera.

Redémarrage : S'assurer que la conduite d'aspiration n'est pas obstruée et qu'elle est bien branchée sur une source d'eau.

- Appuyer sur la touche « RESET » (Réenclenchement) et la tenir appuyée.
- Le témoin électroluminescent « PUMP ON » (Pompe en marche) doit s'allumer, et
- Le témoin électroluminescent « WATER FAILURE » (Manque d'eau) doit cesser de clignoter.

Si le débit est adéquat, la pompe continuera de fonctionner pendant 15 secondes après qu'elle aura atteint la pression réglée et que le ou les robinets de l'habitation auront été fermés.

Température élevée : Dès de la température de l'eau à l'intérieur de la pompe atteint 70° C (158° F),

- La pompe cesse de fonctionner,
- Le témoin électroluminescent « PUMP ON » (Pompe en marche) s'éteint, et
- Le témoin électroluminescent « PANNE DE TEMPÉRATURE » clignote.

Redémarrage : Attendre 20 minutes pour laisser la température de l'eau chuter sous 40° C (104° F) :

- S'assurer que la pompe est alimentée en eau et que le débit n'est pas obstrué.
 - Appuyer sur la touche « RESET » (Réenclenchement) puis la relâcher.
 - Le témoin électroluminescent « PUMP ON » (Pompe en marche) doit s'allumer, et
 - Le témoin électroluminescent « WATER FAILURE » (Manque d'eau) doit cesser de clignoter.
 - Sinon, laisser refroidir la pompe plus longtemps, puis réessayer.
- NOTA :** Si la pompe continue de chauffer pendant qu'elle fonctionne, l'arrêter et appeler le Service à la clientèle Simer en composant le 1 800 468-7867.

LUBRIFICATION

Le moteur a été lubrifié à l'usine pour la durée des paliers. Le joint de l'arbre de la pompe est lubrifié et refroidi par l'eau.

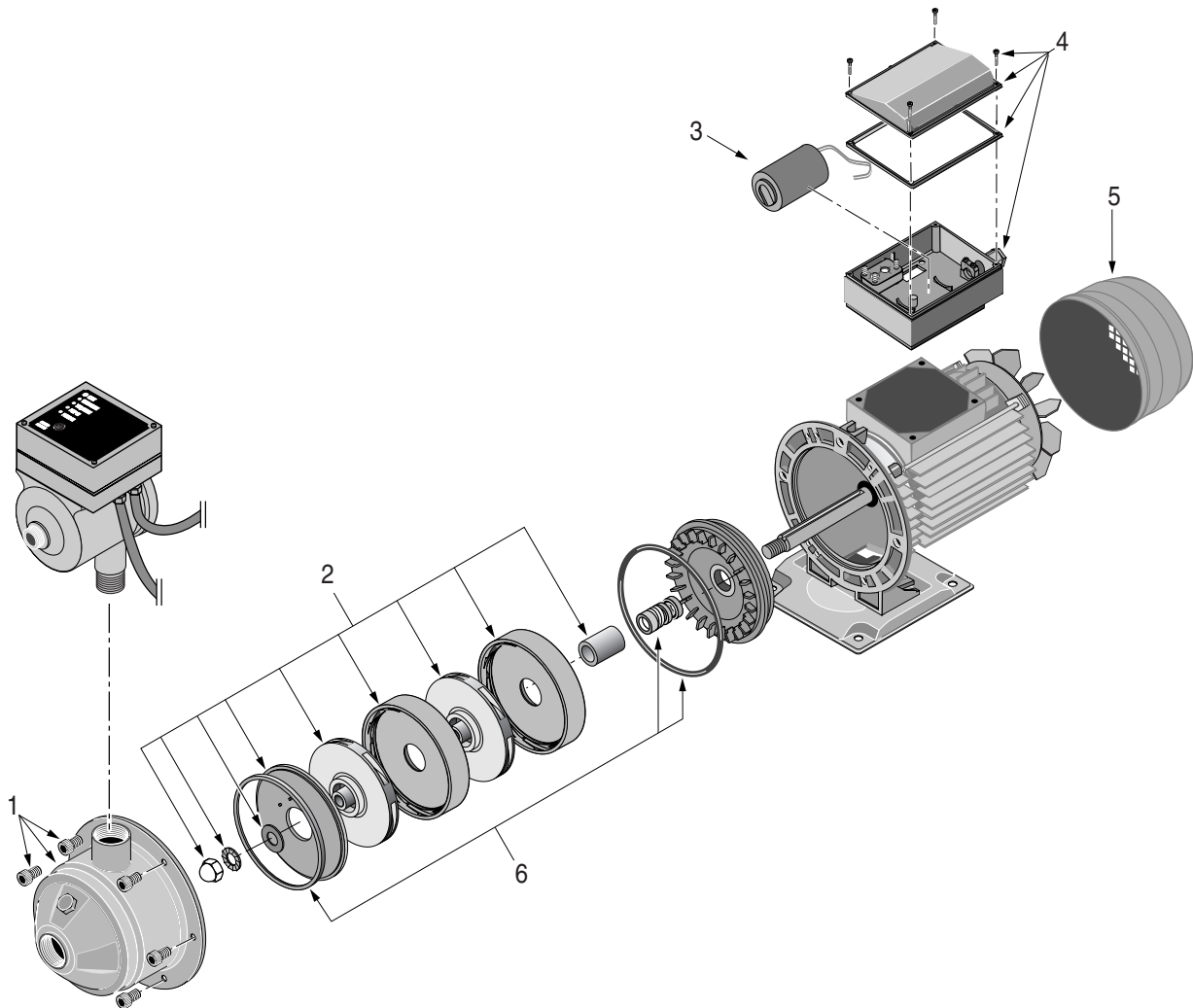
ENTRETIEN DE LA POMPE

⚠ AVERTISSEMENT **Tension dangereuse.** Risque de secousses électriques, de brûlures, voire de mort. Avant d'intervenir sur la pompe et le servorégulateur, débrancher le cordon électrique de la prise de courant. Ne pas manipuler la pompe ni le servorégulateur et ne pas essayer d'intervenir sur la pompe si on a les mains humides ou si l'on se tient sur un plancher mouillé ou humide.

Le moteur est doté d'un limiteur de surcharge à réenclenchement automatique. Si le moteur surchauffe, le limiteur de surcharge interrompra le courant électrique alimentant la pompe pour empêcher qu'elle soit endommagée; le limiteur de surcharge se réenclenchera automatiquement dès que le moteur aura refroidi. Si le limiteur de surcharge se déclenche de façon répétitive, vérifier la pompe et déterminer la cause de cet incident (basse tension, impulseur bouché, etc.).

DÉPANNAGE

SYMPTÔMES	CAUSES POSSIBLES	MESURES CORRECTIVES
Le moteur ne démarre pas	Le fusible est sauté ou le disjoncteur est disjuncté Le cordon électrique n'est pas branché dans une prise de courant	COUPER LE COURANT; Remplacer le fusible ou réenclencher le disjoncteur. Brancher le cordon électrique dans une prise de courant mise à la terre, alimentée en courant alternatif de 115 volts.
Le moteur chauffe et le limiteur de surcharge se déclenche ou bien le moteur ne fonctionne pas et ne fait que « murmurer »	La tension est trop basse L'impulseur ne tourne pas librement	Vérifier la tension alimentant la pompe. Vérifier l'impulseur pour s'assurer qu'il tourne librement et qu'il n'est pas bouché.
Le moteur fonctionne mais la pompe ne débite pas d'eau* <small>* (Nota : Débrancher le cordon électrique de la pompe de la prise de courant, puis ouvrir un robinet pour confirmer que l'eau circule dans le système).</small>	La pompe n'est pas adéquatement amorcée Le filtre à eau est bouché Le robinet de refoulement est fermé Le diamètre des tuyaux est trop petit L'impulseur est bouché Les tuyaux sont gelés	Réamorcer la pompe conformément aux instructions. Arrêter la pompe. Fermer l'arrivée d'eau et remplacer la cartouche filtrante. Le filtre doit être posé sur le côté refoulement de la pompe. Ouvrir le robinet. Remplacer les tuyaux par des tuyaux du même diamètre que les orifices d'aspiration et de refoulement de la pompe. Nettoyer l'impulseur. Les dégeler.
*La pompe ne débite pas à son débit maximal	Les tuyaux rigides sont corrodés Le diamètre des tuyaux est trop petit La pompe n'est pas suffisamment alimentée en eau Basse tension	Les remplacer par des tuyaux rigides en plastique ou des tuyaux en acier neufs. Remplacer les tuyaux par des tuyaux du même diamètre que les orifices d'aspiration et de refoulement de la pompe. Utiliser un tuyau d'arrivée d'eau de diamètre plus gros; vérifier le système de pompage du puits. S'assurer que la prise de courant est alimentée en courant alternatif de 115 volts.



4220 0702

Série Ace-In-The-Hole, modèle 3075SS

Réf.	Désignation des pièces	Qté	3075SS 1/2 ch
1	Corps de la pompe (comprend les boulons)	1	FPP1801
2	Trousse des pièces internes	1	FPP1870
3	Condensateur	1	171P5750
4	Trousse de boîte de câblage/Couvercle/Joins	1	FPP1802
5	Carter du ventilateur	1	721S1090
6	Trousse de joints d'arbre et de joints toriques	1	FPP1850

¡ES IMPORTANTE LEER Y SEGUIR LAS INSTRUCCIONES DE SEGURIDAD!

⚠ Este es el símbolo de alerta de seguridad. Cuando vea este símbolo en su bomba o en este manual, busque una de las siguientes palabras de señal y esté alerta a la posibilidad de lesiones personales.

⚠ PELIGRO Advierte sobre peligros que **provocarán** lesiones personales graves, muerte o daños materiales considerables si se les ignora.

⚠ ADVERTENCIA Advierte sobre peligros que **pueden** provocar lesiones personales graves, muerte o daños materiales considerables si se les ignora.

⚠ PRECAUCIÓN Advierte sobre peligros que **provocarán o pueden provocar** lesiones personales o daños materiales menores si se les ignora.

La etiqueta de **ATENCIÓN (NOTICE)**, indica instrucciones especiales que son importantes pero que no están asociadas a peligros.

Lea y observe cuidadosamente todas las instrucciones de seguridad que aparecen en este manual y en el equipo.

Mantenga las etiquetas de seguridad en buen estado.

Cambie toda etiqueta de seguridad que falte o esté dañada.

Asegúrese de que los talleres sean "a prueba de niños", use candados e interruptores maestros; retire las llaves de arranque/encendido.

INSTRUCCIONES GENERALES DE SEGURIDAD

1. Para evitar el riesgo de lesiones corporales graves y daños materiales, lea con atención las instrucciones de seguridad antes de instalar esta bomba.
2. Observe los códigos de plomería, construcción y electricidad tanto locales como nacionales cuando instale la bomba. Use tubos rígidos cuando instale esta bomba.
3. **⚠ ADVERTENCIA** **Presión peligrosa. El cuerpo de la bomba puede explotar si ésta se usa para reforzar presión por encima de los 100 psi (689 kPa).** Instale una válvula de desahogo de presión en la línea de descarga, capaz de pasar el caudal total de la bomba a 100 psi (689 kPa). Si esta disposición está en conflicto con el código, siga las instrucciones del código. No use esta bomba con una presión de admisión superior a 50 psi (345 kPa).
4. Se recomienda instalar un interruptor de cierre de seguridad por baja presión, para apagar la bomba en caso de una presión de descarga baja debido a la interrupción del suministro de agua entrante, a una tubería rota, etc.
5. **Nunca deje marchar la bomba en seco.** Esto podría dañar las piezas internas de la bomba, recalentarla (lo que provocaría quemaduras a las personas que estuviesen trabajando con la bomba o reparándola), y anulará la garantía.
6. **⚠ ADVERTENCIA** **Riesgo de incendio o de explosión.** Para evitar el riesgo de incendio y explosión, **bombee agua solamente con esta bomba.** No bombee líquidos ni sustancias químicas inflamables. No use la bomba cerca de luces

piloto de gas o en áreas en presencia de vapores químicos o de gases. El uso de una bomba eléctrica con líquidos que no sean agua o en una atmósfera que contenga vapores químicos o gases, podrá inflamar esos líquidos o gases, provocando lesiones o muerte debido a una explosión y/o un incendio.

7. **⚠ ADVERTENCIA** **Peligro de quemaduras.** Si el agua queda atrapada en la bomba durante el funcionamiento, ésta se puede convertir en vapor. El vapor atrapado puede conducir a una explosión y a quemaduras. Nunca deje marchar la bomba con la llave de salida cerrada u obstruida.
8. **⚠ PRECAUCIÓN** **No toque un motor en funcionamiento.** Los motores modernos están diseñados para funcionar a altas temperaturas. Para evitar quemaduras durante las reparaciones y el mantenimiento de la bomba, deje que se enfríe durante 20 minutos después de apagarla y antes de intentar manipularla.

INSTRUCCIONES DE SEGURIDAD ASOCIADAS CON LA ELECTRICIDAD

⚠ La bomba viene provista de un cordón de 3 conductores con conexión a tierra. Conéctela solamente a un tomacorriente debidamente puesto a tierra y protegido por un "GFCI" (disyuntor diferencial). No levante la bomba por medio del cordón eléctrico.

⚠ ADVERTENCIA **Tensión peligrosa.** Puede provocar choque eléctrico, quemaduras o muerte. Conecte la bomba a tierra antes de conectarla a una fuente de suministro de energía. Desconecte la corriente antes de trabajar con la bomba, con el motor o con el tanque.

⚠ La bomba y el controlador no son sumergibles. Mantenga el motor seco en todo momento. No lave el motor. No lo sumerja. Proteja el motor en situaciones de clima lluvioso.

⚠ Si usa un cordón de alargue, use solamente un cordón trifilar, aprobado para uso en el interior y al aire libre, con conexión a tierra. No permita que ninguna parte del cordón o los extremos del receptáculo queden apoyados en el agua o en lugares húmedos.

⚠ Desenchufe la bomba antes de repararla o de realizar trabajos de mantenimiento. Para evitar choques fatales, proceda de la siguiente manera si es necesario reparar o realizar trabajos de mantenimiento en la bomba.

- A. **Desconecte la corriente a la caja de salida de la bomba antes de desenchufarla.** Después de haberla desenchufado, deje que la bomba se enfríe durante 20 minutos antes de tratar de trabajar en la misma.
- B. **Proceda con extrema cautela cuando cambie los fusibles.** Para reducir la posibilidad de choques eléctricos fatales, NO se pare sobre el agua ni ponga sus dedos en el portafusibles.
- C. **Conecte a tierra** la caja eléctrica de salida.
- D. **Enchufe la bomba y el controlador en un tomacorriente conectado a tierra y protegido por un Disyuntor Diferencial ("GFCI" según sus siglas en inglés).**

Gracias por comprar una bomba de alta calidad, probada en la fábrica.

	Página
Información General sobre la Seguridad.....	18
Garantía.....	19
Información general.....	20
Instalación	20, 21
Conexión eléctrica.....	22
Controlador automático de presión.....	22
Operación.....	22
¿Cuándo deja de funcionar la bomba?.....	22, 23
Servicio.....	23
Localización de fallas	23
Repuestos para la reparación	24

Garantía limitada de Simer

SIMER garantiza al comprador consumidor original (“Comprador”) de sus productos que se encuentran libres de defectos en material o mano de obra. Si dentro de los doce (12) meses a partir de la fecha de la compra original por el consumidor, ese producto resulta defectuoso, éste será reparado o reemplazado a opción de SIMER, sujeto a los términos y condiciones mencionados a continuación. Su recibo de compra se usará para determinar la elegibilidad de la garantía.

Excepciones a la Garantía de doce (12) meses

Garantía de tres (3) años

Si dentro de los tres (3) años de la compra por parte del comprador inicial, se comprueba que un producto 3075SS es defectuoso, éste será reparado o reemplazado a opción de SIMER, sujeto a los términos y condiciones indicados a continuación.

Términos y Condiciones Generales

El comprador deberá pagar por toda la mano de obra y cargos de envío necesarios para reemplazar el producto cubierto por esta garantía. Esta garantía no corresponde en caso de actos fortuitos ni corresponde a productos que, a solo juicio de SIMER, hayan sido objeto de negligencia, abuso, accidente, mala aplicación, alteraciones forzosas o de otro tipo; ni debido a instalación, operación, mantenimiento o almacenamiento indebidos; ni debido a toda operación, uso o servicio que no sea normal, incluyendo, pero sin limitarse a, fallas de operación ocasionadas por corrosión, herrumbre u otros materiales foráneos en el sistema, o por la operación a presiones en exceso a los máximos que se recomiendan.

Las solicitudes de servicio bajo esta garantía se deberán realizar por medio de la devolución del producto defectuoso a la tienda minorista o a SIMER a la brevedad posible después de haber descubierto el supuesto defecto. SIMER entonces tomará una acción correctiva tan pronto como sea razonablemente posible. No se aceptarán solicitudes de servicio bajo esta garantía si se reciben después de más de 30 días de terminado el período de la garantía.

Esta garantía establece la única obligación de SIMER y el recurso exclusivo del comprador en relación a productos defectuosos.

SIMER NO SE HARÁ RESPONSABLE DE NINGÚN DAÑO CONSECUENTE, INCIDENTAL O CONTINGENTE.

LAS GARANTÍAS QUE ANTECEDEN SON EXCLUSIVAS Y EN LUGAR DE TODA OTRA GARANTÍA EXPLÍCITA O IMPLÍCITA, INCLUYENDO PERO SIN LIMITARSE A LAS GARANTÍAS IMPLÍCITAS DE COMERCIABILIDAD E IDONEIDAD PARA UN FIN ESPECÍFICO, Y NO SE EXTENDERÁN MÁS ALLÁ DE LA DURACIÓN DE LAS GARANTÍAS EXPLÍCITAS CORRESPONDIENTES SUMINISTRADAS EN LA PRESENTE.

Algunos estados no permiten la exclusión o limitación de daños incidentales o consecuentes o de limitaciones de tiempo sobre garantías implícitas, de modo que es posible que las limitaciones o exclusiones que preceden no correspondan en su caso. Esta garantía le otorga derechos legales específicos y es posible que Ud. también tenga otros derechos que pueden variar de un estado al otro.

**SIMER. • 293 Wright St. • Delavan, WI, E.U.A. 53115
Teléfono: 1-800-468-7867/1-800-546-7867 • Fax: 1-800-390-5351**

Use PressureMate® para reforzar la presión del agua de servicio municipal. Las conexiones de plomería se describen en este manual.

INFORMACIÓN GENERAL

- Bombee solamente agua limpia con su PressureMate. Para evitar obstruir la bomba y dañar el sello del eje, no bombee agua que contenga partículas sólidas, materiales extraños, arena, limo o sustancias abrasivas.
- Si está reforzando la presión de una bomba de pozo, verifique que las válvulas checadoras del sistema estén bien ajustadas. Si cae la presión del sistema cuando la bomba de pozo no está marchando, la PressureMate puede encenderse y comenzar el ciclo. Un ciclo excesivo o rápido puede dañar el motor y anulará la garantía.
- No use compuestos para juntas de tuberías en los orificios de la bomba; use solamente cinta de teflón para sellar las roscas. El compuesto para juntas de tuberías dañará los materiales del controlador.

NOTA: El tapón de cebadura ya tiene un aro tórico instalado y no es necesario sellarlo.

- Ajuste a mano todas las juntas de las tuberías a la bomba más 1-1/2 vueltas (no más).
Si ajusta demasiado, puede romper la bomba y se anulará la garantía.
- Las tuberías y los accesorios a la bomba deben ser por lo menos de 1 pulgada de diámetro nominal. Las tuberías o los accesorios menores de 1 pulgada de diámetro reducirán el rendimiento y pueden dañar la bomba debido a la cavitación.
- Verifique que no hayan fugas de aire ni bolsas de aire en la tubería de aspiración. Una fuga de aire en la tubería de aspiración puede hacer penetrar aire, aunque no se observen fugas de agua. Las fugas de aire y las bolsas de aire evitarán que la bomba se ceebe debidamente, y puede reducir su rendimiento en forma considerable.
- El montaje de la bomba debe ser nivelado, sólido, tan cerca de la fuente de agua como sea posible, y protegido contra el exceso de humedad y contra inundaciones.
- Use el trayecto más corto posible para la tubería y la menor cantidad posible de accesorios. Trayectos de tubería largos y numerosos accesorios aumentan la fricción y reducen el flujo del agua.
- Apoye el peso de la tubería y de la bomba.
- No permita que la bomba, el controlador de presión ni ningún componente del sistema se congelen. El congelamiento dañará la bomba y anulará la garantía.
- Inspeccione periódicamente la bomba, el controlador de presión y los componentes del sistema.

NOTA: El código local puede especificar el uso de una válvula de desahogo de presión o de un regulador de presión.

▲ PRECAUCIÓN **Riesgo de fugas y de inundación.** No use esta bomba con una presión de admisión superior a 50 psi (345 kPa).

▲ ADVERTENCIA **Peligro de presión y riesgo de explosión.** Esta bomba puede desarrollar una presión alta si se hace funcionar con la descarga cerrada u obstruida. Para una operación segura, recomendamos lo siguiente:

Instale una válvula de desahogo de presión en la línea de descarga, capaz de pasar el caudal total de la bomba a 100 psi

(689 kPa) (Consulte la Figura 2). Si esta disposición está en conflicto con el código, siga las instrucciones del código. Deje que la descarga de la válvula de desahogo vaya hacia un desagüe del piso o a otro desagüe que permita una eliminación adecuada.

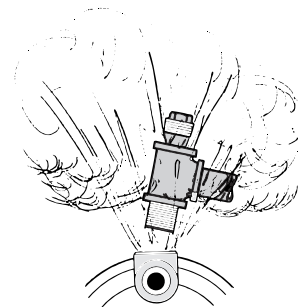


Figura 1 – No deje marchar la bomba con la admisión cerrada

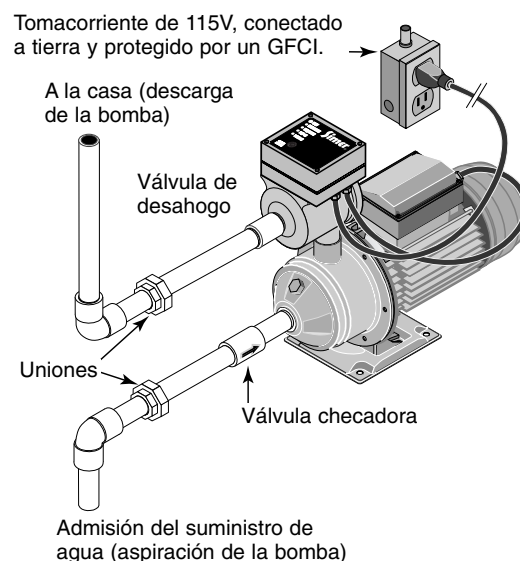


Figura 2: Instalación típica de refuerzo en un entorno doméstico. Adquiera los accesorios de plomería por separado. Consulte el código con los requerimientos para la válvula de desahogo y el regulador de presión.

INSTALACIÓN

▲ PRECAUCIÓN **Riesgo de inundación.** Verifique que toda la plomería y los accesorios estén clasificados para resistir la presión del sistema que se espera que genere la bomba.

1. Decida cuál es el mejor lugar para instalar la bomba. Tenga en cuenta lo siguiente:
 - debe estar cerca de la línea principal de suministro de agua.
 - la bomba debe ser accesible
 - el cordón eléctrico debe llegar hasta un tomacorriente
 - las luces DEL del controlador deben ser visibles
 - facilidad de plomería
 - ahorro de espacio

NOTA: Se recomienda (y es posible que su código local así lo requiera) instalar un interruptor de cierre de seguridad por baja presión en la descarga de la bomba para apagar la corriente en caso de una baja presión de descarga (provocada por una tubería rota, etc.).

2. Instale la bomba sobre una base firme en el lugar que haya decidido.
3. Escoja un momento en que pueda cerrar el suministro de agua a la casa mientras instala la PressureMate.
4. Cierre la válvula principal de suministro de agua a la casa.
5. Abra cualquier grifo para descargar la presión del agua en la plomería. Una vez que haya descargado la presión del agua, cierre el grifo.
6. **LEA COMPLETAMENTE EL PASO 6 ANTES DE COMENZAR A TRABAJAR EN LA BOMBA.** Usted debe sacar un largo de la tubería de la línea de suministro principal de agua para permitir la instalación de los codos para la PressureMate. Los lugares de los cortes deben tener en cuenta el tamaño de los codos que se estén usando, el largo de las roscas en las juntas fileteadas o la superposición en las juntas adheridas o soldadas, etc. Coloque los codos en línea con las roscas de aspiración y descarga de la bomba. Puede haber una pequeña fuga de agua mientras esté cortando la tubería. Saque las rebabas o virutas creadas por la herramienta de corte.

NOTA: Es posible que no se necesite cortar las tuberías galvanizadas. Si hay una unión cerca del lugar de la bomba, desarme la unión y saque (destornille) la tubería hasta pasar el lugar de ubicación de la bomba. Corte y enrosque nuevos largos de tubería para permitir la instalación de la bomba.

NOTA: Tanto los orificios hembra de aspiración como los orificios macho de descarga tienen roscas NPT de 1 pulgada. Según el tipo de conexión que usted tenga y el tamaño de la tubería de su casa, es posible que deba instalar adaptadores en los orificios.

7. Una vez que haya sacado un trozo pequeño de tubería, podrá drenar la tubería que se encuentre por encima del corte para evitar que el agua ensucie el área. Coloque un balde debajo de la abertura que conduce hacia la casa. Abra el grifo más alto en el sistema para dejar entrar el aire, de manera que el agua pueda caer y salir de las tuberías hacia el balde. Una vez que haya drenado, cierre el grifo.
8. Instale los codos en la línea de suministro principal de agua. Apúntelos hacia la bomba.

▲ ADVERTENCIA **Riesgo de explosión de la manguera y de inundación.** No haga la instalación con mangueras flexibles. Use solamente tubos rígidos que cumplan con las disposiciones del código.

9. Instale la tubería desde los codos a la bomba incluyendo una unión en cada línea y una válvula checadora en la línea de aspiración de la bomba. La flecha en la válvula checadora debe apuntar hacia la aspiración de la bomba (consulte la Figura 2). Instale una válvula de desahogo de presión en la línea de descarga, capaz de pasar el caudal total de la bomba a 100 psi (689 kPa). Si esta disposición está en conflicto con el código, siga las instrucciones del código. También se debería instalar un interruptor de cierre de seguridad por baja presión en la línea de descarga, que puede ser exigido por sus códigos locales.

10. Con todas las tuberías y los accesorios instalados y sellados herméticamente, abra lentamente el suministro principal de agua para presurizar el sistema y verificar que no haya fugas. Si aparecen fugas, cierre la válvula principal, abra un grifo para descargar la presión y reparar la fuga. Repita este paso hasta que ya no haya fugas en el sistema.
11. Abra un grifo para descargar el aire de las tuberías y dejar que corra el agua. Cuando observe que sale un chorro firme de agua del grifo, la bomba estará llena de agua y completamente cebada. Cierre el grifo.
12. Haga girar la perilla del controlador a la presión en que desea que la bomba se encienda. La PressureMate viene graduada de fábrica a 30 psi (207 kPa) y le recomendamos que comience a esa presión y luego la ajuste según su experiencia con el sistema.
13. Antes de continuar con la instalación consulte las secciones de este manual tituladas "Conexiones Eléctricas", "Controlador Automático de Presión", "Funcionamiento normal" y "Cuándo deja de funcionar la bomba", para obtener información detallada sobre cómo funciona el sistema.
14. Ahora usted puede enchufar la bomba por primera vez. Cuando enchufe el cordón eléctrico, la bomba se encenderá y marchará por unos 15 segundos independientemente de la graduación del controlador. Si la presión de admisión es superior al punto de referencia, la bomba se detendrá después de 15 segundos.
15. Cuando la bomba marche y después se apague automáticamente, el sistema estará a las presiones reforzadas. Inspeccione la tubería y los accesorios nuevamente para verificar que no haya fugas. Si aparecen fugas, desenchufe la bomba, cierre la válvula principal de suministro de agua, abra un grifo para descargar la presión y repare la fuga. Repita este paso hasta que no haya más fugas en el sistema.

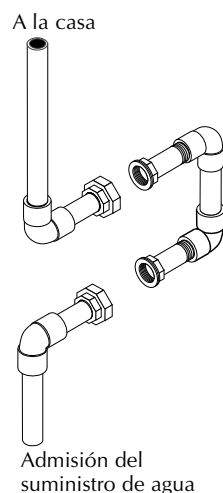


Figura 3: Tubería típica de desviación que se necesita para permitir la remoción de la bomba para reparaciones sin cerrar el sistema de agua doméstico.

CONEXIONES ELÉCTRICAS

⚠ ADVERTENCIA Riesgo de choque eléctrico peligroso o fatal. Enchufe la bomba solamente en un tomacorriente de 115 voltios, 60 ciclos, conectado a tierra y protegido por un Disyuntor Diferencial (“GFCI” según sus siglas en inglés). La bomba viene equipada con un cordón eléctrico trifilar y un enchufe conectados a tierra. No modifique ni saque el enchufe. Asegúrese de que el tomacorriente cumpla con las normas del National Electric Code o del Canadian Electrical Code, según corresponda. Para evitar el peligro de choque eléctrico, mantenga el cordón seco en todo momento. Consulte la Figura 2.

CONTROLADOR AUTOMÁTICO DE PRESIÓN

El Controlador Automático de Presión se monta sobre la bomba y la protege contra:

- funcionamiento en seco;
- recalentamiento;
- arranques frecuentes provocados por pérdidas pequeñas de agua en el sistema;
- caída de presión.

El Controlador Automático de Presión tiene las luces DEL (diodo emisor de luz) y los controles siguientes:

Luz de “Corriente activada”: indica que la unidad está conectada eléctricamente y que hay tensión eléctrica. La bomba está lista para funcionar.

Luz de “Bomba encendida”: indica que la bomba está marchando y bombeando agua.

Luz de “Falla de agua”: indica que no se detecta agua desde la bomba.

Luz de “Falla de temperatura”: indica que la temperatura dentro de la bomba ha alcanzado los 158° F (70° C).

El cuadrante de “Presión inicial” le permite graduar la presión del sistema entre 15 y 45 psi (103 y 310 kPa). La bomba se encenderá automáticamente cuando la presión del sistema caiga por debajo del punto de presión configurado en el cuadrante de “Presión inicial”.

El botón de “Reposición”, reposiciona todos los medios de seguridad que se hayan disparado y permite que la bomba se vuelva a encender.

NOTA: La unidad no responderá si se mantiene oprimido el botón de “REPOSICIÓN”. Se debe oprimir y soltar para activar la función de reposición.

FUNCIONAMIENTO NORMAL DE LA PRESSUREMATE

⚠ PRECAUCIÓN Peligro de quemaduras. NUNCA deje marchar la bomba en seco. Si se deja que la bomba marche sin agua, ésta se podrá recalentar y podrá quemar a las personas que estén manipulando la bomba. También podrá dañar el impulsor y el sello, provocando fugas o inundación, y anulará la garantía. Llene la bomba con agua antes de encenderla.

Verifique que la PressureMate se haya instalado y cebado debidamente (Consulte la Página 4), y que la tubería de aspiración no esté obstruida y esté abierta.

Haga girar el cuadrante de “PRESIÓN INICIAL” a la presión mínima del sistema que se desee.

Enchufe la bomba. Se encenderán las luces de “CORRIENTE ACTIVADA” y “BOMBA ENCENDIDA”, indicando respectivamente, que hay tensión eléctrica y que la bomba está lista para funcionar.

La bomba comenzará a funcionar y continuará funcionando hasta 15 segundos después de que la presión del sistema se haya elevado más allá del punto de referencia en el cuadrante de “PRESIÓN INICIAL” y el flujo se haya detenido.

¿CUÁNDO DEJA DE FUNCIONAR LA BOMBA?

Punto de referencia de presión/ sin flujo: La bomba dejará de funcionar y la luz de “BOMBA ENCENDIDA” se apagará 15 segundos después de que:

- La presión del sistema es superior al punto configurado en el cuadrante de PRESIÓN INICIAL, y
- El flujo se haya detenido.

Este es el funcionamiento normal.

Reinicio: Un flujo de agua en el sistema mayor de 1 gpm o una caída en la presión por debajo del punto de referencia de la PRESIÓN INICIAL, hará que la bomba reinicie su ciclo y se encienda la luz de “BOMBA ENCENDIDA”. La bomba continuará funcionando hasta 15 segundos después de que:

- haya alcanzado la presión configurada, y
- el flujo se haya detenido.

NOTA: La demora de 15 segundos de la bomba en apagarse evita la creación de un ciclo rápido cuando los grifos de agua se abren y cierran rápidamente (por ejemplo, cuando uno se lava los dientes, etc.).

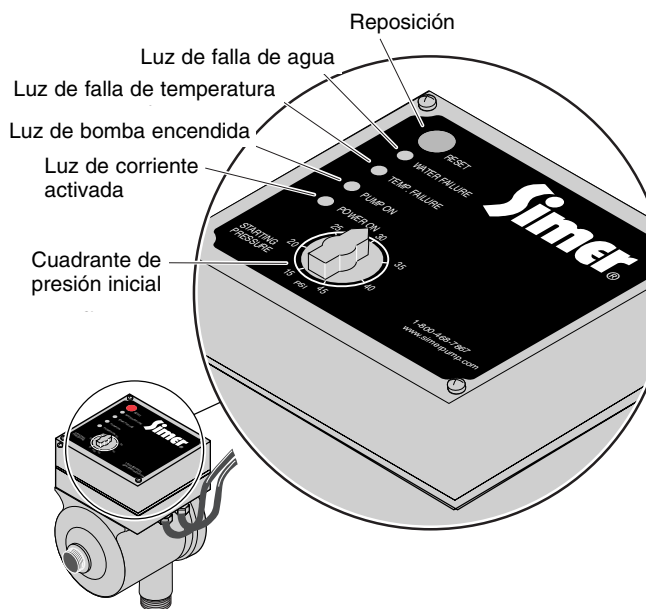


Figura 4 – Tablero de control de PressureMate

Caída de presión / Sin flujo: Normalmente, cuando la bomba inicia el bombeo, rápidamente genera presión y flujo. Si no hay flujo y la presión no sube, detecta un estado de “falta de agua”. También puede detectar esto durante el funcionamiento, si falla el suministro de agua hacia la bomba. Para proteger a la bomba y evitar que marche en seco:

- 15 segundos después de haber detectado el estado de “falta de agua”, la bomba dejará de funcionar,
- Se apagará la luz de “BOMBA ENCENDIDA”, y
- La luz de “FALLA DE AGUA” comenzará a centellear.

Reinicio: Asegúrese de que la línea de aspiración no esté obstruida y que esté conectada a una fuente de suministro de agua.

- Oprima y suelte el botón de “REPOSICIÓN”,
- La luz de “BOMBA ENCENDIDA” se deberá encender, y
- La luz de “FALLA DE AGUA” deberá dejar de centellear.

Si el flujo es adecuado, la bomba funcionará hasta 15 segundos después de que alcance la presión del punto de referencia y el flujo se detenga.

Temperatura alta: Cuando la temperatura del agua dentro de la bomba alcanza los 158° F (70° C),

- La bomba dejará de funcionar,
- La luz de “BOMBA ENCENDIDA” se apagará, y
- La luz de “FALLA DE TEMPERATURA” comenzará a centellear.

Reinicio: Espere 20 minutos para permitir que la temperatura del agua caiga por debajo de los 104° F (40° C).

- Asegúrese de que la bomba esté provista de agua y que el flujo no tenga obstrucciones.
- Oprima y suelte el botón de “REPOSICIÓN”,

- La luz de “BOMBA ENCENDIDA” se deberá encender, y
- La luz de “FALLA DE TEMPERATURA” deberá dejar de centellear.
- De lo contrario, deje que se enfríe por más tiempo y vuelva a tratar.

NOTA: Si la bomba continúa calentándose durante el funcionamiento, apáguela y llame al Servicio de Atención al Cliente de Simer, 1-800-468-7867.

LUBRICACIÓN

El motor viene lubricado de fábrica para la vida útil de los cojinetes. El sello de la bomba se enfría por agua y es auto-lubricante.

SERVICIO DE LA BOMBA

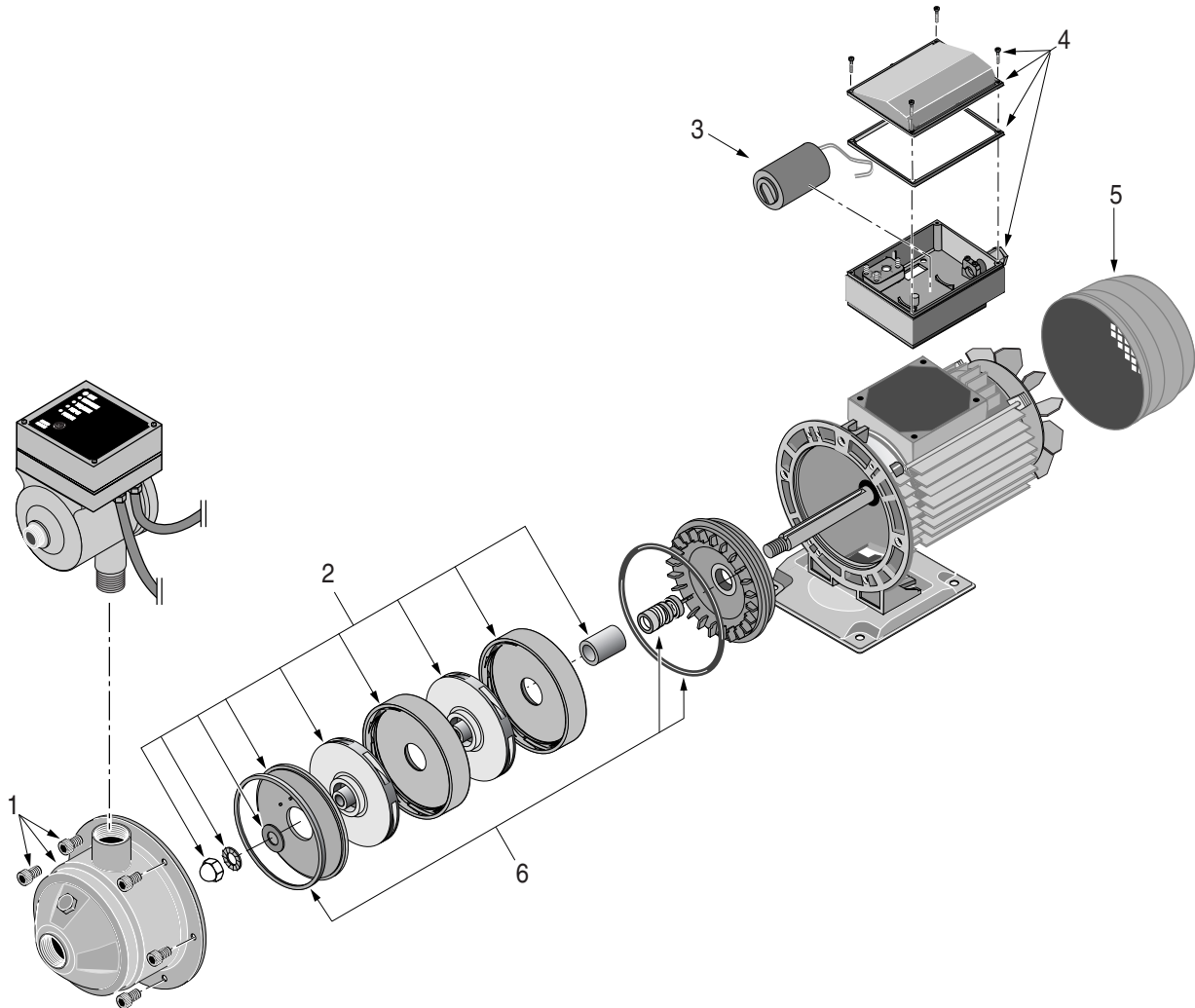
▲ ADVERTENCIA

Tensión peligrosa. Puede provocar choques, quemaduras o muerte. Desenchufe la bomba y el controlador antes de realizar trabajos de reparación o mantenimiento en los mismos. No maneje la bomba ni el controlador, ni trate de trabajar en la bomba con manos mojadas o cuando esté parado sobre un piso mojado o húmedo.

El motor tiene un protector de sobrecarga térmico que se reposiciona automáticamente. Si se recalienta el motor, el protector de sobrecarga cortará la corriente para evitar daños y se reposicionará después de que el motor se haya enfriado. Si el protector de sobrecarga se dispara repetidamente, inspeccione la bomba para determinar la causa (baja tensión, impulsor obstruido, etc.).

LOCALIZACIÓN DE FALLAS

SÍNTOMA	CAUSA(S) POSIBLE(S)	MEDIDA CORRECTIVA
El motor no funciona	El fusible está quemado o se disparó el disyuntor El cordón eléctrico no está enchufado	DESCONECTE LA CORRIENTE: Cambie el fusible o reposicione el disyuntor. Enchufe en un tomacorriente de 115 voltios conectado a tierra.
El motor marcha en caliente y el protector de sobrecarga se dispara, o el motor no marcha y sólo zumba	La tensión es demasiado baja El impulsor no se está moviendo con libertad	Verifique la tensión de suministro a la bomba. Verifique que el impulsor se esté moviendo libremente y que no esté obstruido.
El motor marcha pero no descarga agua* *(NOTA: <i>Desenchufe la bomba</i> ; luego abra los grifos y observe si el agua corre a través del sistema)	Cebadura inadecuada Filtro de agua obstruido Válvula de descarga cerrada Tubería de tamaño demasiado pequeño El impulsor está obstruido Las tuberías están congeladas	Vuelva a cebar según las instrucciones. Detenga la bomba, cierre el suministro de agua y cambie el cartucho de filtro. El filtro se debe instalar del lado de la descarga de la bomba. Abra la válvula. Vuelva a conectar las tuberías usando una tubería del mismo tamaño que los orificios de aspiración y de descarga en la bomba. Limpie el impulsor. Descongele las tuberías.
* La bomba no descarga agua a toda su capacidad	Tuberías corroídas La tubería es de un tamaño demasiado pequeño No se suministra suficiente agua a la bomba Baja tensión	Reemplace con tuberías nuevas de plástico rígido o de acero. Vuelva a conectar las tuberías usando una tubería rígida del mismo tamaño que los orificios de aspiración y de descarga en la bomba. Agrande la tubería de admisión; inspeccione el sistema de la bomba de pozo. Verifique que el tomacorriente sea de 115 voltios.



4220 0702

Modelo 3075SS de la Serie “Ace-in-the-hole” (“La mejor baza”)

Clave No.	Descripción de la pieza	Cantidad	3075SS 1/2 HP
1	Juego de unidad de bomba (incluye pernos)	1	FPP1801
2	Juego de repuestos internos	1	FPP1870
3	Capacitor	1	171P5750
4	Juego de caja de cables / Cubierta / Empaquetadura	1	FPP1802
5	Rejilla de protección	1	721S1090
6	Juego de sello del eje y aro tórico	1	FPP1850