



Parrot MINIKIT *Smart*

User guide

Parrot MINIKIT *Smart*

Before you begin	0
Installation	4
Installing the Parrot MINIKIT Smart.....	4
Installing the phone.....	6
Charging the Parrot MINIKIT Smart.....	6
Charging the phone.....	7
Getting started	8
Turning the Parrot MINIKIT Smart on / off	8
Accessing the Parrot MINIKIT Smart menu	8
Connecting a phone by Bluetooth.....	8
Synchronising the phonebook.....	9
Recording voice tags.....	9
Phone	10
Receiving a call.....	10
Making a call.....	10
Using the Parrot MINIKIT Smart while on a call.....	11
Troubleshooting	13
The kit says «Memory full».....	13
The kit seems to be frozen.....	13
The kit does not seem to work with my phone.....	13
General information	14

Before you begin

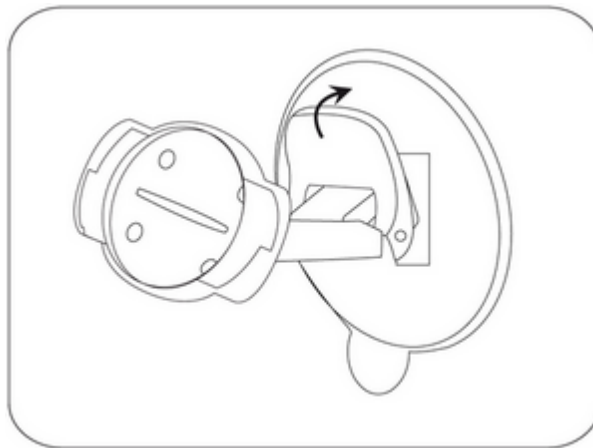
- All functions requiring an increased attention should only be used while the vehicle is stationary. Your safety and the one of the other road users prevails over your phone call or the GPS instructions.
- The quality of your GPS signal may be decreased if your vehicle has an athermic windscreen.

Installation

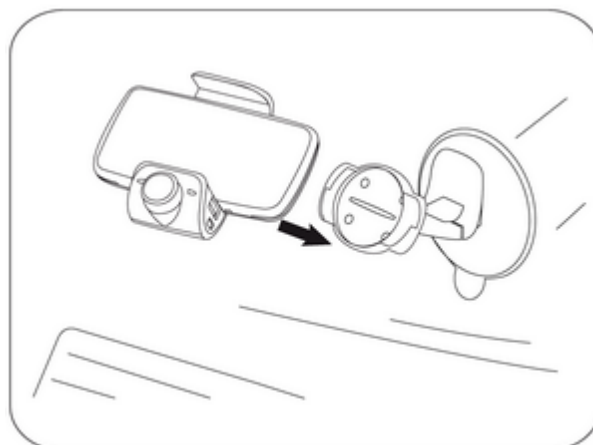
Installing the Parrot MINIKIT Smart

Warning: Avoid any installation which could hinder the use of any important command or hinder the driver's visibility. Do not install the Parrot MINIKIT Smart in the airbag deployment area or in a possible head impact area. Make sure it is not exposed to the air stream from air vents.

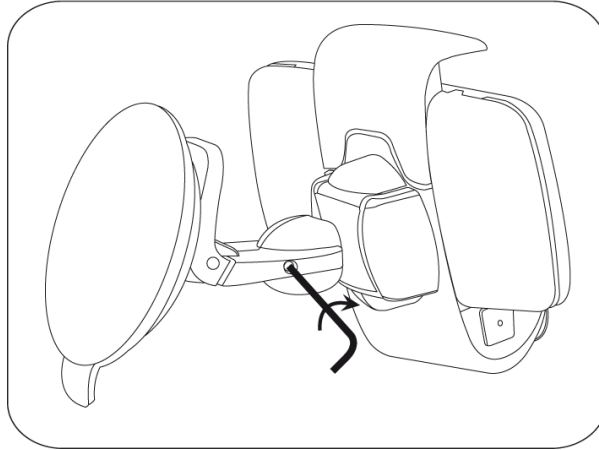
- Clean the area with an appropriate cleaning product then mount the cradle on the windscreen. To do so, press the suction cup against the windscreen and lift the locking lever until the mounting kit is correctly fixed.



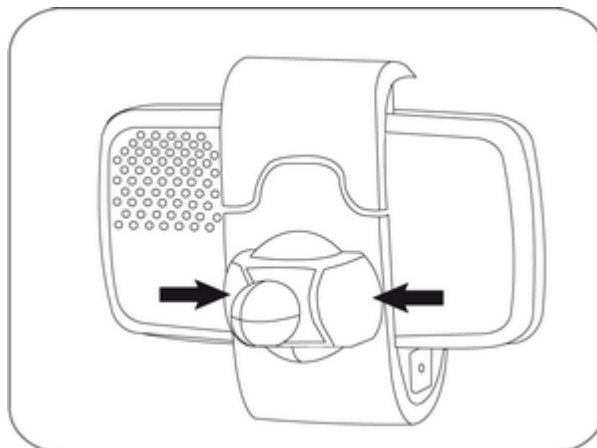
- The cooling and heating cycle inside your vehicle may cause the suction cup to detach from the windscreen. Make sure the suction cup is properly affixed to the windscreen each time you use the Parrot MINIKIT *Smart*. If it is not the case, the device may fall whilst driving. Reinstall the suction cup if necessary.
- Install the Parrot MINIKIT *Smart* on the mounting kit. Make sure that the Parrot MINIKIT *Smart* is correctly secured to the mount by checking the connection on both sides of the magnetic part.



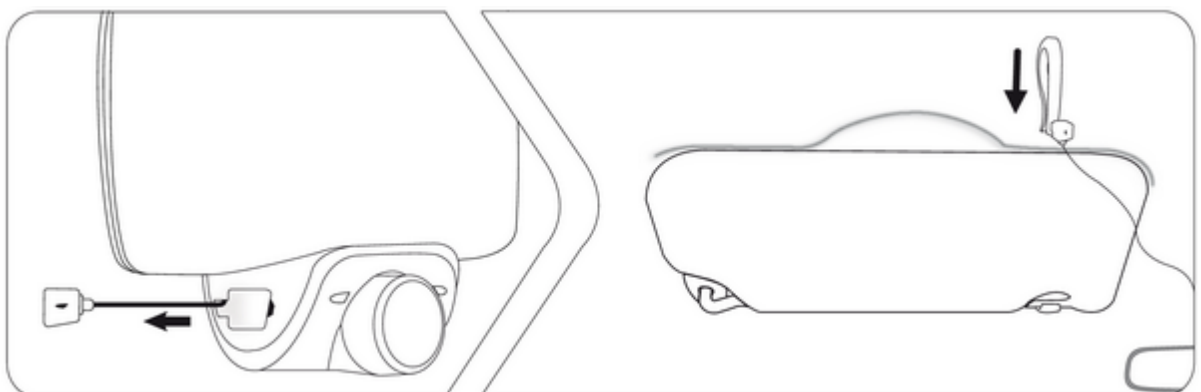
- In order to prevent the device from moving while driving, lock the mount in place using the included Allen wrench. Conversely, if you feel that the MINIKIT *Smart*'s magnets and its mount are inverted (repulsion rather than attraction), use the Allen wrench to unlock the mount's position and pivot its end.



- To release the Parrot MINIKIT *Smart*, press the release buttons on the cradle.



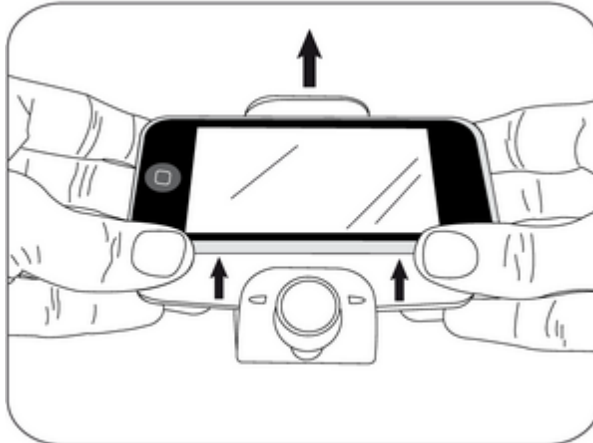
- Extract the microphone from the Parrot MINIKIT *Smart* and use the provided clips to install it on the sunvisor or on the dashboard.



Note: Removing the microphone is necessary in particular during highway driving or when the noise level is high. Under normal ambient noise conditions, you may leave it on the Parrot MINIKIT Smart.

Installing the phone

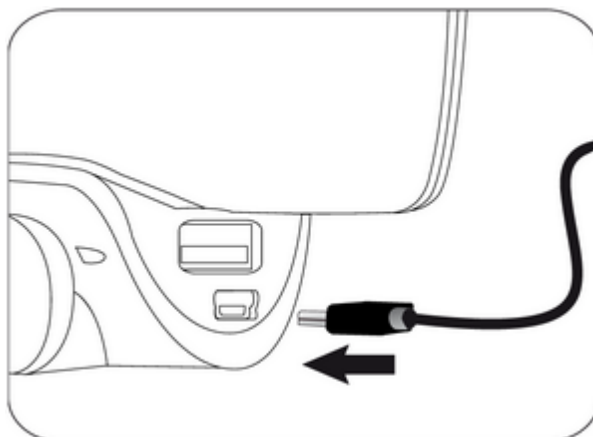
- Install your phone on the Parrot MINIKIT Smart by inserting its upper side first.



- If your phone supports the GPS feature, install it in an easily accessible and visible location.

Charging the Parrot MINIKIT Smart

- The Parrot MINIKIT Smart must be charged before being used for the first time. To do so, plug the charger into your vehicle's cigar lighter or connect the Parrot MINIKIT Smart to your computer using a USB/mini-USB cable.



- The LED located next to the mini-USB port turns on to indicate that the battery is being charged. The LED turns off once the Parrot MINIKIT Smart is fully charged. It takes around 2 hours to charge the Parrot MINIKIT Smart.

- When the battery level is low, the Parrot MINIKIT *Smart* emits a series of beeps. The Parrot MINIKIT *Smart* will turn off approximately 15 minutes later.

Charging the phone

- If your phone can be charged via USB, you can use the Parrot MINIKIT *Smart* to charge it (refer to your phone user manual for more information). Use the cable provided with your phone if necessary.

Note: The Parrot MINIKIT Smart USB port will also allow you to install the software updates of the kit.

- Charging your phone is only possible if the Parrot MINIKIT *Smart* is connected to the cigar lighter charger.

Getting started

Turning the Parrot MINIKIT Smart on / off

Hold down the red button for 3 seconds to turn on / off the Parrot MINIKIT *Smart*.

Accessing the Parrot MINIKIT Smart menu

- Press the jog wheel to access the main menu.
- Browse through the menus by turning the jog wheel and confirm with the green button or by pressing the jog wheel.
- To exit the menu, press the red button or wait for a few seconds.

Connecting a phone by Bluetooth

Checking the compatibility of a phone

Refer to the compatibility section of our website to check if your phone is compatible with the Parrot MINIKIT *Smart*.

Pairing a phone

Before using the Parrot MINIKIT *Smart* with your phone, you first have to pair both devices. The pairing process is only required once.

1. From your *Bluetooth*® phone, search for *Bluetooth* peripherals.
2. Select «Parrot MINIKIT *Smart*».
3. Enter the « 0000 » PIN code if prompted to do so.
 - > The Parrot MINIKIT *Smart* says « Pairing successful ».

Note: Pairing procedures for the most common phones are available on the compatibility section of our website.

Automatic connection

Once your phone is paired to the Parrot MINIKIT *Smart*, the connection between both devices will be automatically established each time you turn on the Parrot MINIKIT *Smart*. Depending on the model of your phone, you may have to authorize the connection to the Parrot MINIKIT *Smart* to allow the automatic connection.

*Note: If several phones paired with the Parrot MINIKIT *Smart* are in the vehicle, the Parrot MINIKIT *Smart* automatically connects itself to the last phone you used with it.*

Managing the “Memory full” problem

You can pair up to ten devices. If you attempt to pair an eleventh phone, the kit says «memory full». You must clear the memory by holding down both the red button and the jogwheel for three seconds. Doing so also clears all the contacts.

Synchronising the phonebook

Note: Only the contacts stored in the phone memory are synchronized. If your contacts are stored in the SIM card memory, transfer them into the phone memory.

- With some *Bluetooth* phones, the phonebook is automatically synchronized in the kit’s memory.
- If your phone doesn’t support automatic synchronization, you can also send contacts manually from your mobile to the car kit via *Bluetooth*. To do so, select **Receive contacts**. Refer to your phones’ user guide for more information about sending contacts (via Object Push).

Recording voice tags

- All your contacts, after automatic synchronization or Object Push process, are directly provided with a voice tag in the Parrot MINIKIT *Smart*. Consequently, you don’t have to record your own voice tag on each contact to make a call via the voice recognition process.
- However, if the Parrot MINIKIT *Smart* doesn’t understand the name of one of your contacts or if a voice tag is too long, you can record a new one. To do so, select **Add voice tags** and then select the contact and record your voice.

Phone

Receiving a call

An incoming call is indicated by a vocal message. The name of the caller is announced if his number is recorded in the phonebook of the phone connected to the Parrot MINIKIT *Smart*.

- If you want to answer the call, press the green button.
- If you want to refuse the call, press the red button.

Making a call

Making a call via voice recognition

1. To start the voice recognition feature, press the green button.
 - > The Parrot MINIKIT *Smart* asks you the name of the contact you want to call.
2. Say the name of the contact and the type of number («**Work**», «**Cellphone**»...) if there are several numbers associated to your contact.
 - > The call is automatically launched if the voice tag is correctly understood.
 - > If it is not the case, a confirmation message is asked by the kit. Confirm by saying «**Yes**» or «**Call**».

Note: At any time, press the red key to exit voice recognition mode.

Calling a contact with several phone numbers

If there are several phone numbers associated to the contact you want to call, you can specify the type of number. To do so, the following vocal commands are available:

- | | | | |
|-----------|----------------------|--------------------------------------|-------------|
| - Home | - Work | - Mobile / on mobile | - Other |
| - At home | - At work | - Cellular / on cellular | - General |
| | - Office / At office | - Cell / on cell | - Default |
| | - At the office | - Mobile phone / on mobile phone | - Preferred |
| | | - Cellular phone / on cellular phone | |
| | | - Cell phone / on cell phone | |

Calling a contact in the phonebook

If the contact you want to call is in the phonebook of the phone connected to the Parrot MINIKIT *Smart*:

1. Press the jog wheel to enter the main menu and select **Phonebook**.
2. Select a letter and press the jog wheel.
 - > Once the contact chosen:
 - Press the green button to call this contact.
 - Or use the jog wheel to choose between different numbers of the same contact.

Bringing up the last dialled number

Hold down the green key of the Parrot MINIKIT *Smart* for two seconds to redial the last dialled number.

Using the Parrot MINIKIT *Smart* while on a call

*Note: Navigation instructions are not played by the Parrot MINIKIT *Smart* during a call.*

Adjusting the volume

Use the jog wheel during a call to adjust the communication volume.

> The volume setting is saved for subsequent calls.

Transferring a call to the phone

- During a call, if you want to continue the conversation on your phone (private conversation), press the green button of the Parrot MINIKIT *Smart*.
 - > The call is automatically transferred to the phone.
- If you want to switch back to the kit, press the green button again.

Managing a second call

During a call, you can receive another call if your phone supports this functionality.

- Press the green button to accept the second incoming call.
 - > The first call is automatically put on hold.
- Press the red button to decline the second incoming call.
 - You can also hang up directly from your phone.
- Press the green button to switch from a call to another.

Managing voice mail

During a call, the Parrot MINIKIT *Smart* allows you to send DTMFs to manage your voice mail for example. To do so :

1. Press the jog wheel to access the DTMF menu.
 - > « 0 » is displayed by the kit.
2. Use the jog wheel to select your DTMF between the following possibilities : 0,1,2,3,4,5,6,7,8,9,# or *.
3. Press the jog wheel to send this DTMF to your phone.

Ending a call

Press the red button to end a call.

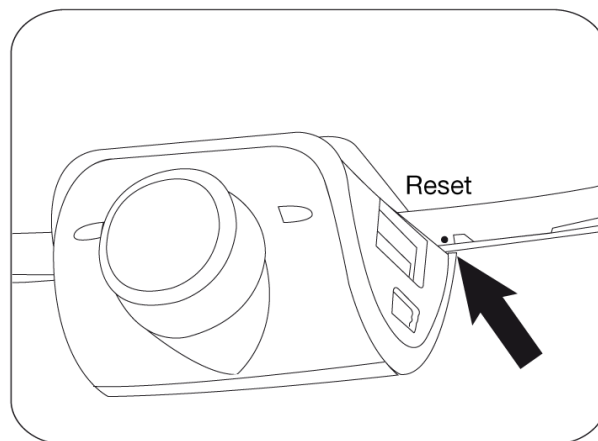
Troubleshooting

The kit says «Memory full»

You can pair up to ten devices. If you attempt to pair an eleventh phone, the kit says «memory full». You must clear the memory by holding down both the red button and the jogwheel for three seconds. Doing so also clears all the contacts.

The kit seems to be frozen

In case of malfunction, you can reboot the Parrot MINIKIT *Smart*. To do so, press the Reset button.



The kit does not seem to work with my phone

- Make sure your phone is compatible with the Parrot MINIKIT *Smart*. To do so, refer to the compatibility list of the Parrot MINIKIT *Smart* available on our website www.parrot.com, in the Support & Downloads section.
- If your phone is compatible with the Parrot MINIKIT *Smart*, make sure you have the latest software version on your Parrot MINIKIT *Smart*. This update and the update procedure are available on our website www.parrot.com, in the Support & Downloads section.

General information

Warranty

Without prejudice of legal warranty, Parrot products are warranted during 1 year from the date of purchase for defects in materials and workmanship, provided that no deterioration to the product has been made, and upon presentation of proof of purchase (date of purchase, location of sale and product serial number) to the retailer. Warranty does not cover: upgrading of the software items of the Parrot products with *Bluetooth* cell phones for compatibility purpose, data recovery, deterioration of the external aspect due to normal use of the product, any damage caused by accident, misuse, misapplication, or non-Parrot products. Parrot is not responsible for storage, loss or damaged to data during transit or repair. Any product wrongfully declared to be defective will be returned to sender and inspection, process and carriage costs will be invoiced to him.

Information relating to the battery and to the charger

Only use the cigar-lighter adaptable charger provided. Never use a damaged charger. Use only the provided USB cable with the cigar lighter charger.

Remember to charge the device before storing for a long period of time.

Do not leave your device in hot or cold areas (car in direct sunlight or parked in a garage in winter). Always store in area where temperatures remain stable.

The charger and the device can become hot during charging. Do not cover.

Do not disassemble the device. In the event of battery leakage, avoid contact of the liquid with skin and eyes. If contact occurs, rinse affected areas with plenty of water and contact a doctor.

If the battery is not used for a long period of time, its charge level diminishes of its own accord.

When the battery is entirely charged, disconnect it from the charger. Overcharge may reduce the battery's lifespan.

Do not leave the cigar-lighter adaptable charger connected when it is not in use.

Very low or very high temperatures may affect the battery charge capacity and battery lifespan.

You must dispose of your product in accordance with the laws and regulations in force. Since the device contains electronic components and a battery, it must not be disposed of with household waste. Contact your local authority to find out more about disposal options and recycling.

Correct disposal of This Product (Waste Electrical & Electronic Equipment)

This marking shown on the product or its literature, indicates that it should not be disposed with other household wastes at the end of its working life. To prevent possible harm to the environment or human health from uncontrolled waste disposal, please separate this from other types of wastes and recycle it responsibly to promote the sustainable reuse of material resources.

Household users should contact either the retailer where they purchased this product, or their local government office, for details of where and how they can take this item for environmentally safe recycling.

Business users should contract their supplier and the terms and conditions of the purchase contract. This product should not be mixed with other commercial wastes for disposal.

Modifications

The explanations and specifications in this guide are given for information purposes only and may be modified without prior notice. They are deemed to be correct at time of going to press. The utmost care has been taken when writing this guide, as part of the aim to provide you with accurate information. However, Parrot shall not be held responsible for any consequences arising from any errors or omissions in the guide, nor for any damage or accidental loss of data resulting directly or indirectly from the use of the information herein. Parrot reserves the right to amend or improve the product design or user guide without any restrictions and without any obligation to notify users. As part of our ongoing concern to upgrade and improve our products, the product that you have purchased may differ slightly from the model described in this guide. If so, a later version of this guide might be available in electronic format at Parrot's website at www.parrot.com.

FCC Compliance Statement

This device complies with part 15 of the FCC rules. Operation is subject to the following two conditions: (1). this device may not cause harmful interference, and (2). this device must accept any interference received, including interference that may cause undesired operation.

Note: The manufacturer is not responsible for any radio or tv interference caused by unauthorized modifications to this equipment. Such modifications could void the user's authority to operate the equipment.

FCC §15.105 statement: This equipment has been tested and found to comply with the limits for a Class B digital device, pursuant to part 15 of the FCC Rules. These limits are designed to provide reasonable protection against harmful interference in a residential installation.

This equipment generates, uses and can radiate radio frequency energy and, if not installed and used in accordance with the instructions, may cause harmful interference to radio communications. However, there is no guarantee that interference will not occur in a particular installation. If this equipment does cause harmful interference to radio or television reception, which can be determined by turning the equipment off and on, the user is encouraged to try to correct the interference by one or more of the following measures:

- Reorient or relocate the receiving antenna.
- Increase the separation between the equipment and receiver.
- Connect the equipment into an outlet on a circuit different from that to which the receiver is connected.
- Consult the dealer or an experienced radio/TV technician for help.

Canada Class B statement: This Class B digital apparatus complies with Canadian ICES-003

Declaration of Conformity



We, Parrot S.A. of 174 quai de Jemmapes, 75010 Paris, France, declare under our sole responsibility that our product, the Parrot MINIKIT *Smart* to which this declaration relates in conformity with appropriate standards EN300328, EN301489-17, EN60950 following the

provision of Radio Equipment and Telecommunication Equipment directive (1999/5/EC R&TTE), with requirements covering EMC directive 2004/108/EC, Low Voltage directive 73/23/EEC and automotive directive 72/245/EEC amended by 2006/28/EC directive.

Identification N. 394 149 496 R.C.S. PARIS - Parrot S.A.

Copyrights

Copyright © 2010 Parrot.

Licences

The Bluetooth word mark and logos are owned by the Bluetooth SIG, Inc. and any use of such marks by Parrot S.A. is under license.

Bluetooth QDID : B016898, B013838, B012423

Parrot, Parrot Minikit and the Parrot logo are registered trademarks of PARROT SA.

Other trademarks and trade names are those of their respective owners.