

Desired Action → Action → Remote Response → Main Unit Response

	Button	Remote control unit LED lights display	Main unit LED lights display
<b>1</b> Start (turn on main unit)		✗	
<b>2</b> Turn on remote control unit			✗
<b>3</b> Arm (Enable security system)			
Alarm Options	High sensitivity setup		
	Low sensitivity setup		
	Panic		
	Disable panic	✗	✗
	Remote control mute	Mute will hold for 1 minute only	✗
<b>4</b> Disarm (Disable system)			
<b>5</b> Off (Turn off unit)	Hold		

Attention: Turn OFF both units from remote control unit to prolong battery life.

**Toggle high to low sensitivity** by pressing button while main unit is armed.

Note: High sensitivity alarm is standard. Low sensitivity is optional.

### Buzzer Instructions

### Symptom

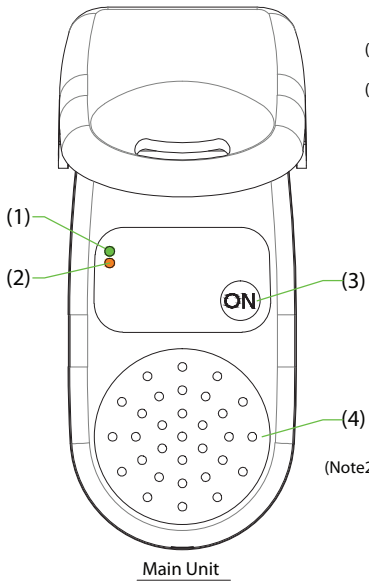
Remote control unit LED light display	Main unit LED lights display	Means
Slow blinking +  Slow buzzing	✗	Weak signal warning
Fast blinking +  Fast buzzing	✗	Disconnect warning
...continuously 10 seconds	...continuously 10 seconds	Low battery warning (alerts owner only after unit is turned on)



# Alarm System User's Manual

# CycleChimp Alarm Reference Guide

CycleChimp alarm contains the alarm main unit and the remote controller.



Main Unit

## (1) Indicator light(Green) :

(Note1) Slow flash: System is starting/ready.

(Note1) Quick flash: Low power indication.

## (2) Indicator light (Yellow)

Permanent light : Vibration warning.

Twinkle: The system is starting.

Slow flash: System is armed.

## (3) Start key:

Press start key when you reinstall the battery or starting by remote controller.

(Note2) (4) The warning loudspeaker connected.

High decibel short sound or continual warning sound .

Note1 : Quick flash: Approximately 1 second; Slow flash: approximately 3 seconds.  
Note2 : The loudspeaker will make the continual warning sound for 25 seconds and stop for 5 seconds, then it will repeat six times for 3 minutes.

## (5) Indicator light(Green):

Slow flash: System is starting/ready.

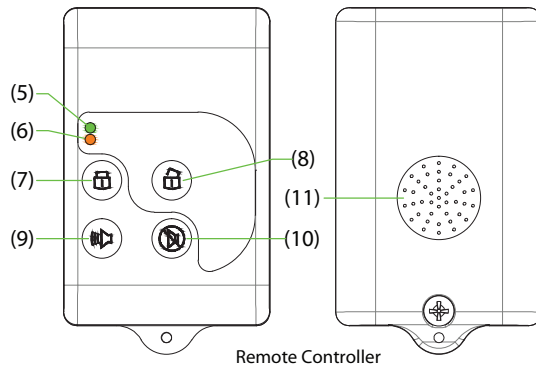
Quick flash: Low power warning indicator.

## (6) Alarm light (Yellow)

Permanent light: Vibration warning.

Twinkle: The system is establishing.

Slow flash : The system is armed.



Remote Controller

(7) Lock button: Used for starting, activating, and adjusting the sensitivity of alarm.

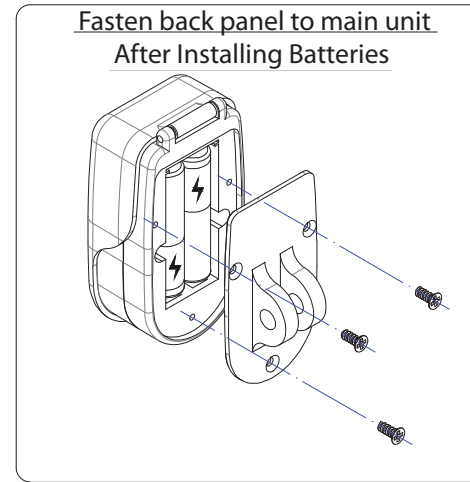
(8) Unlock button: Deactivates alarm, Turns off unit.

(9) Speaker button: Finds vehicle location, deactivates vehicle location.

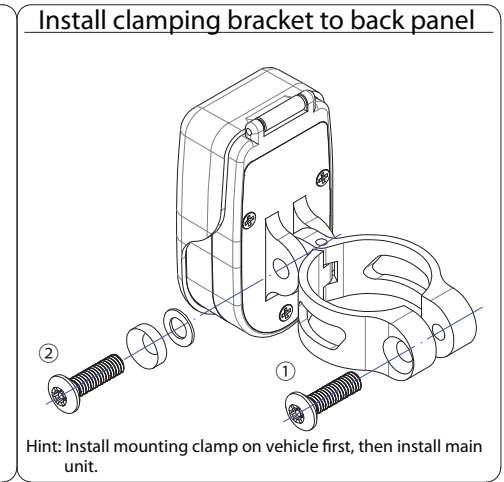
(10) Mute button: Mutes alarm.

# Installation

(1) Install back panel to alarm main unit.



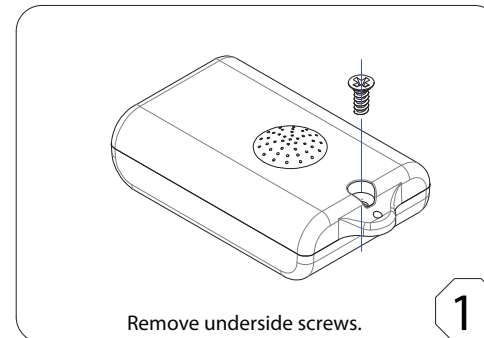
Fasten back panel to main unit After Installing Batteries



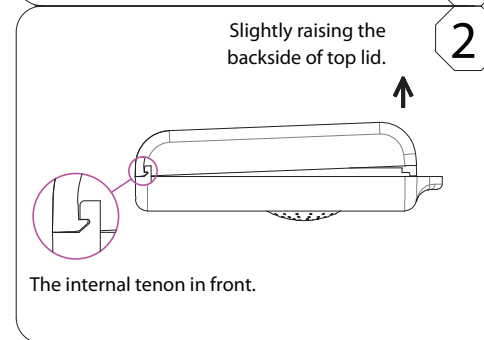
Install clamping bracket to back panel

Hint: Install mounting clamp on vehicle first, then install main unit.

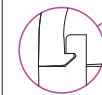
(2) Installing battery



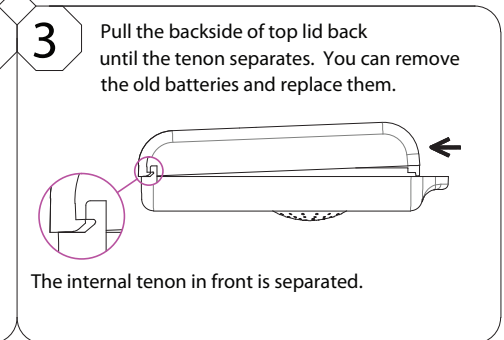
Remove underside screws.



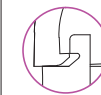
Slightly raising the backside of top lid.



The internal tenon in front.



Pull the backside of top lid back until the tenon separates. You can remove the old batteries and replace them.



The internal tenon in front is separated.

**Attention:**

- We suggest you use the AAA alkaline battery or heavy duty battery. Please do not use the rechargeable batteries.
- Carrying remote control in your pocket could effect the range of transmission.
- Useable Range - 250 ft. under ideal conditions (fresh batteries, clear sight line to alarm unit). Signal Interference (walls, power lines, pockets, buffalo) will adversely affect reception and signal range.