

DUNAVOX

INSTRUCTION MANUAL COMPRESSOR WINE COOLER


This manual contains important information including safety and installation instructions of the appliances. Please read it carefully before use and follow all safety information & instructions. It is recommended to keep this manual for easy reference so that you can be familiar with the operation of the appliance.

CONTENTS

IMPORTANT SAFETY INFORMATION.....	2
STURCTURE AND INSTALLATION DRAWING	3
ACCESSORY INSTALLATION BEFORE OPERATING	8
OPERATING THE WINE COOLER.....	9
CARE AND MAINTENANCE.....	13
TROUBLESHOOTING.....	15
REVERSE THE DOOR SWING.....	16

IMPORTANT SAFETY INFORMATION

Before use the appliance, please properly position and install it as described in this manual. To avoid the risk of fire, electrical shock, or injury when using the appliance, follow these basic precautions:

- The appliance is intended to be used exclusively for the storage of wine.
- Make sure the voltage/current marked on the rating label corresponds with your supply voltage. Plug into a grounded 3-pin outlet, do not remove grounding pin, do not use an adapter, and do not use an extension cord.
- It is recommended that a separate circuit, serving only your appliance be provided.
- Never clean the appliance parts with flammable fluids which may create a fire hazard or explosion. And do not store or use gasoline or other flammable vapors and liquids in the vicinity of the appliance.
- Do not connect or disconnect the electric plug when your hands are wet.
- Unplug the appliance or disconnect power before cleaning, maintenance or servicing. Failure to do so can result in electrical shock or death.
- Do not attempt to repair or replace any part of the appliance unless it is specifically recommended in this material. All other servicing should be referred to a qualified technician.
- Ensure enough peoples to move and install the appliance to avoid any damage to the appliance or injury to the peoples.
- To ensure proper ventilation for the appliance, the front of the unit must be completely unobstructed.
- Locate the unit away from direct sunlight and sources of heat (stove, heater, radiator, etc.).
- The fuse (or circuit breaker) size should be 10 amps or higher.
- It is important for the appliance to be leveled in order to work properly. You may adjust the appliance's feet to level it.
- This appliance is not intended for use by young children. Never allow children to operate, play with or crawl inside the appliance.
- Do not use solvent-based cleaning agents or abrasives on the interior. These cleaners may damage or discolor the interior.
- Do not use this appliance for other than its intended purpose.
- The use of attachments not recommended by the manufacturer may be hazardous.
- When you dispose the appliance, take off the door and leave the shelves in place so that children may not easily climb inside. And make sure the coolant circuit, particularly the heat exchanger at the back/bottom of the unit not be damaged. The  symbol on the product or its packaging indicates that this product is not to be handled as normal household waste and it is to be taken to a recycling collection point for electrical and electronic goods.

STRUCTURE AND INSTALLATION DRAWING

The following pictures only show the structure of the appliance as well as the installation drawing. The dimension and shelf quantity may differ among the models of the same series.

BUILT-UNDER SERIES (Built under a kitchen table top)

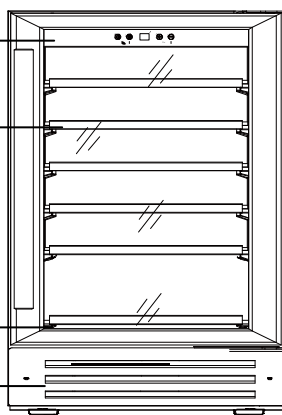
Single Zone Structure

Touch-key Control Panel & Digital Display

Deep Shelf

Shallow Shelf

Front Louver



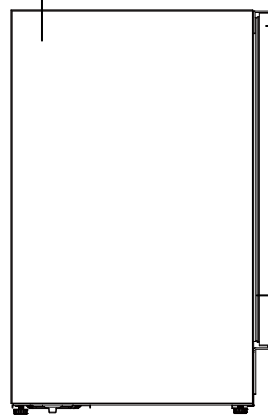
Outside Cabinet

Door

Handle

Gasket

Leveling Foot



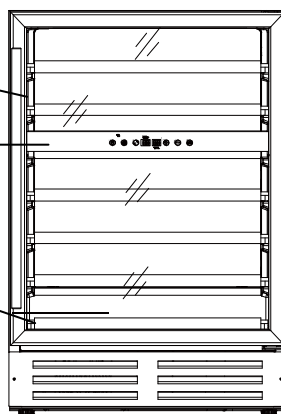
Dual Zones Structure

Touch-key Control Panel & Digital Display

Deep Shelf

Shallow Shelf

Front Louver



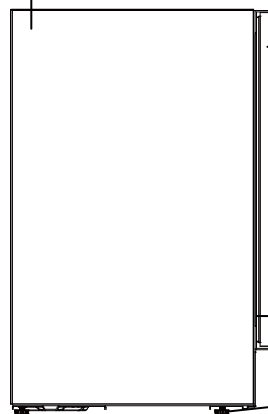
Outside Cabinet

Door

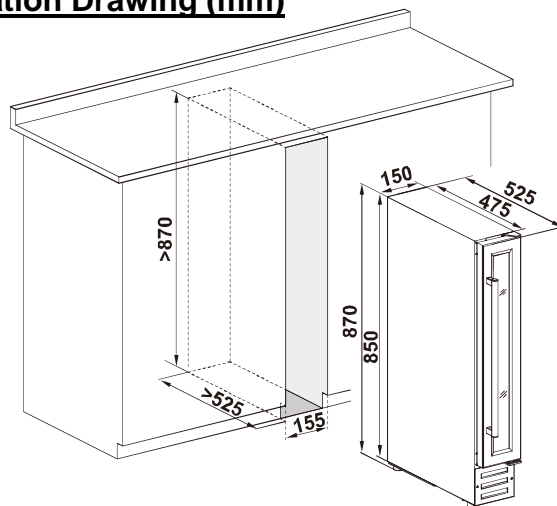
Handle

Gasket

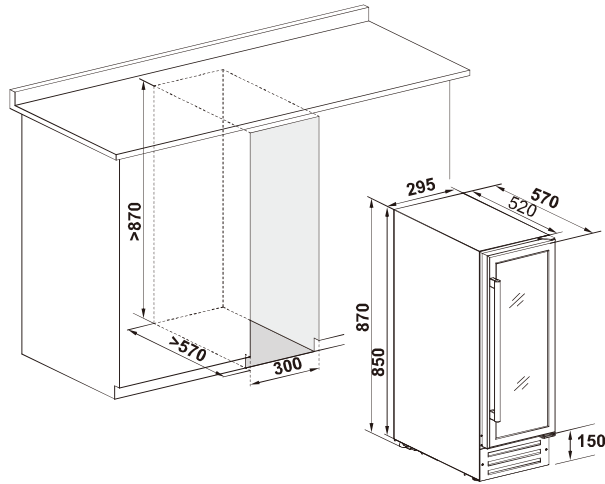
Leveling Foot



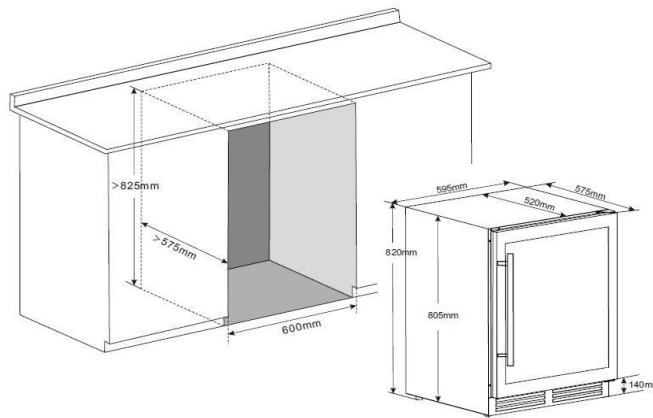
DX-7.22BK/SK Installation Drawing (mm)



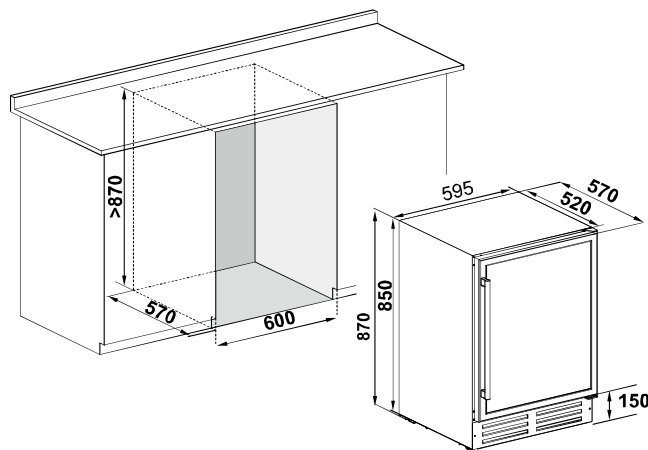
DX-19.58BK/SK Installation Drawing (mm)



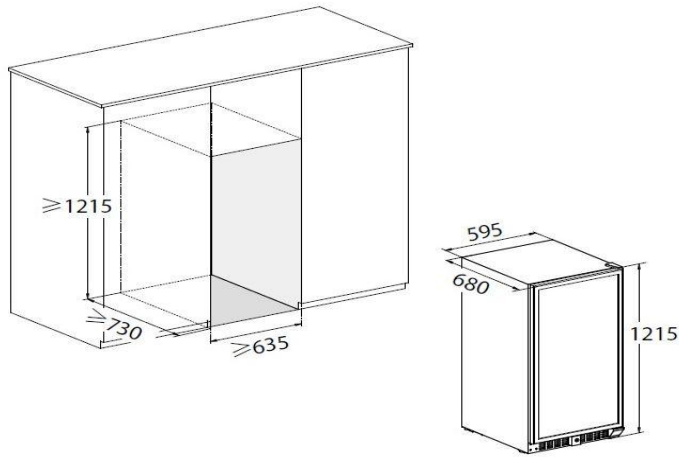
DX-51.150DBK/DSK Installation Drawing (mm)



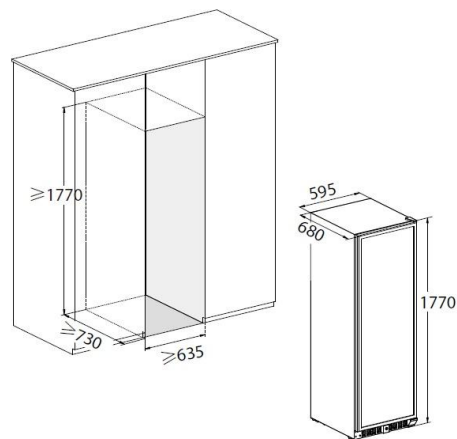
DX-46.145DBK/DSK Installation Drawing (mm)



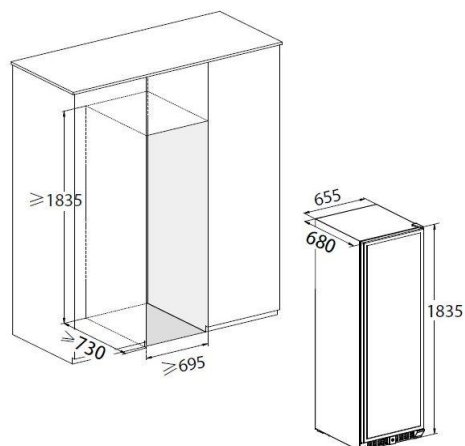
DX-94.270DBK/DSK Installation Drawing (mm)



DX-166.428DBK/DSK Installation Drawing (mm)

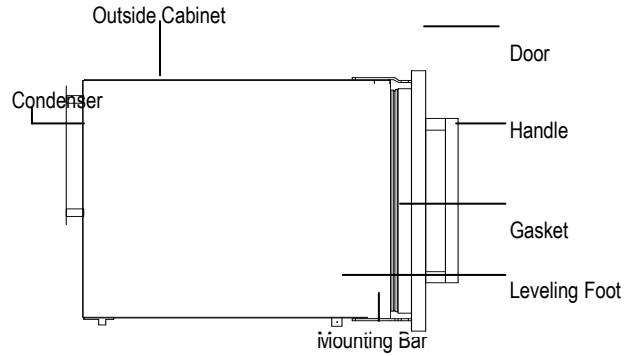
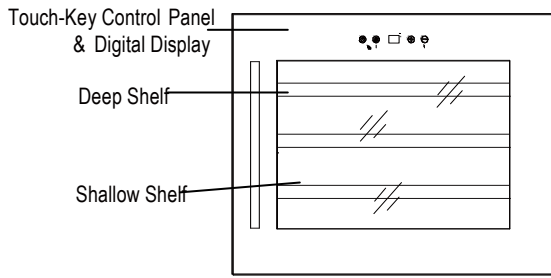


DX-181.490DBK/DSK Installation Drawing (mm)

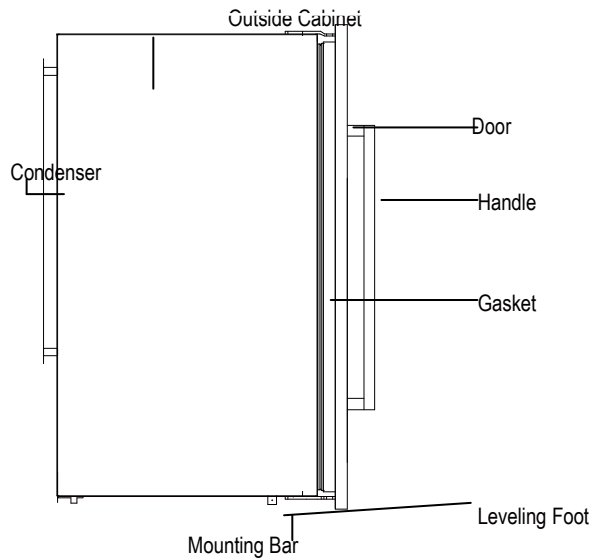
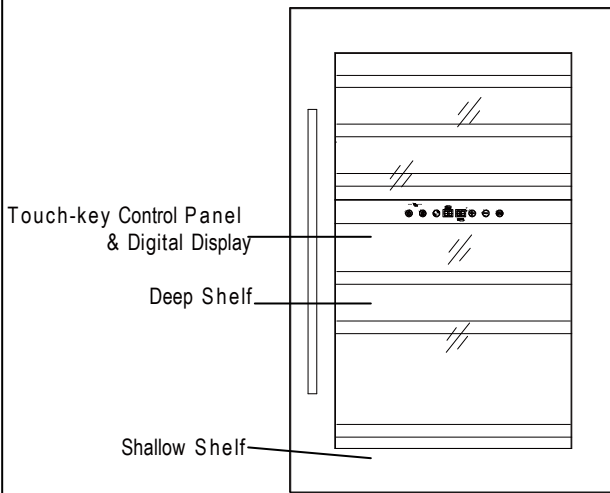


BUILT-IN-COLUMN SERIES (Built into a kitchen cabinet)

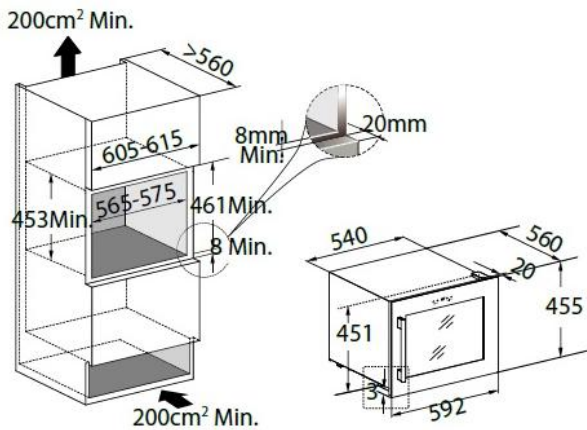
DX-24.56BBK/BSK Structure



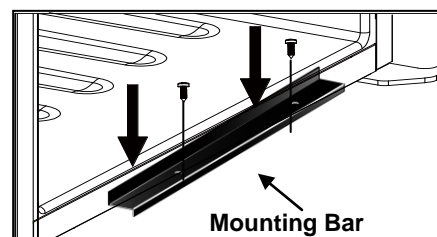
DX-41.130BBK/BSK Structure



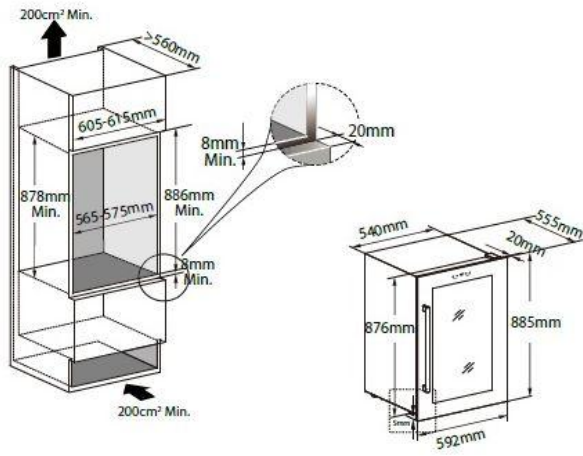
DX-24.56BBK/BSK Installation Drawing



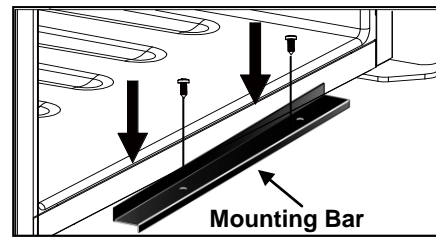
1. Before inserting the unit into the kitchen cabinet, please unscrew the original 4 leveling feet (in white), and screw the 2 short leveling feet (in black), which are packed as the accessory, to the front bottom of the unit.
2. Tighten the 2 screws to fix the **mounting bar** (which has been fixed on the bottom of the unit) to the kitchen cabinet. See below drawing.



DX-41.130BBK/BSK Installation Drawing

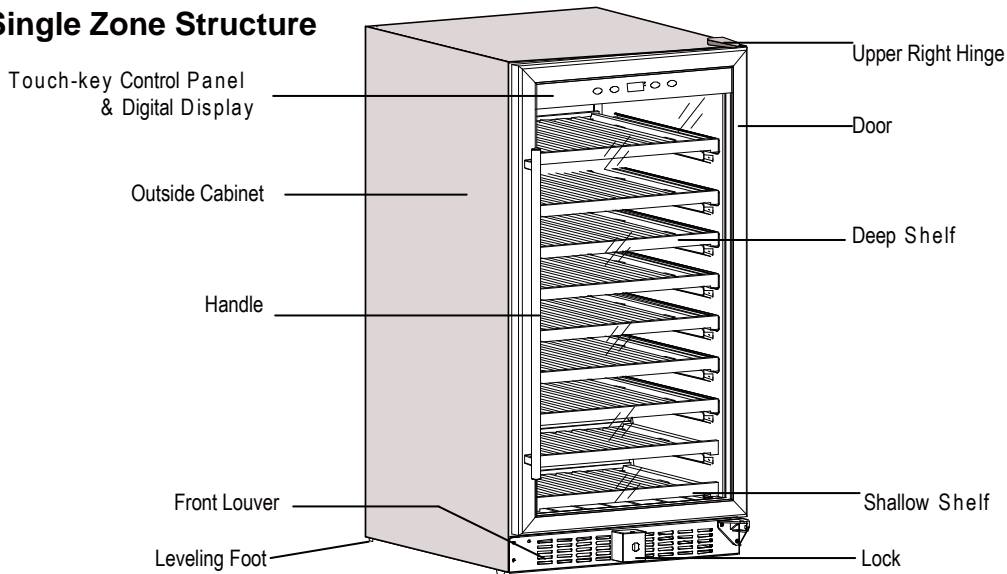


1. Before inserting the unit into the kitchen cabinet, please unscrew the original 4 leveling feet (in white), and screw the 2 short leveling feet (in black), which are packed as the accessory, to the front bottom of the unit.
2. Tighten the 2 screws to fix the **mounting bar** (which has been fixed on the bottom of the unit) to the kitchen cabinet. See below drawing.

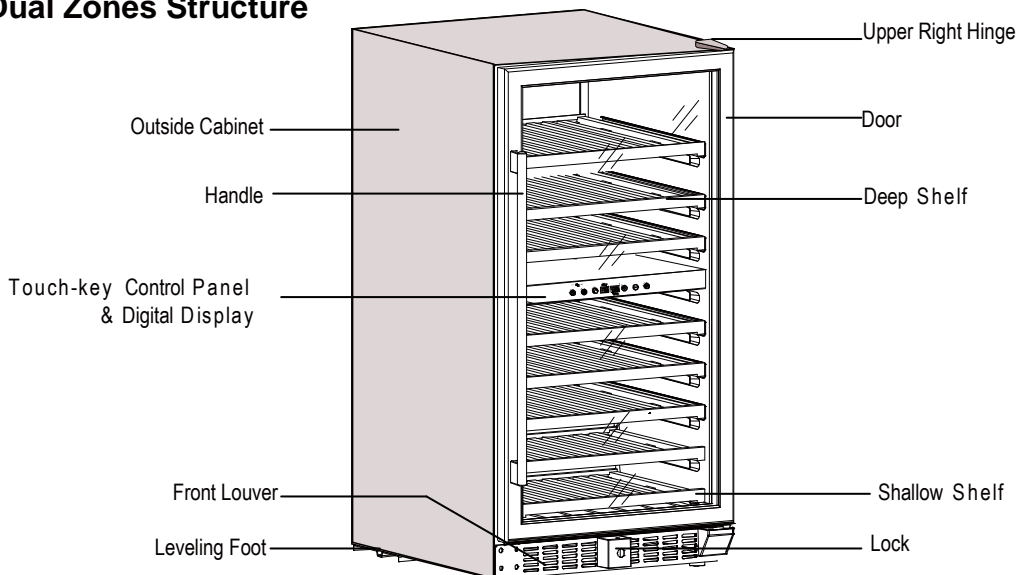


FLOOR-STANDING SERIES

Single Zone Structure



Dual Zones Structure



ACCESSORY INSTALLATION BEFORE OPERATING

UNPACKING AND CLEANING THE WINE COOLER

- Remove the exterior and interior packing materials.
- Let the appliance stand upright for approximately 2 hours before connecting it to the power source, which helps to reduce the possibility of a cooling-system malfunction from handling during transportation.
- Use a soft cloth to clean the interior surface with lukewarm water.
- Install the door handle provided with the appliance by following these steps:

1st step

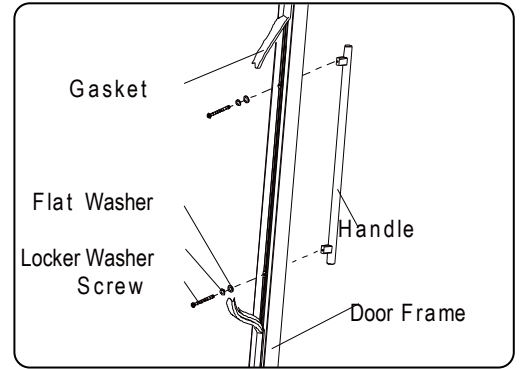
Remove the gasket at the inner side of the door to expose the two screw holes.

2nd step

Install the handle tightly with the screws and washers provided.

3rd step

Tidy and restore the gasket.



LOCK & UNLOCK THE DOOR (FOR OPTION)

- Lock is an optional function. If your Wine Cooler has such function, a key should be attached inside the packing of this Manual.
- Insert the key into the lock and turn it counter-clockwise to unlock the door. To lock it, please follow the reversed operation. Please save the key well.

OPERATING THE WINE COOLER

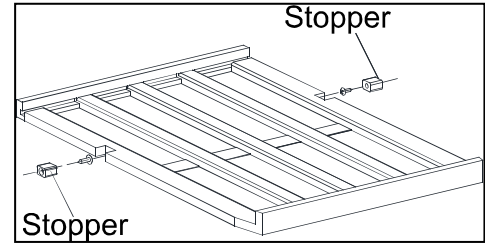
WORKING CLIMATE

- The appliance is designed for operating from SN to T climate (see below climate class chart). It is recommended to maintain the ambient around 22-25°C which helps the appliance working with low power consumption.
- If the ambient temperature is above or below the designed climate range, the performance of the unit may be affected. For example, the appliance operating in extreme cold or hot conditions may cause interior temperatures to fluctuate, and the temperature set 5-22°C may not be reached sometimes.

Climate Class	Ambient Temp.
SN	10 - 32 °C
N	16 - 32 °C
ST	18 - 38 °C
T	18 - 43 °C

WINE STORAGE

- The standard shelves are designed perfectly for Bordeaux bottle storage. The maximum loaded bottles may vary subject to the different size or dimension of the wine bottles you store, as well as the shelves quantity preinstalled in the Wine Cooler.
- There are two designs for the pull-out shelves:
 1. The shelves are without telescopic rails, but with a plastic stopper on each sides of the shelf track to prevent bottles from falling. See **the right figure**.
 2. The shelves are with telescopic rails which has stoppers by themselves.
- To prevent damaging the door gasket, make sure to have the door opened fully all the way before pulling the shelves out.
- Please store wine in sealed bottles.
- Should the wine cooler be left empty for long periods it is suggested that the appliance is unplugged, and after careful cleaning, leave the door ajar to allow air to circulate inside the cabinet in order to avoid possible condensation, mold or odours forming.
- Recommended Temperatures for chilling/storage your wines.

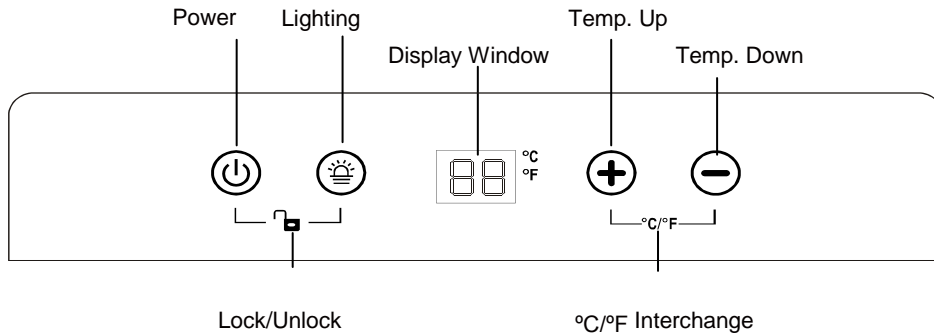


Red Wines	15 - 18° C
Dry/White Wines	9 - 14° C
Rose Wines	10 - 11° C
Sparkling Wines	5 - 8° C

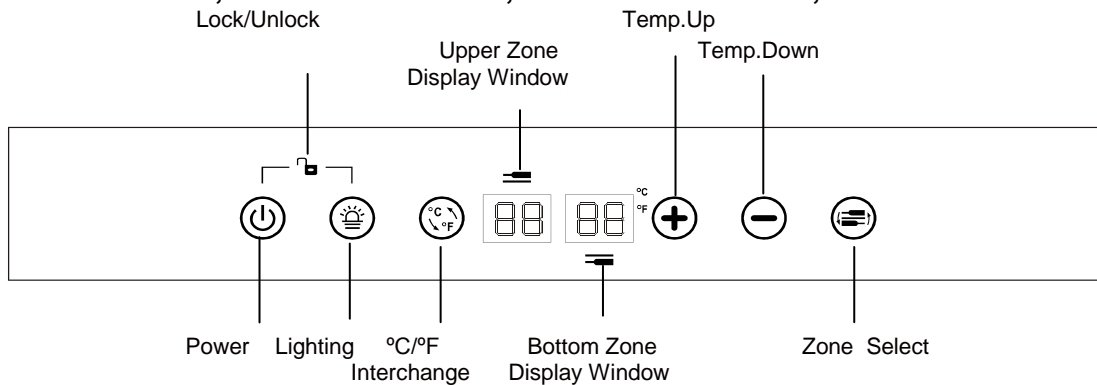
OPERATING

CONTROL PANEL

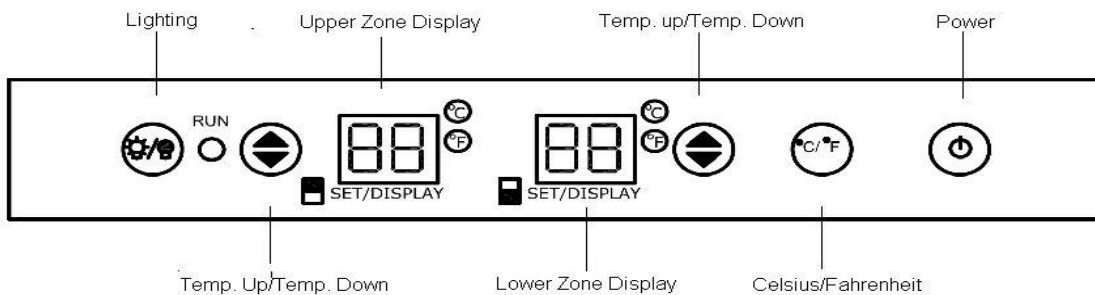
DX-7.22BK/SK, DX-19.58BK/SK





DX-46.146DBK/DSK, DX-94.270DBK/DSK, DX-166.428DBK/DSK, DX-181.490DBK/DSK



DX-51.150DBK/DSK





POWER ON/OFF CONTROL

- When the appliance is plugged in to a power outlet, it powers on automatically.
- Touch the power mark  and hold for 10 seconds to turn off (or turn on) the appliance.
- No matter it is under a locked or unlocked situation, you can turn off the appliance by touching the power mark  and holding for 10 seconds.


Warning:

To avoid breaking the compressor, please do not turn on the appliance again within **5 Minutes** after you turn it off.

UNLOCKING THE CONTROL PANEL







- To unlock the control panel, touch the power mark and lighting mark   with 2 fingers at the same time and hold for 3 seconds . When unlocked a buzz sound will be heard.
- The control panel will be automatically locked with a buzz sound heard after 10 seconds without being touched.
- Under the locked situation, the control panel will not react to any touching (except the power mark which works as above Power On/Off Control description).

INTERIOR LIGHTING ON/OFF CONTROL








- Under the unlocked situation, touch the lighting mark  to turn on (or turn off) the interior cool LED lighting.
- The lighting will be continuously on if it is not turned off.

TEMPERATURE SETTING

For Single Zone

- The temperature setting range is 5-22 °C (41-72 °F).
- Directly touch the mark  or  to set the Wine Cooler temperature as you want.
- The first touch on mark  or  will recall the previous set temperature displayed in the digital window. If the appliance runs after a power failure (or unplugging), the previous set temperature does not exist and is replaced by the default temperature at 12°C.
- Touch the mark  to increase the set temperature by 1 °C. On the contrary, touch the mark  to decrease the set temperature by 1 °C.
- The digital will change to display the real temperature of the inside cabinet after 10 seconds without being touched.

For Dual Zones

- The temperature setting ranges are 5-12 °C (41-54 °F) for the upper zone and 12-22 °C (54-72 °F) for the bottom zone.
- You need to select the set zone by touching the mark  before touching the mark  or  to set the wanted temperature. The display window with digital flashing indicates the zone ready for temperature setting.
- The first touch on mark  or  will recall the previous set temperature displayed in the digital window. If the appliance runs after a power failure (or unplugging), the previous set temperature does not exist and is replaced by the default temperature at 10 °C for the upper zone while 16 °C for the bottom zone.
- Touch the  mark to increase the set temperature by 1 °C. On the contrary, touch the  mark to decrease the set temperature by 1 °C.
- The digital will change to display the real temperature of the inside cabinet after 10 seconds without being touched.

Notice:

For the first time to use the appliance or to restart the appliance after having been shut off for a long time, you may find a few degrees variance between the set temperature and the displayed temperature. It is normal and everything of the appliance will be in the order after a few hours running.



TEMPERATURE DISPLAY WINDOW

- The temperature is displayed in digital which is the best way to be read out. The digital is shown as the set temperature when you are setting the temperature, and it will change to be the real temperature of the inside cabinet after 10 seconds without being touched.
- When the temperature probe is out of order, the display window will show with “HH” or “LL” instead of a digital figure while continuous buzz sound will be heard. In case of this happens, this appliance is considerably designed to keep periodical running of compressor and fans which helps to keep the coldness of the inside cabinet to protect your stored wines.


**Warning:**

To avoid destroying your stored wines, it is strongly recommended to have the appliance repaired immediately, as the spare periodical running can not ensure the appliance to achieve the temperature you have set.

SELECTING FAHRENHEIT(°F) & CELSIUS (°C)**For Single Zone**

Touch the   marks with 2 fingers at the same time and hold for 5 seconds, you can interchange the Fahrenheit (°F) and Celsius display (°C).

For Dual Zones

Just touch the  mark, you can interchange the Fahrenheit (°F) and Celsius (°C) display for both zones at the same time.

CARE AND MAINTENANCE**CLEANING THE WINE COOLER**

- Turn off the power, unplug the appliance, and remove all items including shelves.
- Wipe the inside surfaces with a sponge and baking soda solution. The solution should be about 2 tablespoons of baking soda to a quart (approx. 1 litre) of warm water.
- Wash the shelves with a mild detergent solution. Allow wooden shelves to dry before placing back into the wine cooler.
- Wring excess water out of the sponge or cloth when cleaning area of the controls, or any electrical parts.
- Wipe the outside cabinet with warm water and mild liquid detergent. Dry with a clean soft cloth.
- Do not use steel wool or steel brush on the stainless steel. These will contaminate the stainless steel with steel particles and rusting may occur.

POWER FAILURE

Most power failures are corrected within a few hours and should not affect the temperature of your appliance if you minimize the number of times of door opening. If the power is going to be off for a longer period of time, you need to take the proper steps to protect your contents.

MOVING THE WINE COOLER

- Remove all items.
- Securely tape down all loose items (shelves) inside your appliance.
- Turn the adjustable leg up to the base to avoid damage.
- Tape the door shut.
- Be sure the appliance stays secure in the upright position during transportation. Also protect outside of appliance with a blanket, or similar item.

ENERGY SAVING TIPS

- The appliance should be located away from heat producing appliances, and away from direct sunlight.
- Ensure that the unit is adequately ventilated. Never cover air vents.
- Only open the door when necessary. Avoid leaving the door open for long periods or opening/closing the door frequently.

TROUBLESHOOTING

If you feel the appliance is out of order, follow these instructions to try to see if you can solve the problem simply by yourself before calling for service.

PROBLEM	POSSIBLE CAUSE/MEASURE
The Wine Cooler does not operate	Not plugged in. The appliance is turned off. The circuit breaker tripped or a blown fuse.
The Wine Cooler is not cold enough	Check the temperature control setting. External environment may require a higher setting. The door is opened too frequently. The door is not closed completely. The door gasket does not seal properly.
Automatically turn-on and turn-off frequently	The room temperature is hotter than normal. A large amount of contents has been added to the Wine Cooler. The door is opened too frequently. The door is not closed completely. The temperature control is not set correctly. The door gasket does not seal properly.
The lighting does not work	Not plugged in. The circuit breaker tripped or a blown fuse. The lighting is turned off.
Too much vibration	Check to assure that the appliance is level. Check to assure no parts inside the cabinet or in the compressor chamber are loose.
The Wine Cooler seems to make too much noise	The rattling noise may come from the flow of the refrigerant, which is normal. As each cycle ends, you may hear gurgling sounds caused by the flow of refrigerant. Contraction and expansion of the inside walls may cause popping and crackling noises. The appliance is not level.
The door will not close properly.	The wine COOLER is not level. The door was reversed and not properly installed. The gasket is dirty. The shelves are out of position.
The display window is shown with "HH" or "LL" instead of a digital figure, and/or with continuous buzz sound.	The temperature probe is out of order.

REVERSE THE DOOR SWING

FOR BUILT-UNDER SERIES

Remarks:

- Reversible door swing function is only available for a unit with 870 mm height, and with control panel inside the cabinet.
- The instruction is based on a unit with right door hinge installed already.
- To reserve the door from right hinge to left hinge, you need to get ready 2 new spare parts: an upper left hinge, and a bottom left hinge.
- All removed parts must be saved to do the door reinstallation, except those remarked with "Disused".

1st step Open the door, and loosen the 2 screws ① and ②. See **Figure 1**.

2nd step Carefully remove the door from the upper right hinge ④ and prevent it from scratching. Take out the support rod ③ from the door hinge hole. See **Figure 2**.

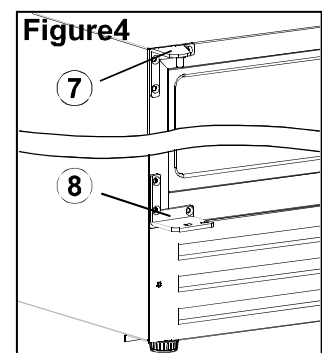
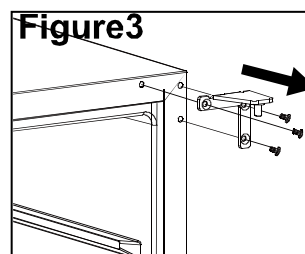
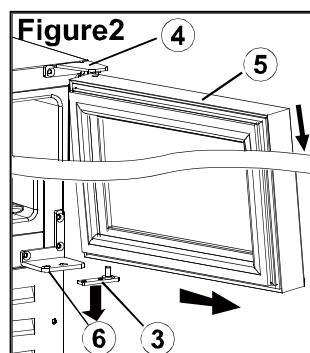
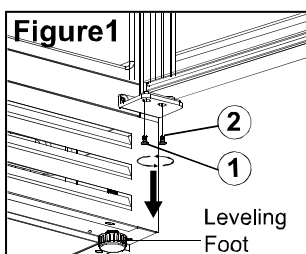
3rd step Pull out the 6 decorating plastic bolts covering the reserved hinge screw holes at the front left corner of the cabinet.

4th step Unscrew the upper right hinge ○,4 (Disused) and bottom left hinge ○,6 (Disused) from the cabinet. See **Figure 3**.

Install the upper left hinge ○,7 and bottom left hinge ○,8 to the left side of the cabinet. Make sure the screws are tightened. See **Figure 4**.

5th step Put upside down the door and install it to the left hinges by following the opposite steps of taking down of the door as described above.

6th step Cover the hinge screw holes on the right side with the 6 decorating plastic bolts.



FOR BUILT-IN-COLUMN SERIES

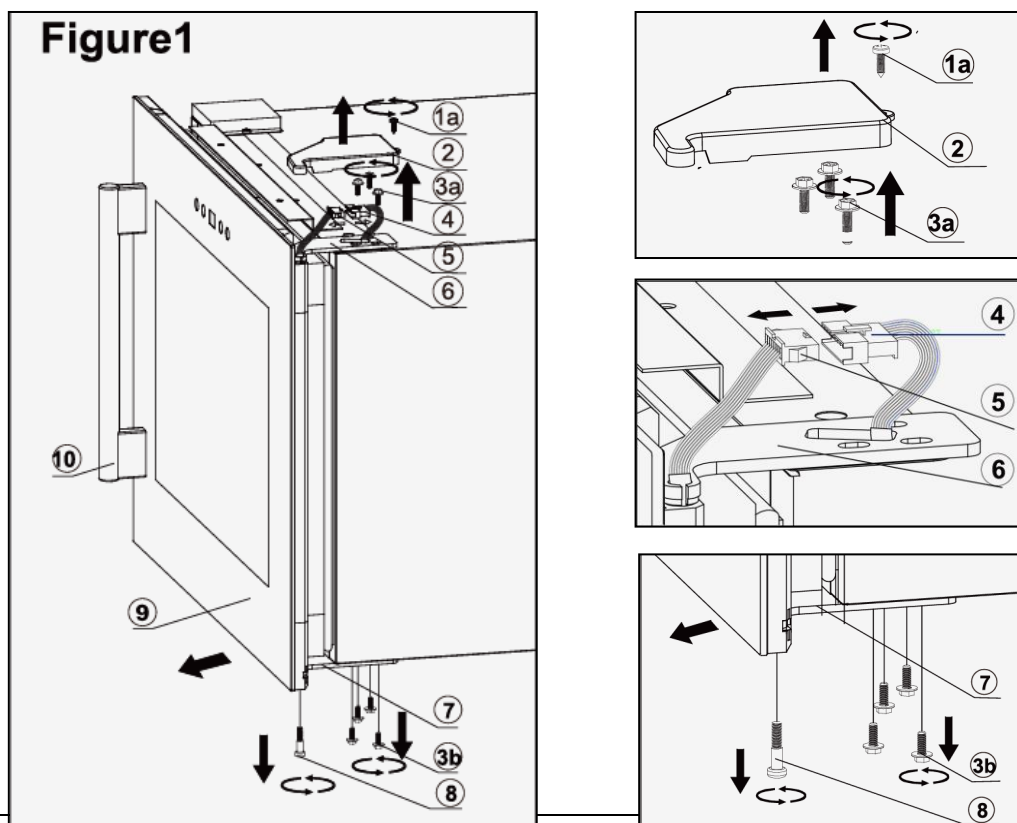
For models produced in 2011 only. For 2012 model DX-24.56 has right and left hand version (non reversible). For DX-41.130 the Built-under model instruction applies.

Remarks:

- Reversible door swing function is only available for a unit with 4 handle screw holes reserved on the front door (2 at the left side and 2 at the left side).
- The instruction is only suitable for a unit with control panel on the door.
- The instruction is based on a unit with right door hinge installed already.
- To reserve the door from right hinge to left hinge, you need to get ready 3 new spare parts: upper left hinge, upper left hinge cover, right door corner cover.
- All removed parts must be saved to do the door reinstallation, except those remarked with "Disused".

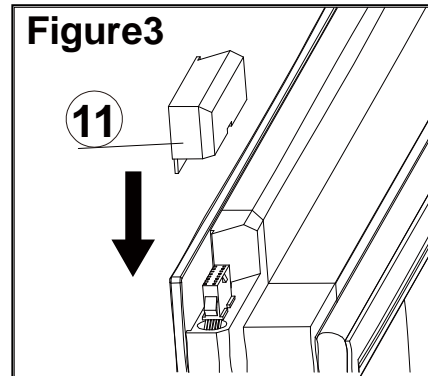
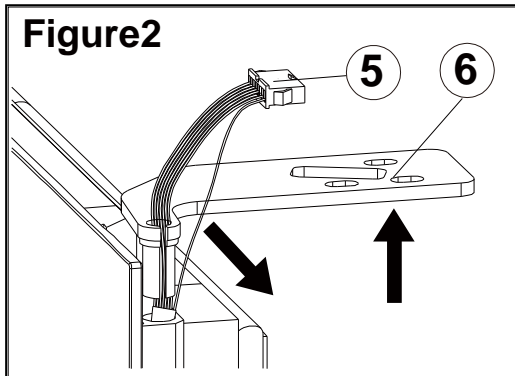
1st step Takedown the Door. See Figure 1.

1. Loosen the 2 screws ①,1a with a cross screwdriver, and take out the upper right hinge cover (Disused). There are two wiring harnesses ④,4 & ⑤,5 with their terminals connected together.
2. Disconnect the two wiring harnesses, and loosen the 3 screws ③,3a to take out the upper right hinge.
3. Loosen the 4 screws ③,3b & the 1 screw ⑧,8 to take out the bottom hinge.
4. Carefully take the whole door out.



2nd step Tidy the Door.

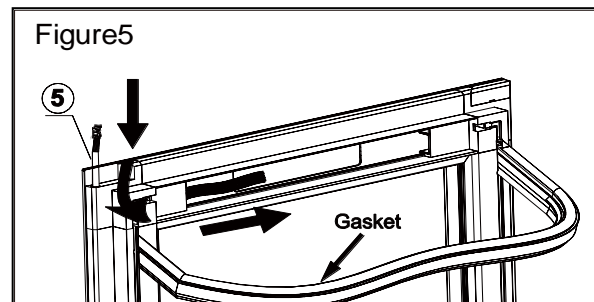
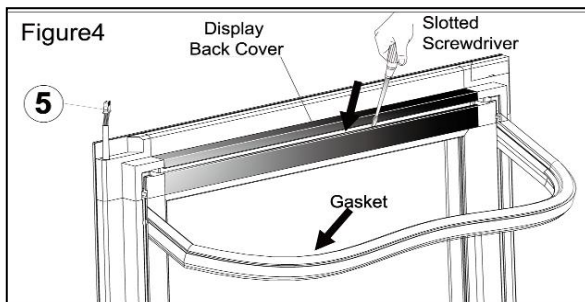
1. Pull the harness wires one by one out of the upper right hinge hole through its gap, and remove the upper right hinge (Disused). See **Figure 2**.
2. Tidy the harness and carefully push back it into the door frame, and cover it with the right door corner cover 11. See **Figure 3**.



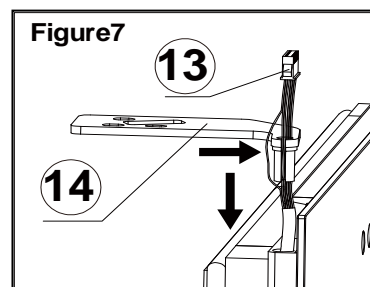
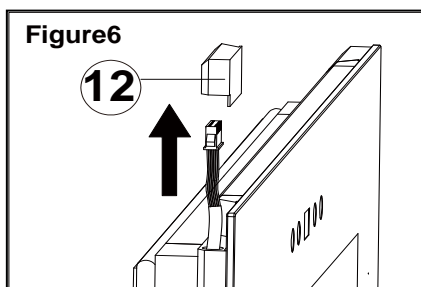
Remarks:

If it is difficult to push back the harness into the door frame, please follow the steps in **Figure 4 & 5**.

- (1) Remove the gasket at the upper inner side of the door to expose the display back cover.
- (2) Carefully prize up the back cover by a straight screwdriver. Then slowly draw the harness into the door frame and tidy the gasket.

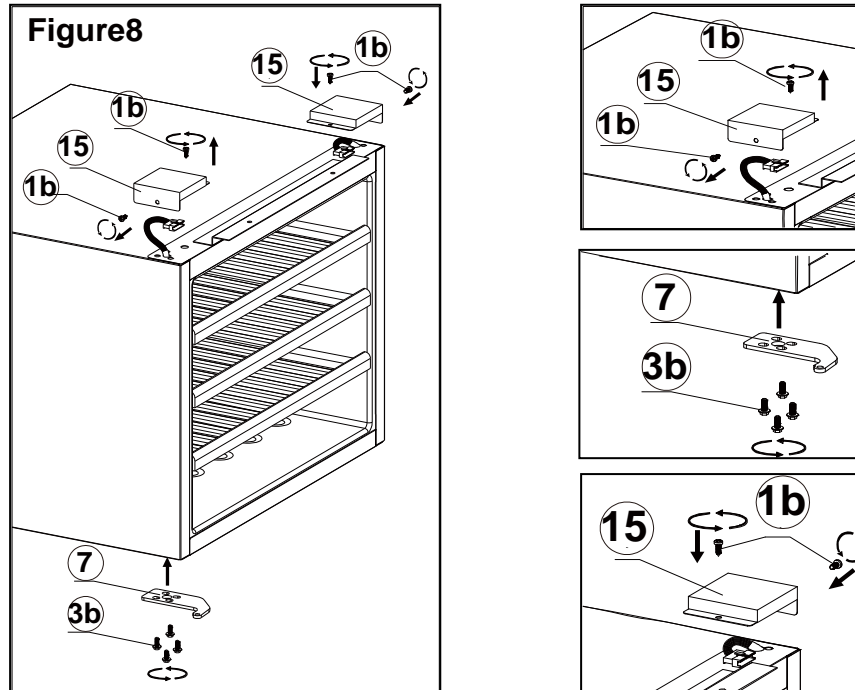


3. Insert a straight screwdriver to the groove of the left door corner cover 12, and prize it up. See **Figure 6**.
4. Slowly pull out the harness 13 at the left door corner, which must be ensured no longer than 90 mm to avoid loosen the inside terminals. Insert the harness wires one by one into the upper left hinge hole through its gap. See **Figure 7**.



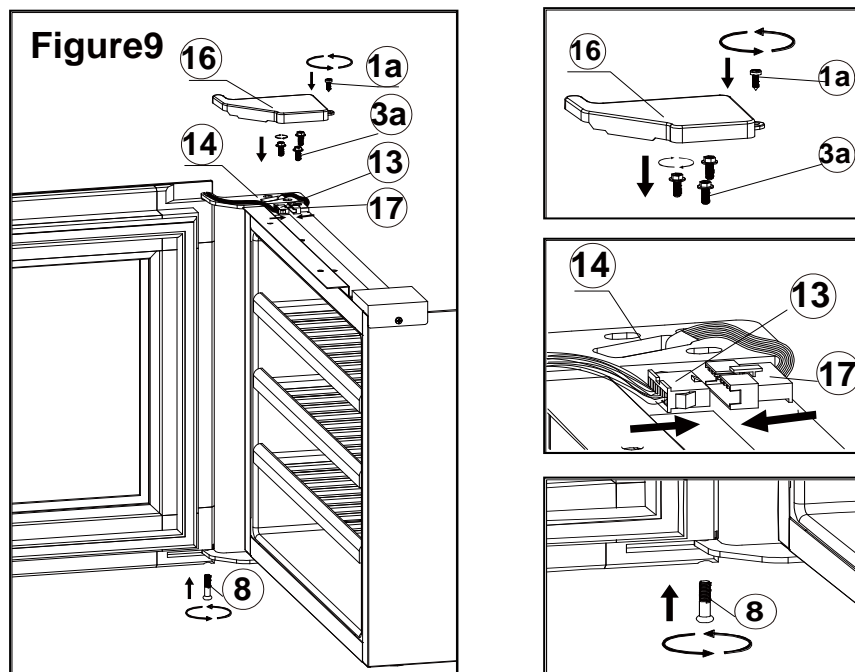
3rd step Tidy the Cabinet. See Figure 8.

1. Loosen the 2 screws ○,1b to take out the harness cover ○,15 from the top left side of the cabinet.
2. Install the harness cover at the top right side of the cabinet to cover the harness there.
3. Install the bottom hinge at the bottom left side of the cabinet with 4 screws ○,3b.



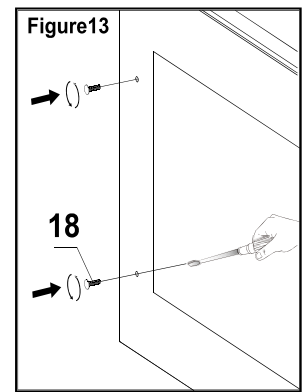
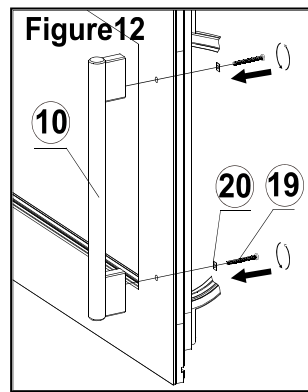
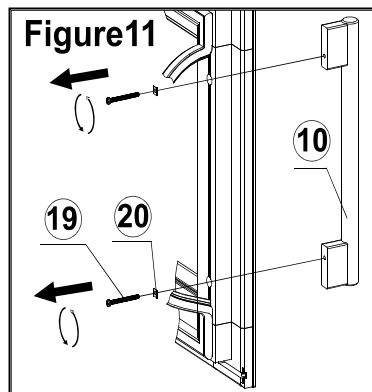
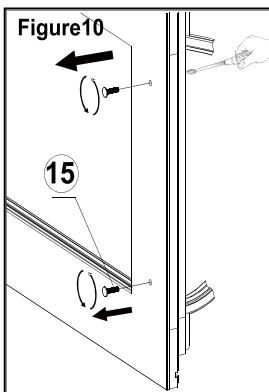
4th step Install the Door. See Figure 9.

1. Install the upper left hinge ○,14 at the top left side of the cabinet with 3 screws ○,3a.
2. Fix the door to the bottom hinge with a screw ○,8.
3. Connect the two wiring harnesses ○,13 & ○,17 through their terminals.
4. Tidy the harnesses and install the upper left hinge cover ○,16 with the screw ○,1a.



5th step Reverse the Door Handle.

1. Remove the gasket at the right inner side of the door to expose the 2 decoration screws ○,18. Unscrew them in a clockwise direction with a straight screwdriver at first, and then loosen them in a counter-clockwise direction by fingers from the outer side of the door. Now the screw holes are ready for installing the handle to the right side. See **Figure 10**.
2. Remove the gasket at the left inner side of the door to expose the 2 handle screws ○,19. Unscrew them in a counter-clockwise direction with a cross screwdriver, take out the screws and the washers as well as the handle. See **Figure 11**.
3. Install the handle to the outer right side of the door (backwards to the steps of taking-down the door). See **Figure 12**.
4. Install the 2 decoration screws to the holes at the left side of the outer door (backwards to the steps of unscrewing it). See **Figure 13**.
5. Make sure the door gasket is tidy.



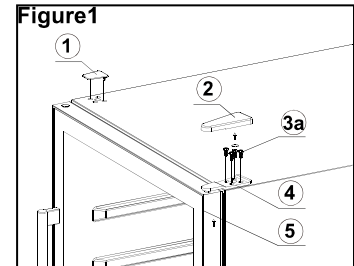
FOR FLOOR-STANDING SERIES

Remarks:

- Reversible door swing function is only available for a unit with control panel inside the cabinet.
- The instruction is based on a unit with right door hinge installed already.
- All removed parts must be saved to do the door reinstallation.

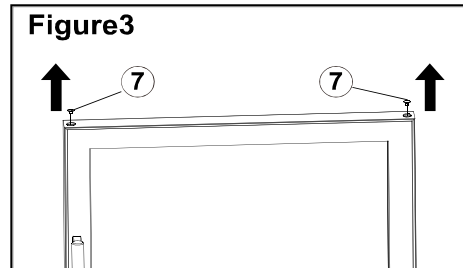
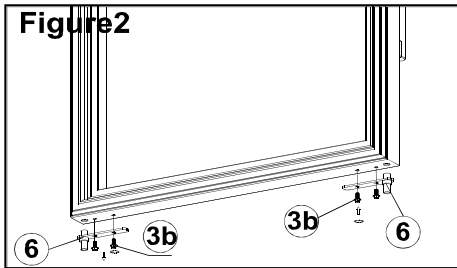
1st step

Prize up the hinge screw holes cover ○,1 and hinge cover ○,2 with a straight screwdriver. Take out the upper hinge by loosening the screws ○,3a, and lift up the whole door. See **Figure 1**.



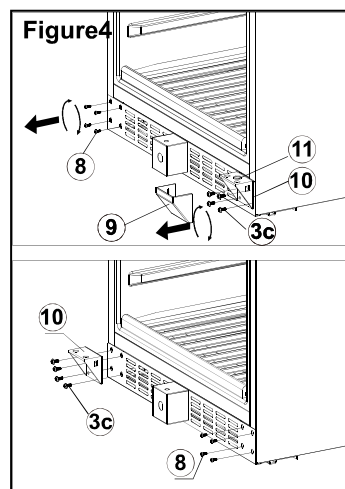
2nd step

Move the support rod ○,6 (at the bottom of the door) from the right to the left side. Move the hinge hole cover (at the top of the door) from the left side to the right side. See **Figure 2 & 3**.




3rd step

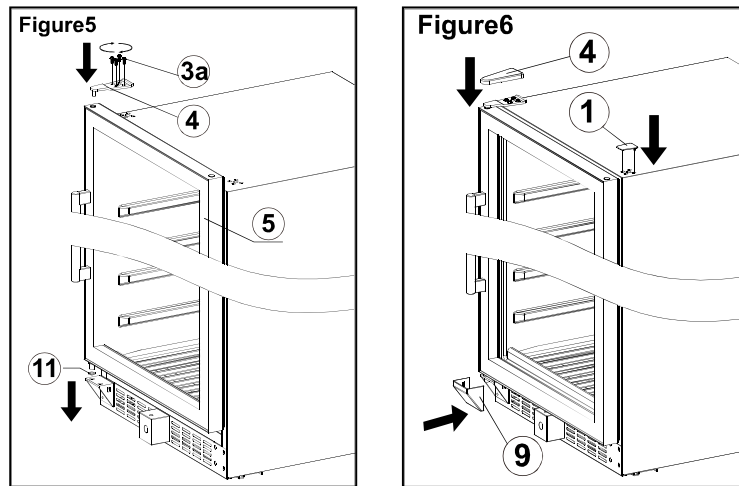
Pull out the bottom hinge cover ○,9, and take out the bottom hinge by loosening the screws. Loose the 4 screws on the bottom left side. Install the bottom hinge to the left side while screw the holes on the right side. See **Figure 4**.



4th step

To reinstall the door to the opposite side, insert the door support rod to the bottom hinge through a washer , 11, and screw the upper hinge which has connected with the door.

Finally, cover the hinges as well as the hinge screw holes. See **Figure 5 & 6**.

**5th step**

Change the door handle from the left to the right side of the front door by following the instructions as mentioned above.