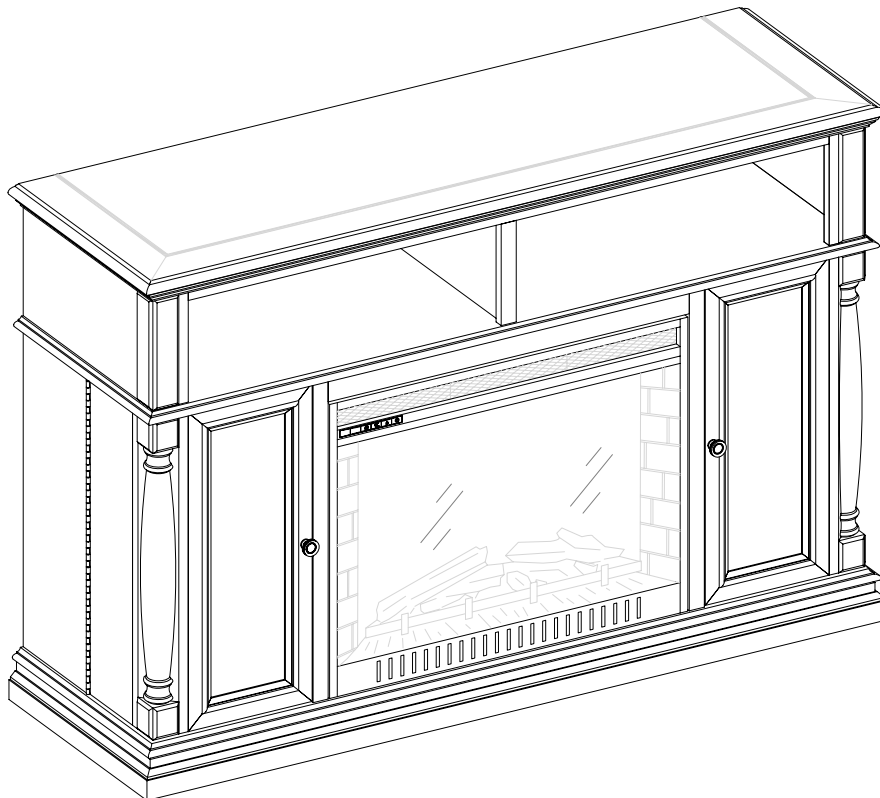




LOT NUMBER: _____
DATE PURCHASED: ___/___/___

Harrison Fireplace Console Model # HRSFP-30I



ADULT ASSEMBLY AND SET-UP REQUIRED

If you have any questions regarding assembly or if parts are missing, **DO NOT** return this item to the store where it was purchased. Please call our customer service number and have your instructions and parts list ready to provide the model name, part name or factory number:

1-866-942-5362

Pacific Standard Time: 8:30 a.m. - 4:30 p.m., Monday - Friday

Or visit our web site 24 hours a day, 7 days a week for product assistance at

www.whalenstyle.com

Or e-mail your request to **parts@whalenfurniture.com**

**THIS INSTRUCTION BOOKLET CONTAINS IMPORTANT SAFETY INFORMATION.
PLEASE READ AND KEEP FOR FUTURE REFERENCE.**

QUALITY GUARANTEE

We are confident that you will be delighted with your Whalen Furniture purchase.

Should this product be defective in workmanship or materials or fail under normal use, we will repair or replace it for up to one (1) year from date of purchase. Every Whalen Furniture product is designed to meet your highest expectations. We guarantee that you will immediately see the value of our fine furniture.

This warranty gives you specific legal rights and you may also have other rights which vary from State to State.

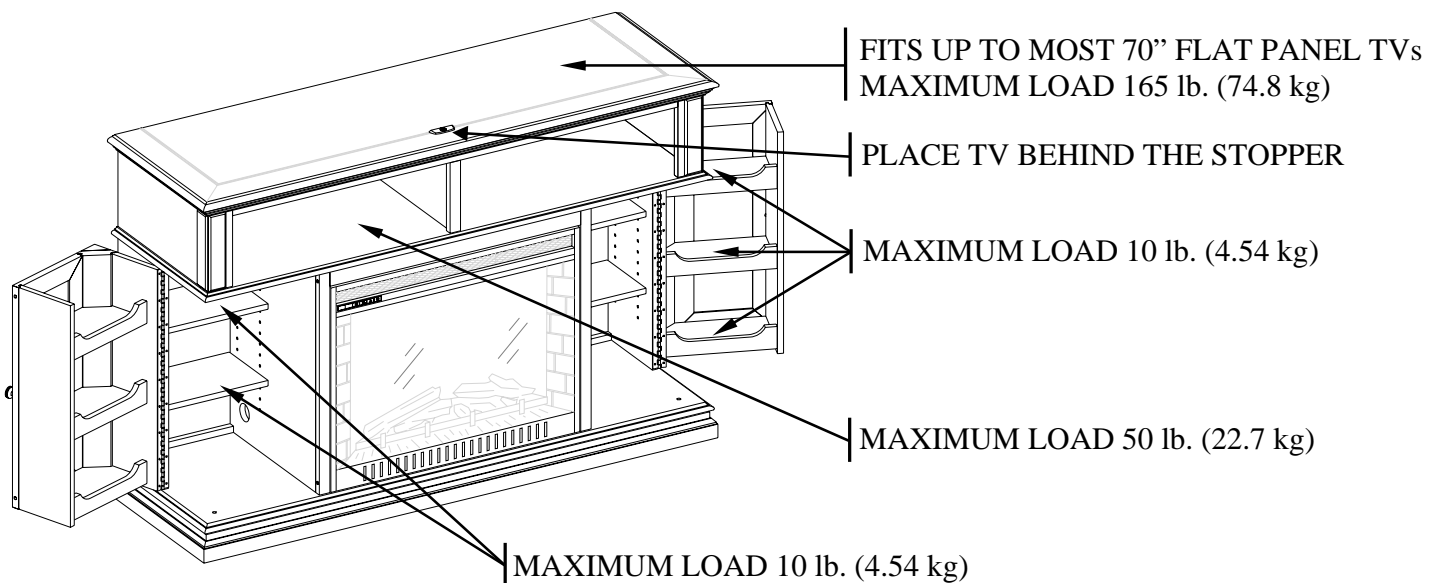
Customer Service: 1-866-942-5362

8:30 a.m. - 4:30 p.m., PST, Monday to Friday

www.whalenstyle.com

MAXIMUM RECOMMENDED WEIGHT LOADS

MANUFACTURER: Whalen Furniture
 CATALOG: Harrison Fireplace Console (HRSFP-30I)
 DATE OF MANUFACTURE: June 2012
 MADE IN CHINA



⚠ WARNING THIS UNIT IS NOT INTENDED FOR USE WITH CRT TVS. USE ONLY WITH FLAT PANEL TVS AND AUDIO/VIDEO EQUIPMENT MEETING RECOMMENDED SIZE AND WEIGHT LIMITS. NEVER USE WITH LARGER/HEAVIER THAN RECOMMENDED FLAT PANEL TVS OR EQUIPMENT. TO AVOID INSTABILITY, PLACE FLAT PANEL TV IN CENTRE OF UNIT; CRT TVS, IMPROPERLY POSITIONED FLAT PANEL TVS, OR FLAT PANEL TVS OR OTHER EQUIPMENT THAT EXCEED RECOMMENDED SIZE AND WEIGHT LIMITS COULD FALL OFF OR BREAK THE UNIT, CAUSING POSSIBLE SERIOUS INJURY.

Please call for replacement parts or assistance: 1-866-942-5362

IMPORTANT SAFETY INSTRUCTIONS

When using electrical appliances, basic precautions should always be followed to reduce the risk of fire, electrical shock and injury to persons, including the following:

1. Read all instructions before using this heater.
2. This heater is hot when in use. To avoid burns, do not let bare skin touch hot surfaces. If provided, use handles when moving this heater. Keep combustible material, such as furniture, pillows, bedding, papers, clothes and curtains at least 3 feet (0.9 meters) from the front of the heater and keep them away from the sides and rear.
3. Extreme caution is necessary when any heater is used by or near children or invalids and whenever the heater is left operating and unattended.
4. Always unplug heater when not in use.
5. Do not operate any heater with a damaged cord or plug or after the heater malfunctions, has been dropped or damaged in any manner. Return heater to authorized service facility for examination, electrical or mechanical adjustment, or repair.
6. Do not use outdoors.
7. This heater is not intended for use in bathrooms, laundry areas and similar indoor locations. Never locate heater where it may fall into a bathtub or other water container.
8. Do not run power cord under carpeting. Do not cover power cord with throw rugs, runners, or the like. Arrange power cord away from traffic area and where it will not be tripped over.
9. To disconnect heater, turn controls to off, then remove plug from outlet.
10. Connect to properly grounded outlets only.
11. Do not insert or allow foreign objects to enter any ventilation or exhaust openings as this may cause an electric shock or fire, or damage the heater.
12. To prevent a possible fire, do not block firebox air intakes or exhaust in any manner. Do not operate firebox on soft surfaces, like a bed, where openings may become blocked.
13. A heater has hot and arching or sparking parts inside. Do not use in areas where gasoline, paint, or flammable liquids are used or stored.
14. There is a thermostat limiter inside the heater. When the inner temperature over heating or occur abnormal heating, the thermostat protective device would cut off power supply to avoid the fireplace damaged or risk of fire.
15. Use this heater only as described in this manual. Any other use not recommended by the manufacturer may cause fire, electrical shock, or injury to persons.
16. Avoid the use of an extension cord because the extension cord may overheat and cause a risk of fire. However, if you have to use an extension cord, the cord shall be No.14ga minimum size and rated not less than 1875 watts, and the extension cord shall be a three-wire cord with grounding type plug and cord connector.

SAVE THESE INSTRUCTIONS

Please call for replacement parts or assistance: 1-866-942-5362

GROUNDING INSTRUCTIONS

This product must be grounded. If it should malfunction or breakdown, grounding provides a path of least resistance for electric current to reduce the risk of electric shock. This product is equipped with a cord having an equipment-grounding conductor and a grounding plug. The plug must be plugged into an appropriate outlet that is properly installed and grounded in accordance with all local codes and ordinances.

This heater is for use on 120 volts circuit and has a grounded plug that looks like the one illustrated on Figure 1. See Figure 1 for grounding instruction. An adapter as shown at C is available for connecting three-blade grounding type plugs to two-slot receptacles. The green grounding plug extending from the adapter must be connected to a permanent ground such as a properly grounded outlet box. The adapter should not be used if a three-slot grounded receptacle is available.

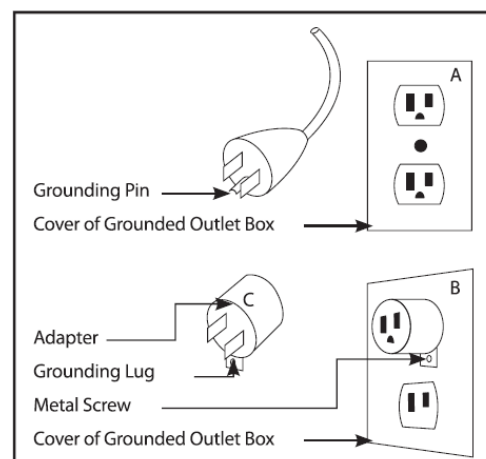


Figure 1

⚠ DANGER Improper connection of the equipment-grounding conductor can result in a risk of electric shock. Check with qualified electrician or serviceman if you are in doubt as to whether the product is properly grounded. Do not modify the plug provided with the product – If it will not fit the outlet; have a proper outlet installed by qualified electrician.

FCC STATEMENT

NOTE: This equipment has been tested and found to comply with the limits for Class B digital device, pursuant to Part 15 of the FCC Rules. These limits are designed to provide reasonable protection against harmful interference in a residential installation. This equipment generates, uses, and can radiate radio frequency energy and, if not installed and used in accordance with the instructions, may cause harmful interference to radio or television reception. However, there is no guarantee that interference will not occur in a particular installation. If this equipment does cause harmful interference to radio or television reception, which can be determined by turning the equipment off and on, the user is encouraged to try to correct the interference by one or more of the following measures:

- Reorient or relocate the receiving antenna.
- Increase the separation between the equipment and the receiver.
- Connect the equipment into an outlet on a circuit different from that to which the receiver is connected.
- Consult the dealer or an experienced radio/TV technician for help.

This device complies with Part 15 of the FCC Rules. Operation is subject to the following two conditions:

- 1) This device may not cause harmful interference, and
- 2) This device must accept any interference received, including interference that may cause undesired operation.

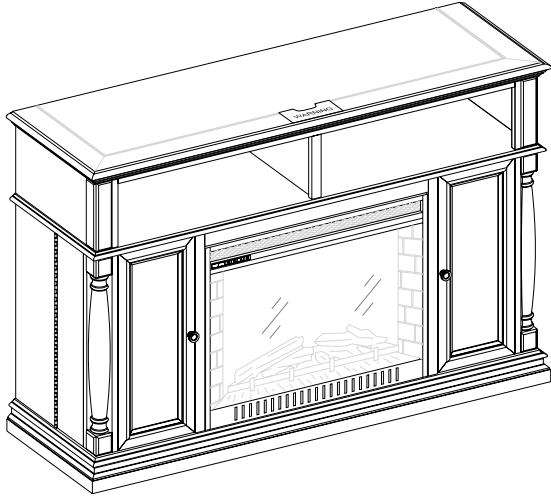
Modifications not approved by the party responsible for compliance could void user's authority to operate the equipment. This Class B digital apparatus complies with Canadian ICES-003.



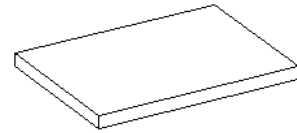
Please call for replacement parts or assistance: 1-866-942-5362

Parts and Hardware List

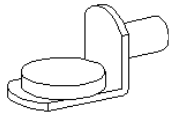
Please read completely through the instructions and verify that all parts listed are present before beginning assembly.



A- MANTEL WITH FIREPLACE (1)



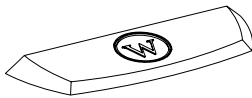
B- ADJUSTABLE SHELF (4)
(Pre-attached)



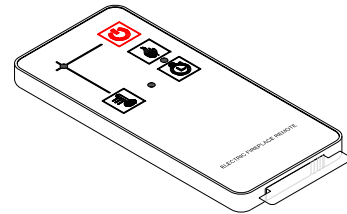
(1) SHELF PIN w/HOLE (16)
(Pre-attached)



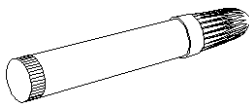
(2) 1/2" WOOD SCREW (16)
(Pre-attached)



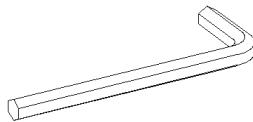
(3) ACRYLIC STOPPER (1)



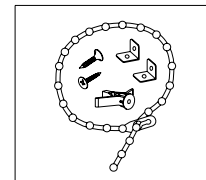
(4) REMOTE CONTROL WITH BATTERY (1)



TOUCH-UP PEN (1)



ALLEN WRENCH (1)

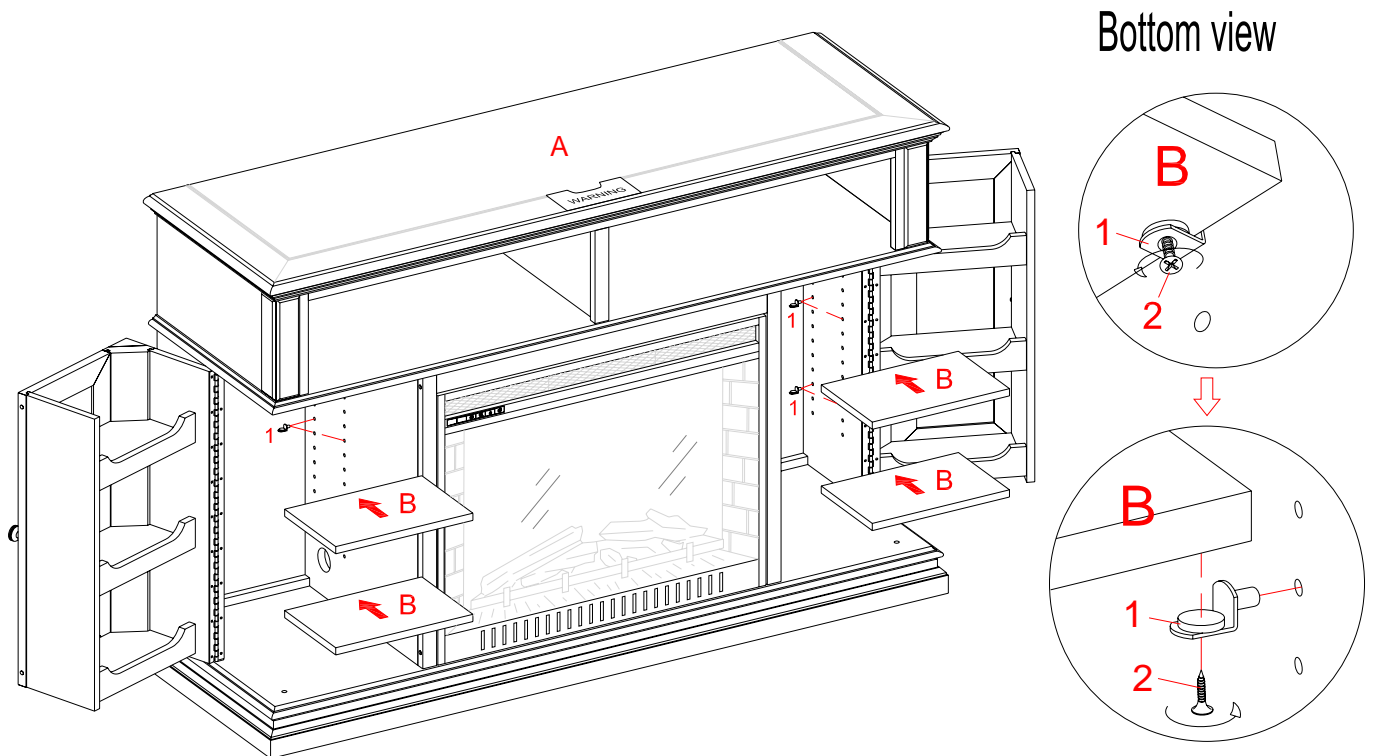


TIPPING RESTRAINT HARDWARE KIT (2)
(Included in plastic bag)

Tools required: Allen Wrench (provided) and Phillips screwdriver (not provided).

Please call for replacement parts or assistance: 1-866-942-5362

Assembly Instructions



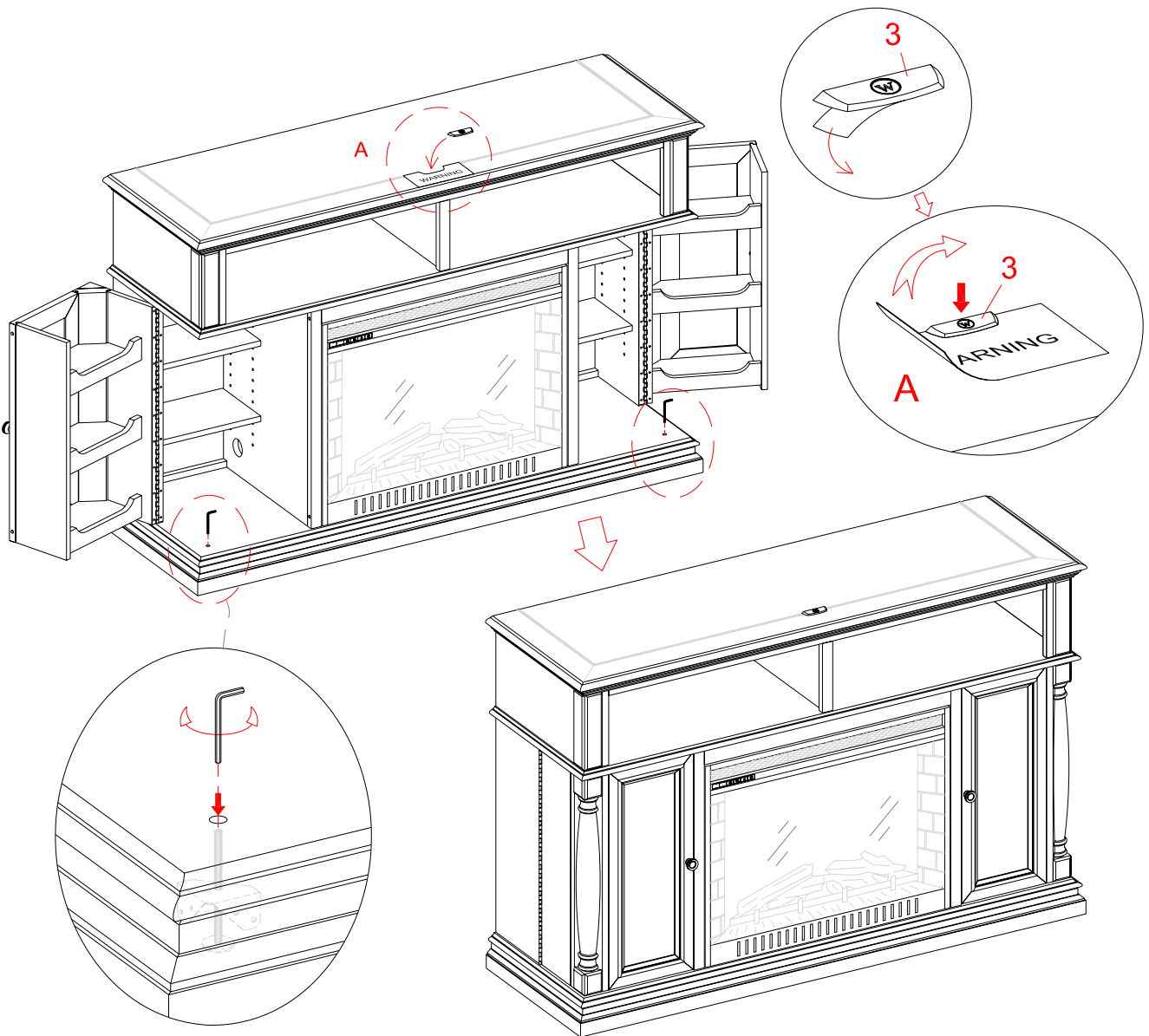
1. Unpack the unit and confirm that you have all the hardware and required parts listed.
2. Position MANTEL (A) on your desired location against a wall to place your TV on top when you finish assembly.

NOTE: The Fireplace Console is fully assembled from the factory. There are, however, a few final set-up and adjustment procedures that need to be completed before your Whalen product is completely installed.

3. The ADJUSTABLE SHELVES (B) are pre-installed for shipping. If the SHELF position is not to your liking, you will need to reposition the SHELF by following the steps below.
 - a. Look under each SHELF (B), and locate the 1/2" WOOD SCREWS (2) holding the SHELF to the SHELF PINS (1).
 - b. Remove the 1/2" WOOD SCREWS (2) from each SHELF PIN (1) with a Phillips screwdriver.
 - c. Remove the ADJUSTABLE SHELF (B) from the MANTEL.
 - d. Remove the SHELF PINS (1) from the MANTEL and re-position them in the desired location. Make sure you place the SHELF PINS in the same level so the SHELF is not tilted.
 - e. Place the ADJUSTABLE SHELF (B) back onto the newly relocated SHELF PINS (1).
 - f. Using the Phillips screwdriver, reinstall the 1/2" SCREWS (2) through the SHELF PINS (1) and into the ADJUSTABLE SHELF (B).

Please call for replacement parts or assistance: 1-866-942-5362

Assembly Instructions

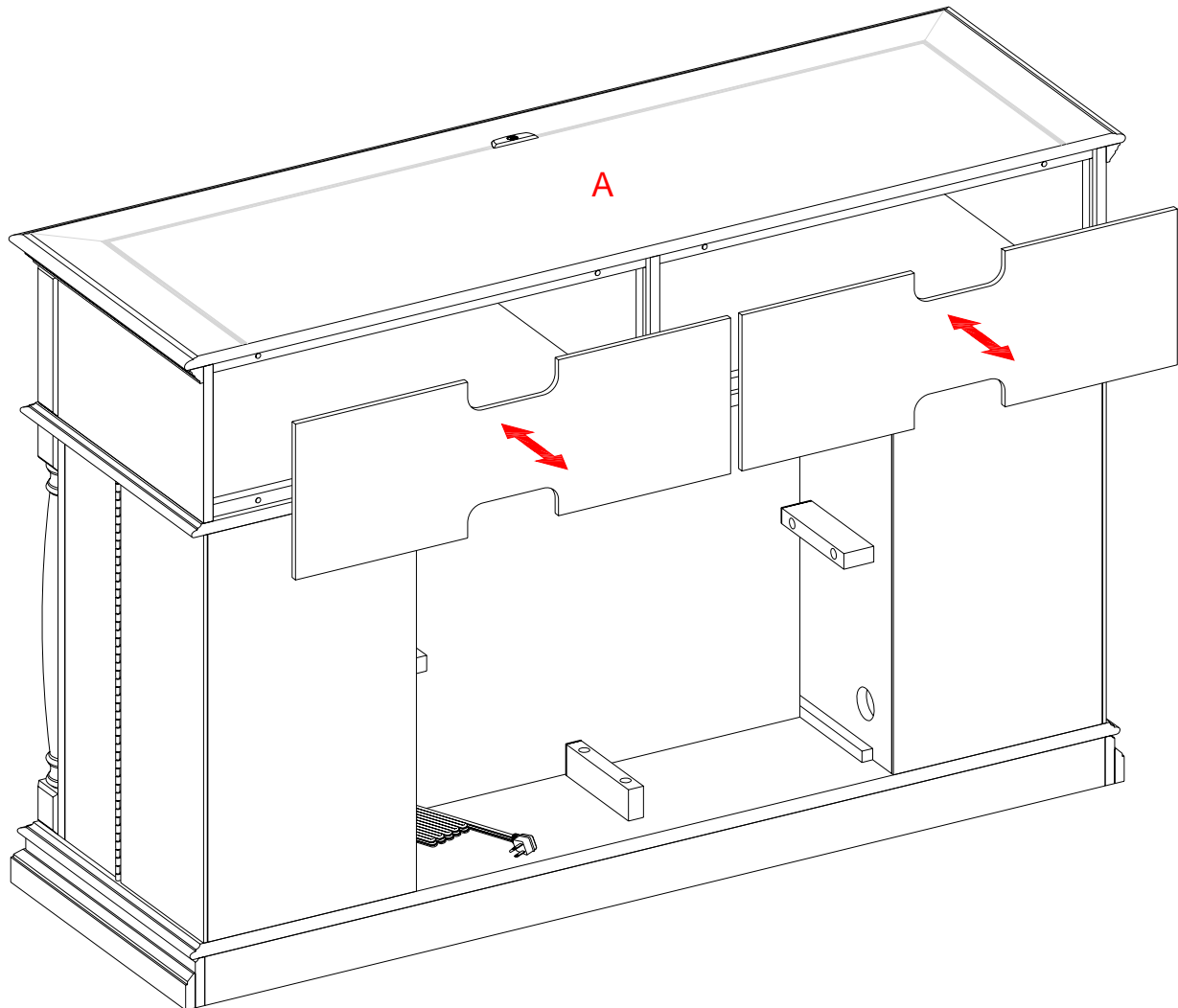


NOTE: You must install the Acrylic TV Stopper to prevent TV from tipping when placing your flat panel television on the table-top.

4. Remove the tape of ACRYLIC STOPPER (3) and place it on the cut-out of the warning label on the front of MANTEL. Make sure it is aligned before applying pressure.
5. Remove the warning label for ACRYLIC STOPPER carefully.
6. In case of uneven floor, the Floor Levelers are provided at the front of base. Open the library and you will see a hole at the base of the unit, use enclosed ALLEN WRENCH to turn the leveler and adjust the height of the unit, until unit is level.

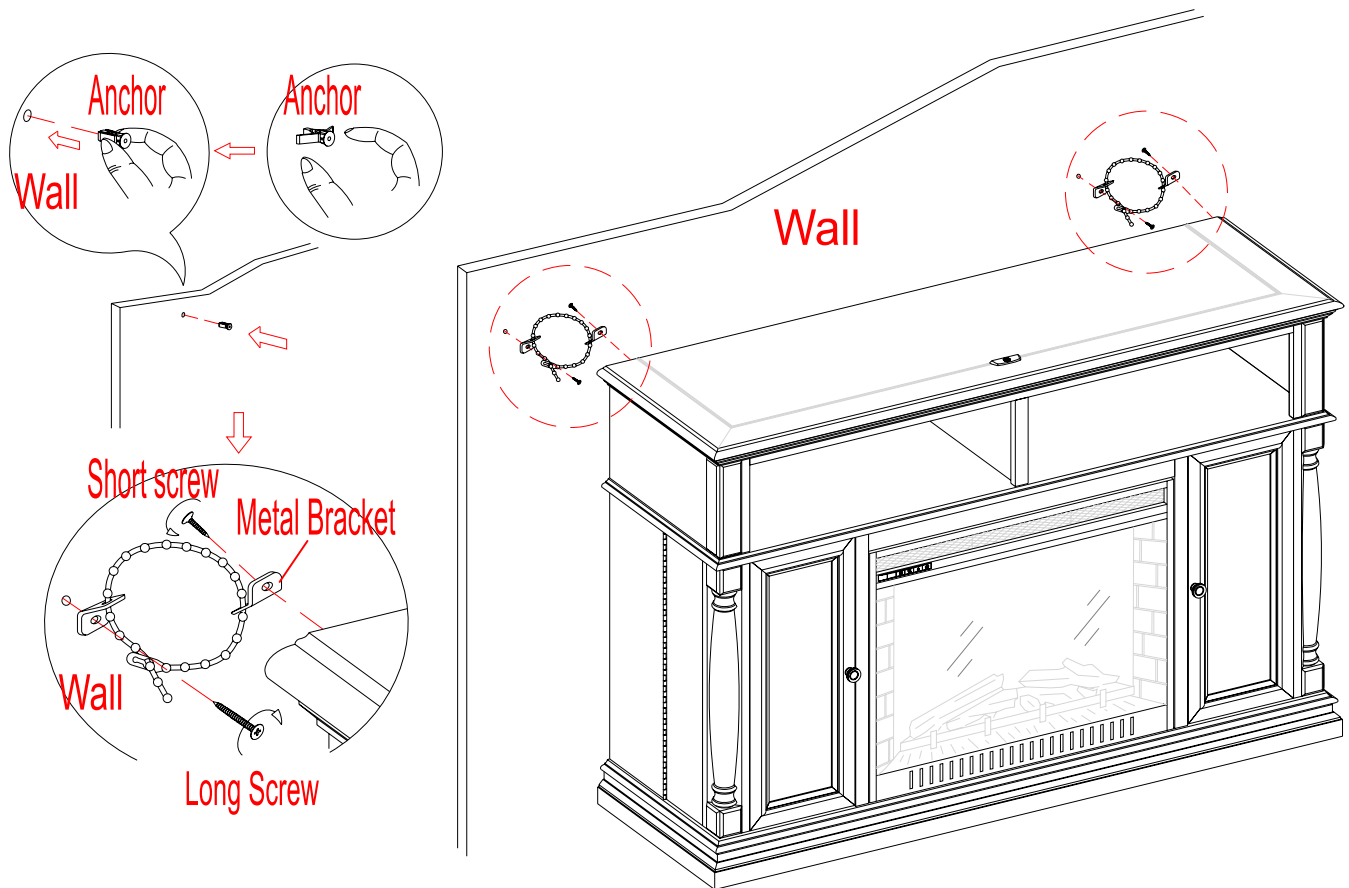
Please call for replacement parts or assistance: 1-866-942-5362

Assembly Instructions



7. The vented rear panels are removable for easy access to audio and video component hook-up.

Assembly Instructions



Tools required: Phillips Screwdriver, Power Drill, 3/8" Drill Bit and Rubber Mallet.

8. Position the MANTEL (A) in your desired location against a wall. Now follow the instructions printed on the plastic bag containing the TIPPING RESTRAINT HARDWARE to mount the tipping restraint to the unit and the wall.

NOTE: Young children can be seriously injured by tipping furniture. You must install the Tipping Restraint Hardware with the unit in use to prevent any accidents or damage to the unit. The tipping restraints are intended only as a deterrent, they are not a substitute for proper adult supervision. The tipping restraints are not earthquake restraints. If you wish to add the extra security of earthquake restraints, they must be purchased and installed separately.

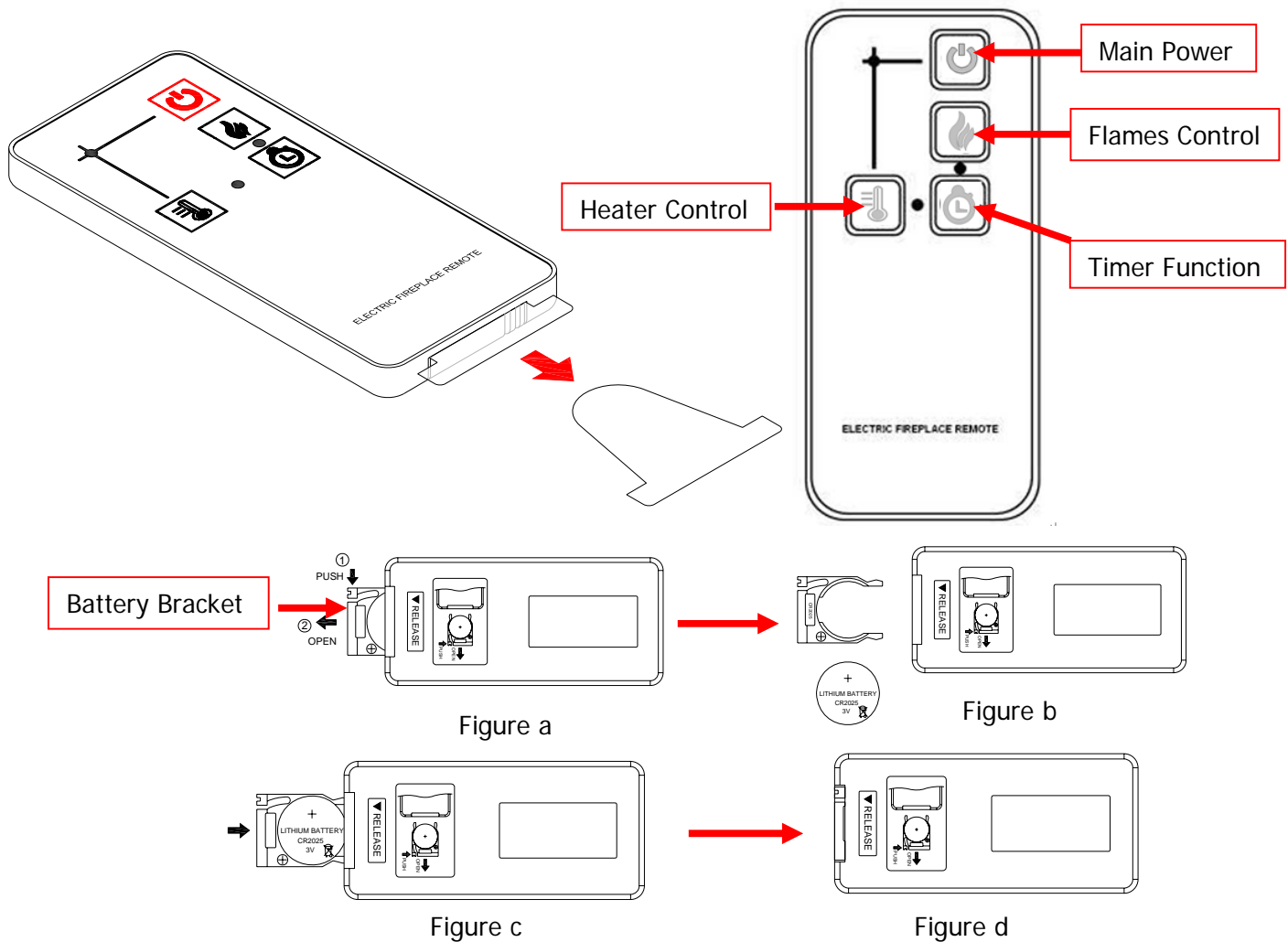
Please call for replacement parts or assistance: 1-866-942-5362

Whalen Furniture Mfg. Inc.

Page 9

Factory No. 15779

OPERATION INSTRUCTIONS WITH REMOTE



9. The fireplace/heater features small REMOTE CONTROL (4). This remote combines all the functions of the front panel controls of the fireplace/heater with the convenience of not having to leave the comfort of your seat to change the settings of the fireplace/heater. The first thing to do with the REMOTE CONTROL (4) is to remove the plastic sheet insulated the battery.

10. The battery is supplied with the REMOTE CONTROL. Replacement batteries can be purchased at any electronics store. The part number for the battery is **CR2025**. Please follow the sequence below to replace the battery.

- a. Take out battery bracket, and locate the battery bracket. (Figure a)
- b. The battery has two sides, one with a button feature, and the other is flat. (Figure b)
- c. Insert the battery with the button side into the battery bracket, making sure the battery is firmly seated. (Figure c)
- d. Press the battery bracket into the remote control, making sure it snaps into position. (Figure d)

NOTE: Never dispose of batteries in fire, except under conditions of controlled incineration. Failure to observe this precaution may result in an explosion.

11. Connect the Fireplace to the power transformer. Follow the separated operating manual of electric fireplace to control your fireplace.

Please call for replacement parts or assistance: 1-866-942-5362

TROUBLE SHOOTING GUIDE

PROBLEM	SOLUTION
1. No power or function.	<p>1a. Check that unit is plugged into a standard 120V outlet.</p> <p>1b. Press power button on the control panel.</p>
2. Main power switch lights up, but no flame effect.	2a. Open the top and back panel to check if the flame spindle has fallen off from spindle motor.
3. Have flame effect, but heater does not blow warm air.	<p>3a. Confirm temperature setting exceeds room temperature.</p> <p>3b. Try to turn on/off HEATER button several times to make sure it is in the "ON" position.</p>
4. Heater does not work, but Power and Heater switches are in the "ON" position and thermostat is set on "HI".	4a. Turn all switches to the "OFF" position and unplug the unit from the wall outlet for 5 minutes. After 5 minutes plug the unit back into wall outlet, and operate as normal.

Please call for replacement parts or assistance: 1-866-942-5362

Care and Maintenance

- Use a soft, clean cloth that will not scratch the surface when dusting.
- Use of furniture polishes is not necessary. Should you choose to use polishes, test first in an inconspicuous area.
- Using solvents of any kind on your furniture may damage the finish.
- Never use water to clean your furniture as it may cause damage to the finish.
- Always use coasters under beverage glasses and flowerpots.
- Liquid spills should be removed immediately. Using a soft clean cloth, blot the spill gently. Avoid rubbing.
- Always use protective pads under hot dishes and plates. Heat can cause chemical changes that may create spotting within the furniture finish.
- Stains or marks from crayons or ink markers will be difficult to remove.
- In the event that your furniture is stained or otherwise damaged during use, we recommend that you call a professional to repair your furniture.
- Check bolts/screws periodically and tighten them if necessary.

Further advice about wood furniture care

It is best to keep your furniture in a climate-controlled environment. Extreme temperature and humidity changes can cause fading, warping, shrinking and splitting of wood. It is advised to keep furniture away from direct sunlight as sun may damage the finish.

Proper care and cleaning at home will extend the life of your purchase. Following these important and helpful tips will enhance your furniture as it ages.

Cleaning trim for fireplace

Clean the metal trim using a soft cloth, slightly dampened with citrus oil based product and buff with a clean soft cloth. DO NOT use brass polish or household cleaners as these products will damage the metal trim. Citrus oil based products can be obtained at supermarkets or hardware stores.

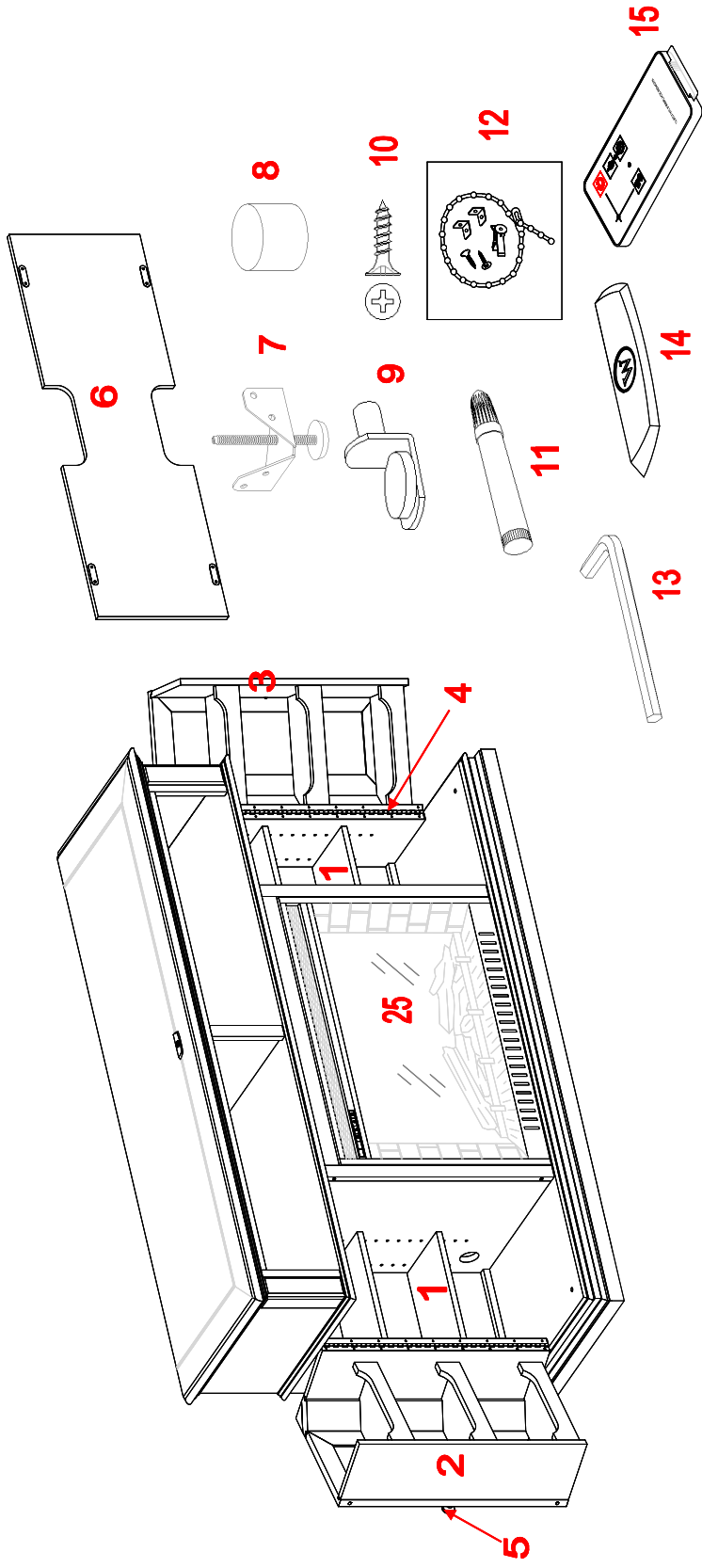
A Touch-up Pen has been provided to repair any small nicks or scratches that may occur during assembly or shipping.

We hope you enjoy your purchase for many years.
Thank you for choosing Whalen Furniture!



Please call for replacement parts or assistance: 1-866-942-5362

**IF YOU NEED TO ORDER PARTS PLEASE USE THE LIST BELOW
Harrison Fireplace Console (HRSFP-30I)**



*HRSFP-30I-1-AS	Adjustable Shelf	*HRSFP-30I-14-AS	Acrylic Stopper
*HRSFP-30I-2-LL	Left Library	*HRSFP-30I-15-RC	Remote Control-4 Buttons (FP30-2A-RC)
*HRSFP-30I-3-RL	Right Library	*HRSFP-30I-16-HIHT	Housing with Infrared Heating Tubes (FP30-2A-HIHT)
*HRSFP-30I-4-PHS	Piano Hinge w/Screws	*HRSFP-30I-17-B	Blower (FP30-2A-B)
*HRSFP-30I-5-KB	Knob w/Bolt	*HRSFP-30I-18-MPCB	MAIN PCB (FP30-2A-MPCB)
*HRSFP-30I-6-RRP	Removeable Rear Panel	*HRSFP-30I-19-CPPCB	Control Panel PCB (FP30-2A-CPPCB)
*HRSFP-30I-7-FL	Floor Leveler	*HRSFP-30I-20-FGDM	Flame Generator Drive Motor (FP30-2A-FGDM)
*HRSFP-30I-8-HDMC	Heavy-duty Magnetic Catch	*HRSFP-30I-21-LLPCB	Logs Light PCB (FP30-2A-LLPCB)
*HRSFP-30I-9-SPH	Shelf Pin w/Hole	*HRSFP-30I-22-DL	Down Light (FP30-2A-DL)
*HRSFP-30I-10-1/2WS	1/2" Wood Screw	*HRSFP-30I-23-EBLPCB	Ember Bed Light PCB (FP30-2A-EBLPCB)
*HRSFP-30I-11-TUP	Touch-up Pen	*HRSFP-30I-24-FLPCB	Flame Light PCB (FP30-2A-FLPCB)
*HRSFP-30I-12-TRHK	Tipping Restraint Hardware Kit	*HRSFP-30I-25-FIGF	Fireplace Insert Glass with Frame (FP30-2A-FIGF)
*HRSFP-30I-13-AW	Allen Wrench	*HRSFP-30I-CH	Complete Hardware