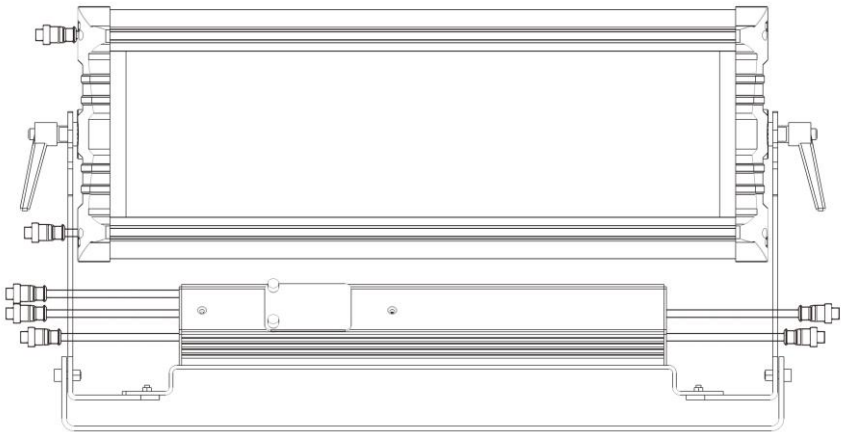




DELVISION
CANADA

DV-5128 RGB IP 66



VERSION:V 1.0

This manual contains important operation information. Read and understand all instructions prior to powering on unit the first time. Keep this manual in a safe place for future reference.



WARNING

SAFETY INFORMATION (service personnel)

READ ALL CAUTIONS AND WARNINGS PRIOR TO OPERATE THIS EQUIPMENT
INSTRUCTION TO PREVENT INJURY OR DAMAGE DUE TO ELECTRIC SHOCK, FIRE, MECHANICAL
HAZARDS.

This device has left our premises in absolutely perfect condition. In order to maintain this condition and to ensure a safe operation, it is absolutely necessary for the user to follow the safety instructions and warning notes written in this manual.

The manufacturer will not accept liability for any resulting damages caused by the non-observance of this manual or any unauthorized modification to the device.

Please consider that damages caused by manual modifications to the device are not subject to warranty.



Caution!

Indicates a skill or other useful information for special situations.



Important!

Indicates important information, to protect people from laser incident or damage.



WARNING

Prevent damage or injury from incorrect operation.



Recycle

To protect the environment, recycle packing material wherever possible.

•PROTECTION AGAINST DANGEROUS MATTERS

At the end of its working life, the product must not be disposed of as urban waste. It must be taken to a special local authority differentiate waste collection centre or to a dealer providing this service. The wrong disposal must be cause of environment and people damages in the presence of possible dangerous matters. There are provided for sanctions to a unauthorized disposal of these products.



•PROTECTION AGAINTS FIRE

- 1) Maintain minimum distance of 0.2 meter from walls or any other type flammable surfaces.
- 2) Maintain minimum distance of 0.2 meter to lighted objects .
- 3) Replace fuses (if present) only with the specified type and rating.
- 4) Do not install the spot close to heat sources. Do not lay the connection cable on the spot when it is warm.
- 5) Fixture designed to be installed on normally flammable surfaces



•PROTECTION AGAINST ELECTRIC SHOCK

- 1) This equipment must be earthed.



2) Class I equipment. The power supply cord includes a protective earthing conductor as part of the cord.

3) Disconnect power before servicing (service personnel).

•PROTECTION AGAINST MECHANICAL HAZARDS

1) Use secondary safety chain when fixing this equipment.

2) Equipment surface may reach temperature up to 60° C.

3) The protection screens and the lenses must be replaced with genuine parts only if they are visibly damaged and their effectiveness has been reduced, for example, by cracks or deep scratches.



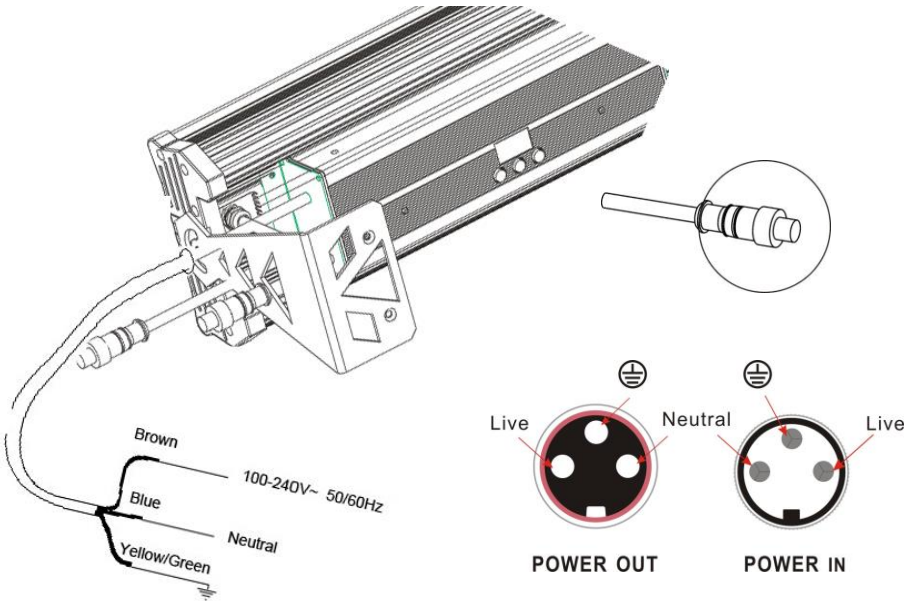
Caution! CONNECTION TO THE MAIN POWER

This equipment must be earthed.

Class I equipment. The power supply cord includes a protective earthing conductor as part of the cord.



IMPORTANT: to ensure the IP66 rate, in case of replacement of the conductor cable, refer to the CONDUCTOR SIZE TABLE



•Make sure that the available voltage is not higher than stated on the rear panel of the fixture.

•Always disconnect the fixture from AC power before cleaning, removing or installing the fuses, or any

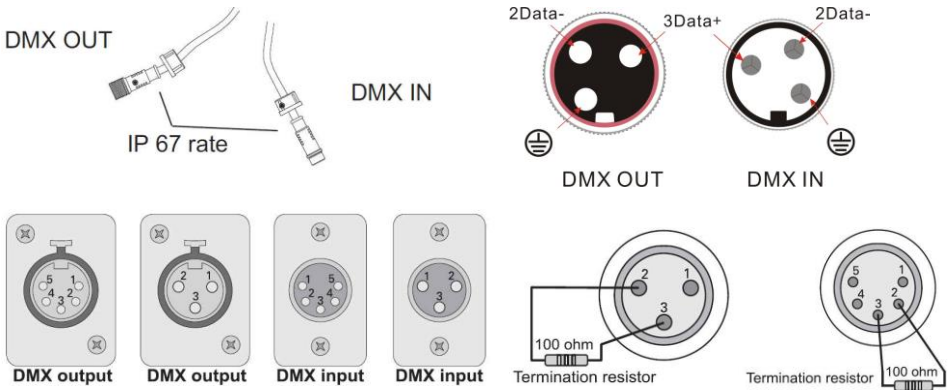
part.

- Do not overload wall outlets and extension cords as this can result in fire or electric shock.
- Make sure that the power/data cord is never crimped or damaged by sharp edges. Check the fixture and the power/data cord from time to time.
- Do not install the unit near naked flames.
- Refer servicing to qualified service personnel.

DMX CONNECTION

DMX TERMINAL LINE

- The wrong connection of the terminal line or its non-connection are probably the most frequent reasons for the defective functioning of the DMX line. The terminator is a terminal resistor fitted at the end of the cable furthest from the transmitter.
- The terminal resistor should have the same value as the impedance of the connection cable.
- We suggest to use a terminal with a 100 ohm resistor.
- It is recommended that all DMX 512 systems have the terminal resistor fitted in the DMX output of the last fixture.



WARNING

LED light emission. Risk of eye injury

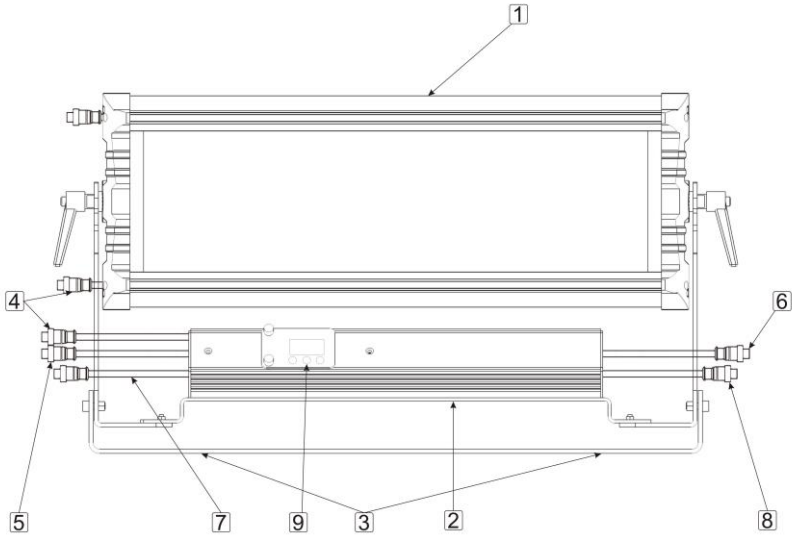
Do not look straight at the fixture's LEDs during operation. The intense light beam may damage your eyes.

INSTALLATION

- When choosing the installation spot, please make sure that the fixture is not exposed to extreme heat or dust.
- Avoid using the unit in locations subject to possible impacts.
- The fixture body never must be covered with cloth or other materials.
- Only operate the fixture after having checked that the housing is firmly closed and all screws are tightly fastened.
- Make sure that the area below the installation place is blocked when rigging, derigging or servicing the fixture.
- Do not block the front objective LEDs with any object when the fixture is under operation.
- The fixture becomes very hot during operation. Allow the fixture to cool approximately 40 minutes prior to manipulate with it.
- Operate the fixture only after having familiarized with its functions. Do not permit operation by persons not qualified for operating the fixture. Most damages are the result of unprofessional operation!
- Do not attempt to dismantle or modify the unit.
- Please consider that unauthorized modifications on the fixture are forbidden due to safety reasons!
- Please use the original packaging if the fixture is to be transported.
- If this device will be operated in any way different to the one described in this manual, the product may suffer damages and the guarantee becomes void. Furthermore, any other operation may lead to dangers like shortcircuit, burns, electric shock etc.

FIXTURE EXTERIOR VIEW

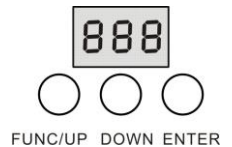
- This device has left out premise in absolutely perfect condition. In order to maintain this condition and to ensure safe operation, it is necessary for the user to follow the safety instructions and warning notes written in this manual.
- The manufacturer will not accept liability for any resulting damages caused by the non-observance of this manual or any unauthorized modification to the device.



- | | |
|--|--------------------|
| 1. LED module | 6. DMX out cable |
| 2. LED supply | 7. Power in cable |
| 3. Instal support | 8. Power out cable |
| 4. Power line and signal line for LED lamp | 9. Control board |
| 5. DMX in cable | |

CONTROL & FUNCTION

- When fixture is powered on, LED monitor on rear panel shows the current operating standalone mode or DMX address of DMX mode. With help of LED control panel, it is very easy to set and change the operating mode of laser.
- After every resetting and saved, the new mode information will be shown on LED monitor at next power on.



- FUNC** Mode Option, to choose the operating mode.
- ENTER** Confirmation, to confirm adjusted values and leaves menu(the parameter is flashing).
- UP** **DOWN** The UP/DOWN buttons allow to scroll forward/backward the menu list, sets values.

Master/slave connection

To build a master/slave-chain:

Connect the DMX output of the master fixture in the data chain with the DMX input of the first slave. Always connect output with the input of the next slave until all slaves are connected.



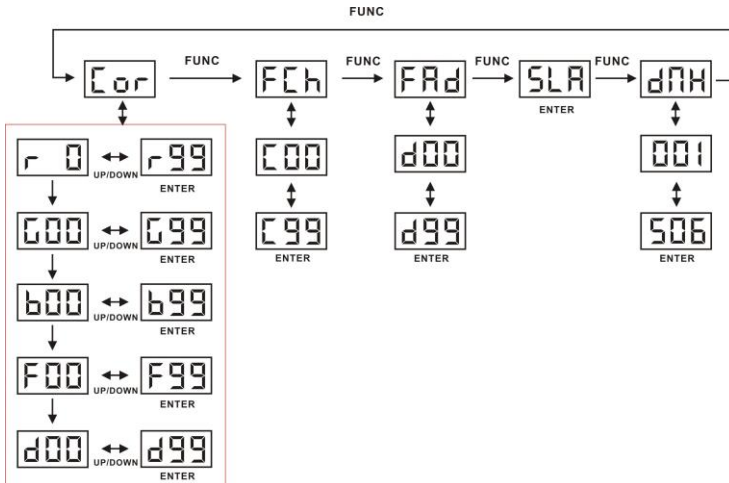
Caution:

It is necessary to terminate the input of the master fixture and the output of the last slave with a 100 Ohm resistor in order to ensure the proper transmission on the data link.

Stand-alone operation

- The fixtures on a data link are not connected to the controller but can execute pre-set programs which can be different for every fixture. To set the program to be played. "Stand-alone operation" can be applied to the single fixture or to multiple fixtures operating synchronously. Synchronous operation of multiple fixtures requires that they must be connected on a data link and one of them is set as a master (master mode) and the rest as the slaves (slave mode).
- Only one fixture can be set as the master.
- The master fixture starts simultaneous program start in the other slave fixtures. All fixtures have a definite, synchronized starting point when playing back their programs.

OPERATION



Fixture Menu

The control panel menu allows to set the fixture according to your needs, obtain information on its operation, test its various parts and lastly program it, if it has to be used in a Stand-alone mode.

Cor FCH FRd All InStand-alone model

LED Display function

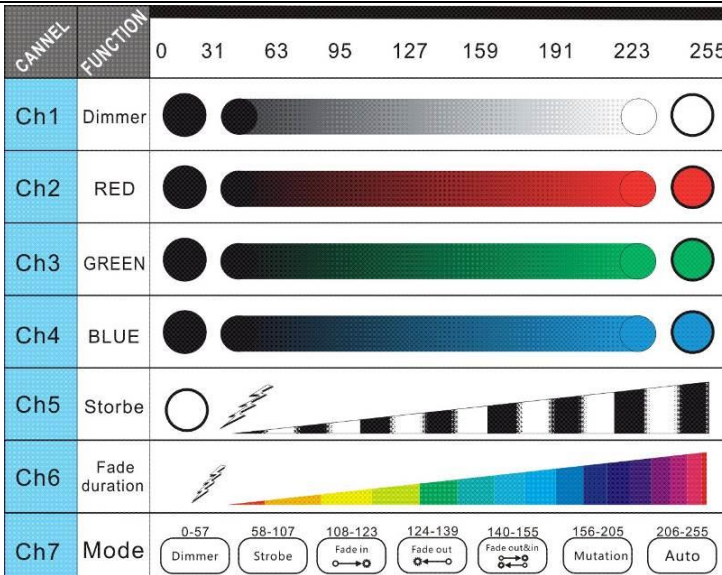
DISPALY	MODE	FUNCTION
Cor	Manual setting	R00-R99, G00-G99, B00-B99: (0-100% DIMMER, 0 OFF, 99 ON) F00-F99: (Strobe Speed Adjusting, 0 internal time, 1 slowest, 99 fastest) D00-D99: (Gradual Change Control, 0 internal time, 1 slowest, 99 fastest) Note: Strobe and Gradual change cannot occur at the same time.
FCH	Color hopping	FCH: Hopping time setting C00-C99(0 internal time, 1 slowest, 99 fastest)
FRd	Color Gradual Change	FDH: dreamlike time control d00-d99(0 internal time, 1 slowest, 99 fastest)
SLA	Slave function	As slave in master and slave model
DMH	DMX model	DMX address setting from 001-506 to 001-506

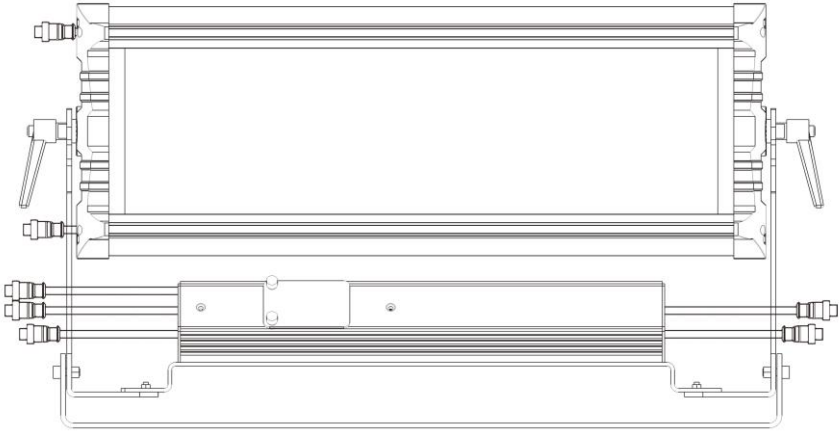
DMX Mode

Operating through a DMX controller give the user the freedom to create their own Programs tailored to their own individual needs. This function also allows you to use your units as spot lights.

- This function will allow ypu to control each individual unit's traits with a standard DMX 512 controller.
- The LED series uses 7DMX channels to operate. Please see "DMX Values and Functions" for the DMX traits.
- To run your unit in DMX mode, plug in the unit via the XLR connections to any standard DMX controller. Set your desired DMX address following the setup specifications that come with your DMX controller.

CANNEL	FUNCTION	DESCRIPTION	
CH 1 MODE	MAIN DIMMER	0-100% DIMMER	
CH 2 selection	R DIMMER	0-100% Red	
CH 3 Strobe	G DIMMER	0-100% Green	
CH 4	B DIMMER	0-100% Blue	
CH 5	Strobe time control	Slow to fast	
CH 6	Internal program time	Slow to fast	
CH 7	Function selection	000-057	Channels control CH1-CH4
		058-107	Strobe speed control
		108-123	Brightness hanging from dark to bright, gradual speed controlled by CH6
		124-139	Brightness hanging from bright to dark, gradual speed controlled by CH6
		140-155	Brightness hanging, dark-bright-dark, gradual speed controlled by CH6
		156-205	7-color program automatically hopping, time controlled by CH6
		206-255	Romantic effect, time controlled by CH6





Technical Features

SOURCE:

ArkiShine 12TC-180 12*15W COB; RGB IP66. Total: 4150. 1180lm of R, 2400lm of G and 570lm of B

OPTIC:

ArkiShine 12TC-180 12*15W COB; RGB IP66.: 36° lenses

TILT: manual 180°

IP RATE: IP 66

CONTROL:

Standard interface: DMX512

Stand-alone operation

POWER SUPPLY:

Switching power supply(universal main voltage)

Rated voltage: 170-265V~; 50/60Hz

Rated voltage: 90-130V~; 50/60Hz

IP66, Self-Protection in Over-Load, Over-Voltage, Over-Heated

Rated power: 165W

DMX CHANNELS: 7channels

PHISICAL:

WxHxL: 200x250x600mm

Weight: 12.5kg