

Thank you for selecting our product LX-SO-729

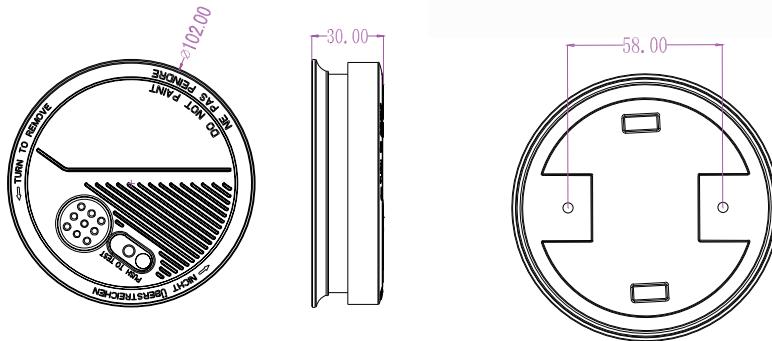
LX-SO-729 Smoke Alarm User's Manual

The photoelectric smoke detector is designed to sense smoke that comes into the detector chamber. It does not sense gas, heat, or flame. This smoke detector is designed to give early warning of developing fires by giving off the alarm sounds from its built-in alarm horn. It can provide precious time for you and your family to escape before a fire spreads.



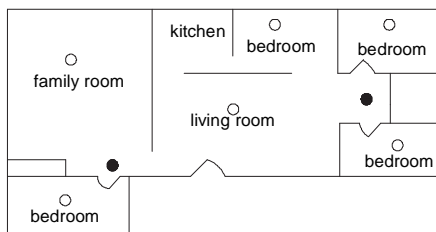
SPECIFICATION

- Power source: DC9V
- Alarm sonority:> 85 db (3m)
- Static Current: <10uA
- Low Voltage Alarm: 7V+0.5V
- Alarm Current: <10mA
- Working temperature:-10°C~50°C



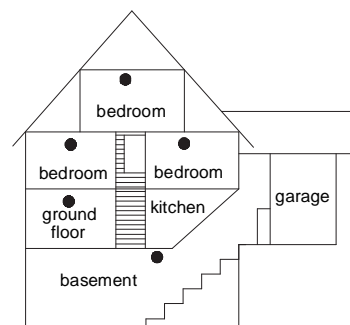
WHERE TO INSTALL SMOKE ALARMS

- ▶ Install a smoke detector in the hallway outside every separate bedroom area, as shown in Figure 1.
- ▶ Install a smoke detector on every floor of a multi-floor home or apartment, as shown in Figure2.



● smoke detector for minimum security
○ smoke detector for more security

Figure 1



● smoke detector for minimum security

Figure 2

- ▶ Install a smoke detector inside every bedroom.
- ▶ Install smoke detectors at both ends of a bedroom hallway if the hallway is more than 40 feet (12 meters) long.
- ▶ Install a smoke detector inside every room where one sleeps with the door partly or completely closed, since smoke could be blocked by the closed door and a hallway alarm may not wake up the sleeper if the door is closed.
- ▶ Install basement detectors at the bottom of the basement stairwell.
- ▶ Install second-floor detectors at the top of the first-to-second floor stairwell.
- ▶ Install additional detectors in your living room, dining room, family room, attic, utility and storage rooms.
- ▶ Install smoke detectors as close to the center of the ceiling as possible. If this is not practical, put the detector on the ceiling, no closer than 20 inches (50 cm) from any wall or corner, as shown in Figure 3.

▶ If some of your rooms have sloped, peaked, or gabled ceilings, try to mount detectors 3 feet (0.9 meter) measured horizontally from the highest point of the ceiling as shown in Figure 4.

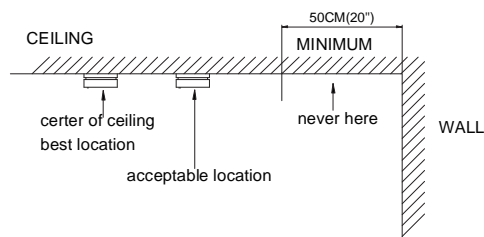


Figure 3

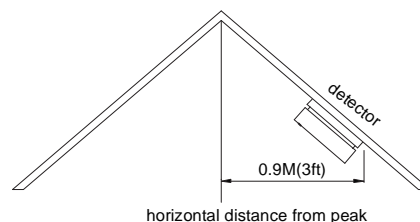


Figure 4

WHERE NOT TO INSTALL SMOKE ALARMS

Nuisance alarms take place when smoke detectors are installed where they will not work properly. To avoid nuisance alarms, do not install smoke detectors in the following situations:

▶ Combustion particles are the by-products of something that is burning. Thus, in or near areas where combustion particles are present you do not install the smoke detectors to avoid nuisance alarms, such as kitchens with few windows or poor ventilation, garages where there may be vehicle exhaust, near furnaces, hot water heaters, and space heaters.

▶ Do not install smoke detectors less than 20 feet (6 meters) away from places where combustion particles are normally present, like kitchens. If a 20-foot distance is not possible, e.g. in a mobile home, try to install the detector as far away from the combustion particles as possible. To prevent nuisance alarm alarms, provide good ventilation in such places.

▶ In damp or very humid areas, or near bathrooms with showers. Moisture in humid air can enter the sensing chamber, then turns into droplets upon cooling, which can cause nuisance alarms. Install smoke detectors at least 10 feet (3 meters) away from bathrooms.

▶ In very cold or very hot areas, including unheated buildings or outdoor rooms. If the temperature goes above or below the operating range of smoke detector, it will not work properly. The temperature range for your smoke detector is 40 oF to 100 oF (4 oC to 38 oC).

▶ In very dusty or dirty areas, dirt and dust can build up on the detector's sensing chamber, to make it overly sensitive. Additionally, dust or dirt can block openings to the sensing chamber and keep the detector from sensing smoke.

▶ Near fresh air vents or very drafty areas like air conditioners, heaters or fans, fresh air vents and drafts can drive smoke away from smoke detectors.

▶ Dead air spaces are often at the top of a peaked roof, or in the corners between ceilings and walls. Dead air may prevent smoke from reaching a detector.

▶ In insect-infested areas. If insects enter a detector's sensing chamber, they may cause a nuisance alarm. Where bugs are a problem, get rid of them before putting up a detector.

▶ Near fluorescent lights, electrical "noise" from fluorescent lights may cause nuisance alarms. Install smoke detectors at least 5 feet (1.5 meters) from such lights.

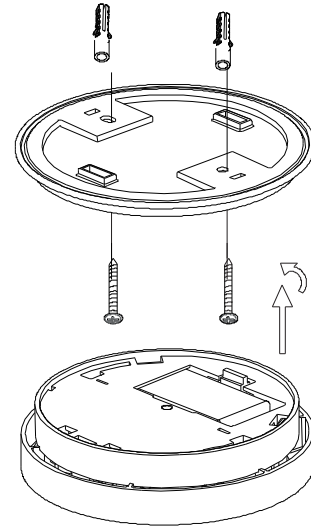
WARNING: Never remove batteries to stop a nuisance alarm. Open a window or fan the air around the detector to get rid of the smoke. The alarm will turn itself off when the smoke is gone. If nuisance alarms persist, attempt to clean the detector as described in this User's Manual.

WARNING: Do not stand close to the detector when the alarm is sounding. The alarm is loud in order to wake you in an emergency. Too much exposure to the horn at close range may be harmful to your hearing.

INSTALLING YOUR SMOKE DETECTOR

The smoke detectors are to be mounted on the ceiling. Please follow these steps to install your smoke detector:

1. Hold the bottom cover firmly and then turn the body anti-clockwise to release the bottom cover down.
2. Hold the bottom cover on the selected installing position, make hole mark with pencil at the center of the installing slot/hole on the bottom cover;
3. Remove the bottom cover;
4. Using an electric drill with a 6.5mm drill bit, bore two holes on the pencil mark, put the unit away from getting plaster dust on it when you drill holes for mounting;
5. Tap the plastic dilatants into the holes with hammer and then strike the 3*30 screws into the dilatants; and tighten the screws to fix the bottom cover;
6. insert 9v cascading battery into battery box, if you don't do that, you cannot fix the alarm body on the bottom cover.
7. make the hole on the middle cover aligned with the lock button on the bottom cover and turn the alarm body clockwise.



NOTE: When the detector battery first makes contact with the detector, the alarm horn may sound for one second. This means normal and indicates that the battery is positioned properly. Close cover, then press the test button, holding it down for about 5 seconds until the horn sounds. The horn should sound a loud, pulsating alarm. This means the unit is working properly.

RED INDICATOR

The red LED, as the ALARM indicator, is featured with the detector. It can be seen through the test button on the cover of the detector. When red LED flashes once 35 seconds, it indicates the detector under normal operation. When smoke detector senses smoke and simultaneously sounds an audible alarm, the red LED will flash very frequently, once 0.5 seconds.

TESTING YOUR SMOKE DETECTOR

Test the detector weekly by pushing firmly on the test button with your finger until the horn sounds. Testing method may take up to 20 seconds to sound the alarm horn. **These are only ways to be sure that detector is working correctly. If the detector fails to test properly, have it repaired or replaced immediately.**

WARNING: Never use an open flame to test your detector. You may set fire to damage the detector, as well as your home. The built-in test switch accurately tests all detector functions, as required by Underwriters' Laboratories. They are the only correct ways to test the unit.

WARNING: When you are not testing the unit and the alarm horn sounds a loud continuous sound, this means the detector has sensed smoke or combustion particles in the air. Be sure that the alarm horn is a warning of a possible serious situation, which requires your immediate attention.

► The alarm could be caused by a nuisance situation. Cooking smoke or a dusty furnace, sometimes called "friendly fires" can cause the alarm to sound. If this happens, open a window or fan the air to remove the smoke or dust. The alarm will turn off as soon as the air is completely clear.

► If the alarm horn begins to beep once a minute, this signal means that the detector's battery is weak. **Replace new battery immediately.** Keep fresh batteries on hand for this purpose.

TAKING CARE OF YOUR SMOKE DETECTOR

To keep your detector in good working order, you must test the detector weekly, as referring to section "TESTING YOUR SMOKE DETECTOR".

▶ Replace the detector battery once a year or immediately when the low battery "beep" signal sounds once a minute. The low battery "beep" should last at least 30 days.

NOTE: For replacement battery, use Eveready #522, #1222, #216; Duracell #MN1604; or Gold Peak #1604P, #1604S; or Ultralife U9VL-J.

▶ Open the cover and vacuum the dust off the detector's sensing chamber at least once a year. This can be done when you open the detector to change the battery. Remove battery before cleaning. To clean detector, use soft brush attachment to your vacuum. Carefully remove any dust on detector components, especially on the openings of the sensing chamber. Replace battery after cleaning. Test detector to make sure battery is correctly. Check to make sure there are no obstruction inside the test button. If there is any dust in the test button, insert a toothpick from the back to the front.

▶ Clean detector cover when it gets dirty. First open the cover and remove battery. Hand-wash cover with cloth dampened with clean water. Dry it with lint-free cloth. Do not get any water on the detector components. Replace the battery, and close cover. Test detector to make sure that battery works correctly.

NINGBO LEXING INDUCTOR ELECTRONIC CO.,LTD

Add:No.35 Zhuquan Road,Science&Technology Area.
Ninghai,Ningbo,Zhejiang,China

Tel:+86-574-65335088

Fax:+86-574-65335000 65335333

E-mail:lexing@lexing.com.cn

E-mail:lexing@globalmarket.com

www.lexing.com.cn

www.lexing.com

PAT.NO.: ZL 200820170283.4 ZL 2006 3 0160901.3

ISO9001 ISO14001