



User Manual

WITH

Spend a little Live a lot.



SEMPRE[®]

Colour Time Wall Clock

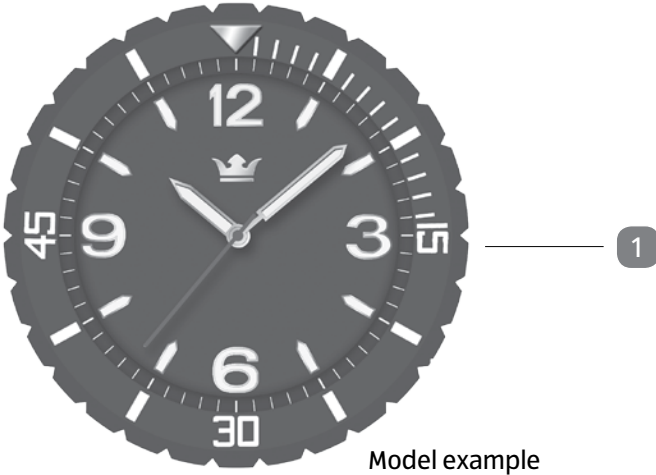


Model example

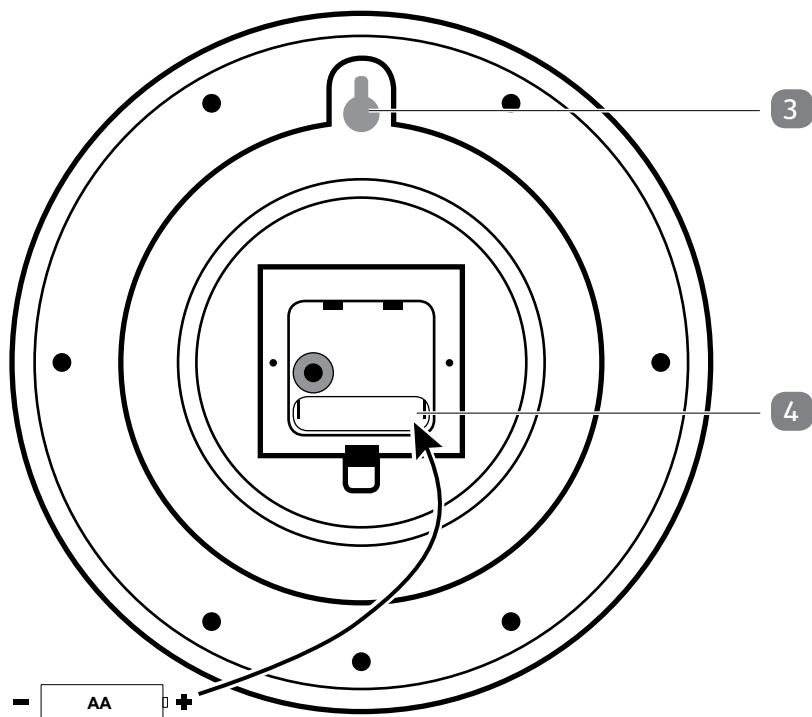
Contents

Overview	3
Use.....	4
Pack contents/device parts	6
General information	7
Reading and storing the user manual	7
Explanation of symbols	7
Unpacking and checking.....	8
Safety.....	8
Proper use.....	8
Safety notes	9
Battery notes.....	10
Handling	11
Installing or replacing the battery	11
Setting the time	11
Hanging on wall	11
Cleaning.....	12
Storage	12
Disposal	13
Disposing of the packaging.....	13
Disposing of old devices.....	13
Technical data	14
Declaration of conformity	14
Warranty.....	15
Warranty card.....	15
Warranty conditions.....	16

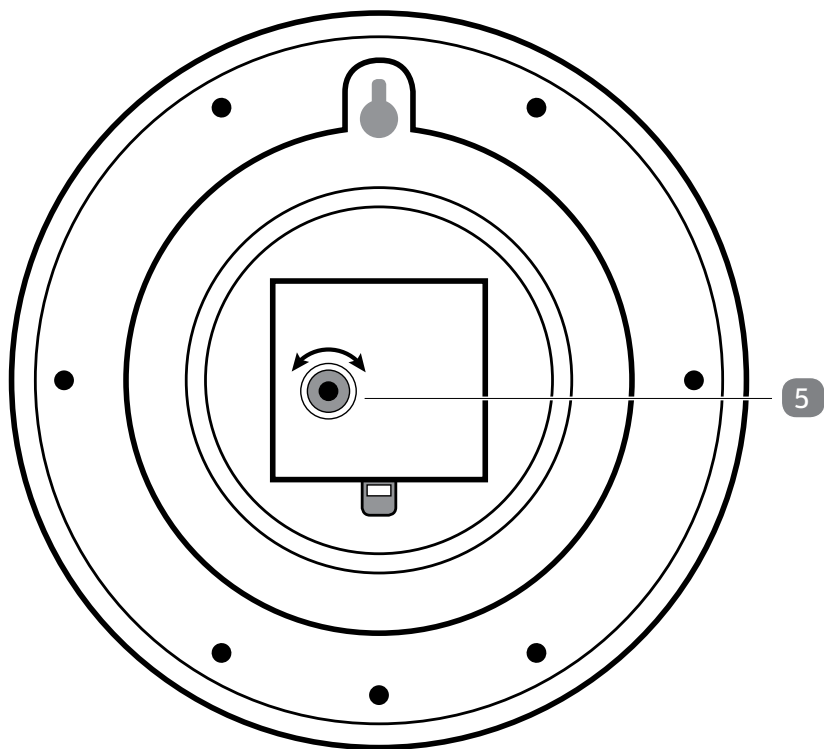
A



B



c



Pack contents/device parts

- 1 Wall clock
- 2 Battery (LR6/R6/AA 1.5 V)
- 3 Hanging hole
- 4 Battery compartment
- 5 Adjustment wheel

General information

Thank you for purchasing this colour time wall clock.

Reading and storing the user manual



This user manual accompanies this wall clock. It contains important information on how to handle the wall clock.

Carefully read through the user manual, particularly the safety instructions, before using the wall clock. Failure to comply with these instructions may result in severe injury or damage to property.

The user manual is based on the standards and rules in force in the European Union. When abroad, you must also observe country-specific guidelines and laws.

Keep the user manual for future reference. If you pass the wall clock on to third parties, be absolutely sure to include this user manual.

Explanation of symbols

The following symbols will appear in this user manual, on the wall clock or the packaging.



WARNING! This signal word advises of a risk, which may result in death or severe injury if not avoided.



NOTE! This signal word warns of possible damage to property or provides you with useful additional information regarding assembly or operation.



Declaration of conformity (see chapter “Declaration of conformity”): Products marked with this symbol fulfil the requirements of the CE Directive.



One AA 1.5 V Activ Energy alkaline battery is included.



Unpacking and checking the contents



WARNING!
Risk of suffocation!

Do not allow children to play with the packaging due to the risks of suffocation.

- Make sure that children do not play with the packaging.



NOTE!
Check to be sure!

Be very careful when unpacking. After unpacking, please check the product for any damage, in order to avoid risk of injury and accidents. Do not use the wall clock if you have any doubts. If you should have any doubts please contact our customer service helpline and refer to the warranty card for the service address.

1. Take the wall clock out of the packaging.
2. Check to make sure that the contents is complete (see **Fig. A**).
3. Check whether the wall clock exhibits damages. If this is the case, do not use the wall clock.

Safety

Proper use

The wall clock is designed for indicating the time with hour, minute and second hands. It has a quartz movement with a sweep second hand that makes no ticking sounds when moving. It is not intended for commercial use but exclusively for private use only. Any other use or modification of the device is not intended, and is prohibited as a general rule. No liability can be accepted for damage caused by improper use or incorrect operation.

Safety notes



NOTE!

Risk of damage!

If you use the wall clock improperly, you could damage it.

- Do not use the wall clock in a damp place (e. g., bathroom) and avoid dust, splashing or dripping water, heat sources, extreme temperatures and direct sunlight.
- Make sure the wall clock stays away from magnetic fields (e. g., speakers).
- Make sure no foreign objects penetrate the wall clock housing.
- Mount the wall clock on a flat wall securely with a nail or screw. The wall clock is not protected from damages caused by inappropriate wall mounting.
- Do not exert pressure on the glass surface of the wall clock, as this may cause the surface to break.
- Do not allow sharp or pointed objects to come in contact with the surface of the wall clock to avoid damages.
- Avoid the wall clock from falling. Failure to do so may break the glass surface.
- Under no circumstances should you open the housing of the wall clock. There are no user serviceable parts inside. Improper repairs may place the user in considerable danger. Repairs should only be carried out by professional personnel. The only exception is the removal of the battery compartment door to replace the battery.

Battery notes



WARNING!
Choking Hazard!

If children swallow small parts, they could choke on them.

- Batteries are small objects. Keep batteries out of reach of small children. If swallowed, consult a physician immediately.



WARNING!
Danger of explosion!

The battery must never be recharged!

- Non-rechargeable batteries are not to be recharged. Never recharge the battery that comes with the wall clock.
- The supply terminals are not to be short-circuited.
- If necessary, clean the battery and device contacts before inserting the battery.
- Battery is to be inserted with correct polarity. This is shown in the battery compartment. Incorrect installation may damage the wall clock.
- Always remove a weak, dead or exhausted battery from the wall clock. Failure to do so may increase danger of leaks.
- Do not expose batteries to direct heat or try to take batteries apart. Follow the battery manufacturer's instructions for battery use.
- Should a battery leak, the wall clock may become damaged. Clean the battery compartment immediately, avoiding contact with your skin, eyes and mucous membranes. Any parts of the body coming into contact with the battery acid should be rinsed off with water. Consult a doctor if necessary!
- Battery should be installed or replaced by an adult only.
- Keep the wall clock away from children when the battery cover is removed.
- Remove the battery from the wall clock if it is not going to be used for a prolonged period.

Handling



NOTE!
Optimal temperature

The wall clock should be used under the optimal temperature between 0 °C and 40 °C.

Installing or replacing the battery



NOTE!
Risk of damage!

Incorrect battery installation may damage the wall clock.

1. Open the battery compartment **4** on the back of the wall clock by removing the compartment door.
2. Remove the packing of the included battery (or a new battery for replacement).
3. Insert the battery into the battery compartment. For battery replacement, remove the old battery first. Pay attention to the correct battery polarity (+ to the right, – to the left) (see **Fig. B**).
4. Close the battery compartment by replacing the compartment door. The wall clock starts moving once battery is inserted.

Setting the time

Adjust the clock time by rotating the adjustment wheel **5** at the back of the wall clock (see **Fig. C**)

Hanging on wall

Hang the wall clock on a nail or screw that is fixed on the wall.

There is a hanging hole **3** on the back of the wall clock. Slip the hanging hole over the head of the nail or screw.

Cleaning

**NOTE!****Risk of damage!**

If you clean the wall clock improperly, you could damage it.

- Clean the surface of the wall clock only with a soft, slightly-moistened, and lint-free cloth. Do not use any sharp or abrasive cleaners to clean the wall clock.
- Make sure that no water droplets remain on the surface after cleaning. Failure to do so may result in permanent discoloration of the wall clock surface.

Storage

- Store the wall clock (with proper packing) under the optimal temperature between 0 °C and 40 °C.
- Remove the battery, especially if you are not going to use the wall clock for a prolonged period before storage. Keep the battery away from children.
- Store the wall clock in a dry, cool place. Avoid dust, water, extreme temperature, high humidity and direct sunlight.

Disposal

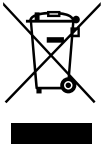
Disposing of the packaging



- Sort the packaging before you dispose of it. Dispose of cardboard and carton as waste paper and foils via the recyclable material collection service.

Disposing of old devices

(Applicable in the European Union and other European states with systems for the separate collection of reusable waste materials)



Old devices must not be disposed of with household waste!

If the wall clock can no longer be used, every user is required by law to dispose of old devices separately from their household waste, e.g. at a collection point in their community/borough. This ensures that old devices are recycled in a professional manner and also rules out negative consequences for the environment. For this reason, electrical devices are marked with the adjacent symbol.



Batteries and storage batteries do not belong in the household waste!

As the end user you are required by law to bring all batteries and storage batteries, regardless whether they contain harmful substances* or not, to a collection point run by the communal authority or borough or to a retailer, so that they can be disposed of in an environmentally friendly manner.

Turn in the complete wall clock (including the battery) at your collection point in a discharged state only!

* labelled with: Cd = cadmium, Hg = mercury, Pb = lead

Technical data

Product name:	Colour Time Wall Clock
Model:	92117/01 (black), 92117/02 (grey), 92117/03 (yellow), 92117/04 (red), 92117/05 (pink), 92117/06 (purple), 92117/07 (green), 92117/08 (blue)
Product code:	92117
Battery:	1.5 V, Type LR6/R6/AA
Diameter:	28 cm
Thickness:	Approx. 5.5 cm
Weight:	0.57 kg
Housing material:	Plastic
Clock surface material:	Glass

Declaration of conformity



The EU declaration of conformity can be requested from the address specified on the warranty card (at the end of this instruction manual).



WARRANTY CARD

COLOUR TIME WALL CLOCK

Your details:

Name _____

Address _____



_____ E-mail _____

Date of purchase* _____

* We recommend you keep the receipt with this warranty card.

Location of purchase _____

Description of malfunction:



Return your completed warranty card together with the faulty product to:

Sertronics Ltd.

Walsall Enterprise Park

Unit 45

Regal Drive

WS29HQ Walsall - West Midlands

UNITED KINGDOM

service-uk@schmidtmeister.eu

AFTER SALES SUPPORT



00800 9888 7000
(international free-call)



service-uk@schmidtmeister.eu

MODEL: 92117/01, 02, 03, 04, 05, 06, 07, 08

03/2015

PRODUCT CODE: 92117

Phone lines available Monday to Friday, 8am - 6pm.

3

YEARS
WARRANTY

Warranty conditions

Dear Customer,

The **ALDI warranty** offers you extensive benefits compared to the statutory obligation arising from a warranty:

Warranty period: 3 years from date of purchase.

Costs: Free repair/exchange or refund.
No transport costs.

ADVICE: Please contact our service hotline by phone, e-mail or fax before sending in the device. This allows us to provide support in the event of possible operator errors.

In order to make a claim under the warranty, please send us:

- together with the faulty item the original receipt and the warranty card properly completed.
- the faulty product with all components included in the packaging.

The warranty does not cover damage caused by:

- **Accident** or **unanticipated events** (e.g. lightning, water, fire).
- **Improper use** or **transport**.
- **Disregard of the safety** and **maintenance instructions**.
- Other **improper treatment** or **modification**.

After the expiry of the warranty period, you still have the possibility to have your product repaired at your own expense. If the repair or the estimate of costs is not free of charge you will be informed accordingly in advance. This does not affect your statutory rights.



Spend a little Live a lot.

Great care has gone into the manufacturing of this product and it should therefore provide you with years of good service when used properly. In the event of product failure within its intended use over the course of the first 3 years after the date of purchase, we will rectify the problem as quickly as possible once it has been brought to our attention. In the unlikely event of such an occurrence, or if you require any information about the product, please contact us via our helpline support services, details of which are to be found both in this manual and on the product itself.

PRODUCED IN CHINA FOR:

ALDI STORES LTD. PO BOX 26, ATHERSTONE
WARWICKSHIRE, CV9 2SH

ALDI STORES (IRELAND) LTD.
PO BOX 726, NAAS, CO. KILDARE.
Visit us at www.aldi.com

GB

IRE

AFTER SALES SUPPORT



00800 9888 7000
(international free-call)



service-uk@schmidtmeister.eu

MODEL: **92117/01, 02, 03, 04, 05, 06, 07, 08**

PRODUCT CODE: **92117**

03/2015