



**DVI74BP**

---

**Colour TFT LCD Monitor**  
**17" (43 cm) LCD Panel Size**

**User's Manual**

Table of Contents



<b>IMPORTANT SAFETY INSTRUCTIONS.....</b>	<b>3</b>
<b>CHAPTER 1 INTRODUCTION</b>	
1.1 Product Description.....	4
1.2 Product Features.....	4
1.3 Package Contents.....	4
1.4 Product Care.....	4
1.5 Product Dimensions.....	5
1.6 Caution.....	5
<b>CHAPTER 2 OPERATING INSTRUCTIONS</b>	
2.1 Front Control Panel.....	7
2.2 OSD Menu.....	8
2.3 OSD Function Table.....	9
2.4 Input Signal Icon.....	10
2.5 Hot Key Icon.....	10
<b>CHAPTER 3 SIGNAL CONNECTORS.....</b>	<b>11</b>
<b>CHAPTER 4 VIEWING ANGLE.....</b>	<b>12</b>
<b>CHAPTER 5 PRODUCT SPECIFICATIONS.....</b>	<b>13</b>
<b>CHAPTER 6 WARRANTY.....</b>	<b>14</b>

**IMPORTANT SAFETY INSTRUCTIONS**

1. Read these instructions.
2. Keep these instructions.
3. Note all warnings.
4. Follow all instructions.
5. Do not use this device near water.
6. Clean only with dry cloth.
7. Do not block any ventilation openings. Install in accordance with the manufacturer's instructions.
8. Do not install near any heat sources such as radiators, heat registers, stoves, or other device (including amplifiers) that produce heat.
9. Protect the power cord from being walked on or pinched particularly at plugs, convenience receptacles, and the point where they exit from the device.
10. Only use attachments/accessories specified by the manufacturer.
11. Use only with the cart, stand, tripod, bracket, or table specified by the manufacturer, or sold with the device. When a cart is used, use caution when moving the cart / device combination to avoid injury from tip-over.



12. Unplug this device during lightning storms or when unused for a long period of time.
13. Refer all servicing to qualified service personnel. Servicing is required when the device has been damaged in any way, such as power-supply cord or plug is damaged, liquid has been spilled or objects have fallen into the device, the device has been exposed to rain or moisture, does not operate normally, or has been dropped.
14. **WARNING:** To reduce the risk of fire or electric shock, do not expose this device to rain or moisture.
15. The device shall not be exposed to dripping or splashing and no objects filled with liquids, such as vases, shall be placed on the device.

SYMBOL	SYMBOL DEFINITION
 SA 1965	<b>DANGEROUS VOLTAGE:</b> The lightning flash with arrowhead symbol, within an equilateral triangle, is intended to alert the user to the presence of uninsulated 'dangerous voltage' within the product's enclosure that may be of sufficient magnitude to constitute a risk of electrical shock to persons.
 SA 1966	<b>INSTRUCTIONS:</b> The exclamation point within an equilateral triangle is intended to alert the user to the presence of important operating and maintenance (servicing) instructions in the literature accompanying the appliance.

Thank you for choosing our new generation LCD monitor. This lightweight, slim design LCD monitor includes many outstanding features and combines the benefit of a high resolution display. Your LCD monitor is safe to use and completely free from any X-ray radiation. We hope you enjoy using our product, and would like to provide the following additional information to assist you in obtaining the best results, using the product safely and in complete comfort.

Please follow ALL instructions and cautions carefully before using this product. And keep this user manual carefully for future reference.

**1.1 Product Description**

This product uses 17" colour active matrix TFT (thin-film transistor) monitor, providing high quality displayed images. The maximum achievable resolution is 1280 x 1024, which enables the display of complex and high quality images. In addition, the monitor also provides access to the new OSD (On Screen Display) controls and has a built-in multi-media speaker.

**1.2 Product Features**

1. High contrast colour TFT LCD monitor, with protective screen, supports VGA resolution up to 1280 x 1024.
2. Embedded video signal BNC terminal, S-Video terminal and Audio signal RCA Jack.
3. OSD functionality to optimise the picture.

**1.3 Package Contents**

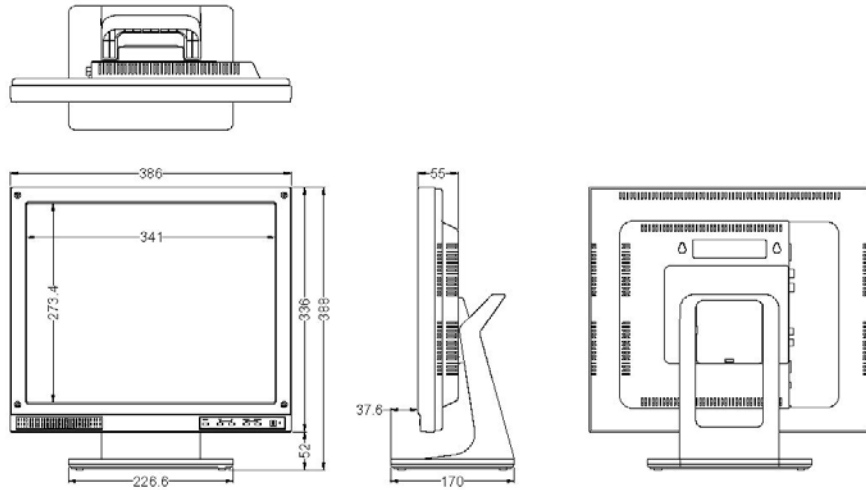
Standard package includes the following:

1. 17" TFT LCD Monitor.
2. External Power Adapter.
3. Signal Cable. (VGA Cable)
4. User Manual.

**1.4 Product Care**

1. To remove dust or dirt from the screen, use a soft clean cotton cloth and wipe gently.
2. Do not apply pressure to the screen surface while wiping.
3. Do not use any water or chemical detergent to clean the surface. Chemical detergents may damage the surface of the LCD.

## 1.5 Product Dimensions



## 1.6 Caution

### ● PRODUCT

1. Do not cover or block the ventilation holes in the back of the monitor case.
2. Do not insert any metal objects into the ventilation holes of the monitor case and be careful not to spill liquids over this product as this could result in severe injury and damage.
3. Unplug the monitor's power cable if not to be used for a long period of time.
4. Do not attempt to dismantle this product. Any attempt to dismantle or remove the covers from this product will invalidate the warranty and may also result in serious injury and damage.
5. Do not touch the screen directly with fingers. The oils from your skin may leave marks on the surface of the screen, which are difficult to remove and may damage the screen permanently.
6. Do not apply pressure to the LCD screen. The LCD is a very delicate and fragile component.

### ● MAINS PLUG (2Pin / 3Pin)

1. Do not remove the grounding or earth connection from the power supply / mains plug.
2. Always remember to unplug the LCD Monitor from the power supply under the following circumstances:

- If the monitor will not be used for a long period of time.
- If the power supply cable or plug / connector is damaged.

(Please refer to the "User Manual" when connecting and disconnecting the LCD Monitor from any power supply or other systems and before making any adjustments to the Monitor. In the event of any unexpected situation occurring while operating the Monitor please switch off the power supply and remove the power cable. If the problem is not explained in the User Manual, please contact your local dealer or our customer service department.)

- If the monitor housing is damaged or broken.

### ● POWER CORD AND SIGNAL CABLE

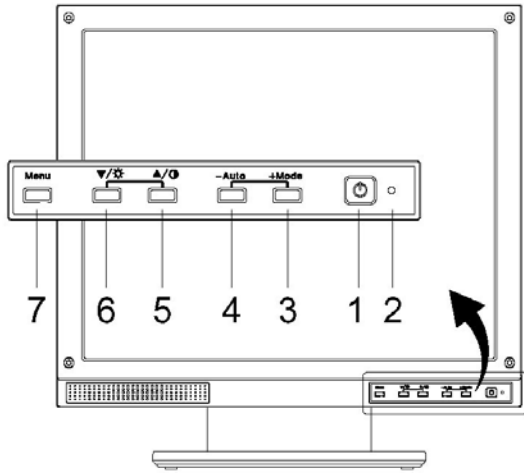
1. Do not put anything on the power cord or signal cable.
2. Do not allow any cables from the monitor to lie on the floor in an area where pedestrians are likely to trip causing injury.
3. This product is supplied with a 3 line-grounding plug. The grounding plug provides an additional safety feature for anyone using this equipment and should not be removed. Please contact a qualified electrician for assistance if the grounding plug and electrical connections appear to differ from the local supply provided. Do NOT throw away this safety-grounding plug.
4. Do not overload the power cord or adapter.
5. Do not put the power cord or signal cable in humid places.

### ● ALLOCATION ENVIRONMENT

1. DO NOT place this product on any unstable trolleys, shelves or tables as it may fall and cause severe injury and damage.
2. Always ensure that the monitor is located in a well-ventilated area to prevent the unit from overheating.
3. AVOID operating or placing the monitor in the following environments:
  - Extreme temperatures, both hot and cold.
  - High humidity.
  - Direct sunlight.
  - Excessively dusty surroundings.
  - Avoid close proximity to other equipments that generate a strong magnetic field.

# CHAPTER 2 OPERATING INSTRUCTIONS

## 2.1 Front Control Panel



1. Power Switch: Press to switch monitor on / off.
2. LED Indicator: Power indicator.
3. + / Mode:
  - ① Press to select next input signal.
  - ② Press to increase the value of OSD option selected.
4. - / Auto:
  - ① VGA signal auto adjustment.
  - ② Press to decrease the value of OSD option selected.
5. ▲ / ●
  - ① Select OSD options upwards.
  - ② Press "+" or "-" button to adjust contrast value.
6. ▼ / ☀
  - ① Select OSD options downwards.
  - ② Press "+" or "-" button to adjust brightness value.
7. OSD Menu: recall or close OSD display, enter or return selection.

## 2.2 OSD Menu

### ■ VGA Signal

1. Brightness	26
2. Contrast	26
3. H-Position	25
4. V-Position	31
5. Clock	25
6. Phase	13
7. Colour Temp.	User Colour
8. User Colour R	51
9. User Colour G	51
10. User Colour B	51
11. OSD H-Pos.	25
12. OSD V-Pos.	25
13. Volume	30
14. Language	English
15. Recall	

※ Above Values / data is for reference only.

### ■ VIDEO (S-Video) Signal

1. Color	30
2. Tint	26
3. Brightness	26
4. Contrast	26
5. Sharpness	7
6. Volume	30
7. Language	English
8. Color Temp	9300°K
9. Recall	

## 2.3 OSD Function Table

### ■ VGA

1. Brightness	Adjust back ground black level of the screen image.
2. Contrast	Adjust fore ground white level of the screen image.
3. H-Position	Adjust the left or right position of the screen image.
4. V-Position	Adjust the up or down position of the screen image.
5. Clock	Adjust the horizontal sync width of the screen image.
6. Phase	Adjust the clarity of the screen image.
7. Colour Temp.	Press (+) or (–) to choose three types of colour temperature 9300°K , 6500°K , User Colour.
8. User Colour R	Adjust the red colour's intensity of the screen image.
9. User Colour G	Adjust the green colour's intensity of the screen image.
10. User Colour B	Adjust the blue colour's intensity of the screen image.
11. OSD H-Pos.	Adjust the left or right position of the OSD.
12. OSD V-Pos.	Adjust the up or down position of the OSD.
13. Volume	Adjust the volume control.
14. Language	Select languages : English, Chinese, French, German, Spanish, Italian or Japanese.
15. Recall	Press (+) or (–) recall the default value.

### ■ VIDEO (S-Video)

1. Color	Adjust the color density.
2. Tint	Adjust the color tint. (NTSC only)
3. Brightness	Adjust back ground black level of the screen image.
4. Contrast	Adjust fore ground white level of the screen image.
5. Sharpness	Adjust the clarity and focus of the screen image.
6. Volume	Adjust the volume control.
7. Language	Select languages : English, Chinese, French, German, Spanish, Italian or Japanese.
8. Color Temp.	Press (+) or (–) to choose three types of color temperature 9300°K , 6500°K , Standard.
9. Recall	Press (+) or (–) recall the default value.

## 2.4 Input Signal Icons



VGA Signal

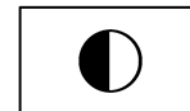


Video Signal

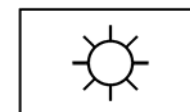


S-Video Signal

## 2.5 Hot Key Icons



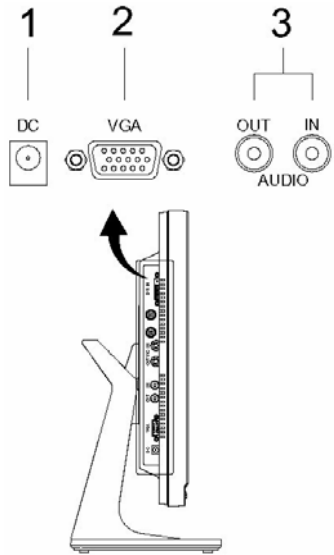
Contrast adjustment



Brightness adjustment

## CHAPTER 3 SIGNAL CONNECTORS

### Input / Output Interface



1. DC connector: Power input.
2. VGA IN: Analogue video signal input
3. Audio output / input (RCA Jack): audio output / input terminal.

#### Note :

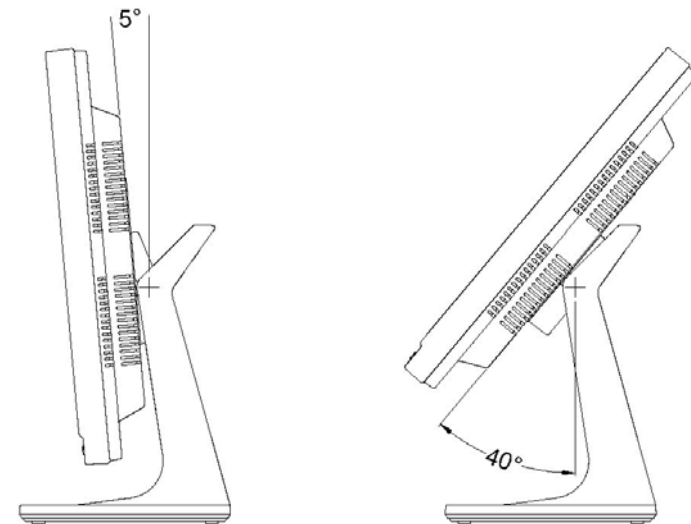
- ※ When you choose a Video signal screen without connecting any video signal, "No Signal" will be shown on the screen. If the video signal is lost during video playback, "Video Loss" will be displayed on the screen.
- ※ It takes about 2~3 seconds to change Mode.

#### Caution :

Avoid directly pulling any cables when disconnecting devices from the monitor.  
Always disconnect devices carefully by firmly gripping the metal or plastic connector body and gently easing the connector from its socket.

## CHAPTER 4 VIEWING ANGLE

The LCD display may be tilted according to viewing requirements. The display can be tilted forward up to 5 degrees or backward up to 40 degrees.



## CHAPTER 5 PRODUCT SPECIFICATION

### Active Matrix TFT LCD Monitor

ITEM	SPECIFICATIONS	
Pixel pitch (mm)	0.264 (H) x 0.264 (V).	
Max. Resolution	VGA	1280 x 1024 pixels.
	VIDEO	500 TVL
Protective Screen	Anti-reflective tempered glass screen	
Scratch Resistance	Resists scratching with a 8H pencil	
Impact Resistance	A 56g steel ball dropped in free fall from a height of 140 cm onto the centre of the screen will result in no breakage of the screen or damage to the LCD panel.	
Dimensions (mm)	386.0 (W) x 388.0 (H) x 170.0 (D).	
Packing Dimensions (mm)	519.0 (W) x 507.0 (H) x 244.0 (D).	
Display Modes	VGA	
Signal Connectors	VGA, BNC In/Out, Audio In / Out.	
Front Control Panel Buttons	Power on / off, + /Mode, - / Auto, Up (Contrast Adjust), Down (Brightness Adjust), Menu.	
OSD Menu	VGA	Brightness, Contrast, H-Position, V-Position, Clock, Phase, Colour Temp, User Colour R, User Colour G, User Colour B, OSD H-Pos, OSD V-Pos, Volume, Language, Recall.
Power Input	DC Input : 12V / 4.16A.	
Operating Conditions	Temperature : 0°C ~ 40°C, Humidity : 20% ~ 85%.	
Storage Conditions	Temperature : -20°C ~ 60°C, Humidity : 10% ~ 90%.	
Power Consumption	40W ( Max. ).	
Weight	Net Weight : 5.2kgs, Gross Weight : 7.2kgs.	

## CHAPTER 6 WARRANTY

### After Sales Service

After this product is unpacked, keep the carton and packing materials to ensure safe transportation in case of any after sales service.

The warranty is covered by a 36 months limited warranty, subject to normal conditions of use. If you experience any problems with this product, please contact your local dealer or visit the Customer Support section of Mitsubishi Electric Australia's web site at

[www.mitsubishielectric.com.au](http://www.mitsubishielectric.com.au)

### Warranty Does NOT Include:

- ✘ Any damage resulting from incorrect use or careless operation or handling of the equipment.
- ✘ Any damage caused by not operating the equipment in accordance with the manufacturer's instructions detailed in the "User Manual".
- ✘ Any tampering or removal of the Monitor housing will invalidate the warranty.
- ✘ Damages resulting from natural disasters e.g. flood, fire and earthquake.
- ✘ Any damages caused by inappropriate transportation or storage of the equipment.