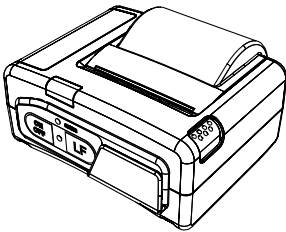


MOBILE THERMAL PRINTER

MODEL CMP-10 CMP-10BT

User's Manual



CITIZEN SYSTEMS JAPAN CO., LTD.

Declaration of Conformity

This printer conforms to the following Standards:

Low Voltage Directive (2006/95/EC) and EMC Directive (2004/108/EC)

LVD : EN60950

EMC : EN55022 Class B
 EN61000-3-2
 EN61000-3-3
 EN55024

R&TTE: EN300328

This declaration is applied only for 230V model.

For Unites States

In order to comply with FCC radio-frequency radiation exposure guidance for an uncontrolled exposure, this device and its antenna must not be co-located or operating in conjunction with any other antenna or transmitter.

This device complies with Part 15 of the FCC Rules. Operation is subject to the following two conditions: (1) This device may not cause harmful interference, and (2) this device must accept any interference received, including interference that may cause undesired operation.

For Canada

Operation of this device is subject to the following two conditions: (1) this device may not cause interference, and (2) this device must accept any interference, including interference that may cause undesired operation of the device.

This installer of this radio equipment must ensure that the antenna is located or pointed such that it does not emit RF field in excess of Health Canada limits for the general population; consult Safety Code 6, obtainable from Health Canada's web site www.hc-sc.gc.ca/rpb

GENERAL PRECAUTIONS




- Before using this product, be sure to read through this manual. After having read this manual, keep it in a safe, readily accessible place for future reference.
- The information contained herein is subject to change without prior notice.
- Reproduction or transfer of part or all of this document in any means is prohibited without permission from CITIZEN SYSTEMS.
- Note that CITIZEN SYSTEMS is not responsible for any operation results regardless of missing, error, or misprinting in this manual.
- Note that CITIZEN SYSTEMS is not responsible for any trouble caused as a result of using options or consumables that are not specified in this manual.
- Except explained elsewhere in this manual, do not attempt to service, disassemble or repair this product.
- Note that CITIZEN SYSTEMS is not responsible for any damage attributable to incorrect operation/handling or improper operating environments which are not specified in this manual.
- Data are basically for temporary use, not stored for a long period or permanently. Please note that CITIZEN SYSTEMS is not responsible for damage or lost profit resulting from the loss of data caused by accidents, repairs, tests or other occurrence.
- If you find loss of information, error, or uncertain matter, please contact your CITIZEN SYSTEMS dealer.
- If you find any disordered or missing page (s), contact you CITIZEN SYSTEMS dealer for replacement.

CITIZEN is a registered trade mark of Citizen Holdings Co., Japan
CITIZEN es una marca registrada de Citizen Holdings Co., Japón
Company names and product names in this manual are trademarks or
registered trademarks of relevant companies.
Copyright © 2011 by CITIZEN SYSTEMS JAPAN CO., LTD.

SAFETY PRECAUTIONS

About Pictogram

Precautions and notices necessary to follow for preventing hazards to the user or other person or their properties are defined as shown below. Hazards and degrees of damage that may be caused by ignoring the instructions are categorized as shown below. Please be familiar with the content of these definitions before reading this manual.

 Danger	Indicates the case that may result in death or serious injury.
 Warning	This symbol indicates that using the product improperly in defiance of this symbol may result in death or serious injury.
 Caution	This symbol indicates that using the product improperly in defiance of this symbol may result in injury or damage to properties.

Definition of Pictogram



This symbol indicates the hazard that needs precautions.



This symbol indicates prohibited actions.



This symbol indicates mandatory actions.

Precautions in Handling Printer



WARNING



- If the product is kept in use under abnormal condition such as generation of heat, smoke, or abnormal odor, a fire may occur. Immediately turn the printer power off, and contact our service agent.



- If any foreign matter (metal tip, water, liquid) enters the product, immediately turn the printer power OFF, and contact our service agent. Ignoring this instruction may result in a fire.



CAUTION



- Do not place the printer on a shaky table or other unbalanced place. The printer may drop or fall resulting in injury.
- Avoid using or storing in the following place. Damage to printer may be caused.
 - In a car parked in a sunny place, a place exposed to direct sunlight, near heat generating equipment, or the like.
 - A place where temperature or humidity is excessively high or low, or its change is radical.
 - A dusty place.
 - A place likely to get a splash of water or liquid.
- Never drop nor give strong shock or vibration. Fault or damage may be caused.
- Avoid entry of foreign material. Otherwise, fault may occur.
- Do not use volatile liquid (thinner, benzine, etc.) or wet cloth when cleaning the printer. Deterioration or discoloration may occur. Use a dry, soft cloth for cleaning.
- Do not move the printer or give any shock or vibration to it while the printer is in operation or in standby operation. The printer power may be disconnected and the print data may be lost.

Precautions on Using Printer



WARNING



- Do not touch the print head or paper cutter while replacing print paper. Heated print head may cause burn. The cutter may cause injury to the hand.



CAUTION



- Use of print paper other than specified may result in not only deteriorated print quality but shortened life of print head (printing portion).



- Do not tap or rub the print head with edged or hard material.
- When dew condensation is present on the print head, dry it completely before printing. Printing with dew condensation may damage the print head.
- Battery replacement is carried out by our sales representative. Do not replace the battery by yourself. Otherwise, the warranty is void.

Precautions on Using Battery



DANGER



- Entering battery liquid may result in loss of eyesight. Immediately wash eyes with fresh water and get medical care.
- Keep the following in mind when handling battery. Otherwise, liquid leakage, heat generation, and explosion may result.
 - Do not throw battery into fire or do not apply heat.
 - Do not peel or scratch the external tube.
 - Soldering is prohibited.
 - Do not give strong shock to battery or throw it away.
 - Do not short-circuit the positive and negative terminals with a metal such as metal wire.
- Never disassemble or modify battery. Otherwise, liquid leakage, heat generation, or explosion may occur.



WARNING



- If battery liquid attaches to skin or cloth, immediately wash it out with fresh water. Otherwise, skin disorder may be caused.



CAUTION



- Risk of explosion if battery is replaced by an incorrect type.
- Dispose of used batteries according to the instructions.



CAUTION



- Do not dip battery in water or sea water. Wet battery may generate heat or may be subject to corrosion.

- Do not use or leave battery at high temperature. Using or leaving battery in a place of high temperature may result in liquid leakage, deteriorated performance, or shortened lifetime.



- Keep battery beyond the reach of a baby or child. Pay attention not to let a child take out the battery.

- If the battery is used for the first time, be sure to charge it completely before use.

- If any abnormality is found while the battery is in use, stop the operation and carry the battery in local sales agent.

- The battery in the printer is shipped partially charged. Please fully charge the battery prior to using the printer.

Precautions on Setting Print Paper

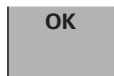


CAUTION



- Before printing, confirm that print paper is set straight forward at the exit from the print (thermal) head. Skewed setting may result in paper jamming.

- To prevent skewed insertion of paper, use the following form for the end of paper.



Precautions on Using Thermal Paper (Print Paper)



CAUTION



- Print density may change with the kind of print paper. Print density is adjusted by the Print Density Set command in Command Reference. For details, refer to Command Reference (Separate sheets).
- Observe the following when using thermal paper. Thermal paper is not resistant to discoloration, deterioration in quality, and thin printing.
 - Do not let printed thermal paper exposed to light for a long time.
 - Avoid exposure to high temperature, humidity, liquid, or sunlight.
 - When keeping the printer thermal paper on a board, do not use paste, adhesive, or adhesive tape containing volatile organic solvent.
 - For long-time storage, use thermal paper of high storage type or copy it with plain paper copier.
 - Avoid contact with a film of vinyl chloride for a long time.
 - Avoid using ammonia. Do not put thermal paper near the paper copied by use of ammonia.
 - Avoid putting sweat or grease from your hands on the surface (printed or to be printed) of thermal paper.
 - Store thermal paper in a dark place with average temperature below 25°C and relative humidity below 65% .
- Using print paper with a thickness outside the recommended range may cause improper print quality.

Precautions on Using Special Serial Cable



WARNING



- With one side of the connector connected to this product, do not touch the metal part of the other connector.



CAUTION



- Static electricity may cause breakdown of internal circuit of this product.
- Do not leave this product with a cable wound around it for a long time. Disconnection or discoloration may result.
- Plugging and unplugging the connector shall be done securely in the correct direction.

Precautions on Using AC Adapter



CAUTION



- Do not use the product at a voltage and frequency other than specified.
- Do not use AC adapter other than specified.
- Before use, confirm that the power receptacle has sufficient capacity.
- Do not connect to the power receptacle where multiple connections are used.
- Do not step on, tap, or put any object, on the cable of the AC adapter.
- Before connecting or disconnecting AC adapter, turn the printer power OFF. Do the operation securely.

THE TABLE OF CONTENTS

1. INTRODUCTION	11
1.1 Features	11
1.2 Included and Optional Accessories	12
1.3 Type Classification	12
2. GENERAL SPECIFICATIONS	13
3. EXPLANATION OF PRINTER PARTS	16
3.1 LED Indicators	16
3.2 Communication Port and Switch	17
3.3 Inside of Paper Cover	18
3.4 Buzzer	18
3.5 Bottom Surface and Battery Cover	19
3.6 Dimensions and Views	20
4. OPERATION	21
4.1 Replacing the Paper Roll	21
4.2 Method of Charging	22
4.3 Communication by IrDA	23
4.4 Communication Via Serial Port (Cable)	24
4.5 Communication by Bluetooth	25
4.6 Reading Mag Stripe Card (Only Model with Built-in Mag Stripe Card Reader)	25
4.7 DIP Switch Setting	26
4.8 Setup menu function (Firmware after Ver 2.20EN)	27
5. FUNCTION	29
5.1 Auto Power OFF	29
5.2 Interface Selection	29
5.3 Low Battery Detection	29
5.4 Monitoring the Print Head Overheating	30
5.5 Self Testing and Internal Settings	30
5.6 Print Area	30

- 6. LIST OF COMMANDS 31**
- 7. MAINTENANCE AND SERVICE 33**
- 8. APPENDIX**
 - HANDLING BELT CLIP KIT 34**
 - 8.1 How to Mount Belt Clip 34
 - 8.2 Mounting Rubber Feet 34

1. INTRODUCTION

CMP-10 is a compact, full featured portable line thermal printer, which can be used in a large variety of job environments ranging from door-to-door sales through small and mid-sized catering establishments, car-rentals, parking lots, field services to on-board sales on land, sea and air.

IrDA/Bluetooth communication with a PDA or similar device is useful for business activities at the point of sale or service.

Easily worn on the belt it is a highly efficient device for printing plain text and graphic receipts on demand plus logos, bar codes and other graphic elements.

1.1 Features

- Small and lightweight.
- High speed and low noise emission of the line thermal printing mechanism.
- Long-life printing head with high reliability.
- Easy paper-handling, owing to the paper-drop-in style.
- The large-capacity Lithium-ion rechargeable battery allows an extensive amount of printing with a single charge.
- Built-in IrDA.
- Built-in Bluetooth® function. (CMP-10BT)
- Built-in mag stripe card reader. (Option)
- Choice of paper-roll diameters – Max. 40 or 50 mm.

1.2 Included and Optional Accessories

When unpacking the package, confirm the availability of:

- Printer unit: 1 piece
- Sample paper roll: 1 roll
- AC adapter: 1 piece
- User's manual: 1 copy

E (European) model

- Belt clip kit 1 set
(Belt clip, 2 × screws, 2 × rubber feet)
Please refer to the Appendix for how to mount belt clip and rubber feet.

Optional Accessory for European model: Serial Cable CA10-01

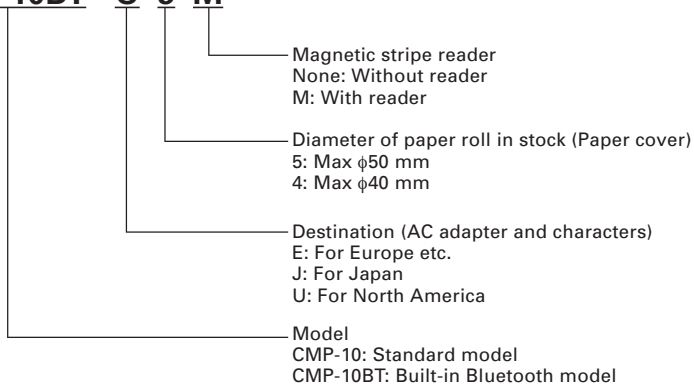
U (North America) model

- Serial Cable CA10-01

1.3 Type Classification

Classified by the following designation.

CMP-10BT - U 5 M



This user's manual is compiled for E/U destination model.

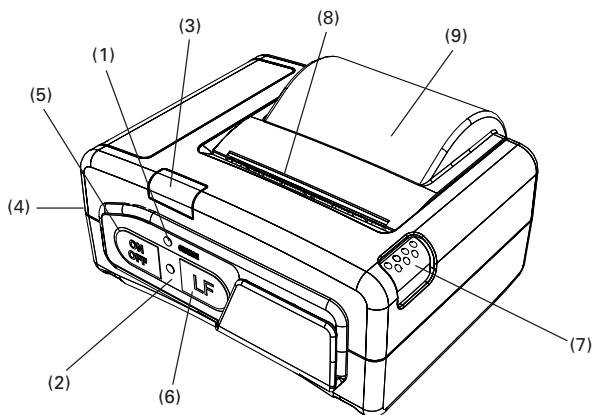
2. GENERAL SPECIFICATIONS

Feature	Parameters
Printing system	Direct thermal printing
Printing speed	50 mm/sec
Printing head	Total dots: 384 Dot density: 8 dots/mm Printing width: 48 mm
Emulation	ESC/POS commands plus extra commands for specific printer features
Characters	ASCII Code, Alphanumeric characters, International characters, Windows Code page
Characters per line	FONT A: 32 characters/line, FONT B: 42 characters/line
Dot matrix	FONT A: 12H × 24V, FONT B: 9H × 16V
Bar code type	UPC-A/E, JAN(EAN)13/8 columns, ITF, CODE39, CODE128, CODABAR, CODE93
Paper feed system	Friction feed
Paper width	58 ±0.5 mm
Paper thickness	60 - 65 μm
Recommended paper	TF50-KS-E2D (Nippon Paper)
Paper roll maximum diameter	40 mm (CMP-10-×4), 50 mm (CMP-10-×5)
Minimum core diameter	8 mm
Interfaces	IrDA version 1.0 Bluetooth version 1.2 Serial interface (by serial cable - option)
IrDA interface	Mode: Infrared transceiver mode Transport wave: Wave length - 850 to 900 nm Communication speed: 9600, 19200, 38400, 57600, 115200 bps Data length: 8 bits Start bit: 1 bit Stop bit: 1 bit Parity: none Communication: Half duplex Flow control: IrDA standard Communication distance: Max. 80 cm Supported protocol: IrComm 3 wire raw/IrLPT/IrLMP/IrLAP

Feature	Parameters
Bluetooth interface (CMP-10BT only)	Transfer method: Bluetooth 1.2 compliant Frequency: 2.4 GHz Modulation method: FH method (Frequency hopping spectrum diffusion method) Hypothetical interference distance: 10 m Transfer rate: 723.2k/57.6k bps (Transfer rate between Bluetooth module only) The communication speed between Bluetooth and the printer is 115.2kbps. Transfer capacity: Up to +4 dBm (Class 2 & Class 3) Coding: 128 bit Security level: Link Standard PIN specification: Prepared (16 digits) PIN code: Lower 4 digits of the BD address Profile: Serial Port Profile
Serial interface	Speed: 1200, 2400, 4800, 9600, 19200, 38400, 57600, 115200 bps Interface: Bidirectional serial communication Signal level: RS-232C Data length: 8 bits Start bit: 1 bit Stop bit: 1 bit Parity: None Flow control: Xon/Xoff Connector: Motorola Star Tac
Input buffer	64 KB
Mag stripe reader	Track 1, 2, 3
LED color	Power LED: GREEN and RED Charge LED: GREEN and RED
Operation switches	Power switch 1, LF switch 1
Sensors and error monitoring	Paper end sensor, Open cover sensor, Head temperature, Low battery
Power consumption	Idle - approximately 2W When printing - approximately 15W
Battery	Battery type: Li-ion battery pack Cell Voltage: 3.7 V Number of cells: 2 Battery pack voltage: 7.4 V Battery pack capacity: 2000 mAh
Battery charging time	Approximately 3 hours by main unit + AC adapter
Maximum lines printed with fully charged battery	30,000 lines (At temperature 20°C, standard setting, alphanumeric slide pattern printing. The number of lines may be changed by such condition as temperature, etc.)

Feature	Parameters
Power supply monitoring	Auto Power OFF (programmable - from 1 to 60 min.) Low battery monitoring included.
AC adapter	Model: 10AD-JU (for Japan, USA, and Canada) 10AD-E (Europe) Input voltage 90 V - 264 V AC Output voltage 9.0 V DC 1.0 A
Operating environment	Temperature: 5 – 40°C Humidity: 35 – 80% RH (No dew condensation)
Storage environment	Temperature: –20 – 60°C Humidity: 10 – 90% RH (No dew condensation)
Reliability	Print head: 100,000,000 pulses or 50km (Normal temperature, 12.5% density, rated energy) Mechanism: 15,000,000 lines
Safety standard and EMI	UL, c-UL, TUV, GS, PSE (AC Adapter only) Vccl B, CE Marking, Fcc B
Dimensions	116 (W) × 104 (D) × 63 (H) mm (50 mm paper cover + Mag stripe reader)
Weight	Approx. 370 g (with battery and belt clip without paper)
Options	Serial Cable, Mag Stripe card reader (Factory option)

3. EXPLANATION OF PRINTER PARTS



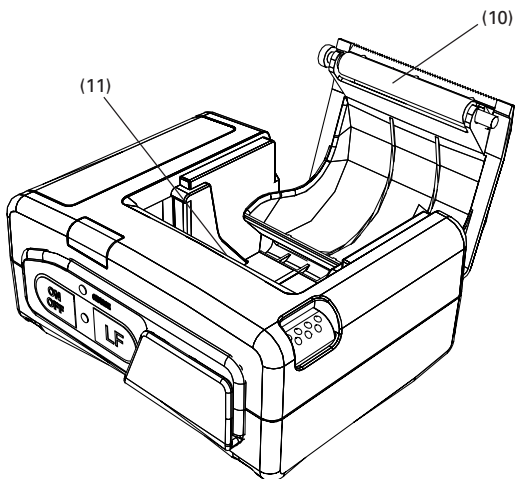
3.1 LED Indicators

- (1) Charge LED
RED on: Battery is charging
GREEN on: Battery is Fully charged
- (2) Power (Error) LED
GREEN on: Lights when printer is powered ON.
RED/GREEN blinks fast: No paper or cover open.
RED/GREEN blinks slow: Print head is overheated or macro is in process and awaiting LF switch operation.
Red on: Lights red under the following condition.
- When LF switch is pressed
 - When waiting for reading mag stripe card (When card reading is finished or after 10 seconds, it lights green.)
 - While pressing and holding the Power switch to turn the printer off (When releasing the switch after the LED changes to green, the printer power is turned OFF.)
- The LED will light red momentary at the time of IrDA communication.

3.2 Communication Port and Switch

- (3) IrDA interface unit
Receives data from host and transmits printer status.
For communication with IrDA communication, refer to 4.3.
- (4) Serial port
For serial cable (option) connection to host.
For the method of communication with cable and connecting cable, refer to 4.4.
- (5) Power switch (ON/OFF)
Press and hold the Power switch for 1 second to turn the printer power ON.
To turn OFF the printer, press and hold the Power switch till the Power LED changes from red to green.
- (6) Line feed switch (LF)
Press once for 1 line paper feed.
Press down and hold for continuous paper feed to any required length.
If print data still remains in the printer when printing is suspended due to no paper or the like, recover the printable condition and then press this switch to resume printing.
- (7) Open cover switch
Press down to open the paper cover (9) for replacing the paper roll.
- (8) Manual cutter
To cut the printed paper, gently pull the paper from the edge of the paper at the angle so that paper firmly contacts the manual cutter.
Improper direction of pull may result in poor cutting or excessive unwinding of paper, or opening the cover. In some case, characters may be destroyed at the first printing after the paper is cut.
- (9) Paper cover
Set print paper inside this cover.

3.3 Inside of Paper Cover



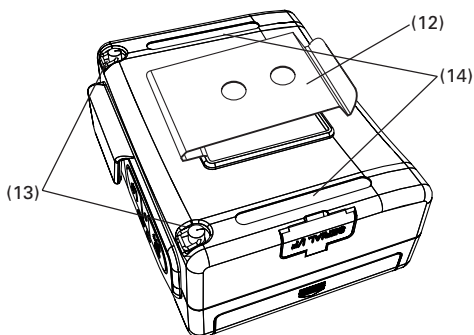
- (10) Paper feed roller
Feeds paper through the printing mechanism.
- (11) Printing (thermal) head
Records print data on the thermal paper.

3.4 Buzzer

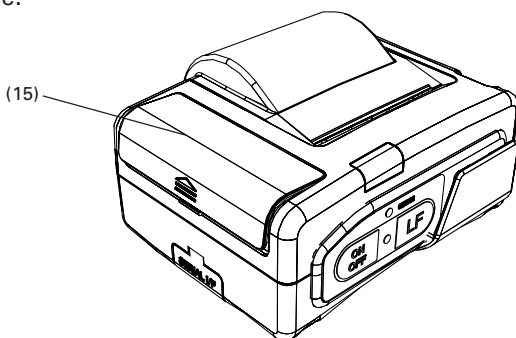
The built-in buzzer sounds in the following cases.

- When low battery is detected (sounds 3 times)
- When magnetic card was successfully read (sounds once)
- When buzzer command is sent (the number of sounding times is controllable)

3.5 Bottom Surface and Battery Cover



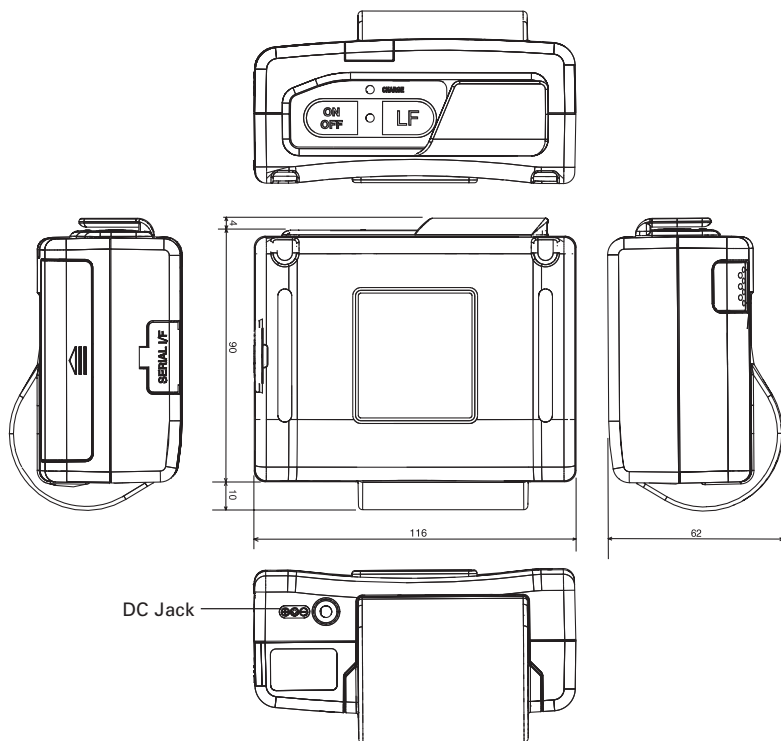
- (12) Belt clip
Attaches to the printer on your belt.
(Not installed at the time of shipment. To use the belt clip, please install the belt clip by yourself.)
- (13) Strap holder
Metals for holding a strap.
(The strap shall be prepared by the user.)
- (14) Groove for rubber foot
If you want to use rubber feet for stationary use, attach rubber feet here.



- (15) Battery cover
Cover of battery compartment

3.6 Dimensions and Views

(Unit: mm)



4. OPERATION

4.1 Replacing the Paper Roll

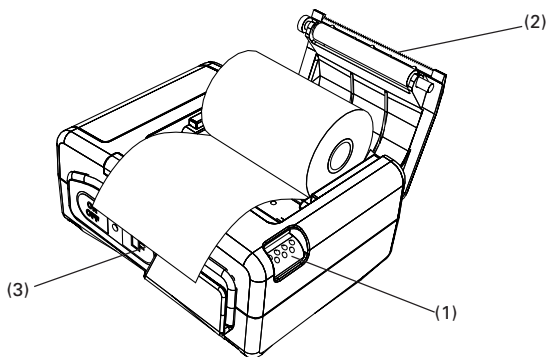
Press Cover Open switch (1).

Open Paper Cover (2).

Place the new paper roll as shown on illustration and pull out enough paper to reach the control panel of the printer (3).

Close the Paper Cover.

If data to be printed still exists, press the LF switch to resume printing.



CAUTION!

Be sure to use specified thermal paper rolls!

Make sure that the paper is correctly placed.

If print paper is tilted in one direction or another and does not come out straight from under the cover, open the cover and set the paper roll again.



WARNING

When the paper cover is open, use care not to touch the print head or manual cutter. Burn or cutting hand may result.

4.2 Method of Charging

If any of the following conditions occur, charging the battery is required.

- “Low Battery” is printed.
- The buzzer sounds 3 times.

To charge the battery, plug the connector of the AC adapter to the DC jack of the printer and the AC adapter to the AC outlet. The charge LED lights red. If the LED changes to green, charging has completed.

In case of a trouble while charging the battery, the charge is suspended with blinking of charge LED in red. Try unplugging and plugging AC adapter, then charge should resume and charge LED changes to continue to light red.



CAUTION!

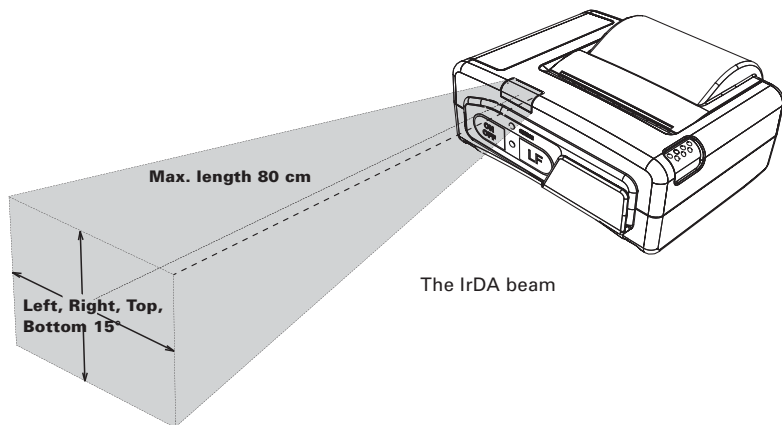
- Charge the battery at room temperature (5 - 35°C).
- After completion of battery charging, do not try recharging. Battery performance may be deteriorated.
- If printer is kept used with recharging battery, the life of battery may be shortened.
- After completion of battery charging, if the AC adapter is kept connected, charging battery does not restart automatically even the battery level becomes low. To restart charging battery, condition of charging battery needs to be stopped by the way such as disconnecting AC adapter from AC inlet or disconnecting AC adapter from DC jack.
- When the battery is used in a cold environment, the operation time may be shortened.
- If the operation time is excessively shortened even after full charging, battery life may be assumed.

4.3 Communication by IrDA

For IrDA communication, DIP switch setting needs to be set for IrDA. Set the infrared port of the device to face straight to the printer's infrared port.

Communication is available in the range of 15° up, down, left, and right.

Avoid blocking between the printer and the device to be connected. Otherwise, data may not be sent correctly.



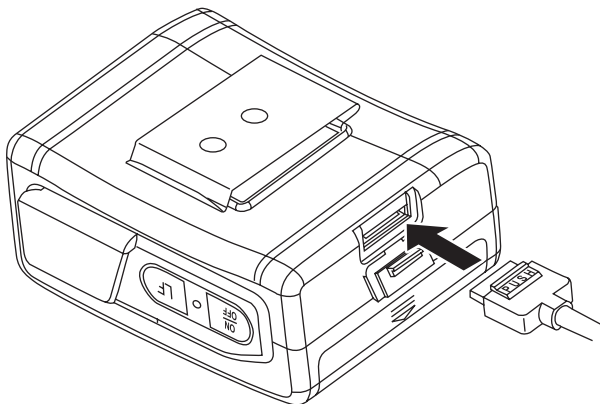
CAUTION!

- Communication in a place exposed to strong light such as direct sunlight and fluorescent lighting may fail in receiving correct data.
- Communication may fail in receiving correct data after leaving the printer unused for a long time in other than storage temperature.
- The range of communication may differ depending on the device used or the environmental condition.
(Communication may be disabled even within the range given in the specification.)

4.4 Communication Via Serial Port (Cable)

For communication via serial (RS-232C) interface, use Citizen CA10-01 serial cable.

When the printer is OFF, open the serial port rubber cover and while holding the connector with the "PUSH" sign facing upward, gently insert the connector into the serial port.



Connect the other end of the cable to the device to be connected.

To disconnect serial cable from the printer firmly press "PUSH" sign on the connector and remove it from the serial port.

Push serial port rubber cover back into the serial port till it fits in firmly.



CAUTION!

If the cable is connected with Power ON, turn the Power OFF once and then turn the Power ON again to activate the connection with serial cable.

Set the flow control setting of the device to be connected to Xon/Xoff. In case of hardware control (DTR/DSR control), the Power switch may become disabled.

4.5 Communication by Bluetooth

For the Bluetooth communication, it is necessary to choose CMP-10BT and set the DIP switches for Bluetooth.

As built-in Bluetooth module supports Serial Port Profile, host machine needs to communicate with CMP-10BT based on serial port profile. Please refer to the software manual of the host machine for the details. When CMP-10BT connects through the Bluetooth interface, the host machine may require a pin code. The last 4 characters of the Bluetooth Address that prints on the printer self test are the pin code that should be entered in to the host machine.

4.6 Reading Mag Stripe Card (Only Model with Built-in Mag Stripe Card Reader)

To read the mag stripe card, it is necessary to send a special command to the printer.

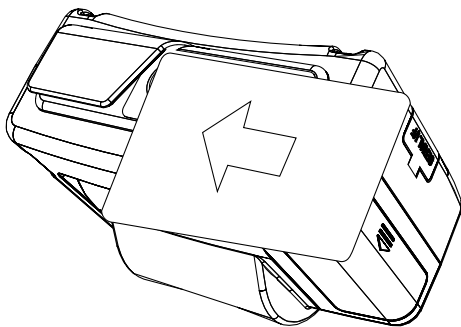
For the command, refer to Command Reference supplied separately. If mag stripe card command is entered, Power LED lights red.

While the Power LED continues to light for 10 seconds, swipe the card be read during that time.

If 10 seconds has passed or reading is completed, the printer returns to normal mode.

Slide the card with the magstriped surface down to pass the magstripe over the reader part.

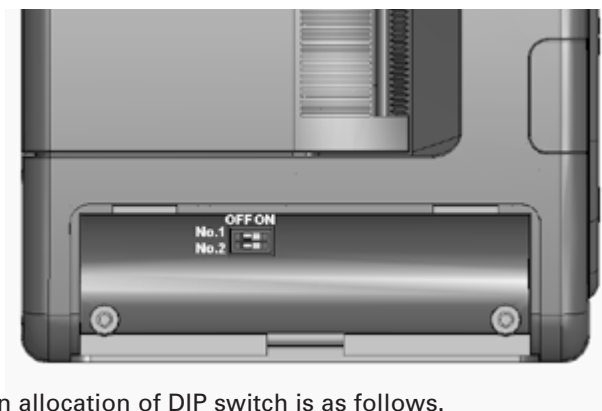
When reading has completed, buzzer sounds momentarily and Power LED changes to green.



4.7 DIP Switch Setting

Either Bluetooth or IrDA function of CMP-10BT have to be chosen by DIP switches.

DIP switches are located under the battery.



Function allocation of DIP switch is as follows.

	No. 1	No. 2
Bluetooth	ON	ON
	ON	OFF
	OFF	ON
IrDA	OFF	OFF

* Default setting of CMP-10BT

There are no “No. 1”, “No. 2”, “ON” or “OFF” signs on actual case like the above drawing.

Standard CMP-10 does not have Bluetooth function and has no DIP switches.



CAUTION!

- Do not remove the battery cover or do not replace the battery by yourself. If you think that battery replacement will be necessary, contact our sales representative.

4.8 Setup menu function (Firmware after Ver 2.20EN)

Make sure the printer power is off. Press ON/OFF switch and keep pressed for about 5 seconds until .LED is changed to red and leave the switch. Then buzzer beeps and printer prints current setting and goes to setup menu as follows.

Example

```
DISCOVERABILITY:      YES
PAIRING INFO SAVING:  YES
MEMORY SWITCHES:     00000000
BAUD RATE:           9600
POWER OFF TIME:      10 min
PRINT DENSITY:       100%
MAX IrDA SPEED 57600: NO

      SETUP MENU
<ON/OFF> - NO, <LF> - YES

CHANGE DISCOVERABILITY ?
```

The setting can be done by choosing **NO (ON/OFF switch)** or **YES (LF switch)** against coming up questions .

During the menu setting, if YES is chosen somewhere, following question comes up at the end of setup menu

SAVE SETTINGS ?

If you want to save the changed setting, choose YES here and if not, choose NO.

If YES is not chosen, the new setting will not be effective.

Setup menu ends with Power off in any case.

The list of choice in the setup menu

(**Bold** items is default value.)

Top question items	Additional questions	YES (LF Switch)	NO (ON/OFF Switch)
CHANGE DISCOVERABILITY ?	SET DISCOVERABILITY ON ?	Discoverability ON	Discoverability OFF
CHANGE PAIRING INFO SAVING ?	PAIRING INFO SAVING ON ?	Enable Pairing Info Saving	Disable Pairing Info Saving
CHANGE MEMORY SWITCHES ? (See the table below)	SET SWITCH 1 ? SET SWITCH 2 ? SET SWITCH 3 ? SET SWITCH 4 ? SET SWITCH 5 ? SET SWITCH 6 ? SET SWITCH 7 ? SET SWITCH 8 ?	Memory switch 1 = 1 Memory switch 2 = 1 Memory switch 3 = 1 Memory switch 4 = 1 Memory switch 5 = 1 Memory switch 6 = 1 Memory switch 7 = 1 Memory switch 8 = 1	Memory switch 1 = 0 Memory switch 2 = 0 Memory switch 3 = 0 Memory switch 4 = 0 Memory switch 5 = 0 Memory switch 6 = 0 Memory switch 7 = 0 Memory switch 8 = 0
CHANGE BAUD RATE ?	1200 bps ? 2400 bps ? 4800 bps ? 9600 bps ? 19200 bps? 38400 bps? 57600 bps? 115200 bps?	Baud rate 1200 bps Baud rate 2400 bps Baud rate 4800 bps Baud rate 9600 bps Baud rate 19200 bps Baud rate 38400 bps Baud rate 57600 bps Baud rate 115200 bps	Not choose this baud rate
CHANGE AUTO POWER OFF TIME ?	5 min ? 10 min ? 15 min ? 20 min ? 25 min ? 30 min ? 45 min ? 60 min ?	Auto power off 5 min Auto power off 10 min Auto power off 15 min Auto power off 20 min Auto power off 25 min Auto power off 30 min Auto power off 45 min Auto power off 60 min	Not choose this time length
CHANGE PRINT DENSITY ?	70 % ? 80 % ? 90 % ? 100 % ? 120 % ? 150 % ?	70 % density 80 % density 90 % density 100 % density 120 % density 150 % density	Not choose this density
CHANGE IrDA MAX SPEED ?	LIMIT SPEED TO 57600 bps ?	IrDA Max speed 57600 bps	IrDA Max speed 115200 bps

"CHANGE DISCOVERABILITY ?" and "CHANGE PAIRING INFO SAVING ?" are shown when Bluetooth function is available.

Memory switches

	Item	OFF(0)	ON(1)
1	Shape of zero	With slash	No slash
2	CR code	Ignored	Works as LF
3	Default font	Font A	Font B
4	Print "Low Battery"	Valid	Invalid
5	Auto Status Back	Invalid	Valid
6	Not defined	-	-
7	IrDA Protocol	Valid	Invalid (Not recommended)
8	No use	-	-

5. FUNCTION

5.1 Auto Power OFF

Power is automatically cut off after a specified period of time, during which no command is sent to the printer and the LF switch has not been pressed.

The default setting of this time duration is 10 minutes, however, the period can be custom set by the user with a special command to the printer. (see Command Reference List)

The behavior of the printer at the operation of Auto Power OFF is the same as that when power is turned OFF by the Power switch.

5.2 Interface Selection

The interface is automatically selected depending on the presence or absence of connection to the serial port with a serial cable connector.

- At POWER ON, no cable is connected, the IrDA/Bluetooth interface is selected.
- At POWER ON, the cable is connected, the Serial interface is selected.



CAUTION!

If cable is connected with printer power ON, selecting IrDA/Bluetooth interface remains valid. If you want to use the serial interface, turn the printer power OFF once, connect the serial cable, and then turn the printer power ON again.

5.3 Low Battery Detection

Battery charge level is monitored at Power ON, before paper feeding, and before printing.

When the buzzer sounds three times or “Low Battery” is printed, immediately charge the battery.

5.4 Monitoring the Print Head Overheating

If the temperature exceeds 65°C for some reason, the printer automatically stops printing with Power LED indication of “Error” to protect the print head.

If the head temperature returns to 60°C or below, the printer is ready for printing.

5.5 Self Testing and Internal Settings

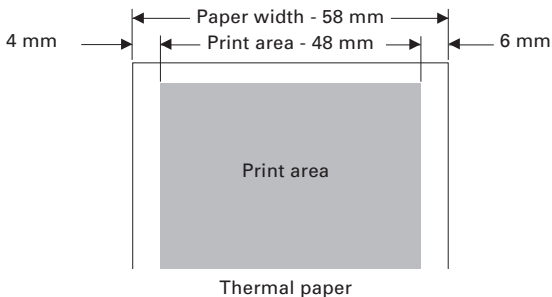
- Keep the LF switch pressed down.
- Press the ON/OFF switch down.
- Release the ON/OFF switch.
- Release the LF switch.

Immediately after releasing the LF switch the printer will print out a SELF TEST report.

At the end of the report, density, auto-power off time, head temperature, battery output voltage, communication mode, baud rate (for serial communication) are printed.

The number of marks * in the parentheses aside battery output voltage shows a level of battery charge in 5 steps.

5.6 Print Area



6. LIST OF COMMANDS

1	BEL	Sounds the Buzzer	*
2	HT	Horizontal Tab Command	
3	LF	Printing and Paper Feed Command	
4	CR	Print one line Command	
5	ESC RS	Sounds the Buzzer	*
6	ESC SP	Setting the right space amount of the character	
7	ESC !	Collective Specifying Printing Mode	
8	ESC \$	Specifying the Absolute Positions	
9	ESC %	Specifying/Canceling Download Character Set	
10	ESC &	Define user characters	
11	ESC *	Specifying the Bit Image Mode	*
12	ESC +	Switch OFF the printer	*
13	ESC -	Specifying/ Canceling Underline	
14	ESC .	Printer self test	*
15	ESC 2	Specifying 1/6-inch line feed rate	
16	ESC 3	Setting line feed rate of minimum pitch	
17	ESC =	Data Input Control	
18	ESC >	Saving current setting	*
19	ESC ?	Reading magnetic stripe reader	*
20	ESC @	Initializing the Printer	
21	ESC D	Setting Horizontal Tab Position	
22	ESC E	Specifying/canceling highlighting	
23	ESC G	Specifying/canceling Double Printing	
24	ESC J	Printing and feeding paper n/203 inch	
25	ESC R	Selecting Code table	
26	ESC S	Setting serial interface communication speed	*
27	ESC T	Printing Diagnostic information	*
28	ESC V	Specifying/Canceling 90°-right- turned Characters	
29	ESC Y	Specifying print density	*
30	ESC Z	Returning diagnostic information	*
31	ESC \	Specifying the relative positions	
32	ESC _	Setting the printer in default state	*
33	ESC `	Returning the battery voltage and Printer Head temperature	*

34	ESC a	Aligning the characters	
35	ESC c5	Enabling/Disabling Panel Switches	
36	ESC d	Printing and Feeding the paper by n lines	
37	ESC v	Transmitting the printer status	
38	ESC x	Selecting the time interval for automatically switching Off the printer	*
39	ESC {	Specifying/Canceling the Inverted Characters	
40	GS)	Setting of printer flags	*
41	GS *	Defining the Download Bit Image (LOGO)	*
42	GS /	Printing the Download, Bit Image	
43	GS :	Starting/Ending Macro Definition	
44	GS H	Selecting of Printing Position of HRI Code	
45	GS L	Setting the left margin	
46	GS W	Setting the print area width	
47	GS ^	Executing the Macro	
48	GS a	Enabling/Disabling ASB (Automatic Status Back)	
49	GS f	Selecting the font of HRI characters	
50	GS h	Selecting the height of the Bar Code	
51	GS k	Printing the bar code	
52	GS w	Selecting the horizontal size (Scale factor) of the Bar Code	
53	GS z	Saving AT command sequences to send to Bluetooth module	*
54	ESC l	Specify/canceling black mark function	*
55	FF	Printing and paper feeding to the black mark position	

* indicates a unique command or a non-compatible command.

7. MAINTENANCE AND SERVICE

For the information on maintenance and service, please contact our dealer.

8. APPENDIX

HANDLING BELT CLIP KIT

This kit consists of a belt clip, two screws, and two rubber feet.

8.1 How to Mount Belt Clip

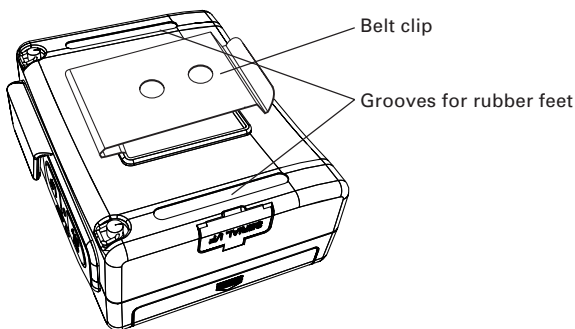
Mount the belt clip in the square frame using the two screws supplied. The direction of the belt clip should be as per the drawing below.

Note: Do not use screws without mounting the belt clip. The screws when mounted alone reach too deep and may come in contact with the internal circuit board and cause a failure.

8.2 Mounting Rubber Feet

Confirm that the grooves for the rubber feet are clean and neither dust nor oil is present on the grooves for rubber feet.

Peel off the liner sheet of the adhesive seal for rubber foot and carefully fit the rubber foot to the groove. Press and hold to secure the rubber foot.



WEEE MARK

- En** If you want to dispose this product, do not mix with general household waste. There is a separate collection systems for used electronics products in accordance with legislation under the WEEE Directive (Directive 2002/96/EC) and is effective only within European Union.
- Ge** Wenn Sie dieses Produkt entsorgen wollen, dann tun Sie dies bitte nicht zusammen mit dem Haushaltsmüll. Es gibt im Rahmen der WEEE-Direktive innerhalb der Europäischen Union (Direktive 2002/96/EC) gesetzliche Bestimmungen für separate Sammelsysteme für gebrauchte elektronische Geräte und Produkte.
- Fr** Si vous souhaitez vous débarrasser de cet appareil, ne le mettez pas à la poubelle avec vos ordures ménagères. Il existe un système de récupération distinct pour les vieux appareils électroniques conformément à la législation WEEE sur le recyclage des déchets des équipements électriques et électroniques (Directive 2002/96/EC) qui est uniquement valable dans les pays de l'Union européenne. Les appareils et les machines électriques et électroniques contiennent souvent des matières dangereuses pour l'homme et l'environnement si vous les utilisez et vous vous en débarrassez de façon inappropriée.
- Sp** Si desea deshacerse de este producto, no lo mezcle con residuos domésticos de carácter general. Existe un sistema de recogida selectiva de aparatos electrónicos usados, según establece la legislación prevista por la Directiva 2002/96/CE sobre residuos de aparatos eléctricos y electrónicos (RAEE), vigente únicamente en la Unión Europea.
- It** Se desiderate gettare via questo prodotto, non mescolatelo ai rifiuti generici di casa. Esiste un sistema di raccolta separato per i prodotti elettronici usati in conformità alla legislazione RAEE (Direttiva 2002/96/CE), valida solo all'interno dell'Unione Europea.
- Du** Deponer dit product niet bij het gewone huishoudelijk afval wanneer u het wilt verwijderen. Er bestaat ingevolge de WEEE-richtlijn (Richtlijn 2002/96/EG) een speciaal wettelijk voorgeschreven verzamelsysteem voor gebruikte elektronische producten, welk alleen geldt binnen de Europese Unie.
- Da** Hvis du vil skille dig af med dette produkt, må du ikke smide det ud sammen med dit almindelige husholdningsaffald. Der findes et separat indsamlingsystem for udtjente elektroniske produkter i overensstemmelse med lovgivningen under WEEE-direktivet (direktiv 2002/96/EC), som kun er gældende i den Europæiske Union.
- Por** Se quiser deitar fora este produto, não o misture com o lixo comum. De acordo com a legislação que decorre da Directiva REEE - Resíduos de Equipamentos Eléctricos e Electrónicos (2002/96/CE), existe um sistema de recolha separado para os equipamentos electrónicos fora de uso, em vigor apenas na União Europeia.
- Pol** Jeżeli zamierzasz pozbyć się tego produktu, nie wyrzucaj go razem ze zwykłymi domowymi odpadkami. Według dyrektywy WEEE (Dyrektywa 2002/96/EC) obowiązującej w Unii Europejskiej dla używanych produktów elektronicznych należy stosować oddzielne sposoby utylizacji.



CITIZEN SYSTEMS JAPAN CO., LTD.

6-1-12, Tanashi-cho, Nishi-Tokyo-shi Tokyo, 188-8511, Japan

Tel: +81 (0) 42 468 4608 Fax: +81 (0) 42 468 4996

<http://www.citizen-systems.co.jp>

PJ74701-01F

3.01E-1104