



HOTSPOT
TITANIUM

3-in-1 tap

User and installation manual

The Inventum HotSpot 3-in-1 tap

With the purchase of HotSpot 3-in-1 tap you have bought a safe and reliable quality product. In combination with an HotSpot 4 or 8 liter Titanium boiler, this boiling water tap provides you with boiling water at constant temperature as well as hot and cold tap water like every kitchen faucet. The IntelliProtect system ensures safety.

Certificate of conformity

Inventum B.V. is an ISO 9001 certified company.

Inventum B.V. declares that the tap listed on the front is in accordance with:

- 2006/95/EC Low voltage directive
- 2004/108/EC EMC guideline

Harmonised standards:

EN 60335-1
EN 60335-2-21
EN 50082-1

Houten, 29 June 2014

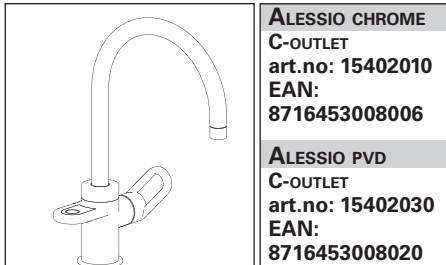


Fig. 1.1 The HotSpot ALESSIO 3-in-1 tap

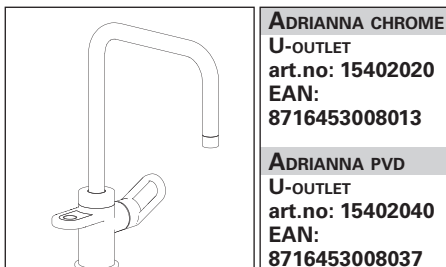


Fig. 1.2 The HotSpot ADRIANNA 3-in-1 tap

CONTENTS

USER MANUAL

	Certificate of conformity	2
1	Use of the manual	3
1.1	Application	3
1.2	Warranty	3
1.3	Liability	3
2	Scope of delivery	4
2.1	Packaging contents	4
3	Operation	4
4	Maintenance	5
4.1	Cleaning	5
4.2	The tap	5
5	Malfunctions	5
6	End of service life	5

INSTALLATION MANUAL

7	Installation	7
	steps 1 t/m 9	7

User manual images

Fig. 1.1	HotSpot Alessio 3-in-1 tap	2
Fig. 1.2	HotSpot Adrianna 3-in-1 tap	2
Fig. 3.1	Indicator lamp	4
Fig. 7.1	Installing the tap to work top	6
Fig. 7.2	Attaching hose to boiling water tap	6
Fig. 7.3	Installing the retaining clip	6
Fig. 7.4	Connecting wire to boiler connector	6

© 2014

No part of this publication may be reproduced and/or made public by means of print, photocopy, microfilm or by any other means whatsoever, without prior consent of Inventum B.V. This is also applies to the associated illustrations.

1 Use of the manual

This manual is intended as a reference for the end user and the installation technician. Using this manual, the HotSpot 3-in-1 tap may be installed safely. Store this manual carefully, you may need to use it in the future.

Inventum has prepared this manual with care. However, no rights may be derived from it. In connection with continuous product innovation, Inventum reserves the right to change the specifications at all times and without prior notice.

1.1 Application

The tap should be connected to an Inventum HotSpot boiler and may only be used in combination with an HotSpot boiler. Any other or further use is not in accordance with the designated use. Only install and use the tap in perfect condition.

1.2 Warranty

This tap has been manufactured with great care and is warranted by Inventum for free of charge repair of all materials and/or construction faults.

Warranty provision

The responsibility for the implementation of warranty rests primarily with the installer or supplier where the HotSpot 3-in-1 tap was purchased. Therefore always consult your installer or supplier.

Warranty period

- 10 years corrosion warranty on the titanium inner tank (without accessories);
- 2 years* on the other parts.

* See www.inventum.com for more details

Warranty conditions

- When claiming under the warranty, the model of the tap should be mentioned.
- The purchase invoice indicating the date of purchase must be submitted.
- Immediately after purchase the warranty card must be completed and returned to Inventum B.V.

The warranty applies only if:

- There are material and construction faults (all this at the discretion of the manufacturer);
- the tap is installed, used and maintained according to this installation manual;

- no constructive changes or modifications have been made to the tap;
- the defect is not a consequence of own fault, negligence or improper use.

Warranty exclusions

- Labour costs;
- Call-out charges;
- Shipping costs;
- Administration costs;
- Transport damage;
- Secondary damage such as fire damage, water damage or bodily injury.
- In areas with a water hardness above 12 °DH, Inventum recommends the use of a filter with water softener. In areas with water hardness above 14 °DH Inventum states the use of a water softener with ion exchanger as a warranty condition!

* DH = German Hardness

Service

You should always contact your installer or supplier if you have problems with the installation and/or the operation of the tap. To order service parts please contact Inventum.

N.B.

The failure of one or more components in no way justifies the replacement or return of the entire tap. All relevant components can be obtained at short notice

1.3 Liability

Neither Inventum B.V. nor your installer/retailer accept any liability for damage or bodily injury of any kind resulting from:

- failure to follow the instructions in this manual;
- carelessness during installation, use, maintenance and repair of the system;
- use not in accordance with the application;
- the use of components not supplied by the manufacturer;
- consequential damage due to leakage.




The HotSpot 3-in-1 taps only operate with an original HotSpot boiler. See the user and installation manual of the boiler.

2 Delivery

2.1 Packaging contents

In addition to your HotSpot boiler you also have an HotSpot 3-in-1 tap in a separate package. This includes the following:

- 1) An HotSpot 3-in-1 tap fitted with hose and control cable.
- 2) A chromed slipring with O-ring.
- 3) A steel pressure ring with rubber packing.
- 4) Two nuts for mounting the tap.
- 5) A user and installation manual for the tap.




To avoid dangerous situations, both the HotSpot boiler and the HotSpot 3-in-1 tap should be installed according to the accompanying installation instructions* by a qualified specialist.

** The installations instructions can be found at the back of this book (Chapter 7).*

3 Operation

The unique HotSpot 3-in-1 tap operates with an electronic control button in order to allow the water to flow from the tap. The IntelliProtect system ensures safety by a completely safe low voltage.

The tap housing and the outlet will maintain a low temperature, even if you tap water for a longer time.



This appliance is not intended for use by persons (including children) with physical, mental and/or visual impairments, or lack of knowledge, unless supervised to that end by a competent person.

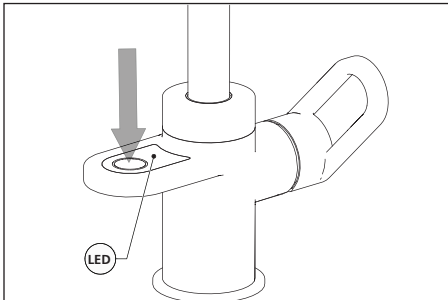


Fig. 3.1 Indicator lamp

In addition to the electronic control button there is an (LED) indicator lamp (see fig. 3.1). As soon as the electronic control button is pressed, this LED lights up continually. After a delay of 0.5 seconds the tap (*) opens and the indicator LED flashes.

If the pan fill option is selected, the indicator light steadily lights after 10 seconds to indicate that the water will run when the button is released.

The water stops flowing immediately if the push button is pressed again.

(*) IntelliProtect level 1, see for the settings of the protection the manual of the boiler.

- Avoid large forces and loading of the tap outlet.
- In connection with risk of burning, adjusting the tap outlet during tapping is not recommended.
- Holding the tap outlet just above the object to be filled is recommended; this limits the cooling down of the water, splashes and formation of steam.



Do not use plastic (disposable) cups to collect the boiling water. These cups are often not resistant to the high temperature!



A cup, glass or pan filled with water from the HotSpot will become very hot in a short time! Bear this in mind, use protection such as oven gloves or pot-gloves.



You should always be careful with the boiling water from the tap! Danger of scalding from direct skin contact!



Cups with a concave bottom must be carefully placed under the stream to prevent boiling water from running over the edge.



Have your HotSpot 3-in-1 tap descaled annually (Chapter 4 - Replacing Aerator) if you live in an area with waterhardness higher than 12 °DH.

4 Maintenance

Have your HotSpot 3-in-1 tap descaled annually if you live in an area with waterhardness higher than 12 °DH.



Make sure that, when cleaning or performing maintenance, the boiling water function of the faucet is not operated.

4.1 Cleaning

Both the boiler housing and the tap are easily cleaned with a soft cloth.

Do not use any aggressive or abrasive cleaning agents.

4.2 The tap

Depending on use and the hardness of the water, limescale may develop in the outlet of the tap. If the water flow is less than 2.2 liters per minute, you should clean the outlet or replace the mousseur. These mousseurs are available at Inventum. Replacement is simple:

Replacing the cartridge

1. Remove the small cap at the bottom of the control lever;
2. Unscrew the adjustment screw in the control lever and remove it;
3. Loosen the lock nut;
4. Take out the cartridge and replace this with the new one;
5. Put back all the components by carrying out the above points in reverse order.

Replacing the mousseur in connection with scaling and/or contamination

1. Unscrew the nut of the tap outlet (if necessary with a cloth for better grip);
2. Replace the mousseur or wash it clean with water;
3. Put everything back in reverse order.

5 Malfunctions

The HotSpot 3-in-1 tap is a Dutch quality product, developed on the basis of years of experience and constructed using first class materials. When a malfunction occurs, you can resolve this on the basis of the table.* If the prescribed action does not have the desired effect, disconnect the plug from the socket outlet and call your installer. First note down the product name, type number and serial number of your HotSpot boiler. This information can be found on the back of the appliance.

** in the user and installation manual of the boiler (page 11)*



Your HotSpot 3-in-1 tap should only be repaired by a certified specialist. Self-repair can lead to dangerous situations! Unauthorized repair will void the warranty!



If the power cable is damaged, this should only be replaced by Inventum's technical service department in order to avoid dangerous situations.

6 End of service life

The HotSpot 3-in-1 tap contains no toxic or harmful substances and may be offered to your local refurbishment organisation.

The packaging materials are also entirely recyclable.

7 Installation

When installing the HotSpot, the following must be complied with:

- Install the boiler according to the installation manual supplied with the boiler;
- Water pressure: 1 - 5 bar;
- Maximum hot water temperature: 80 °C
- When the water supply pressure exceeds 5 bar, a pressure reducing device is recommended to ensure proper operation;

1. Drill a hole (maximum \varnothing 35 mm) into the work top at the desired location.
2. Screw the two separate threaded ends into the tap housing from below. The O-ring must be installed between the working top and the tap.
3. Slide the tap with the hose through the worktop from top to bottom. The flat seat is optional;
4. Slide the U-shaped rubber packing and flat steel plate together with the nut over the threaded ends;

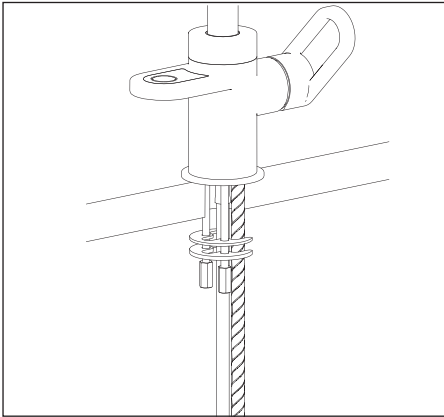


Fig. 7.1 Fastening tap to work top

5. Place the nuts over the threaded ends and turn them tight under the worktop;
6. Connect the hot and cold water hoses, recognisable by the colour coding, to the mains system. Optionally, the hot water connection may be connected to the hot water hose of the combi boiler. Then remove the cap from the red hot water hose with the proper tool;
7. Slide the connector on the red hose that comes from the boiler, over the 3-in-1 tap connection until it can go no further;

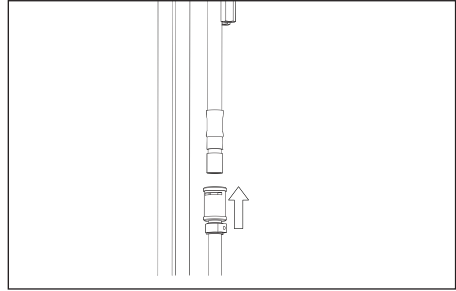


Fig. 7.2 Attaching hose to 3-in1 tap

8. Secure the connector with the metal retaining clip supplied with the boiler. Note: the clip should neatly click around the connection housing. Make sure the connection has been made properly by pulling carefully on the hose;

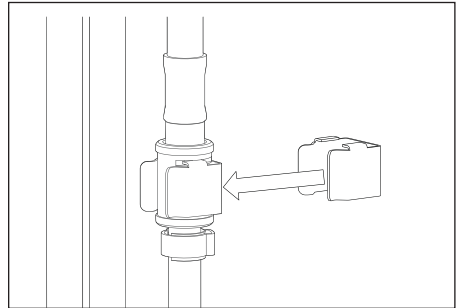


Fig. 7.3 Attaching retaining clip

9. Connect the wire from the HotSpot 3-in-1 tap to the connector at the rear of the boiler (hook downwards) (see fig 7.4).

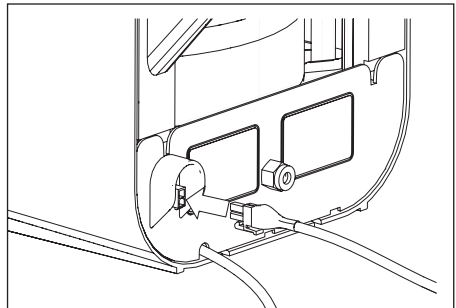


Fig. 7.4 Connecting wire to boiler connector

Refer to the HotSpot boiler installation and user manual for further details.

Dimensions

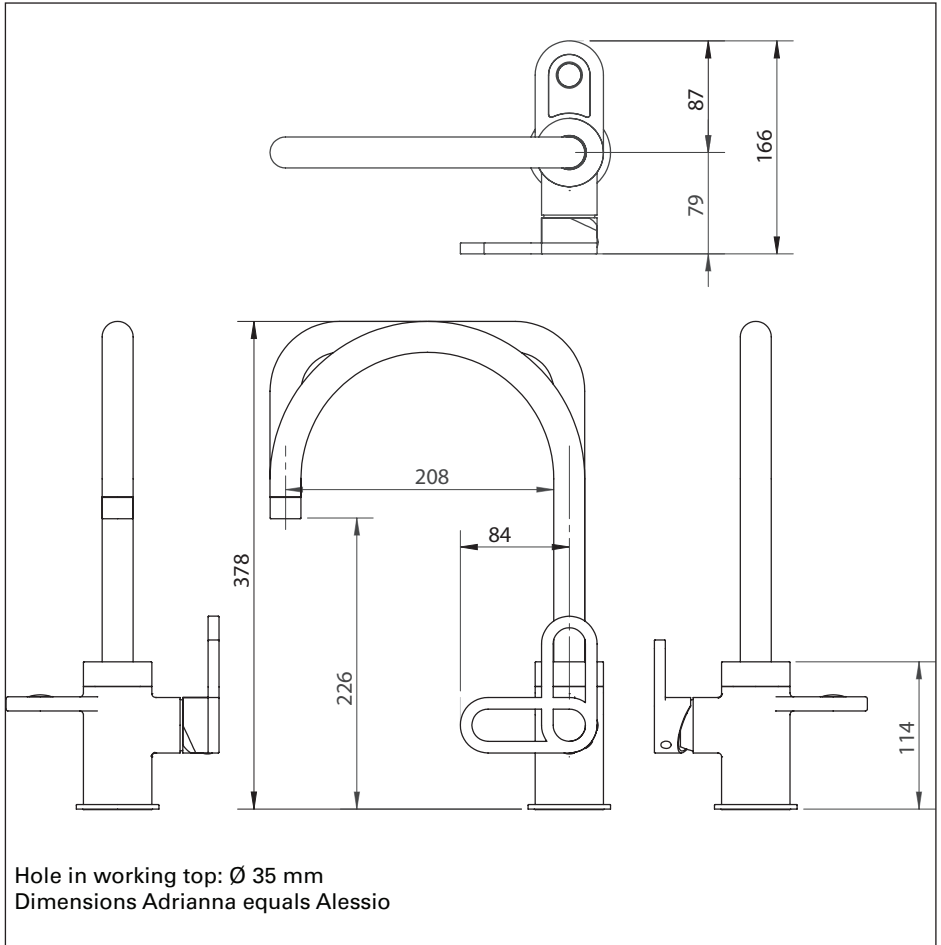


Fig. 8 Dimensions 3-in-1 tap

Installed by:

Inventum B.V.

P.O. Box 275, 3990 GB Houten
Kaagschip 25, 3991 CS Houten
The Netherlands

Tel.: +31 (0)30 274 84 84
Fax: +31 (0)30 274 84 85
E-mail: info@inventum.com



www.inventum.com