



Cód. 50121542



Audio and Video  
door entry system

(Mechanical assembly  
of the door panel)

# Inox Modular

Assembly manual

TInox Modular ML rev.0112

First of all we would like to thank and congratulate you for the purchase of this product manufactured by Golmar.  
 The commitment to reach the satisfaction of our customers is stated through the ISO-9001 certification and for the manufacturing of products like this one.  
 Its advanced technology and exacting quality control will do that customers and users enjoy with the legion of features this system offers. To obtain the maximum profit of these features and a properly wired installation, we kindly recommend you to expend a few minutes of your time to read this manual.

## INDEX

Introduction .....	13	Assembly the mechanical modules .....	16
Index .....	13	Assembly the electronic modules .....	17
Important .....	13	Connection and configuration .....	17
Door panel description .....	13-14	Close the door panel .....	17
Door panel installation .....		Notes .....	18
Embedding box positioning .....	15		
Embedding box installation .....	15-16		

## IMPORTANT

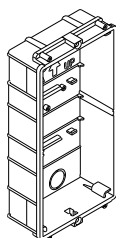
- ☞ See user manual corresponding for details of connection, configuration and programming system (it is supplied with the sound module).
- ☞ User manual reference:
  - ☞ 4 + N system, user manual T655.
  - ☞ Vista system, user manual T631/R5.
  - ☞ Plus system, user manual T631/Plus.

## DOOR PANEL DESCRIPTION

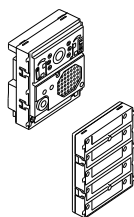
### Door panel description.

General detail of parts, for assembly the door panel.

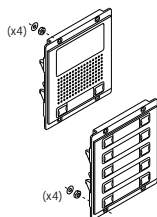
Embedding boxes



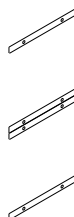
Electronic modules



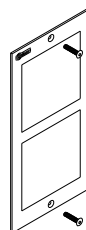
Mechanical modules



Joints



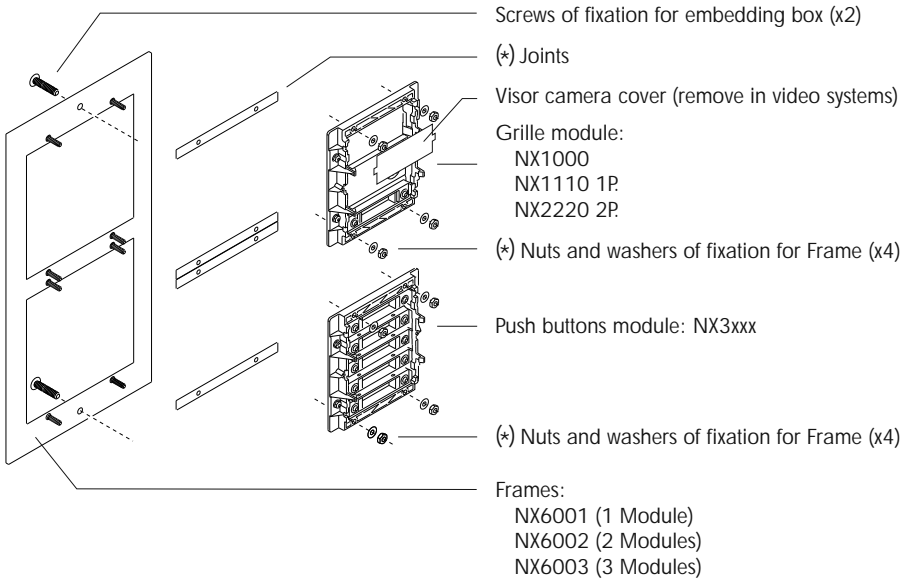
Frame



Continue

Coming from previous page

Door panel description.

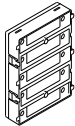


(\*)Note: Joints, nuts and washers are supplied with the mechanical module.



Sound module

- EL655 , sound module (4 + N installation).
- EL631/R5 , sound module with color camera (Vista installation).
- EL640/Plus, sound module (Plus installation).
- EL631/Plus, sound module with color camera (Plus installation).



Push buttons electronic module

- EL610A , for 5 single or 10 double push buttons (4 + N installation).
- EL610D, for 5 single or 10 double push buttons (Vista and Plus installation).



Short connection cable

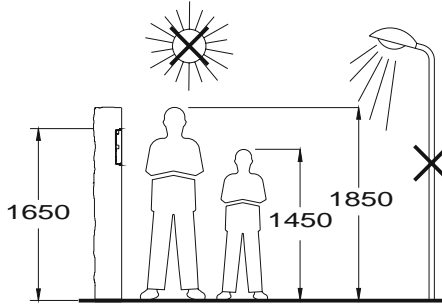
- It is supplied with EL610A module "length: 8 cm" (4 + N installation).
- It is supplied with EL610D module "length: 16 cm" (Vista and Plus installation).



Connection cable

- RAP-610A "code: 11895610, length: 55 cm" (4 + N installation).
- RAP-610D "code: 11895710, length: 27 cm" (Vista and Plus installation).

## E mbedding box positioning.

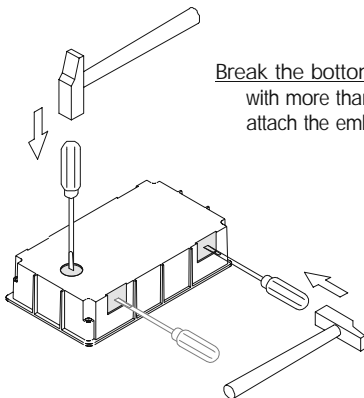


The upper part of the door panel should be placed at 1,65m. height roughly. The hole dimensions will depend on the number of door panel modules.

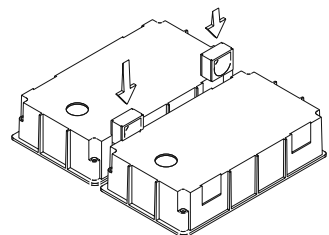
Modules	1	2	3
Model	CE610	CE620	CE630
W	125	125	125 mm.
H	140	257	374 mm.
D	56	56	56 mm.

The door panel has been designed to be placed under most of the environmental conditions. However it's recommended to take additional cautions like covered places. To obtain a good quality picture on video door entry systems, avoid direct incidence from light sources.

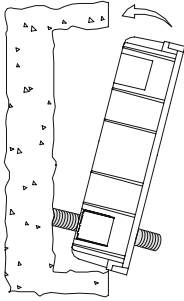
## P reparing the cables entry.



Break the bottom flange to pass the cables through. In case of door panels with more than one embedding box, break the side flanges and attach the embedding boxes using UC junctions.



**P**lace the embedding box.



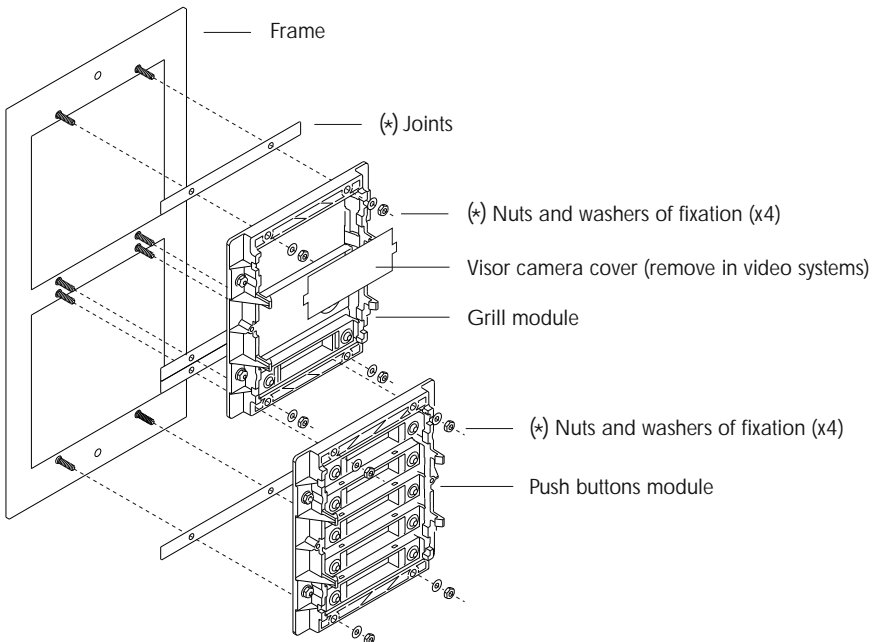
Pass the wiring through the hole made in the bottom part of the embedding box. Level and flush the embedding box. Once the embedding box is placed, remove the protective labels from the attaching door panel holes.

**A**ssemble the mechanical modules in the frame.

First insert the joints, then the grille module in the top part of the Frame.

To finish place the nuts and washers, use a 5,5mm hexagon nutdriver.

If there is push buttons module repeat the above process, locating under the grille module, as shown in the drawing.

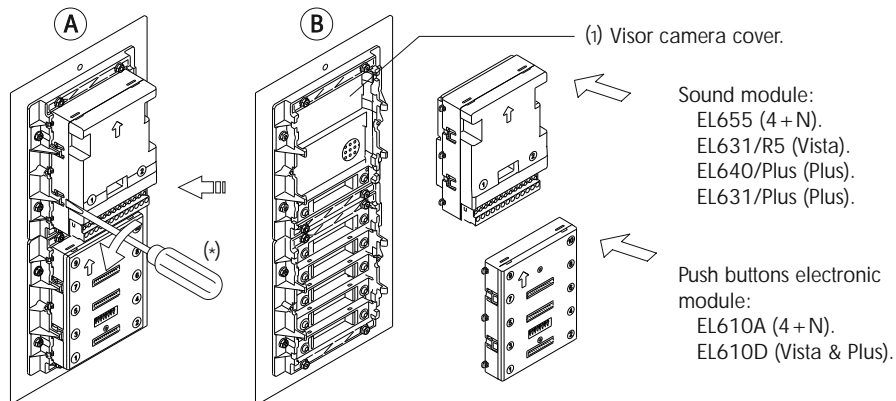


(\*) Note: Joints, nuts and washers are supplied with the mechanical module.

## A ssembly the electronic modules.

Once mounted the mechanical modules (see page 16), insert the sound module in the top part of the frame. Align the tabs on the sound module in their respective housings of the grille module and then exercise a light pressure until correct placement.

If there is push buttons module repeat the above process, locating under the sound module, as shown in the drawing (B).

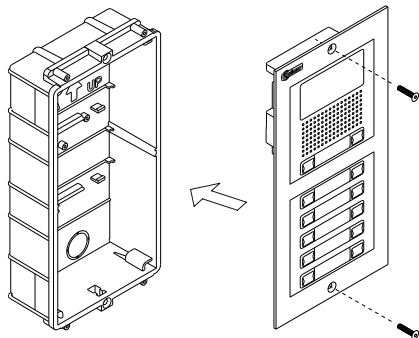


(\*) If it is necessary remove the sound module for audio settings or camera orientation, during the works of "Connection & configuration"; insert a plain screwdriver into the clips and rotate it as shown in the drawing (A).

(i) First removes the visor camera cover before placing the sound module EL631/R5 or EL631/Plus.

## C onnection and configuration.

For connection push buttons, nameplate labels, configuration, adjustments and programming, see the manual supplied with the sound module.



## C lose the door panel.

Once finished the works of wiring, configuration and final adjustments, fix the door panel with the supplied antivandal screws. Use the screwdriver bit for 1/4" (also supplied).

**IMPORTANT:** Keep the screwdriver bit in a safe place for later manipulations of the door panel.

A large rectangular area containing 25 horizontal dotted lines for writing notes.



golmar@golmar.es  
www.golmar.es



Golmar se reserva el derecho a cualquier modificación sin previo aviso.  
Golmar se réserve le droit de toute modification sans préavis.  
Golmar reserves the right to make any modifications without prior notice.