

PANEL6172-O/P

17.0" Industrial TFT LCD Monitor

User's Manual

Disclaimers

The information in this manual has been carefully checked and is believed to be accurate. AXIOMTEK Co., Ltd. assumes no responsibility for any infringements of patents or other rights of third parties, which may result from its use.

AXIOMTEK assumes no responsibility for any inaccuracies that may be contained in this document. AXIOMTEK makes no commitment to update or to keep current the information contained in this manual.

AXIOMTEK reserves the right to make improvements to this document and/or product at any time and without notice.

No part of this document may be reproduced, stored in a retrieval system, or transmitted, in any form or by any means, electronic, mechanical, photocopying, recording, or otherwise, without the prior written permission of AXIOMTEK Co., Ltd.

**©Copyright 2004 by AXIOMTEK Co. Ltd.,
All rights reserved.
January 2005, Version A4
Printed in Taiwan**

Safety Approvals

- ◆ **CE Marking**
- ◆ **FCC Class A**

FCC Compliance

This equipment has been tested and complies with the limits for a Class A digital device, pursuant to Part 15 of the FCC Rules. These limits are designed to provide reasonable protection against harmful interference in a residential installation. If not installed and used in accordance with proper instructions, this equipment might generate or radiate radio frequency energy and cause harmful interference to radio communications. However, there is no guarantee that interference will not occur in a particular installation. If this equipment does cause harmful interference to radio or television reception, which can be determined by turning the equipment off and on, the user is encouraged to try to correct the interference by one or more of the following measures:

1. Reorient or relocate the receiving antenna.
2. Increase the separation between the equipment and receiver.
3. Connect the equipment into an outlet on a circuit different from that to which the receiver is connected.
4. Consult the dealer or an experienced radio/TV technician for help.

Shielded interface cables must be used in order to comply with emission limits.

Safety Precautions

Before getting started, read the following important cautions.

1. The P6172 does not come equipped with an operating system. An operating system must be loaded first before installing any software into the computer.
2. Be sure to ground yourself to prevent static charge when installing the internal components. Use a grounding wrist strap and place all electronic components in any static-shielded devices. Most electronic components are sensitive to static electrical charge.
3. Disconnect the power cord from the P6172 before making any installation. Be sure both the system and the external devices are turned OFF. Sudden surge of power could ruin sensitive components. Make sure the P6172 is properly grounded.
4. The brightness of the flat panel display decreases with usage. However, hours of use vary depending on the application environment.
5. Turn OFF the system power before cleaning. Clean the system using a cloth only. Do not spray any liquid cleaner directly onto the screen. The P6172 may come with or w/o a touch screen. Although the touch screen is chemical resistant, it is recommended that you spray the liquid cleaner on a cloth first before wiping the screen. In case your system comes without the touch screen, you must follow the same procedure and not spray any cleaner on the flat panel directly.
6. Avoid using sharp objects to operate the touch screen. Scratches on the touch screen may cause malfunction or internal failure to the touch screen.

7. The flat panel display is not susceptible to shock or vibration. When assembling the P6172, make sure it is securely installed.
8. Do not open the system's back cover. If opening the cover for maintenance is a must, only a trained technician is allowed to do so. Integrated circuits on computer boards are sensitive to static electricity. To avoid damaging chips from electrostatic discharge, observe the following precautions:
 - ✓ Before handling a board or integrated circuit, touch an unpainted portion of the system unit chassis for a few seconds. This will help to discharge any static electricity on your body.
 - ✓ When handling boards and components, wear a wrist-grounding strap, available from most electronic component stores.

This page does not contain any information.

Table of Contents

Chapter 1 Introduction.....	1
1.1 General Description	1
1.2 Features	2
1.3 Specifications.....	2
1.4 Dimensions.....	3
1.5 I/O Inputs.....	6
Chapter 2 System Setup.....	8
2.1 System Configuration.....	8
2.2 Panel Mounting	9
2.3 Wall Mounting (Option).....	12
2.4 Rack Mounting (Option)	13
2.5 Desktop Stand (Option)	14
Appendix A Supported Input Timing Modes	16
Appendix B OSD Operation.....	18

This page does not contain any information.

Chapter 1

Introduction

This chapter contains the general information and the detailed specifications of the P6172-O/P. Chapter 1 includes the following sections:

- **General Description**
- **Features**
- **System Specification**
- **Dimensions**
- **I/O Inputs**

1.1 General Description

The Panel 6172, a industrial 17.0 inches view area LCD Monitor comes with slim, light and reliable features to replace traditional bulky CRT for Industrial application. Its unique front side design is fit for open frame mounting (Panel6172-O) or panel mounting (Panel6172-P). The display interface offers VGA-in standard interfaces for different input source from PC system or multimedia system that let you upgrade the display don't change anything from your system. Besides, for varied HMI field, you can choose one of resistive, capacitive touch screen or glass interface to meet your application. In addition, this monitor has more comfort, safety, and environmental protection for humanized & health consideration those would be the benefit that users can get.

This LCD monitor builds in 17.0" color active matrix thin-film-transistor (TFT) liquid crystal display to provide superior display performance. A maximum resolution of 1280x1024 is ideal for displaying complex graphics and high definition images. Other outstanding designs that enhance this LCD monitor 's performance are Plug & Play compatibility, and OSD (On Screen Display) controls, especially OSD, it made you ease adjustment on screen image.

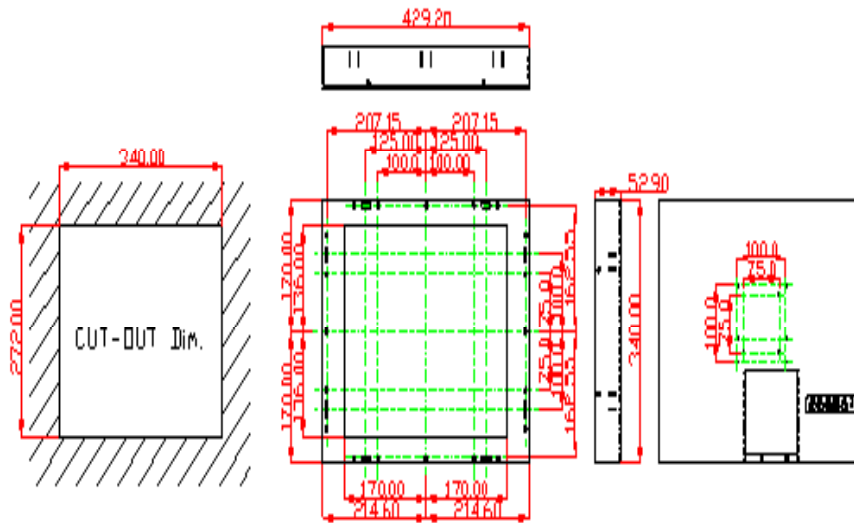
1.2 Features

- High contrast color 17.0" SXGA TFT LCD display support resolution up to 1280x1024
- Stainless steel chassis with NEMA4/IP65-compliant and Aluminum alloy front panel
- Suits with resistive, capacitive or tempered anti-reflection glass
- Multi-scan function supports SXGA, XGA, SVGA, VGA, VGA-Text, PC-9801, MAC.
- High Brightness and Ultra-wide viewing angle with anti-glare features
- Power management system conforms to VESA DPMS standard
- Advanced OSD control for picture quality adjustment
- Supports VESA ARMS, Desktop Stand
- Rear, Panel, Wall or Rack mounting

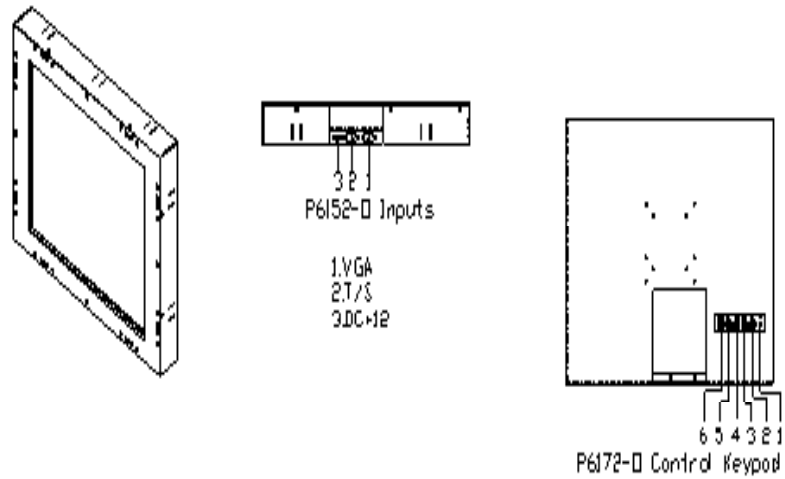
1.3 Specifications

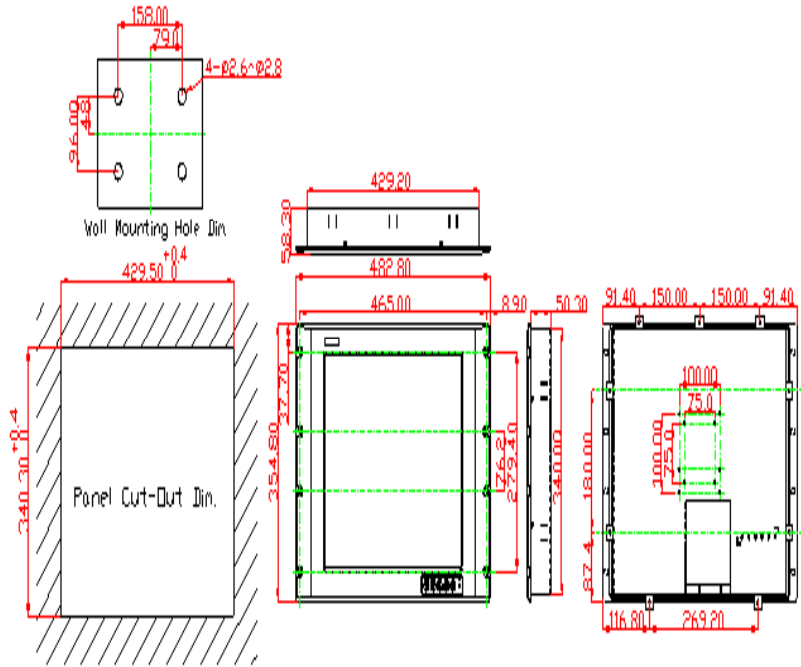
- **Construction:** Heavy-duty aluminum and steel chassis
- **Control:** OSD (On Screen Display) control pad on front side
- **Mounting:** Panel mount, wall mount (optional). Supports VESA arm mounting and Rack mount (optional)
- **Net weight:** 7.7 KG
- **Dimension (main body size):**
 - P6172-P
482.8X354.8X58.3 mm
 - P6172-O
429.2X340.0X52.9 mm
- **Operating Temperature Range:** 0°C ~ 40°C
- **Relative Humidity:** 20% ~ 90%; non-condensing

1.4 Dimensions

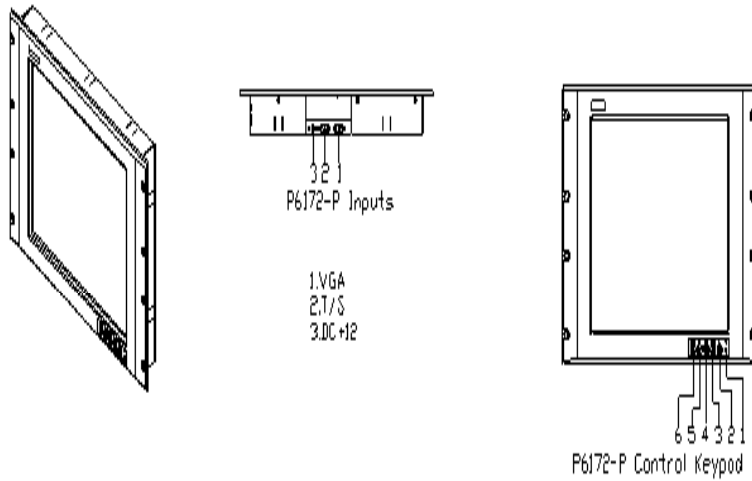


P6172-0 17.0" Open Frame Monitor Dimension (unit:mm)

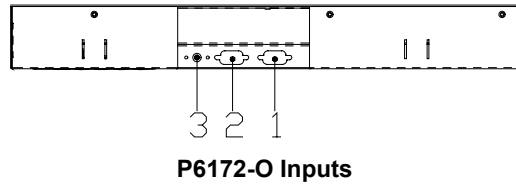
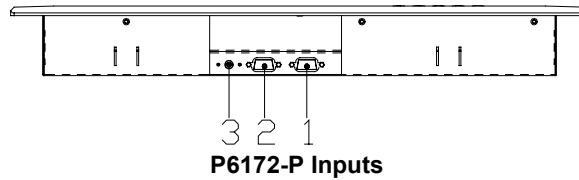




P6172 17.0" Flat Panel Monitor Dimension (unit:mm)



1.5 I/O Inputs



- 1: VGA
- 2: T/S
- 3: DC+12V

1. **VGA Port (D-sub):** This D-Sub15 connector can be connected to the system via the external D-Sub15 connector located on the bottom side of the system unit.
2. **T/S Port (D-sub optional):** This connector will be present only if a touch screen is installed. It must be connected to the RS-232 port of the PC. The touch screen cable is included with all orders, which include the touch screen option.
3. **DC +12V :** This connector will be connected to the DC 12V Switching Power Supply.

This page does not contain any information.

Chapter 2

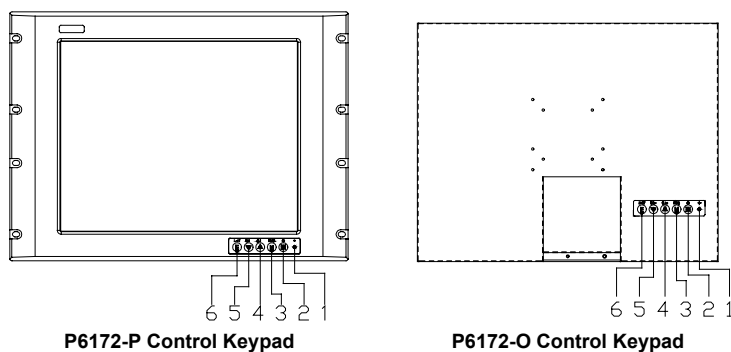
System Setup

This chapter details the system parts and components with figures. Sections include

- System Configuration
- Panel Mounting
- Wall Mounting
- Rack Mounting
- Desktop Stand

2.1 System Configuration

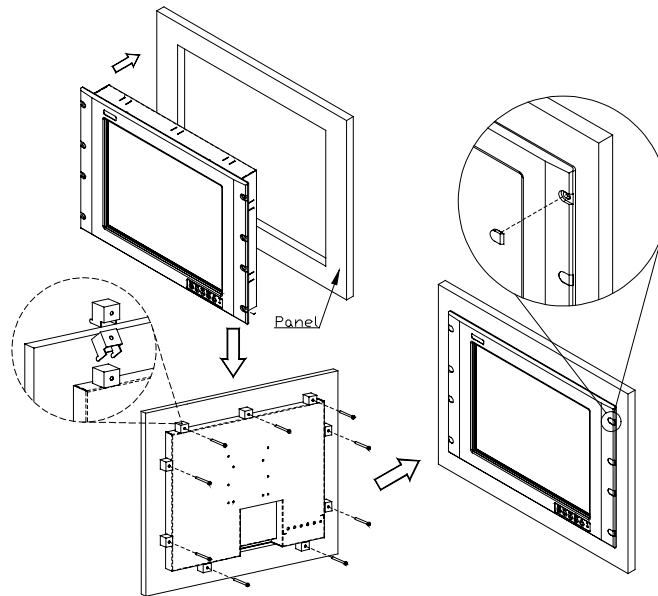
The figure below shows the front views of P6172 series.



1. **Power LED:** When the light is green, the power is on, flash when the power is active off.
2. **Power switch:** Press this button to turn on/off the monitor.
3. **Menu:**
 - Press this button to turn on/off the OSD (On Screen Display) main menu.
 - Press this button to activate selected items.
4. **SEL+:**
 - To scroll up the menu.
 - To increase the value of selected item.

5. **SEL-:**
 - To scroll down the menu.
 - To decrease the value of selected item.
6. **Exit:** Jump out the selection icon.

2.2 Panel Mounting



Two accessory items are needed for this application.

- Mounting bracket x 9pcs
- Pan head screws (M4x0.7PxL45.0mm) x 9pcs
- Covering pad (Silicone) x 8pcs

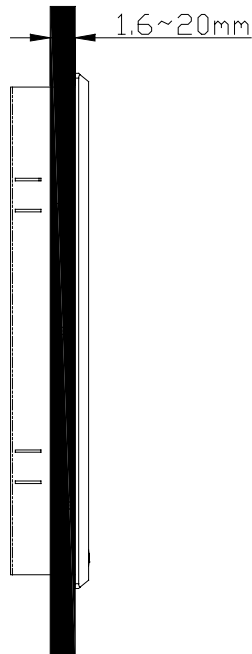
Installation instruction

1. Find a plate and cut off a window, refer the **1.4 P6172-P Dimensions** for the dimension.
2. Screw the mounting bracket to the unit.
3. Combine flange nuts with box head screws and then screw to the mounting bracket to tighten the unit.

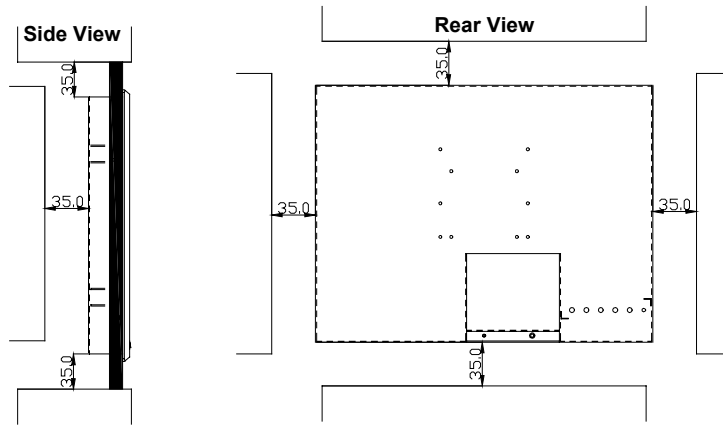
Note: To obtain the maximum degree of moisture resistance, be sure to mount the P6172 on a smooth, flat surface.

The panel itself can be from 1.6 to 20.0mm thick.

Strengthening may be required for the panel. Be sure to consider the weight of the P6172 when designing the panel.

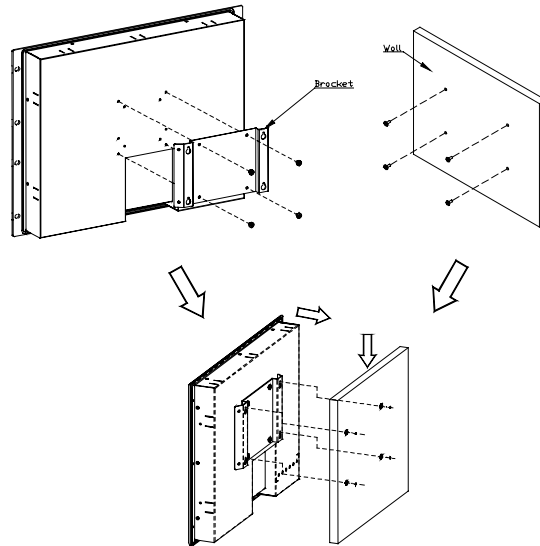


Note: To enhance the P6172's maintainability, operability and ventilation, allow at least 35mm clearance between the P6172 and any other objects. (The clearance must be large enough to allow you to insert or remove expansion boards and to attach connectors.)



(Unit: mm)

2.3 Wall Mounting (Option)



The unit is designed to support wall-mounting application. It let you to mount the unit on the wall.

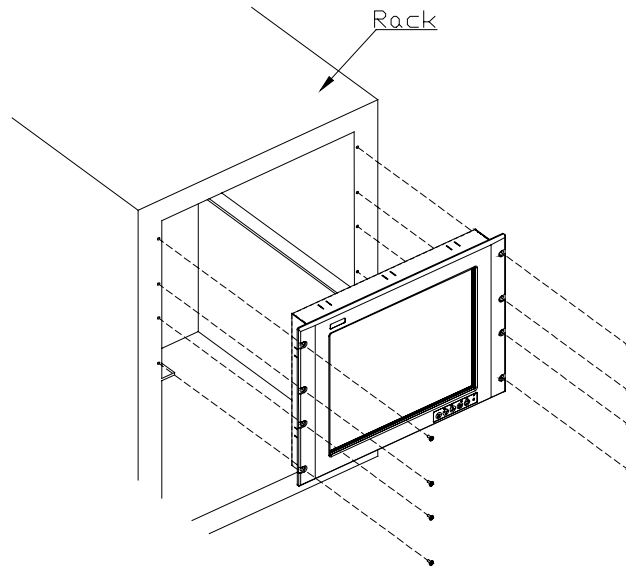
Three accessory items to support this feature.

- Wall mounting bracket x 1pcs
- Binding head & washer screws (M4x0.7PxL6.0mm) x 4pcs
- Truss head screws (TTS-4, 3.5x10mm-black) x 4pcs

Installation instruction

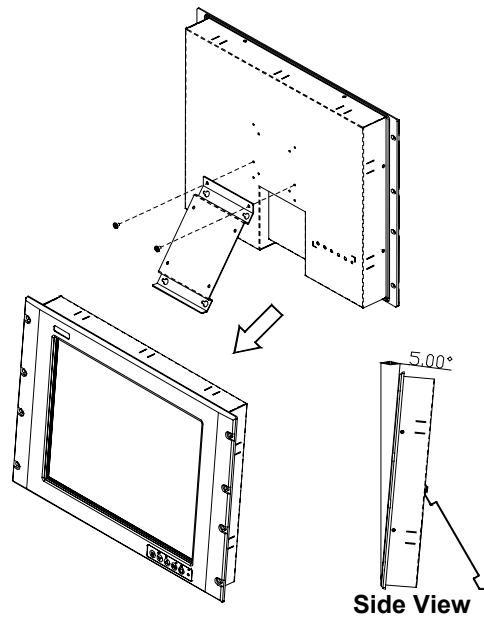
1. Refer the hole location on the page 3. Screw the truss head screws to the hole location on the wall.
Note: Do not tight the screw for mounting the unit. The minimum space between the wall and the top of screw is 1.6mm.
2. Mount the wall-mounting bracket to the back cover of the unit.
3. Mount the unit to the wall.

2.4 Rack Mounting (Option)



P6172 series products could be directly to the industrial standard 19" rack. There are four screw holes on each side of the panel.

2.5 Desktop Stand (Option)



The unit is designed to support desktop stand application.

Two accessory items are needed for this application.

- Wall mounting bracket x 1pcs
- Binding head & washer screws (M4x0.7PxL6.0mm) x 2pcs

Installation instruction

Mounting the wall-mounting bracket with the binding header & washer screws to the back over of the unit and then the unit can stand on the desktop.

This page does not contain any information.

Appendix A

Supported Input Timing Modes

Supported Input Timing Modes

The thirty-eight kinds of timings below are already programmed in this module. The input synchronous signals are automatically recognized.

Preset No.	Display Size	Vsync (Hz)
1	640x350	70.087
2	640x400	70.111
3	720x400	70.087
4	640x480	59.941
5	640x480	66.667
6	640x480	70.048
7	640x480	72.809
8	640x480	75.000
9	720x480	59.924
10	720x480	72.808
11	720x576	71.977
12	960x720	59.979
13	960x720	74.993
14	1152x864	60.091
15	1152x864	70.011
16	1280x960	59.989
17	800x600	56.250
18	800x600	60.317
19	800x600	72.000
20	800x600	72.188
21	800x600	75.000
22	832x624	75.087
23	1024x768	59.278

Preset No.	Display Size	Vsync (Hz)
24	1024x768	59.278
25	1024x768	60.000
26	1024x768	60.004
27	1024x768	70.008
28	1024x768	70.069
29	1024x768	71.799
30	1024x768	72.000
31	1024x768	74.927
32	1024x768	74.927
33	1024x768	75.020
34	1024x768	75.029
35	1024x768	75.782
36	1184x884	60.000
37	1280x1024	59.979
38	1280x1024	60.020

Appendix B

OSD Operation

Function Description of OSD Menu

OSD(On-Screen-Display) control buttons functions as follows :

To access OSD Menus, press MENU button

.Function key

Exit

Jump out the selection icon/AUTO ADJ

[-]

1. To scroll down the menu.
2. To decrease the value of selected item.

[+]

- 1.To scroll up the menu.
- 2.To increase the value of selected item.

Menu

1. Press this button to turn on/off the OSD(On Screen Display) main menu.
2. Press this button to activate selected items.

Power switch

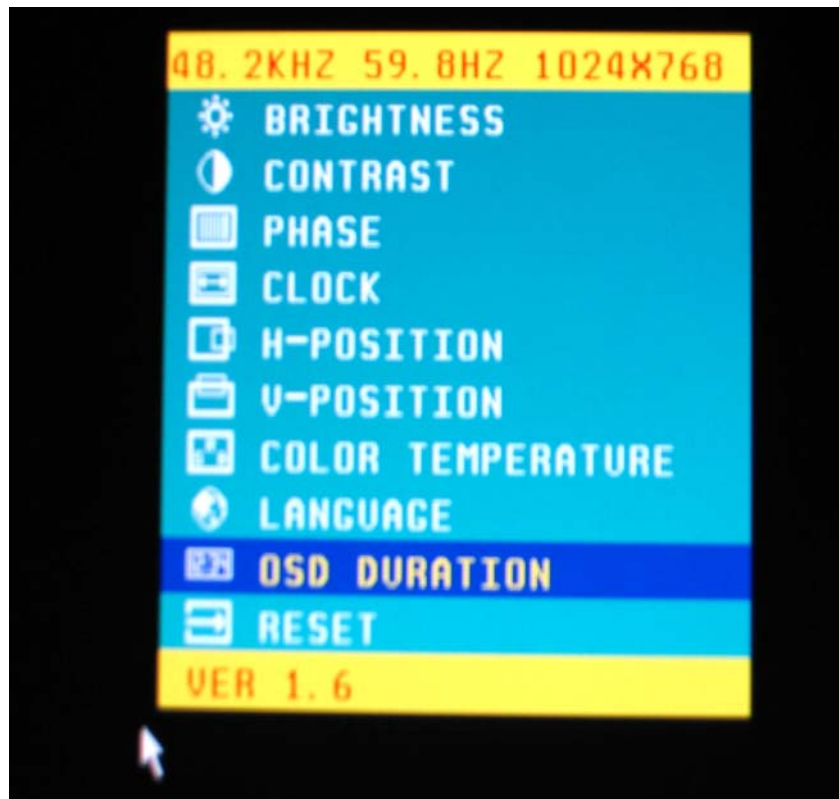
1. Press this button to turn on/off the monitor.

Power LED

1. When the light is green, the power is on ; when light is off the power is turn off.

Main Menu Display

[MAIN MENU DISPLAY]



•**AUTO ADJUST**

Automatically adjust Image Position, Horizontal Size or Fine setting

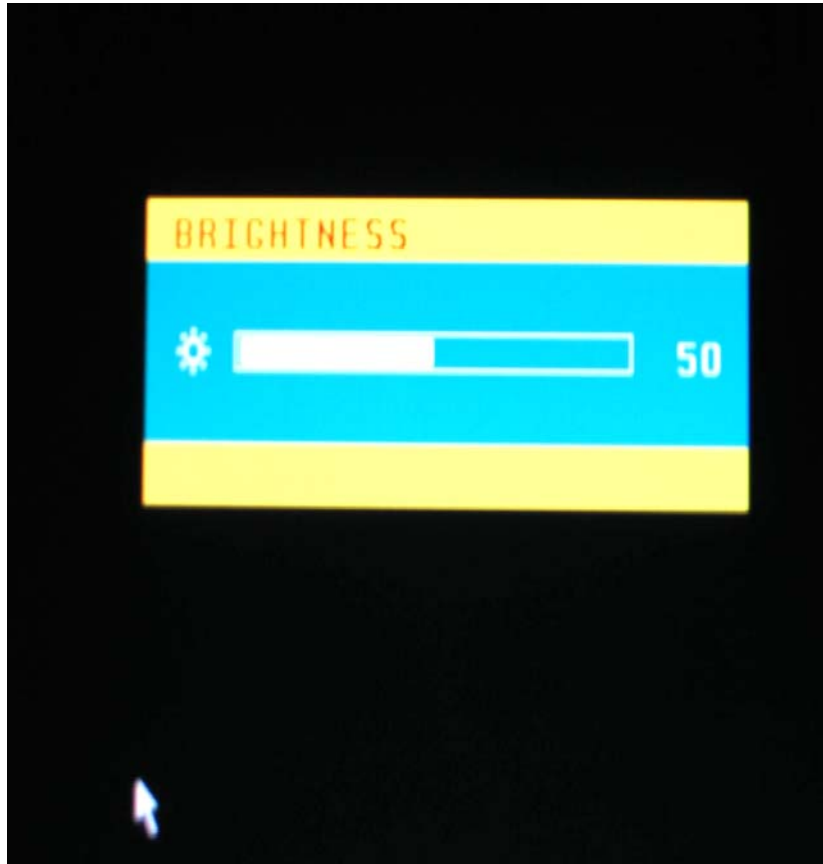
Press + or - button to select it then prsee menu key again



•**BRIGHTNESS**

Controls the intensity of the monitor backligh

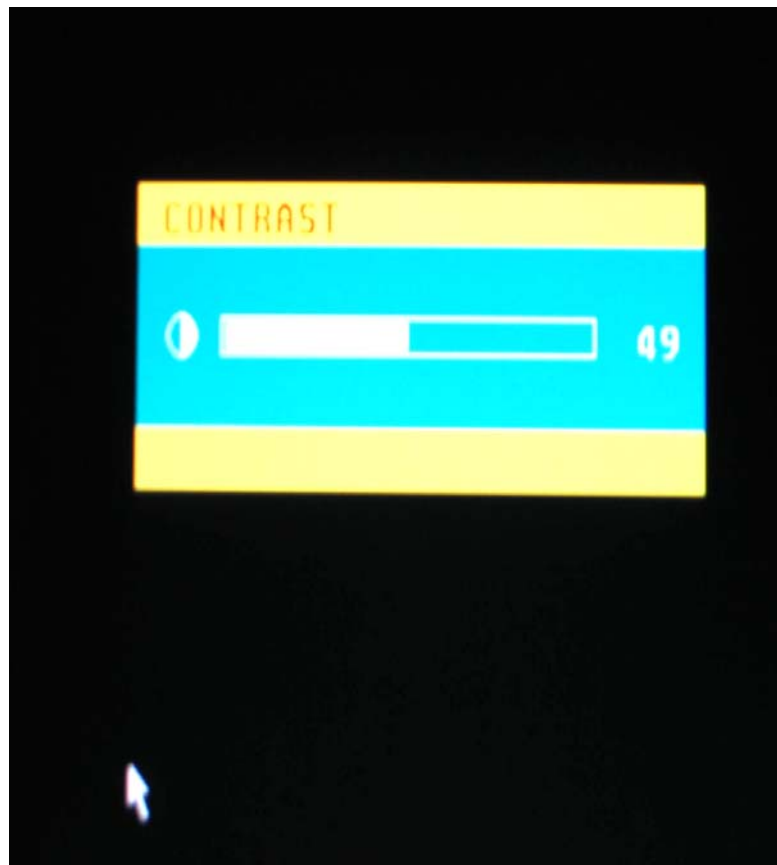
Use + or - button to increase or decrease the setting



•CONTRAST

Controls the contrast of the LCD

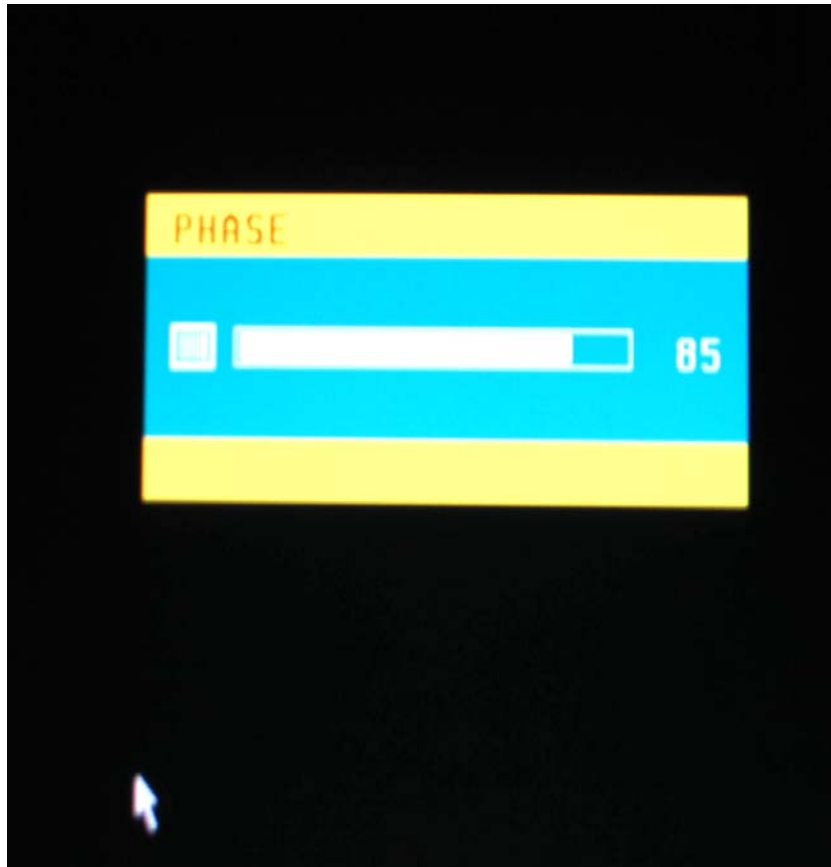
Use + or - button to increase or decrease the setting



•**PHASE**

Improves focus, clarity and image stability

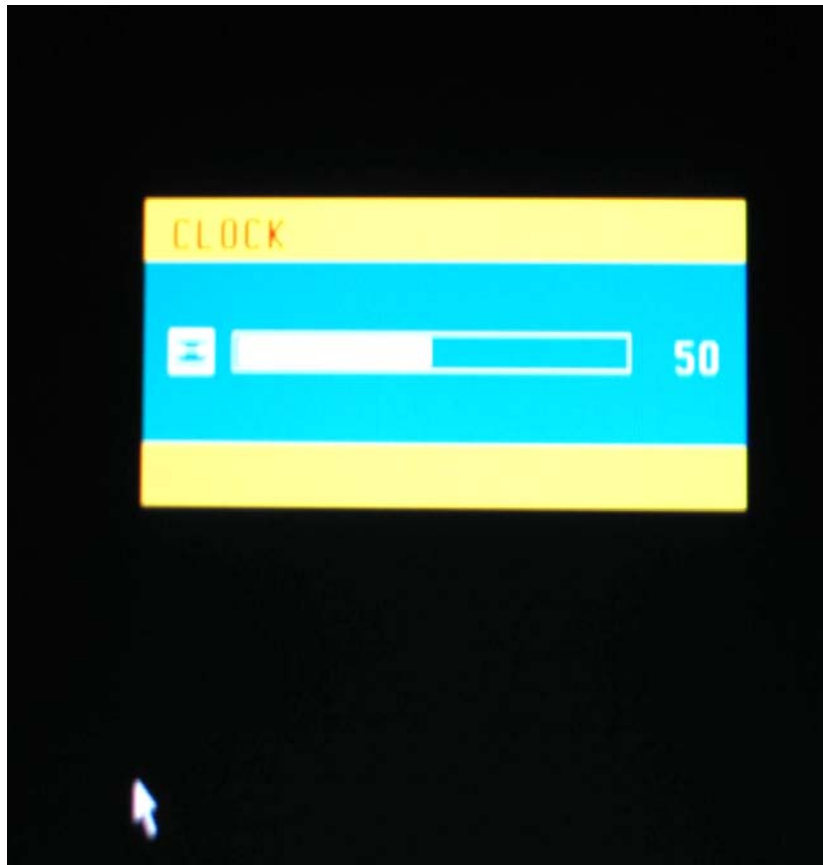
Use + or - button to increase or decrease the setting



•PIXEL CLOCK

Improves focus, clarity and image stability by changing the horizontal image size

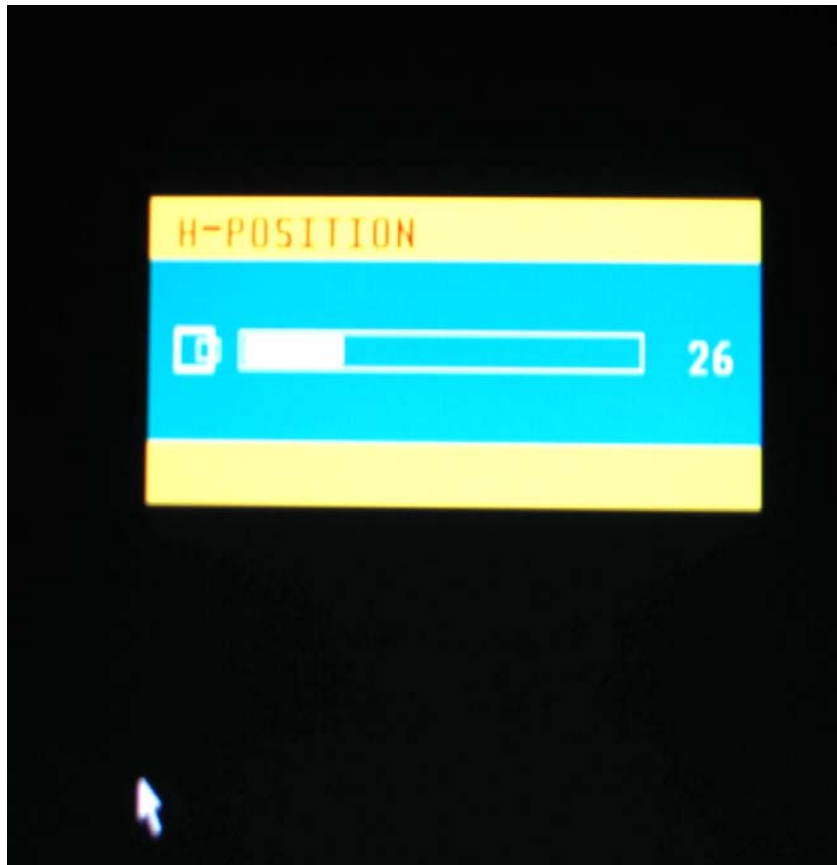
Use + or - button to increase or decrease the setting



•**IMAGE HORI. POSITION**

Controls the horizontal image position within the display of the LCD

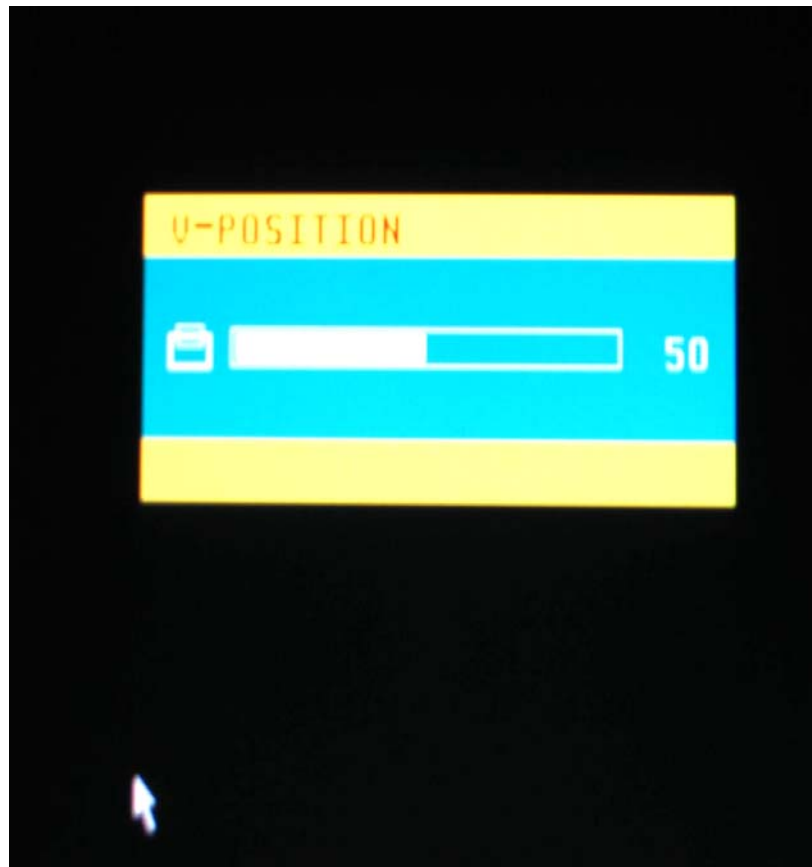
Use the + or - button to move the image right or left



•IMAGE VERT. POSITION

Controls the vertical image position within the display of the LCD

Use the + or - button to move the image up or down



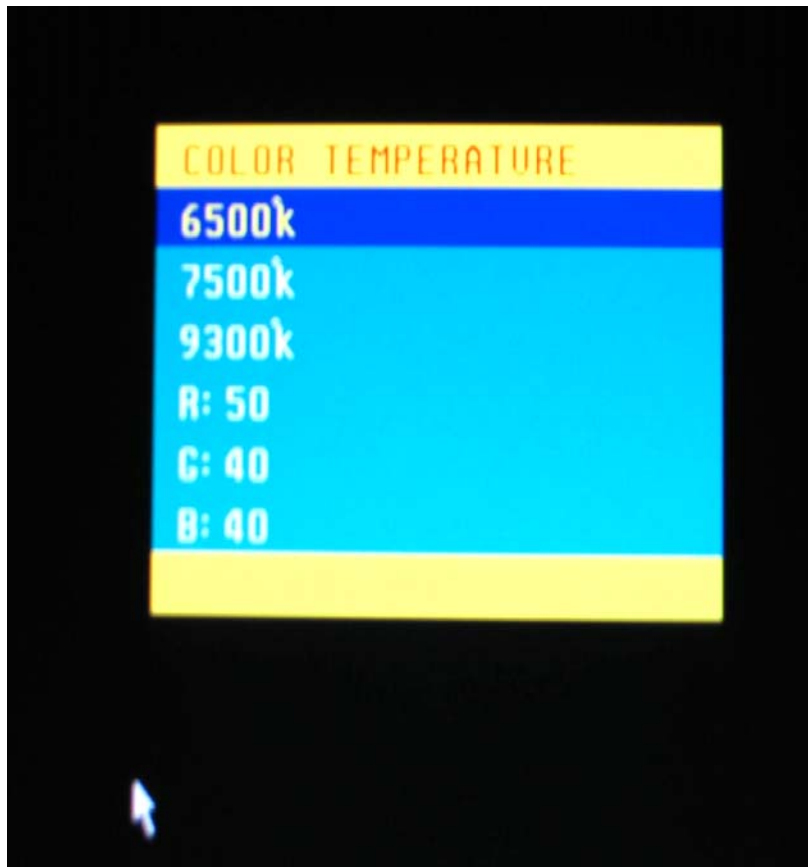
•**COLOR TEMP**

Press the + or - button to enter into the **Color temperature**

Provides two preset color adjustment : 9300K and 7500 and 6500

RGB Adjustment

**Increases or decreases Red, Green or blue color selected
Use + or - button to increase or decrease the setting**



•LANGUAGE

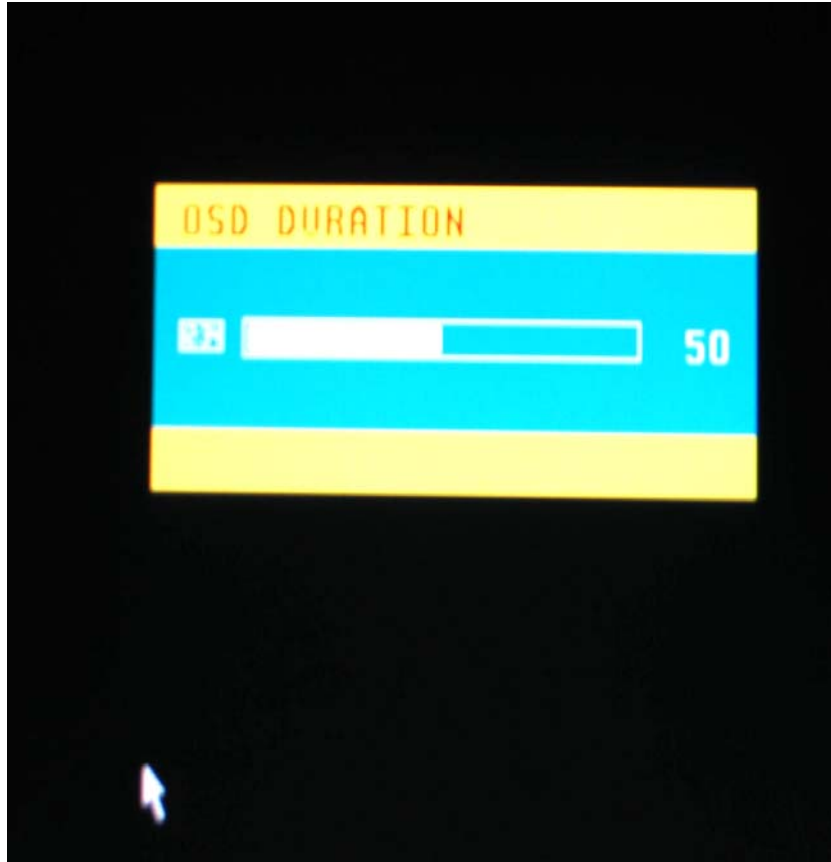
Provides eight languages for OSD menu.

Select language by using + or - button



OSD DURATION

OSD DISPLAY TIME 1second-99second



•INFORMATION

Show the horizontal and vertical
frequency

48.0KHZ 60.0HZ 1024X768

.RESET 

RETURN TO THE ORIGINAL
SETTING

.NO SIGNAL INPUT

