

REPAIR PARTS

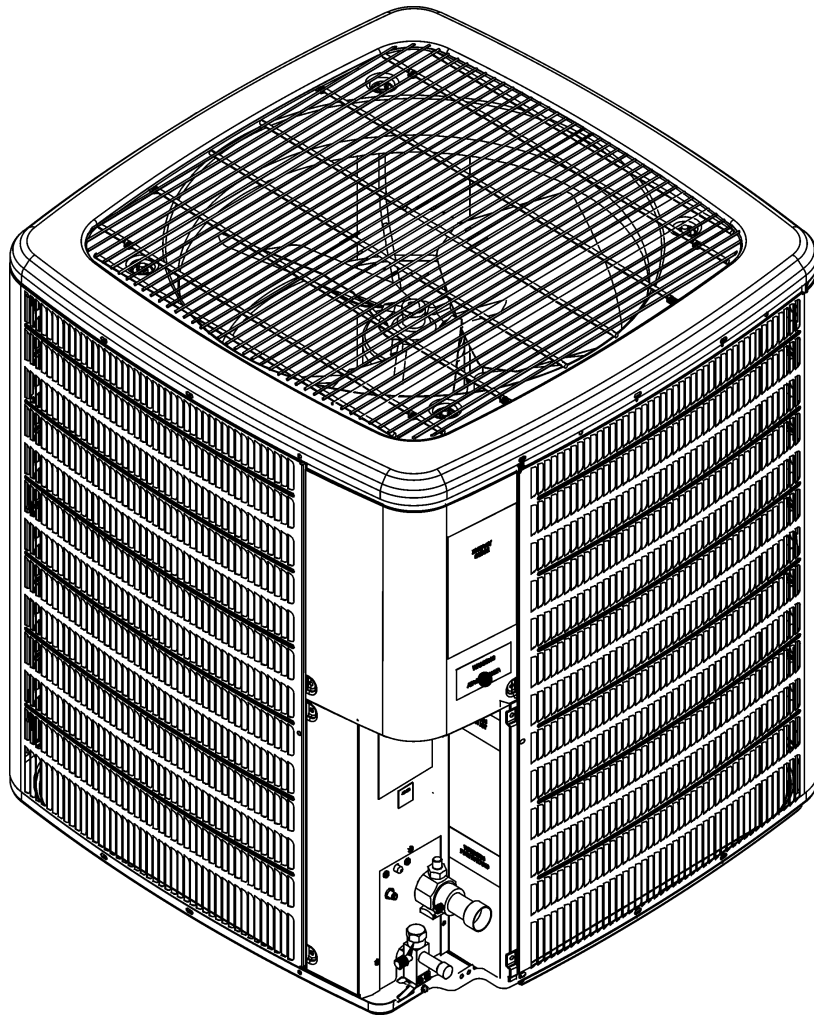
GSZ11 Remote Heat Pumps

GSZ110903AA

GSZ110904AA

GSZ111203AA

GSZ111204AA



This manual is to be used by qualified technicians only.

© 2009 Goodman Manufacturing Company, L.P. ♦ 5151 San Felipe, Suite 500 ♦ Houston, TX 77056

Important Information

Index

Functional Parts List	3
Illustration and Parts	4 - 9

Views shown are for parts illustrations only, not servicing procedures.

This system uses R410A refrigerant. If sealed system work is required, use approved equipment and follow service procedures. Refer to Service Manual or Installation Instructions for service procedures.

Text Codes:

AR - As Required

NA - Not Available

NS - Not Shown

00000000 - See Note

QTY - Quantity Example (QTY 3) (If Quantity not shown, Quantity = 1)

M - Model Example (M1) (If M Code not shown, then part is used on all Models)

Expanded Model Nomenclature:

Example M1 - Model#1 M2 - Model#2 M3 - Model#3

Goodman Manufacturing Company, L.P. is not responsible for personal injury or property damage resulting from improper service. Review all service information before beginning repairs.

Warranty service must be performed by an authorized technician, using authorized factory parts. If service is required after the warranty expires, Goodman Manufacturing Company, L.P. also recommends contacting an authorized technician and using authorized factory parts.

Goodman Manufacturing Company, L.P. reserves the right to discontinue, or change at any time, specifications or designs without notice or without incurring obligations.

For assistance within the U.S.A. contact:
Consumer Affairs Department
Goodman Manufacturing Company, L.P.
7401 Security Way
Houston, Texas 77040
877-254-4729-Telephone
713-863-2382-Facsimile

For assistance outside the U.S.A. contact:
International Division
Goodman Manufacturing Company, L.P.
7401 Security Way
Houston, Texas 77040
713-861-2500-Telephone
713-863-2382-Facsimile

Functional Parts

Part

No: Description:

0130M00025S	24V RELAY
CAP200000440RPS	CAPACITOR 20/370V
ZP103KCETF5155	COMP, 105,000, 200/230/60/3 (M3)
ZP103KCETFD250	COMP, 105000, 460/60/3 (M4)
ZP83KCETF5250	COMPRESSOR, 83000, 200/230/60/3 (M1)
ZP83KCETFD130	COMPRESSOR, 83000, 460/60/3 (M2)
0131M00040S	COND MOTOR 1 HP, 1 SP, 230V (M1, M3)
0131M00041S	COND MOTOR 1 HP, 1 SP, 460V (M2, M4)
CONT3P040024VS	CONTACTOR 40 AMP, 3P, 24V
PCBDM133	DEFROST CONTROL BOARD
B1370803	DEFROST THERMOSTAT
0151R00029	EXPANSION VALVE
B1086768	FAN BLADE 26"
0130L00021S	HEATER, CRANKCASE 460V, 90W (M2, M4)
0130L00020S	HEATER, CRANKCASE 240V, 90W (M1, M3)
0130M00089	SW-CUTOUT HI PRESS
0130M00088	SW-CUTOUT LOW PRESS
0151R00000P	VALVE, REVERSING (M3, M4)
0151R00001P	VALVE, REVERSING (M1, M2)

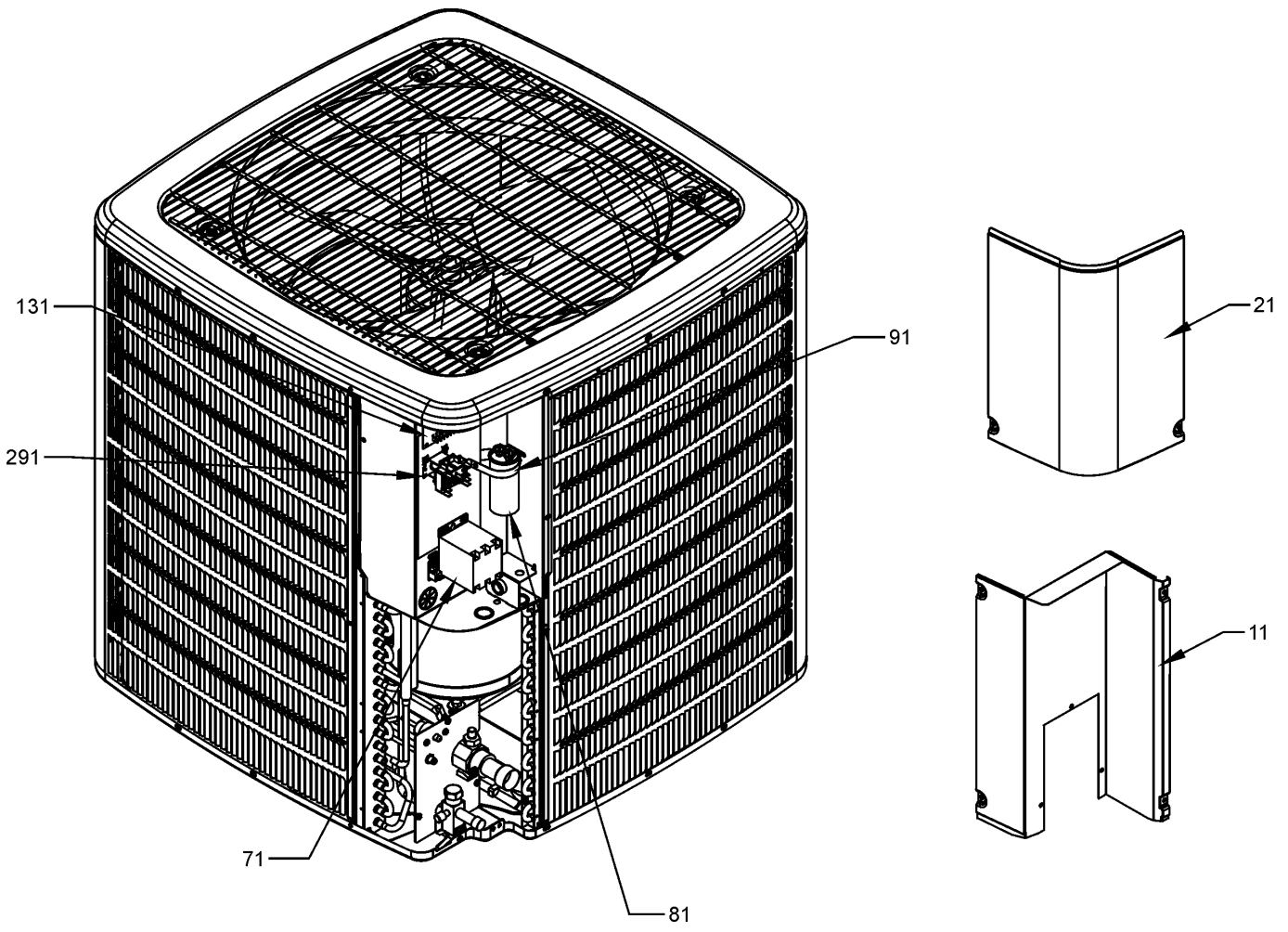
SPECIAL PARTS

IO-393A	INSTALLATION INSTRUCTIONS
0161R00009P	NAMEPLATE

Expanded Model Nomenclature

M1 - GSZ110903AA
M2 - GSZ110904AA
M3 - GSZ111203AA
M4 - GSZ111204AA

Control Cover / Control Box



Control Cover / Control Box

Ref. Part No:	No:	Description:	Ref. Part No:	No:	Description:
---------------	-----	--------------	---------------	-----	--------------

Image 1:

11	4400211PDG	LOWER ACCESS PANEL
21	0121R00053PDG	CONTROL COVER
71	CONT3P040024VS	CONTACTOR 40 AMP, 3P, 24V
81	CAP200000440RPS	CAPACITOR 20/370V
91	4400065	CAPACITOR STRAP
131	PCBDM133	DEFROST CONTROL BOARD
291	0130M00025S	24V RELAY
NS	B1372801	SIGHT GLASS

Expanded Model Nomenclature

M1 - GSZ110903AA
M2 - GSZ110904AA
M3 - GSZ111203AA
M4 - GSZ111204AA

Compressor / Tubing Assembly

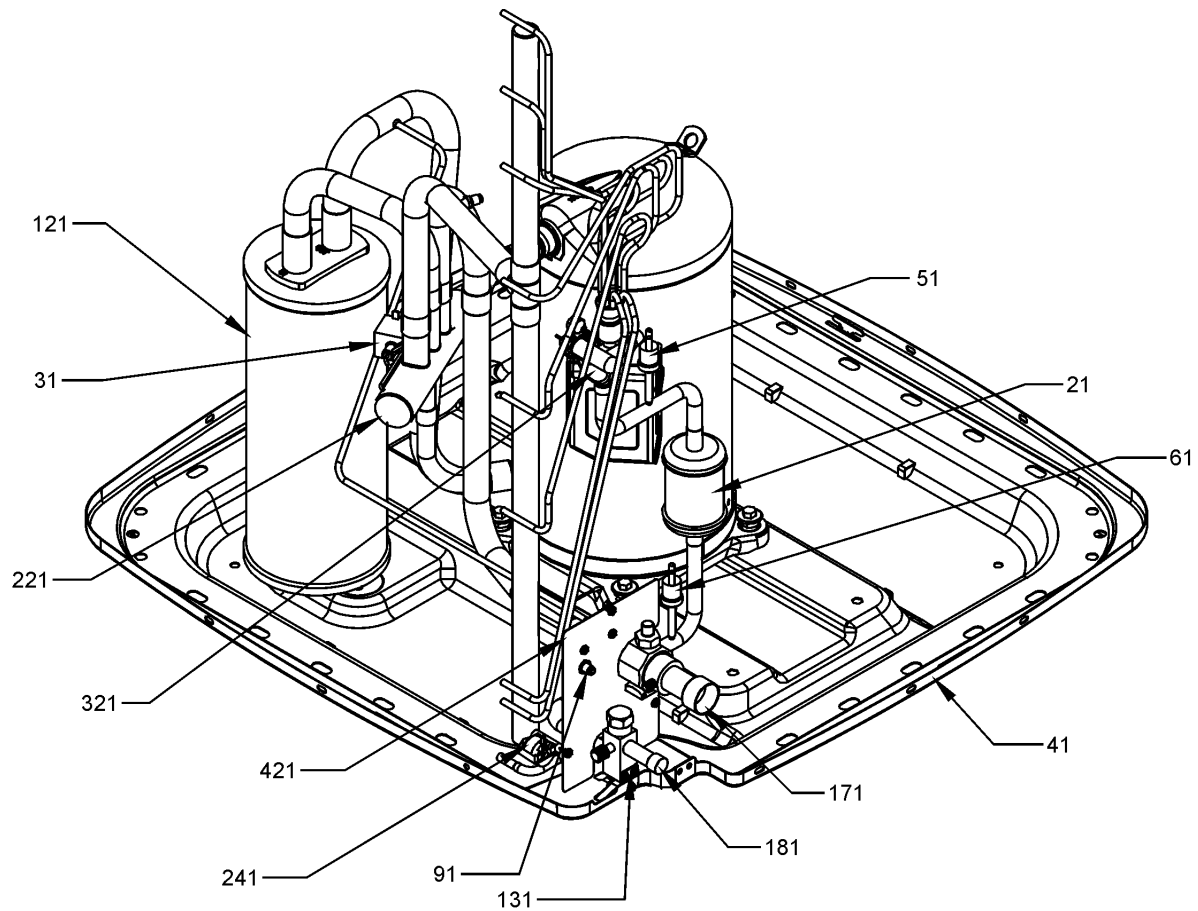


Image 1

Image 2

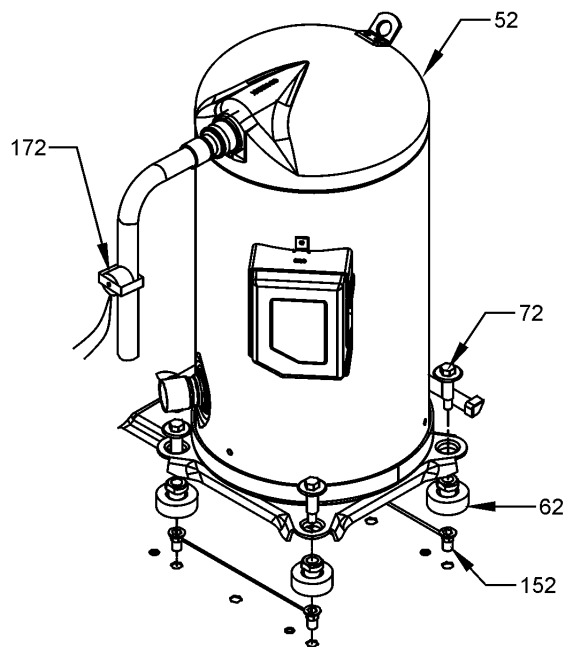
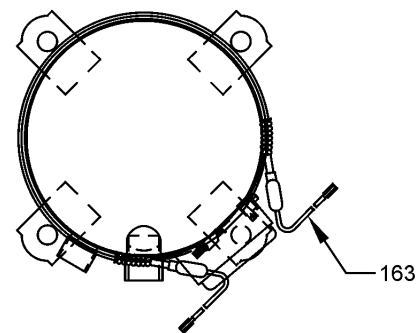


Image 3



TOP VIEW OF COMPRESSOR

Compressor / Tubing Assembly

Ref. Part No:	Part No:	Description:	Ref. Part No:	Part No:	Description:
---------------	----------	--------------	---------------	----------	--------------

Image 1:

21	B1219227	FILTER DRIER (BI-FLOW)
41	0121R00007PDG	BASE PAN 35"
51	0130M00088	SW-CUTOOUT LOW PRESS
61	0130M00089	SW-CUTOOUT HI PRESS
91	B1787000	VALVE CORE
121	B1226212	ACCUMULATOR
171	B1282574	1 1/8" SERVICE VALVE
181	B1282573	5/8" SERVICE VALVE
221	0151R00000P	VALVE, REVERSING (M3, M4)
221	0151R00001P	VALVE, REVERSING (M1, M2)
241	B1370803	DEFROST THERMOSTAT
321	0151R00029	EXPANSION VALVE
421	4400220PDG	BALL VALVE MOUNTING PANEL
NS	0163M00087	ACCESS FITTING
NS	B9102097	CAP W/O-RING
NS	0159G00003	COMPRESSOR HARNESS (M2)
NS	0159L00053	COMPRESSOR HARNESS (M3)
NS	0130M00083	SOLENOID HARNESS W/1/4" TERM

Image 2:

52	ZP103KCETF5155	COMP, 105,000, 200/230/60/3 (M3)
52	ZP103KCETFD250	COMP, 105000, 460/60/3 (M4)
52	ZP83KCETF5250	COMPRESSOR, 83000, 200/230/60/3 (M1)
52	ZP83KCETFD130	COMPRESSOR, 83000, 460/60/3 (M2)
62	0164M00018	COMPRESSOR GROMMET (QTY 4)
72	B1393740	COMPRESSOR BOLT & SLEEVE (QTY 4)
152	B1393027	HEX NUT INSERT 5/16-18 (QTY 4)

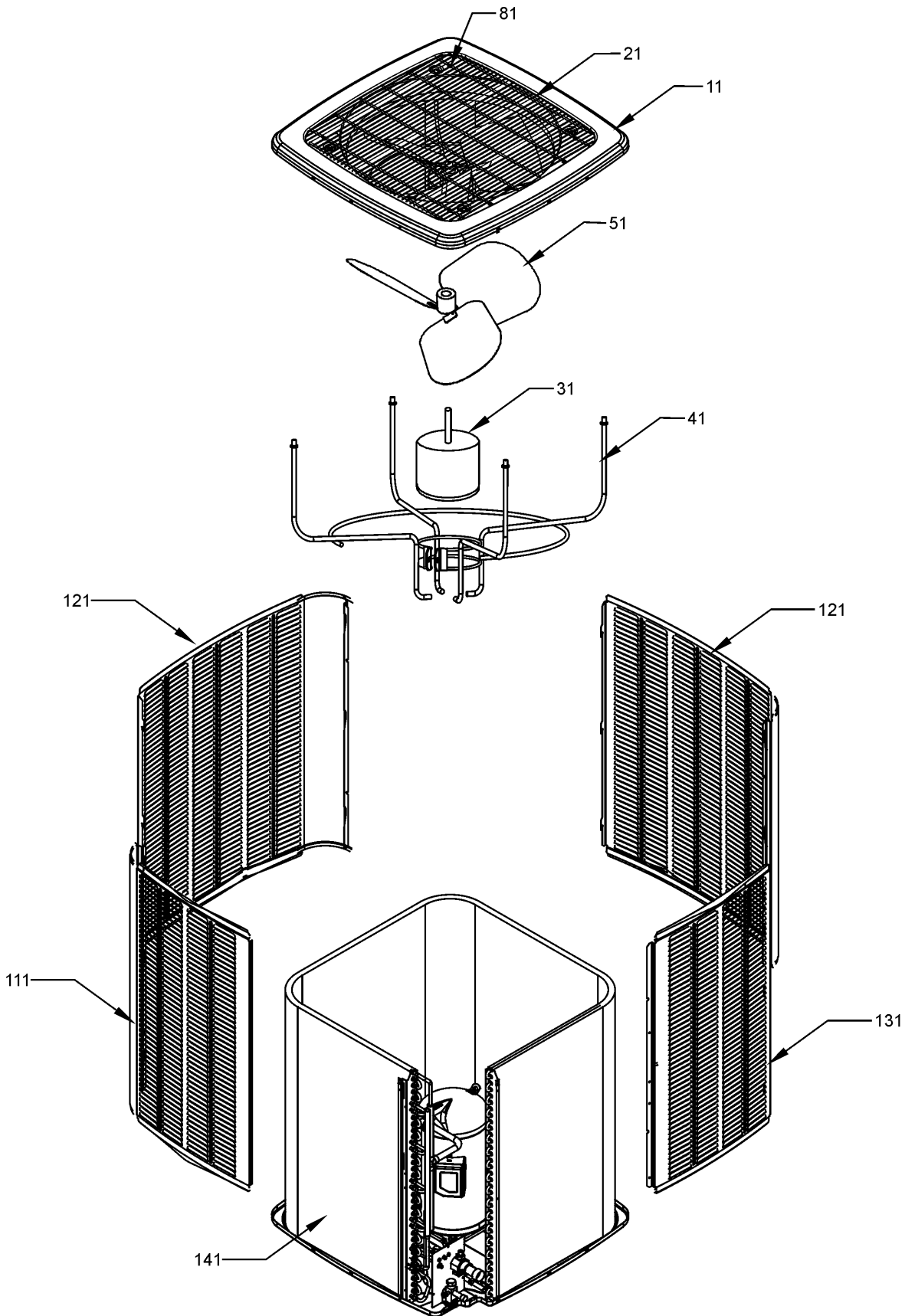
Image 3:

163	0130L00021S	HEATER, CRANKCASE 460V, 90W (M2, M4)
163	0130L00020S	HEATER, CRANKCASE 240V, 90W (M1, M3)

Expanded Model Nomenclature

M1 - GSZ110903AA
M2 - GSZ110904AA
M3 - GSZ111203AA
M4 - GSZ111204AA

Coil / Cabinet Top / Side Panels



Coil / Cabinet Top / Side Panels

Ref. Part No:	No:	Description:	Ref. Part No:	No:	Description:
---------------	-----	--------------	---------------	-----	--------------

Image 1:

11	0121R00013PDG	VENTURI TOP PANEL 35"
21	0152R00003	WIRE GRILL 35"
31	0131M00040S	COND MOTOR 1 HP, 1 SP, 230V (M1, M3)
31	0131M00041S	COND MOTOR 1 HP, 1 SP, 460V (M2, M4)
41	0121R00003	MOTOR MOUNT BRACKET
51	B1086768	FAN BLADE 26"
81	0163M00003P	SCREW #10 X 1/2, A, SLOT, SR, BLACK (QTY 4)
111	0121R00043PDGB	LOUVERED SIDE PANEL [LT OF CNTL PNL]
121	0121R00047PDGB	LOUVERED SIDE PANEL (QTY 2)
131	0121R00051PDG	LOUVERED SIDE PANEL [RT OF CNTL PNL]

Expanded Model Nomenclature

M1 - GSZ110903AA
M2 - GSZ110904AA
M3 - GSZ111203AA
M4 - GSZ111204AA