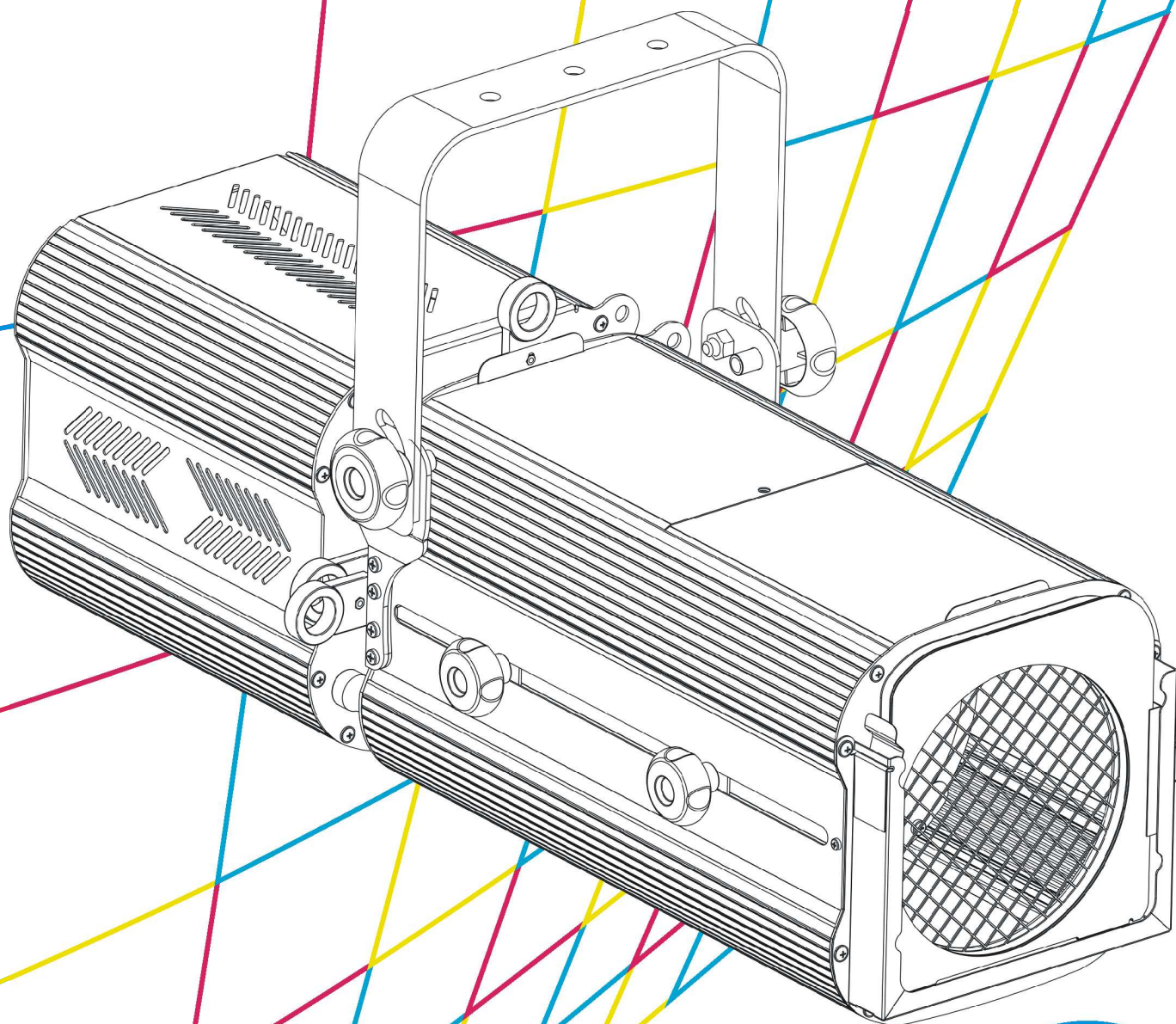


PROFILO LED 150



User's Manual rel 1.0 **GB**

D.T.S. Illuminazione s.r.l. – ITALY
<http://www.dts-lighting.it>



The Lighting Company

Made in Italy

Le informazioni contenute in questo documento sono state attentamente redatte e controllate. Tuttavia non è assunta alcuna responsabilità per eventuali inesattezze. Tutti i diritti sono riservati e questo documento non può essere copiato, fotocopiato, riprodotto per intero o in parte senza previo consenso scritto della D.T.S .

D.T.S. si riserva il diritto di apportare senza preavviso cambiamenti e modifiche estetiche , funzionali o di design a ciascun proprio prodotto. D.T.S non assume alcuna responsabilità sull'uso o sull'applicazione dei prodotti o dei circuiti descritti.

The information contained in this publication has been carefully prepared and checked. However, no responsibility will be taken for any errors. All rights are reserved and this document cannot be copied, photocopied or reproduced, in part or completely, without prior written consent from D.T.S.

D.T.S. reserves the right to make any aesthetic, functional or design modifications to any of its products without prior notice. D.T.S. assumes no responsibility for the use or application of the products or circuits described herein.

Les informations contenues dans le présent manuel ont été rédigées et contrôlées avec le plus grand soin. Nous déclinons toutefois toute responsabilité en cas d'éventuelles inexactitudes. Tous droits réservés. Ce document ne peut être copié, photocopié ou reproduit, dans sa totalité ou partiellement, sans le consentement préalable de D.T.S.

D.T.S. se réserve le droit d'apporter toutes modifications et améliorations esthétiques, fonctionnelles ou de design, sans préavis, à chacun de ses produits. D.T.S. décline toute responsabilité sur l'utilisation ou sur l'application des produits ou des circuits décrits.

Las informaciones contenidas en este documento han sido cuidadosamente redactadas y controladas. Con todo, no se asume ninguna responsabilidad por eventuales inexactitudes. Todos los derechos han sido reservados y este documento no puede ser copiado, fotocopiado o reproducido, total o parcialmente, sin previa autorización escrita de D.T.S.

D.T.S. se reserva el derecho a aportar sin previo aviso cambios y modificaciones de carácter estético, funcional o de diseño a cada producto suyo. D.T.S. no se asume responsabilidad de ningún tipo sobre la utilización o sobre la aplicación de los productos o de los circuitos descritos.

INDEX:

1- SYMBOLS	4
2- GENERAL WARNING	4
3- GENERAL WARRANTY CONDITION	4
4- TECHNICAL FEATURES	5
5- MAIN ELECTRICAL CHARACTERISTICS	6
6- ACCESSORIES	6
7- IMPORTANT SAFETY INFORMATION	7
7.1 Fire prevention	
7.2 Prevention of electric shock	
7.3 Safety	
8- INPUT / OUTPUT CONNECTIONS	7
9- DMX SIGNAL CONNECTION	8
9.1 DMX Addresses	
9.2 Selecting the DMX address	
10- FIRMWARE UPDATING	9
11- DISPLAY FUNCTIONS	10
12- SERVICE MENU	14
13- DMX PROTOCOL	15

1- SYMBOLS

Graphic symbols used on this manual



THIS SYMBOL INDICATES A HOT SURFACE



THIS SYMBOL INDICATES ELECTRIC SHOCK RISK



THIS SYMBOL INDICATES GENERAL RISK



THIS SYMBOL MEANS “DO NOT PLACE THE UNIT ON INFLAMMABLE SURFACES”



THIS SYMBOL INDICATES THE MINIMUM DISTANCE TO BE KEPT BETWEEN THE DEVICE AND THE LIT OBJECT

2- GENERAL WARNING

Read the instruction contained in this user manual carefully, as they give important information regarding safety during installation , use and maintenance.

The device is not for domestic use and must be installed by a qualified electrician or experienced person.

Always disconnect the device from the mains before maintenance.

The device must always be equipped with an efficient ground connection.

3- GENERAL WARRANTY CONDITIONS

The unit is guaranteed for 36 months from the date of purchase against manufacturing material defects.

4- TECHNICAL FEATURES

OVERVIEW

PROFILO LED 150 is a professional shaper featuring a single high-power White LED 3.000K (1.800 Lux at 5 m) and 13,5° - 30° linear zoom with high-efficiency optical system.

PROFILO LED 150 features an internal rotating system with four removable shutters, mounted between plates with anti-abrasive surface.

The unit is wireless ready.

PROFILO LED 150 is a modern alternative to conventional theatre lights, improving light quality, flexibility of use and installation, energy savings and component duration. The dimming curves are similar to those of halogen lamps.

The connectors are Powercon In & Out and 5 poles DMX In & Out.

PROFILO LED 150 is contained in a strong housing with folded edges, designed to resist all the rigors of continuous use.

PRODUCT CODES:

03.TP012	PROFILO LED 150 Z 13,5° - 30°*3000K *Black finish
03.TP013	PROFILO LED 150 Z 13,5° - 30°*4000K *Black finish
03.TP014	PROFILO LED 150 Z 13,5° - 30°*5600K *Black finish

LED Technology

1 x White LED 3.000K, CRI>90

Also available as 4.000K and 5.600K LEDs

Optical group

13,5° - 30° linear zoom with high-efficiency optical system

Shutters

Internal rotating system with four removable shutters

Control

4 DMX channels

LED display + 4 soft keys

Wireless ready

Connectors

Power supply: Powercon In & Out Connector

DMX: 5 poles In & Out Connector

Power supply

Electronic full-range AC 90-260 V 50 / 60 Hz

5- MAIN ELECTRICAL CHARACTERISTICS

Input Voltage Range : Vin 90 - 260 Vac
 Frequency : 50 / 60 Hz
 Power Consumption Range : 5 - 160 W
 Power Factor (Pf) : 0.95 electronic PFC controller
 Efficiency : 95% typical

Control Input:

Control Signal : DMX 512
 Dimming System : Constant Current PWM
 Address Range : DMX 512 channels addressable by display

6- ACCESSORIES

As standard

1 x User's Manual
 1 x POWERCON male cable connector (D.T.S. Code: 0520P014)
 1 x XLR 5 pins male cable connector (D.T.S. Code: 0508B028)
 1 x XLR 5 pins female cable connector (D.T.S. Code: 0508B027)
 1 x Filterframe *Black finish (D.T.S. Code: 02M00420.46)

Optional (on request)

* Iris (D.T.S. Code: 03.TA201)
 * Gobo holder "B" type (D.T.S. Code: 03.TA202)
 * Filterframe *Black finish (D.T.S. Code: 02M00420.46)
 * "C" Clamp G60 (Max. Load. 50 Kg) *Black finish (D.T.S. Code: 0521A004)
 * "C" Clamp G60 (Max. Load. 50 Kg) *Chrome finish (D.T.S. Code: 0521A004.20)
 * Safety wire 3 mm x 60 cm (D.T.S. Code: 0521A010)

DIMENSIONS

Unit Dimensions

(LxWxH)

746 x 300,5 x 388,2 mm

Packing Dimensions

(LxWxH)

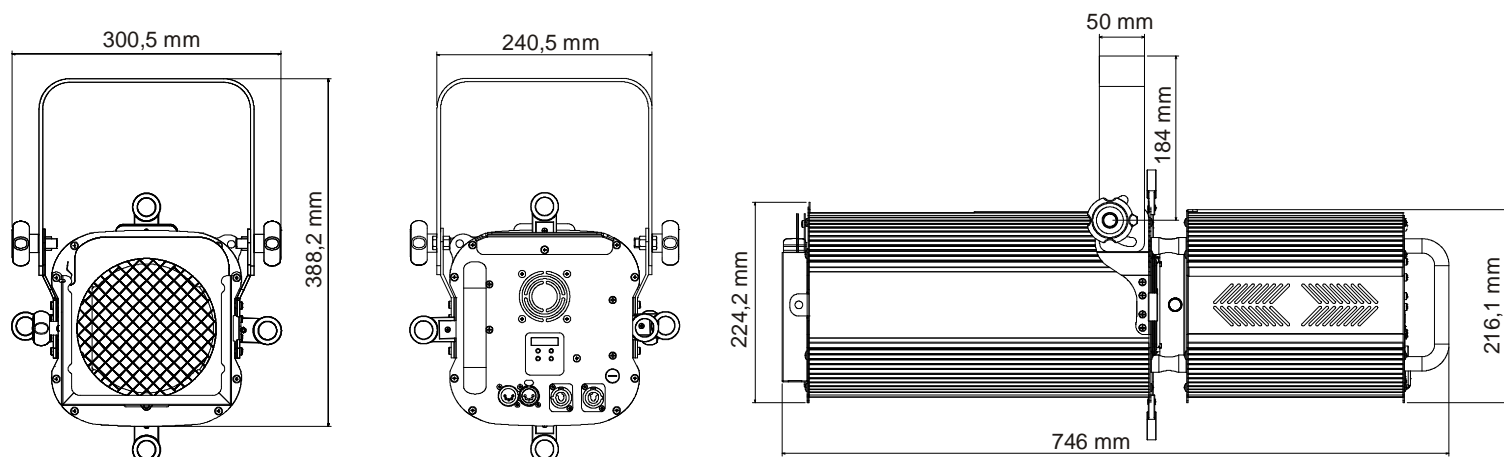
810 x 350 x 360 mm

Weight

13,5 Kg

Weight

15,5 Kg



7- IMPORTANT SAFETY INFORMATION

7.1 Fire prevention:

Never locate the fixture on any flammable surface.

Minimum distance from flammable materials: 10 cm.



Minimum distance from the closest illuminable surface: 30 cm. (130cm)

Replace any blown or damaged fuses only with those of identical value (3,15 AT).

7.2 Prevention from electric shock:



High voltage is present inside the unit.

Unplug the unit prior to performing any operation which involves touching the inside of the unit.

This equipment must be grounded, do not connect to non-grounded supplies.

The use of a thermal magnetic circuit breaker is recommended for each PROFILO LED 150 unit.

Use only AC supplies 90-260V, 50 / 60 Hz.

PROFILO LED 150 should never be located in position exposed to rain or in areas of extreme humidity.

A good air ventilation is essential for proper equipment work.

7.3 Safety:



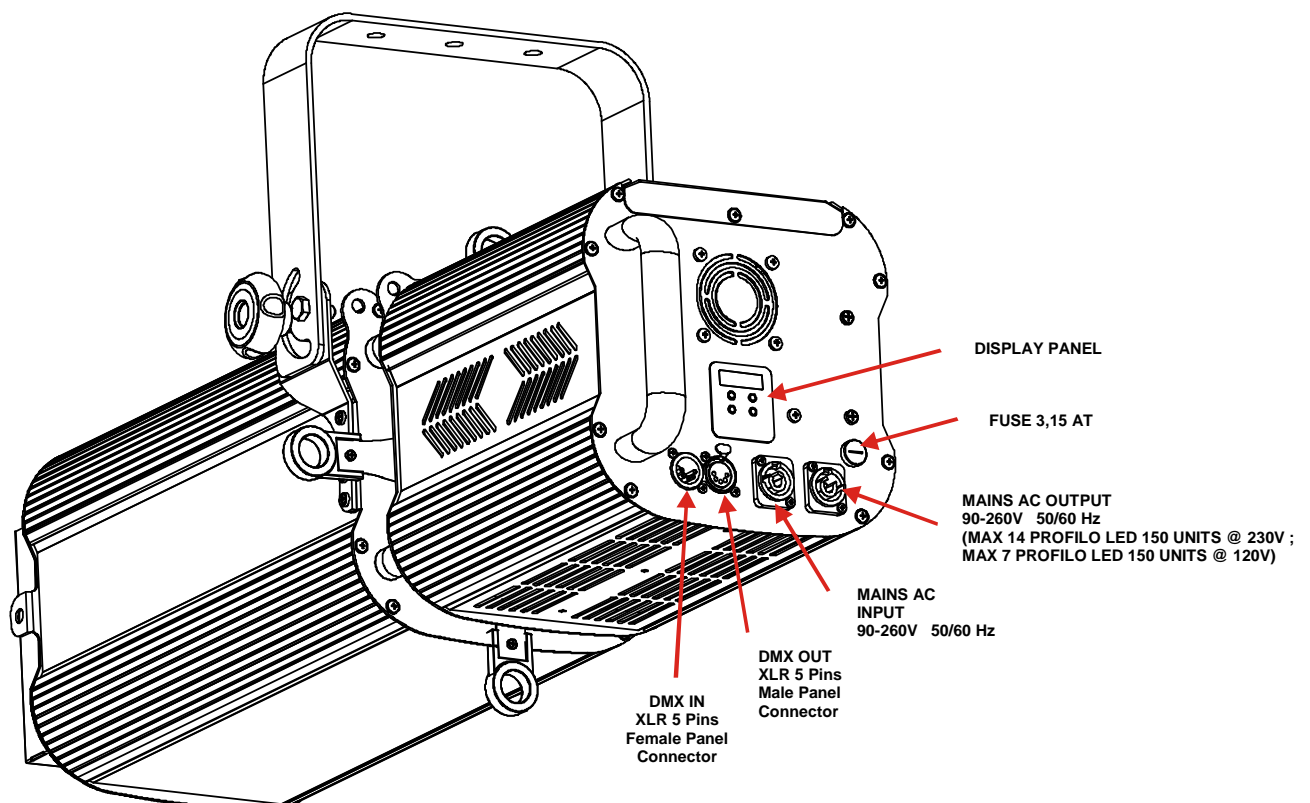
The external surface of the unit may exceed 50°C; never handle the unit until at least 5 minutes have elapsed since the unit was turned off.

Never install the unit in an enclosed area lacking sufficient air flow.

The ambient temperature should not exceed 40°C and should not be lower than -10°C.



8- INPUT / OUTPUT CONNECTIONS



9- DMX SIGNAL CONNECTION:

The unit operates using a digital DMX 512 signal.

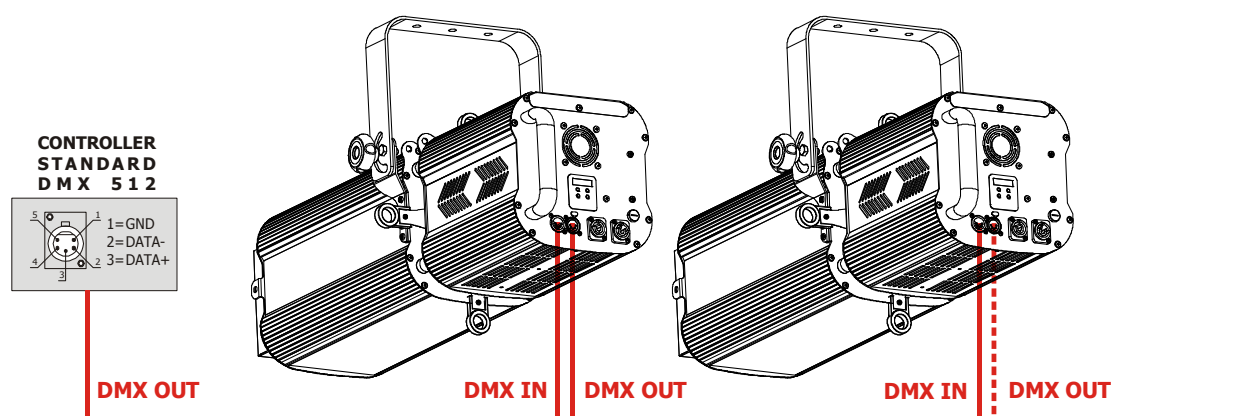
Connection between the controller and the unit or between units must be carried out using a two pair screened \varnothing 0.5 mm.

Ensure that the conductors do not touch each other.

Do not connect the cable ground to the DMX connector chassis.

The plug housing must be isolated. Connect the mixer signal to the DMX IN projector plug and connect it to the next projector by connecting the DMX OUT plug on the first unit to the DMX IN plug of the second one.

In this way, all the projectors are cascade connected.



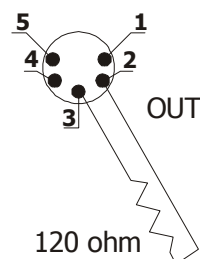
If the display showing the DMX address flashes, then one of the following errors has occurred:

- DMX signal not present
- DMX reception problem

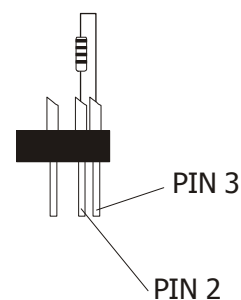
For Installations where long distance DMX cable connections are needed, we suggest to use a DMX terminator.

The DMX terminator is a male XLR 3-5 pins connector with a 120 ohm resistor Between pin 2 and 3.

The DMX terminator must be plugged into the last unit (DMX out panel connector) of the DMX line.



PLACE A 120 OHM RESISTOR BETWEEN PIN 2 AND 3 OF A MALE XLR CONNECTOR AND PLUG IT INTO THE DMX OUT PANEL CONNECTOR OF THE LAST UNIT CONNECTED TO THE DMX LINE



9.1 DMX addresses

PROFILO LED 150 can be controlled with 2 DMX channels.
In order to use the unit in 2 channels, set the following addresses on the mixer:

Projector 1	A001	
Projector 2	A003	If you want to select the next projector, just add "2"
Projector 3	A005	
.....	A.....	
projector 6	A011	

9.2 Selecting the DMX address

- 1) Press the UP-DOWN key until you reach the required DMX address. The numbers on the display will start to flash (but the new DMX address hasn't yet been set).
- 2) Press ENTER to confirm your selection. The numbers on the display will stop flashing and the projector is now controlled by the new DMX address.

TIPS: if you keep pushed the UP or DOWN keys, the channels are calculated more quickly and you get a faster selection.

- 2) Press ENTER to confirm your selection. The numbers on the display will stop flashing and the projector is now controlled by the new DMX address.

10- FIRMWARE UPDATING

Warning:

This procedure require a base knowledge of Windows computer applications.
Please refer to an authorised D.T.S. service centre.



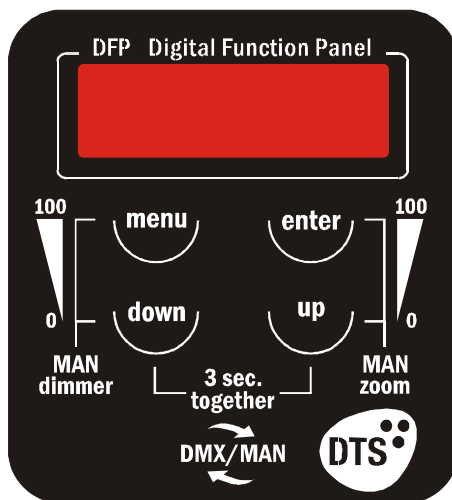
To update the software version of the PROFILO LED 150 you need:
D.T.S. RED BOX interface (D.T.S. Code: 03.LA.008).
USB-DMX Driver for the D.T.S. RED BOX interface.
D.T.S. Firmware upgrade utility program.
(The driver and the installation procedure are available in our web site
www.dts-lighting.it)

Updating the software version.

Please follow the procedure below to perform the update:

1. Install the D.T.S. RED BOX USB-DMX driver on the PC you will use to update the unit software.
2. Connect the D.T.S. RED BOX interface to the PC by using a USB cable.
3. Connect the D.T.S. RED BOX interface to the fixture by using a DMX cable.
4. Download the new software version into the unit by using D.T.S. Firmware upgrade utility program.

11- DISPLAY FUNCTIONS



DISPLAY FUNCTIONS

The PROFILO LED 150 display panel shows all the available functions . Using these functions, it is possible to change some of the parameters and add some functions. Changing the D.T.S. setting can vary the functions of the unit so that it does not respond to the DMX 512 used to control it. Carefully follow the instructions below before carrying out any variations or selections.

NOTE: the symbol shows which key has to be pushed to obtain the desired function.

Software version 1.21

				Floor Position	
REVERSE DISPLAY Reverses display's reading depending on the mounting position (on the ground or suspended).				Suspended Position	
DISPLAY STAND BY To turn off the display (after 5 seconds) Or leave it always on.				Display Off	
				Display Always on	

			Default DMX Mode 2 Channels
DMX MODE To select DMX mode : 2 DMX channels mode (default), 1 DMX channel mode or manual mode. Manual mode can also be activated by pressing at the same time the "UP" + "DOWN" buttons on unit display for 3 seconds ("A001").			1 DMX channel mode
			Manual Mode



LED



Min

Default = 0

**LED**

Led Min/Max, Smooth, Compression, Sync and Boost level values settings



MAX

Default = 100



SMTH



4

Range = Off-20
Default = 4

**LED MINIMUM VALUE**

This menu allow to select the minimum levels for white



COMP



QUAD

Quadratic =
Linear light
output

**LED MAXIMUM VALUE**

This menu allow to select the maximum levels for white



54nc



610

Range = 610 Hz - 10
KHz
Default = 610 Hz



These settings have priority
on Master Dimmer channel



65t



on

Boost mode
activated

**SMOOTH VALUE**

This menu allow to select the value of
the delay (in milliseconds) for Dimmer
channel reaction to DMX or Program
variation.

Off = 25 ms. Instant response to DMX
variation.

20 = 250 ms. Smooth response to DMX
variation.

With BOOST active, the LED'S
current is set to Max value.
(30% more gain compared to
BOOST Off)
Default = Enabled

off

Boost mode
deactivated

**COMPRESSION**

This menu allow to select between
Linear current output or Quadratic
current output for LEDs
Default = Quadratic

SYNC

This menu allow to adjust the PWM
frequency value (Hz) in order to reduce
flickering in the process of your camera
recordings

BOOST DRIVING

This menu allow to increase the LED's
current from Min to Max



dimmer



255

**DIMMER**

Dimmer intensity level (Range = 0 - 255)

Active only if MODE = 1 DMX channel mode



Ir



off

**INFRARED MODE**

Infrared remote control.

By activating Ir Mode, it will be possible to
navigate through the unit functions by using
the D.T.S. infrared remote control
(D.T.S. Code: 0514L008)

on



Note:

External infrared remote
sensor needed (D.T.S. Code:
03.LA.016)

NOT IMPLEMENTED ON PROFILO LED 150



UDNH



SEL



OFF

Wireless
Enabled

WIRELESS DMX

Wireless DMX enabled / disabled.

By activating WDMX MODE, it will be possible to control PROFILO LED 150 via D.T.S. ANTENNA Wireless DMX Transmitter (cod. 03.E1271).

Active only on PROFILO LED 150 with Wireless on board

ON

Wireless
Disabled

UnLH



UNLINK = LOG OUT

Logging on PROFILO LED 150 (WIRELESS DMX must be enabled on PROFILO LED 150 unit)



To log on the PROFILO LED 150 in the WIRELESS system simply press and quickly release the function button on the transmitter.

The transmitter will start flashing rapidly red/green scanning for new free receivers / PROFILO LED 150 units. When a PROFILO LED 150 logs on to the transmitter the LINK green light on transmitter starts to flash rapidly.

After approximately 10 seconds the transmitter will jump back to normal mode and continue transmitting data. The PROFILO LED 150 now try to synchronize to the transmitter.

When synchronized to the transmitter, 2 different modes are possible:

1. Antenna transmitter has detected and transmits a DMX signal, in this mode a solid green light is seen on the transmitter and solid display is seen on PROFILO LED 150.
2. No DMX signal connected, the Antenna transmitter will flash red/green; display blinking on PROFILO LED 150.

To log PROFILO LED 150 off from a transmitter simply select UNLINK function **UnLH** under WIRELESS DMX MENU **UDNH** and press ENTER.

When PROFILO LED 150 is logged off, the display is blinking, meaning its available for log in on a new transmitter.

Logging out a PROFILO LED 150

Select UNLINK function **UnLH** under WIRELESS DMX MENU **UDNH** and press ENTER.

When PROFILO LED 150 is logged off the display is blinking, meaning its available for log in on a new transmitter.

Logging out all PROFILO LED 150 units linked to a transmitter

Press and hold the function button of the transmitter for about 3 seconds. When the display is blinking on PROFILO LED 150, it mean that the units are logged out.

Transmitter, Status LED

Flashing red/green, no dmx connected.

Solid green, dmx signal detected and transmitted.

Fast flashing red/green, log in mode (every free PROFILO LED 150 unit, not logged in to any other transmitter, will be logged on)

PROFILO LED 150 Status

Display blinking = not logged on to a transmitter (free).

Solid display = logged on to a transmitter and receiving dmx data.



ENER



SEL



OFF



Default = OFF

EMERGENCY

Emergency operating mode.

By setting Emergency mode, it

will be possible to select

Dimmer intensity level that will

then ran if DMX signal is

missing or not available.

Usefull for Emergency EXIT

dimm



Default = 255



on



DFSE



SURE



DEFAULT SETTING

To restore default settings



TEMP



0250

Internal unit temperature
(° Celsius)

TEMPERATURE

Internal unit temperature



LIFE



LED



LIFE TIME

This menu show the total unit life time

and the LED life time

Unit



Soft



V.1.21

SOFTWARE

Software version

12- SERVICE MENU

For technical personnel only

To operate this menu:

-Connect the unit to the main

-While reset is running, press the MENU and ENTER keys at the same time.

LEnS   **Pc** 

LENS
PC or Fresnel
lens selection

FrES 

Prod   **Prof** 

PRODUCT
Product model selection
PROFILO LED 150 (Def.)
or SCENA LED 150

ScEn 

cUr   **3000** 

CURRENT
From min 20 mA to max 600 mA
Default = 300 mA

ZEro   **0050** 

ZERO OFFSET
From min 1 mm to max 50 mm
Default = 5 mm

rAnG   **1030** 

RANGE
From min 30 mm to max 150 mm
Default = 103 mm

SPd   **0200** 

SPEED
Maximum speed
From min 1 mm/s to max 400 mm/s
Default = 20 mm/s

Acc   **0100** 

ACCELERATION
Maximum Acceleration/Deceleration
From min 1 mm/s² to max 400 mm/s²
Default = 10 mm/s²

rAt   **0582** 

RATIO
Transmission ratio.
From min 10 mm/turn to max 200 mm/turn
Default = 58.2 mm/turn

RESM



SURE



RESM

To restore service and user default settings

ESC



EXIT

Exit from service menu

13- DMX PROTOCOL

2 CHANNELS MODE

- 1 SHUTTER / STROBE
- 2 DIMMER

DMX CHANNEL	1	Parameter: SHUTTER / STROBE
-------------	---	------------------------------------

DMX range Value	Mid Point DMX value	Move Range (degrees)	Mode	Option	Function
000-009					Black-out
010-019					Open
020-029					Black-out
030-119					Strobe (from 3.27 s to 30 ms)
120-149					Pulse up (from 42.6 s to 120 ms)
150-179					Pulse down (from 42.6 s to 120 ms)
180-204					Random strobe (Dimmer channel active)
205-229					Full independent Random Strobe (Dimmer channel disabled)
230-255					Open

DMX CHANNEL	2	Parameter: DIMMER
-------------	---	--------------------------

DMX range Value	Mid Point DMX value	Move Range (degrees)	Mode	Option	Function
000-255					Proportional dimmer

The information contained in this publication has been carefully prepared and checked. However, no responsibility will be taken for any errors. All rights are reserved and this document cannot be copied, photocopied or reproduced, in part or completely, without prior written consent from D.T.S.

D.T.S. reserves the right to make any aesthetic, functional or design modifications to any of its products without prior notice. D.T.S. assumes no responsibility for the use or application of the products or circuits described herein.

MADE IN ITALY



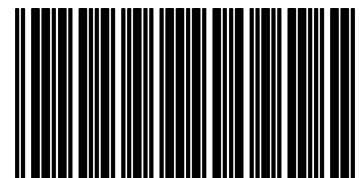
The Lighting Company

ISO 9001:2008

D.T.S. quality system
is certified to the
ISO 9001:2008 standard



D.T.S. products are designed
and manufactured at the D.T.S.
plants in Italy



05171200

D.T.S. Illuminazione s.r.l. – Via Fagnano Selve 10-12-14 47843
Misano Adriatico (RN) Italia
Tel.: +39 0541 611131. Fax + 39 0541 611111
info@dts-lighting.it www.dts-lighting.it