

# WINAUTO



(044)361-05-06

ICQ:495-089-192

(067)469-02-12

ICQ:613-211-859

(099)048-99-03

(093)672-77-76

## User's Manual

Facia Plate Scosche SI2223B for Chevrolet Aveo

In the online store Winauto you also can [buy Facia Plate Scosche SI2223B Chevrolet Aveo](http://winauto.ua). Delivery in Kyiv and throughout Ukraine with payment upon receipt!

# [winauto.ua](http://winauto.ua)



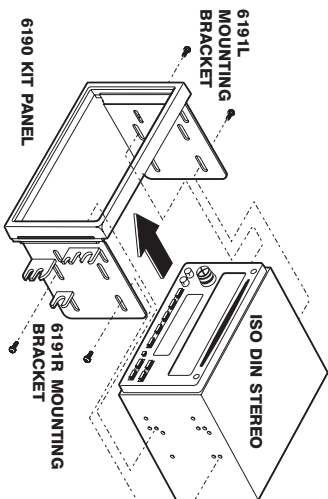
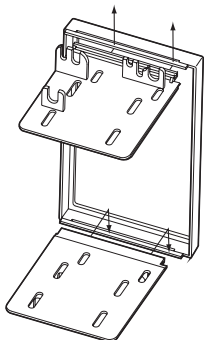
Sale - Car Receivers - Facia Plates - Head Units - Car TVs and Monitors - Antennas - Car Audio - DVR - GPS Navigation - Trip Computers - Car Alarm Systems - Mechanical Locking - Parking Systems - Car Cameras - Xenon and Lights - Established Optics - Tuning - Car Heating and Cooling - Sound Marine and Electronics - Car Accessories - Isolation - Installation Components - Batteries, Power - Oils and Fluids -



## ASSEMBLING THE KIT

### ISO DIN MOUNT

1. Align right side ISO Mounting Bracket 6191R and left side ISO Mounting Bracket 6191L with kit panel 6190. Place mounting brackets with matching locating slots on kit panel (two locations on each side of mounting hole).
2. Align ISO DIN aftermarket stereo with assembled kit panel. Use hardware supplied with aftermarket stereo to 6191L/R.

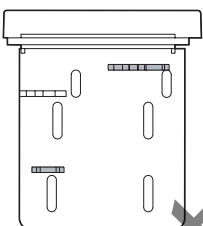


### 2004-06 CHEVROLET AVEO

#### RADIO REMOVAL

1. Using a panel removal tool, remove both side trim pieces, one on each side of the stereo and HVAC.
2. Extract (4) 10mm Phillips head screws securing the stereo to the dash. Disconnect and remove.

(USE SHADED AREAS ON BOTH MOUNTING BRACKETS)

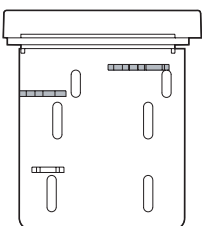


### 2004-06 SUZUKI FORENZA

#### RADIO REMOVAL

1. Remove temperature control cable located on left side of glove box under dash.
2. Remove AC vent controller cable under steering column on right side.
3. Using a panel removal tool, pry out dash panel surrounding stereo and AC controls.
4. Disconnect plugs and gently pull away.
5. Remove (4) Phillips head screws, unplug stereo and gently lift away.

(USE SHADED AREAS ON BOTH MOUNTING BRACKETS)

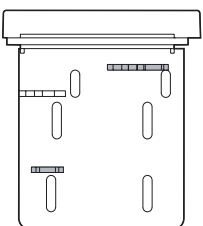


### 2004-05 SUZUKI VERONA

#### RADIO REMOVAL

1. Using a panel removal tool, remove trim around the factory stereo.
2. Extract (4) Phillips Head Screws, unplug stereo and gently lift away.

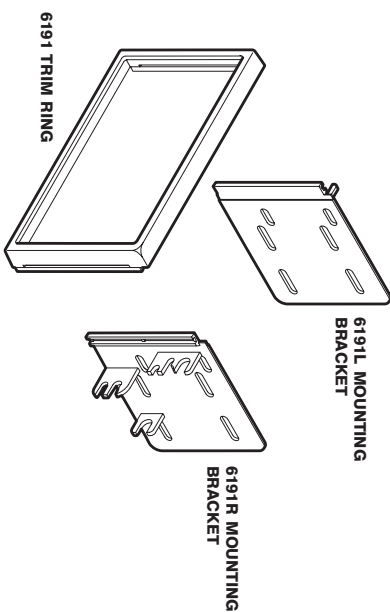
(USE SHADED AREAS ON BOTH MOUNTING BRACKETS)



# SCOSCHE

SI2223B

## IN-DASH INSTALLATION KIT FOR 2004-06 CHEVROLET AVEO; 2004-06 SUZUKI FORENZA; 2005-06 SUZUKI RENO; 2004-05 SUZUKI VERONA



### INTRODUCTION / PRELIMINARY

Thank you for purchasing the Scosche SI2223B Kit. This kit was manufactured with the highest of quality standards.

#### CAUTION:

**DISCONNECT YOUR VEHICLE'S NEGATIVE BATTERY TERMINAL BEFORE THE INSTALLATION TO HELP PREVENT ELECTRICAL DAMAGE. WE RECOMMEND THE USE OF A VOLT/OHM METER OVER A TEST LIGHT TO CHECK WIRING. A TEST LIGHT OR GROUNDED WIRE PROBE CAN CAUSE DAMAGE TO THE VEHICLE'S COMPUTER AND/OR DIAGNOSTIC SYSTEMS. AVOID ALL FACTORY AIR BAG WIRING - AIR BAGS CAN ACCIDENTALLY DEPLOY CAUSING SERIOUS INJURY OR DEATH.**

#### NOTES:

- See your vehicle's instructions for any special tools your installation might require.
- Read all instructions accompanying your car stereo/cassette player for proper wiring and mounting instructions.

### FACTORY WIRING CODES

CAR STEREO CONNECTORS	SIO3B
PROVIDE EASY CONNECTION OF YOUR CAR STEREO TO FACTORY WIRING HARNESS.	
<b>SIO3B</b> 1996-UP Harness	

### LIABILITY DISCLAIMER

This instruction booklet is based on carefully documented data and research of automobile dash disassembly, wire harness/codes and information pertaining to installation of this kit (SI2223B) in 2004-06 Chevrolet and Suzuki Vehicles. Scosche Industries, Inc. can not be held responsible for discrepancies/inconsistencies that may occur due to the automobile manufacturing changes or options, or damage that may occur in the automobile during the installation of components while using this booklet.

If you have any further questions, call our toll free technical help line at: **1-800-621-3695x3**  
© 2007 SCOSCHE INDUSTRIES, INC. SI -02/07 - SI2223 (3000003)