

User manual 

Enjoy the advanced features of this technological product that we have developed with maximum guarantees for you.

HDD Box 350 Connectivity USB 3.0

HDD enclosure (Dual System)
2.5" / 3.5"

1. INTRODUCTION

Soyntec thanks you for purchasing your new Soyntec® HDD Box 350 SATA - USB 3.0. We wish you enjoy using it.

With the last generation of interface USB: USB 3.0, this HDD enclosure accelerates the data transfer rate up to 5 Gbps!, 10 times faster than USB 2.0. Ideal for transferring large files and making backup.

We suggest you read this user manual to enjoy this product with the best performance and in a safe way.

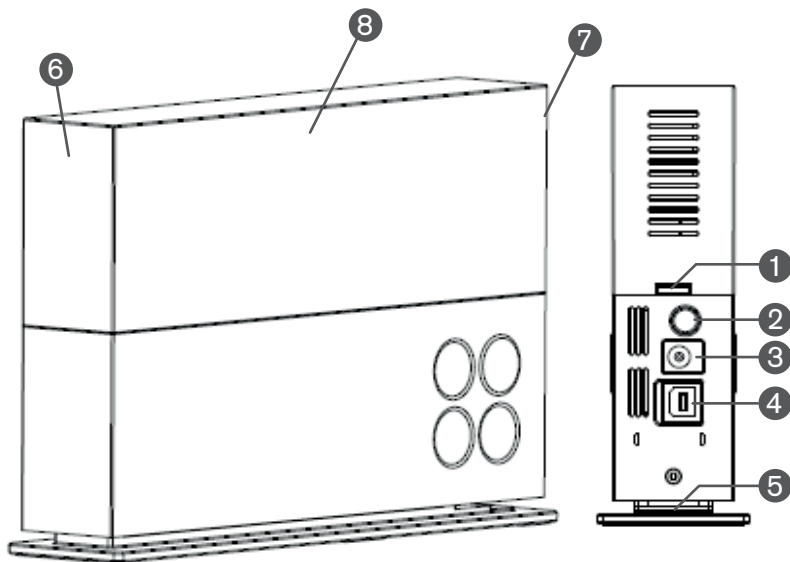
2. FEATURES

- Interface USB3.0 SuperSpeed.
- Data transfer rate up to 5 Gbps!, 10 times faster than USB 2.0.
- Ideal for transferring large files and making backup copies.
- Dual System: allows use of 2.5" or 3.5" SATA hard disk drive.
- Supports SATA hard disk drive with capacity up to 2 TB.
- Elegant screwless design, for easy installation / change of HDD.
- ON/OFF switch.
- Compatible with SATA I / SATA II interface.
- Compatible with USB2.0/1.1/1.0.
- Includes detachable stand for a comfortable transportation.
- Plug & Play.
- Hot swapping.
- LED status indicator.
- Compatible with Windows 98* / ME / 2000 / XP / Vista / Windows 7 / Mac OS X / Linux.

* For the users of Windows 98, it's necessary to download and install the driver available from www.soyntec.com before connecting the HDD enclosure SATA-USB3.0 with computer.

3. PRODUCT CONTENTS

- HDD enclosure Dual System 2.5" / 3.5" SATA - USB 3.0.
- Cable USB 3.0.
- Power adaptor AC/DC 12V.
- Detachable stand.
- User Manual.



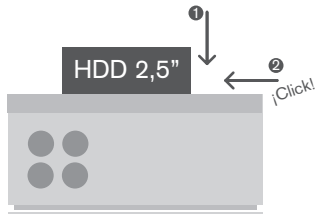
4. INSTALLATION

INSTALLATION FOR 2.5" HDD

1. Remove the top cover (8) of enclosure (pull it up); firstly from the back side (7), pressing the release button (1) with your finger, then from the front side (6).



2. Remove the internal cover of enclosure and insert the hard drive horizontally inside the enclosure, connecting the connector SATA of hard drive with that of the enclosure, push the hard drive firmly until fitting it well with enclosure.



3. After installing the hard drive into enclosure, place back the internal cover in its original position and fit it well.



Then place back the top cover (8) of enclosure, fix firstly the front side (6) and then the back side (7), pressing the release button (1) with your finger to close it well.

4. Connect one end of the USB 3.0 cable (included in the pack) with the USB 3.0 port (4) of the enclosure and connect the other end of cable with an available USB 3.0 port of your computer.

IMPORTANT NOTE: In order to enjoy the speed of USB3.0, the USB cable and the interface USB of computer should be USB3.0 (integrated interface or external interface by Host controller PCI-Express or Host controller ExpressCard). Otherwise, the data transfer speed would be limited by the speed of interface USB of the computer.

5. Now your computer should detect the new hardware, and the LED indicator of status (5) will be keeping on after a correct installation and connection.

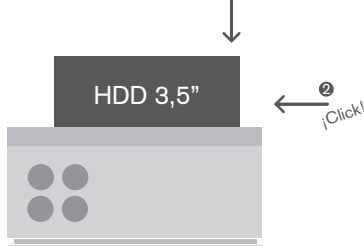
6. You can use the ON/OFF switch (2) to turn on or turn off the hard drive without connecting or disconnecting the power cable. Maintaining the hard drive off while it's not in use will its life.

7. For the 2.5" hard drive, the connection of power cable is optional.

8. To remove the hard drive from enclosure, repeat step 1) and separate the hard drive carefully from the enclosure.

INSTALLATION OF 3.5" HDD

1. Repeat step 1) and step 2) of the previous section. Continue with the installation as indicated in the following steps.





2. After installing the 3.5" hard drive in the enclosure, place back the top cover (8) directly, fix firstly the front side (6) and then the back side (7), pressing the release button (1) with your finger to close it well.

3. After closing well the enclosure, connect one end of the power adaptor cable (included in the pack) with the DC port (3) of enclosure and connect the other end of cable with an electrical outlet.

IMPORTANT NOTE: In the case to use a 3.5" HDD, it's strongly recommended to connect firstly the power adaptor, then the USB 3.0 cable for data transfer.

4. Repeat steps 4) 5) and 6) of previous section to finish the installation of 3.5" hard drive in the enclosure.

5. To remove the hard drive from enclosure, repeat step 1) of the first section and separate the hard drive carefully from the enclosure.

GENERAL NOTES

The characteristics of equipment will affect the data transfer speed of USB3.0.

You are recommended to use Windows "Safely remove hardware" utility before removing the connection of enclosure from your computer.

5. SPECIAL GUARANTEE

Soyntec guarantees that your product does not have any material, design or manufacture defect and provides 36 month guarantee.

Guarantee procedure:

1. Visit the Support section at <http://support.soyntec.com> and select your product to view the FAQ (Frequently Asked Questions). The solution to your problem is very likely to have been already published there. You will also be able to download user manuals, user guides, drivers and updates.
2. If you can not find an appropriate solution in the Support section, you may send us your enquiry or warranty service request using this mail: supoort@soyntec.co.uk
3. You may also reach by phone at the warranty service number 902 294 294. Make sure to have your purchase receipt or invoice and the product's serial number at hand when you call.
4. Alternatively, you may prefer to contact the distributor from which you purchased the product, presenting them the receipt or invoice. Specifications are subject to change without notice.

© 2010 by Soyntec. All rights reserved.

Trademarks

All company, brand and product names are trademarks or registered trademarks of their respective companies.

6. AGREEMENT DECLARATION



Supplier: Energy Sistem Soyntec S. A.

Address: Pol. Ind. Finestrat C/ Calpe 1, 03509 Finestrat, Alicante - ESPAÑA Tel: 902 388 388 Fax: 902 119 034 NIF: A53107488

We declare under our own exclusive responsibility the product agreement:

Soyntec® HDD Box 350 SATA - USB 3.0

Manufacturing country: China

Which concern this agreement, with the norm(s) or other(s) normative(s) document(s): EMC DIRECTIVE 2004/108/EC (EN55022 / EN55024)

In accord with the disposition of the Directive 93/68/CEE, from the European Parliament and the Counsel from 22nd July 1993, transposed to the Spanish legislation through the Real Decree 1950/1995, from 1st December 1995.

SOYNTEC 

www.soyntec.com