
Fantasea Line
FP7000 Housing

(Cat. No. 1118)

For Nikon Coolpix P7000

Instruction Manual



TABLE OF CONTENTS

TABLE OF CONTENTS	2
DISCLAIMER	3
INTRODUCTION	3
GENERAL INFORMATION.....	3
FEATURES & SPECIFICATIONS.....	4
INCLUDED IN PACKAGE	5
IDENTIFICATION OF HOUSING PARTS	6
THE NIKON COOLPIX P7000 DIGITAL CAMERA	11
SETTING UP THE HOUSING	12
PREPARING THE CAMERA	12
PREPARING THE HOUSING	13
OPENING THE HOUSING.....	13
CHECKING THE O-RING	14
INSTALLING THE CAMERA.....	15
CLOSING THE HOUSING.....	16
REMOVING THE CAMERA FROM THE HOUSING	17
USING THE BUILT-IN CAMERA FLASH	17
OPTIONAL ACCESSORIES	19
EXTERNAL FLASHES	19
LENS ACCESSORIES	21
HOUSING HAND STRAP.....	21
HOT-SHOE CONNECTOR FOR LIGHTING ACCESSORIES.....	21
LEAK DETECTOR.....	22
FP7000 HOUSING ACCESSORY SYSTEM.....	22
CARE & MAINTENANCE	23
FANTASEA PRODUCT CONSUMER LIMITED WARRANTY	24

DISCLAIMER

While every effort has been made in order to ensure that the information included in this instruction manual is accurate and complete, no liability will be accepted for any errors or omissions. Fantasea Line reserves the right to change product specifications and features described herein at any time without prior notice. No part of this instruction manual may be copied, translated or reproduced without the prior written permission of Fantasea Line. Fantasea Line makes no warranties aside from limited product warranty as described at the end of this manual.

INTRODUCTION

Note

Please read this manual carefully in order to properly operate the **FP7000 Housing**. Store this manual in a safe place for further reference once you have read it.

General Information

The **FP7000 Housing** features a new design, specifically created for the Nikon Coolpix P7000 digital camera. The **FP7000 Housing** is manufactured to the highest professional standards of function, style and durability. It is depth rated to 60m/200 feet and is fully functional with ergonomically designed and labeled controls.

The Fantasea **FP7000** is the ultimate waterproof home for the Nikon Coolpix P7000.

The **FP7000 Housing** is ideal for outdoor and underwater photography. Underwater photographers can dive or snorkel and capture all the excitement of this fascinating world, while outdoor photographers also have the option of capturing the action of outdoor and water sports activities, such as paddle sports, sailing, boating, surfing, fishing, hunting, backpacking and camping. The **FP7000 Housing** is shock resistant and protects the camera from water, sand, dust, frost, impact, as well as other damaging elements and harmful occurrences.

The **FP7000 Housing** was designed to be compatible with a complete Accessory System, enabling photographers to enhance the quality of their images.

Features & Specifications

- Depth rated to 60m/200 feet
- Made from durable injection molded Polycarbonate
- Access to all camera controls and functions
- Shock resistant
- Double O-ring main seal
- Special hot-shoe mount for lighting accessories
- Removable double fiber optic cable connection plate
- Removable flash diffuser
- Easy and secure installation of camera
- Labeled controls for comfortable operation
- Compatible with a wide range of underwater photo accessories
- Weight (with camera on land): 1.1 kg
- Weight (with camera in 3.6% salt water): -0.3 kg
- Dimensions: 18 x 15 x 13.5 cm \ 7.2 x 6 x 5.4 inch (W x D x H)

INCLUDED IN PACKAGE



1. FP7000 Housing
2. Removable flash diffuser with secure line
3. Hand lanyard
4. Silicone grease

5. Screwdriver
6. Silica gel packs
7. O-ring remover
8. Spare back door O-ring seal
9. Diffuser quick release secure string (housing side)

IDENTIFICATION OF HOUSING PARTS

Note

1. Please refer to the Nikon Coolpix P7000 camera instruction manual for detailed descriptions and instructions regarding all camera controls and functions.
2. It is strongly recommended that you familiarize yourself with all the controls topside before using these controls underwater.

Top/Front Side of Housing

Corresponding numbered descriptions are found on the following page



Numbered descriptions below refer to corresponding numbers on the top/front housing graphic on the previous page:

1. **Zoom Control** – Turning this control activates the camera zoom button:
 - a. Turn the zoom control clockwise ("W") to zoom out, increasing the area visible in the frame.
 - b. Turn the zoom control counterclockwise ("T") to zoom in, so that the subject fills a larger area of the frame.

Note that housing zoom control directions are opposite to camera zoom button directions when zooming in and out.

2. **Shutter Release** – Activates the camera shutter release button and auto focus prior to taking the picture.
3. **AV/TV** – Activates the camera AV/TV button and allows the command dial control to alternate between adjusting the shutter speed and aperture settings.
4. **On/Off**- Pushing this control activates the camera power switch button.
5. **Command Dial**- Turning this dial swivels the command dial of the camera within an opposite direction. Note that housing command dial directions are opposite to camera command dial directions when turned.
6. **Mode Dial** – Turning this dial allows for changing camera shooting modes.
 - a. In order to for the housing mode dial to indicate the proper mode selected by the camera mode dial, it is recommended to align housing and camera mode dials prior to installing the camera inside the housing. Please refer to the section "Installing the Camera" for further information.
 - b. When housing and camera mode dials are aligned, the mode displayed on the left side of the housing mode dial is the one selected.
 - c. Note: Housing and camera mode dials may not remain aligned during your dive. Therefore, it is important to check the shooting mode selected and displayed on the camera LCD screen when switching modes. Even in such cases, since mode labels on the housing mode dial appear according to their order on the camera mode dial, they can still assist with the amount of turning required in order to reach the desirable shooting mode.
 - d. In order to switch modes, apply slight downward pressure on the mode dial as you rotate it in order to create enough contact pressure to accurately reach the desired mode.

7. **Quick Menu-** Pushing this control activates the camera quick menu button. When the quick menu control is pushed down, a quick menu is displayed for the function that is selected by the Quick Menu Dial.

8. **Quick Menu Dial-** Turning this dial swivels the camera quick menu dial.
 - a. In order for the housing quick menu dial to indicate the proper menu selected by the camera quick menu dial, it is best to align housing and camera quick menu dials prior to installing the camera inside the housing. Please refer to the section “Installing the Camera” for further information.
 - b. When housing and camera quick menu dials are aligned, the menu displayed on the right side of the housing quick menu dial is the one selected.
 - c. Note: Housing and camera quick menu dials may not remain aligned during your dive. Therefore, it is important to check the menu selected and displayed on the camera LCD screen when switching menus. Even in such cases, since menu labels on the housing quick menu dial appear according to their order on the camera quick menu dial, they can still assist with planning the number of swivels required in order to reach the desirable menu.
 - d. In order to switch menus, turn the housing quick menu dial.
 - e. Note that since the rotary wheel cannot be manipulated in order to set the various menu items, the AV/TV control and command dials should be used for navigating through the menus and making selections.

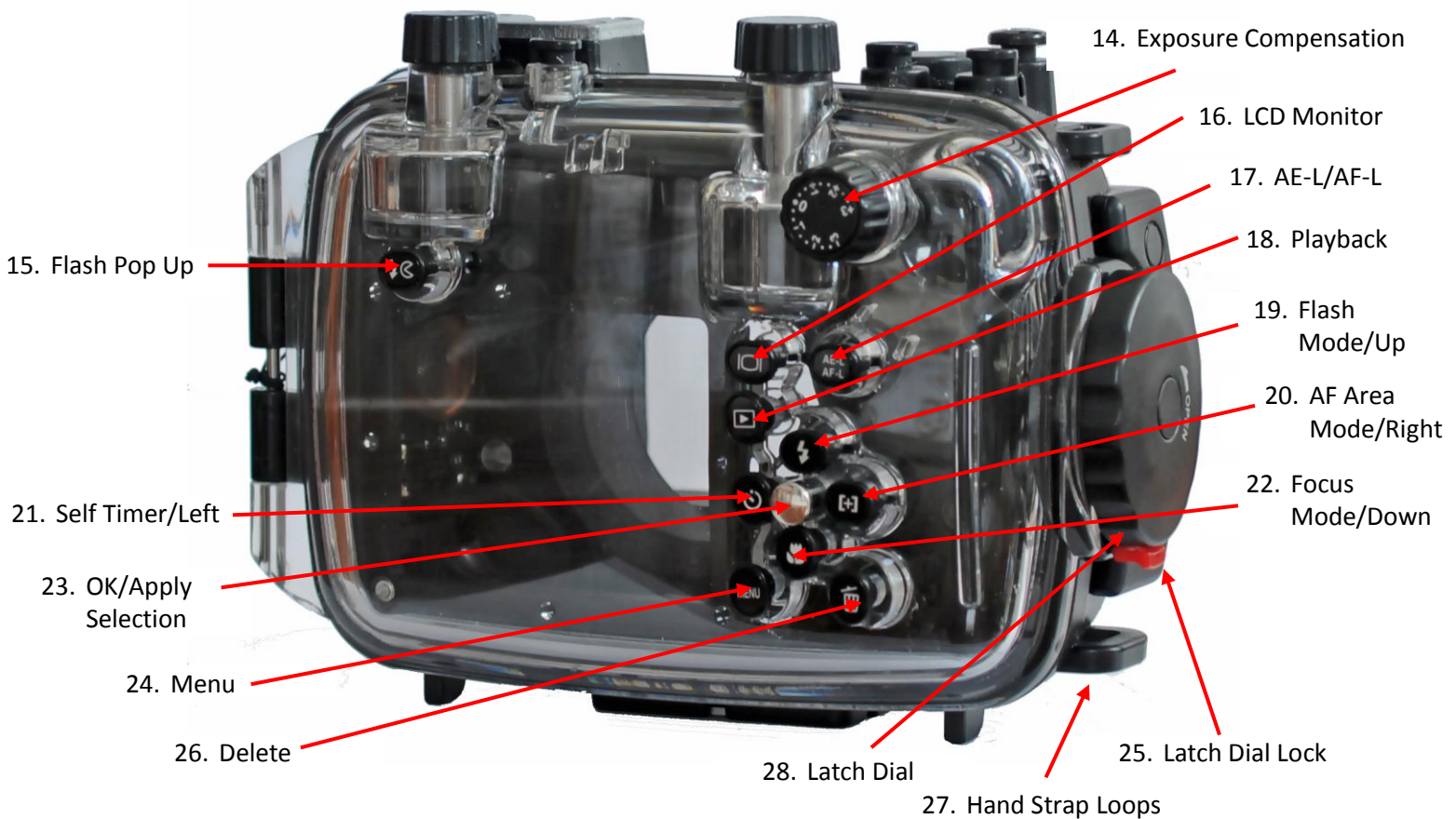
9. **Hot-Shoe Mount for Lighting Accessories-** Enables mounting a flash, night dive torch or focus light on top of the housing by using a dedicated connector. For further information regarding such connectors, please visit the Fantasea website – www.fantasea.com

10. **Fiber Optic Cable Plate-**
 - a. When installed on the housing, the fiber optic cable plate and the two adaptors inserted inside it allow for an easy attachment of 2 fiber optic cables to the housing. For further instructions, please refer to the section “External Flashes”.
 - b. Remove the fiber optic cable plate from the housing in order to make use of the internal camera flash during your dive. In order to remove the plate, insert your fingers beneath the adaptors installed inside the plate and pull the plate upwards till it is removed from its slot.
 - c. Make sure the fiber optic cable plate is secured to the housing by its secure line in order to avoid losing it during the dive.

11. **Lens Port-** The housing lens port is compatible with a wide variety of accessory filters and lenses. For a selection of lens accessories available, please visit the Fantasea website – www.fantasea.com
12. **Tripod Mounting Screw Hole** – Enables mounting the housing on a tray, thereby allowing for the addition of various image enhancement accessories to your underwater photo system (such as strobes, lights and more).
13. **Function** – Pushing this control activates the camera function button.

Back Side of Housing

Corresponding numbered descriptions are found on the following page



Numbered descriptions below refer to corresponding numbers on the back side housing graphic on the previous page:

14. **Flash Pop-Up** – Pushing this control activates the camera flash pop-up button and pops up the built-in camera flash.

Note that once the built-in camera flash has been popped up, it cannot be pushed back down physically through the housing. Therefore, in case of the need to eliminate the flash during the dive after it has been popped up, please follow the steps described on the section “Using the Built-in Camera Flash”.

15. **Exposure Compensation**- Turning this dial swivels the camera exposure compensation dial.

- a. In order to set a higher exposure compensation value, turn the exposure compensation dial counterclockwise.
- b. In order to a lower exposure compensation value, turn the exposure compensation dial clockwise.
- c. Note that value markings on the housing exposure compensation dial do not indicate the value set by the corresponding camera dial, even if aligned prior to camera installation inside the housing. Therefore, it is important to check the exposure compensation value selected and displayed on the camera LCD screen.

16. **LCD Monitor** – Pushing this control activates the camera monitor button.

17. **AE-L/AF-L**- Pushing this control activates the camera AE-L/AF-L button (Auto Exposure Lock / Auto Focus Lock).

18. **Playback (Image Review)**- Pushing this control activates the camera playback button.

Multi-Selector buttons (19-23)

19. **Flash Mode / Up** - Pushing this control activates the camera flash mode/top button.

20. **AF Area Mode / Right** - Pushing this control activates the camera AF area mode/right button.

21. **Focus Mode / Down** - Pushing this control activates the camera focus mode/bottom button.

22. **Self-Timer / Left** – Pushing this control activates the camera self-timer/left button.

23. **OK / Apply Selection** - Pushing this control activates the camera OK (confirm selection) button.
24. **Menu** - Pushing this control activates the camera menu button.
25. **Delete** - Pushing this control activates the camera delete button.
26. **Latch Dial** - This dial ensures the housing is properly closed and watertight sealed. For further instructions, please refer to the sections "Opening the Housing" and "Closing the Housing".
27. **Latch Dial Lock**- Ensures the secure dial doesn't accidentally open during the dive.
28. **Hand Strap Loops** – Enable the attachment of an optional hand strap to the housing in order to improve hand grip, especially when using the housing during extreme sports activities.

THE NIKON COOLPIX P7000 DIGITAL CAMERA

The Nikon CoolPix P7000 digital camera isn't loaded down with frivolous bells and whistles--it's got seriously awesome bells and whistles like a 10.1MP CCD sensor, a sharp, wide-angle to telephoto 7.1x optical zoom lens (28-200mm 35mm equivalent) made with Nikon ED glass, 720p HD video, 1.3 frames per second shooting at full resolution, 5-way image stabilization for sharp photos even in low light, and a 921,000-dot high resolution 3" LCD display. And you can shoot using JPEG or RAW format for ultimate control over your images.



But there's a lot more. Fast auto focus and start up, so you never miss a picture waiting for your camera to catch up, Low Noise Night mode for beautiful images without flash at night, with minimal noise, Subject Tracking to automatically track and auto focus on a moving subject, video recording with optical zoom and stereo sound and 18 scene modes, including the Auto Scene Selector, which automatically recognizes any shooting situation and optimizes all the settings for that scene.

Nikon Coolpix P7000 Highlights

- 10.1 MP High Resolution Sensor
- RAW File Format
- EXPEED C2 Image Processing System
- 3" Ultra High Resolution LCD Display Screen
- 7.1 x 28-200mm Zoom Lens (35mm Equiv.)
- 5-way VR image stabilization system
- Macro shooting as close as 0.8 inches / 2cm
- HD Video at 720p Resolution
- High-Speed Shooting at Up to 1.5 FPS
- Subject Tracking Auto Focus
- Greatly Enhanced Low-Light Photography
- 18 Scene Modes

SETTING UP THE HOUSING

Note

It is important that a first dive is always carried out with the housing empty (no camera installed inside) in order to verify that the housing watertight seal has not been affected during transport and after long periods of storage.

PREPARING THE CAMERA

1. Install a memory card and a fully charged battery inside the camera.
2. Remove the camera strap from the camera if one was installed. It is best to remove the 2 small triangular attachment clips as well for easier installation.
3. It is recommended to program the camera to the most frequently used underwater photo mode, lighting and other key settings prior to installing the camera in the housing.

PREPARING THE HOUSING

1. When using the housing for the first time-
 - a. Peel the screen protector off the back side of the housing.
 - b. Install the hand lanyard on the housing by inserting it through the lanyard loop on the bottom right of the housing (facing from back), then pulling it through itself and testing it in order to make sure it is secure (image #1).
 - c. Install the housing side of the diffuser quick release secure line by tying it around the hinge found at the left side of the housing, where the Fiber Optic Cable Plate secure string is attached to (image #2). Please note that this line may come assembled and then there is no need for installation.
 - d. If making use of a hand strap (optional), install it on the two loops found at the right side of the housing.
 - e. **It is important that a first dive with the housing is always made without the camera in order to verify that the housing watertight seal has not been affected during transport and after long periods of storage.**



Image #1



Image #2

OPENING THE HOUSING

1. Lift the small red tab located at the bottom of the latch dial upwards, as indicated by the arrow direction (image #3 on the following page). There is no need to apply any force.
2. While holding the lock dial up, turn the latch dial counterclockwise until the red latch tab is located at the top of the latch and cannot be turned any further (image #4 on the following page). There is no need to apply any force.
3. Carefully open the back side of the housing.

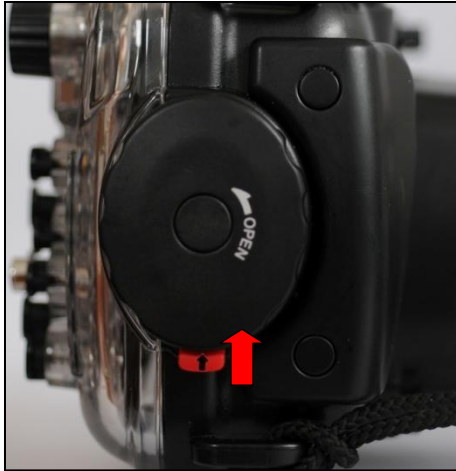


Image #3



Image #4

CHECKING THE O-RING

1. Prior to each closure of the housing, the back door O-ring should be visually inspected. If there is any debris present, including dirt, sand, dust, hair, grease or any other matter, it must be cleaned to ensure a proper watertight seal.
2. In order to clean the O-ring, first remove it from the housing:
 - a. Insert the O-ring remover between the O-ring and the groove it is seated in (image #5).
 - b. Slip the tip of the inserted O-ring remover below the O-ring, while making sure the O-ring doesn't get scratched (image #6).
 - c. Carefully hold the O-ring with your fingertips in order to remove it from the groove.



Image #5



Image #6

3. Cleaning the O-ring is a simple matter of wiping it with a damp, soft cloth to remove the foreign matter. Be careful the cloth you use does not leave any of its own material behind as this can also affect the effectiveness of the seal.

4. Apply a slight layer of silicone grease on the O-ring. Please note that the amount of lubrication required on the O-ring is only enough to allow it to slip into place without friction, so it does not twist or become dislodged. More grease is not necessarily better, and in some cases might interfere with the watertight seal of the housing.
5. When replacing the O-ring, place it back into the groove starting at one corner and gently pressing it into the groove all around the housing until it is all seated in the groove and no part of it is sticking up or out of the groove.

INSTALLING THE CAMERA

Since the **FP7000 Housing** is specifically designed for the Nikon Coolpix P7000 digital camera, installing the camera in the housing is quite simple.

2. Make sure the camera is turned off.
3. Lift the housing mode dial so it doesn't interfere with camera installation (image #7).
4. Hold the camera parallel to the housing and then gently install it inside (image #8). Avoid inserting one side of the camera prior to the other, as this will make the installation difficult and might cause damage to the camera or housing.
5. In the event of an optional leak detector installed inside the housing, take special care not to touch or damage the leak detector when installing the camera. Also be careful not to harm the moisture sensor attached to the leak detector.

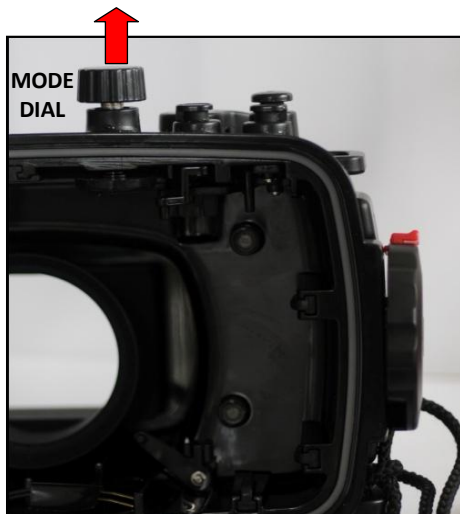


Image #7



Image #8

6. Once the camera is inserted inside the housing, push the housing mode dial back down, so it touches the camera mode dial.

7. If inserting a silica gel pack inside the housing in order to prevent moisture, it is best to insert it on the left side of the camera (image #9), where it doesn't interfere with proper housing operation. It is important to make sure that the silica gel pack doesn't stick out, or else it might interfere with the watertight seal of the housing.



Image #9

CLOSING THE HOUSING

1. Turn the latch dial so that the small red tab located on the latch is pointed towards the front side of the housing (image #10).
2. Carefully close the back door of the housing, pushing it against the front door.
3. Turn the secure dial clockwise till the lock dial clicks. The small red tab should then be pointed towards the bottom of the housing (image #11).



Image #10



Image #11

4. Gently try pulling the back door away from the front door. If the housing is properly closed, it should be impossible to open the back door.
5. Visually inspect the O-ring for proper closure. Make sure it isn't twisted or out of the groove and that no foreign matter has been caught in the seal.
6. Turn on the camera and check that the extended camera lens does not catch or bend the black rubber seat on the inside of the lens port. It is vital that the lens does not disturb this rubber seat.
7. Test housing control buttons to make sure that the camera was properly installed inside the housing and that nothing interferes with normal operation of the camera. It is recommended to

take a few images once the camera has been installed inside the housing and prior to the dive in order to ensure proper operation.

8. If making use of the internal camera flash, install the removable flash diffuser on the housing and attach the flash diffuser quick release secure string in order to avoid losing it underwater. Please refer to the section “Using the Built-in Camera Flash” for further information.
9. Prior to diving with the housing, submerge it in a shallow tub of water or rinse tank. Carefully look at the housing to make sure no bubbles are escaping from it and that no water is entering.

REMOVING THE CAMERA FROM THE HOUSING

1. After use and prior to opening the housing, make sure both your hands and the housing are clean and dry. It is recommended to have a clean, dry and soft towel handy in order to dry your hands and the water drops on the housing.
2. When opening the housing, it is important to hold it so the lens port is facing down. This will prevent the camera from slipping out of the housing while being opened.
3. Open the housing as described in the section “Opening the Housing”, pull up the mode control and carefully remove the camera from the housing. Take sufficient care that no water drips from your hair and body onto the housing and camera.

USING THE BUILT-IN CAMERA FLASH

1. The Coolpix P7000 has a built-in flash capable of illuminating nearby underwater subjects. For stronger lighting, illuminating subjects that are farther away, avoiding backscatter, eliminating shadowing effects and photographing in deep water, an accessory slave flash is recommended. For further information, please refer to the section “External Flashes”.
2. In order to make use of the built-in camera flash, remove the Fiber Optic Cable Plate from the housing. Insert your fingers beneath the adaptors installed inside the plate and push the plate upwards till it is removed from its slot. Make sure the fiber optic cable plate is secured to the housing by the dedicated secure line in order to avoid losing it during the dive.
3. The removable flash diffuser included assists with softening the built-in flash output, increasing its angle of coverage and decreasing the amount of *backscatter* in the images (the unattractive snowstorm affect of the flash reflecting off suspended particles in the water).

- a. In order to install the removable flash diffuser, hold and align it against the housing lens port so the concave side of the flash diffuser is facing the lens port (image #12).
- b. Gently push the removable flash diffuser against the housing lens port till it clicks.
- c. Attach the flash diffuser quick release secure string to the other side of the string connected to the housing in order to avoid losing the flash diffuser underwater.
- d. In order to remove the flash diffuser from the housing, gently push it outwards starting from its top and proceeding with the bottom part of it.



Image #12

4. It is best to set the camera flash mode to “Flash Always” as artificial light is required in most compositions for the purpose of color and light reproduction. This will ensure the built-in camera flash fires on every image taken regardless of ambient light available. Please refer to the Coolpix P7000 instruction manual for further instructions regarding such settings.
5. Note that once the built-in camera flash has been popped up, it cannot be pushed back down physically through the housing. Therefore, in case of the need to eliminate the flash during the dive after it has been popped up, follow the steps below:
 - a. Enter any of the manual shooting modes (M, A, S, P, U1, U2 or U3).
 - b. Push the menu control.
 - c. Using multi-selector controls, enter the Shooting Menu.
 - d. Using the “down” multi-selector control, scroll down till you have reached the Flash Control item. Push the OK control.
 - e. Scroll down to “Off” and push the OK control again to make the selection.
 - f. In order to reactivate the built-in camera flash, repeat steps a-d and then select “Auto”. Push the OK control again to make the selection.

OPTIONAL ACCESSORIES

EXTERNAL FLASHES

Underwater flashes and strobes were designed to improve the color, lighting and quality of your underwater images. Since light and color are absorbed by water, using an external flash is recommended in all depths, during daylight and night dives. In addition to retrieving the color and light absorbed by water, underwater flashes also allow for creative lighting, assist in reducing the amount of backscatter and prevent the shadowing effect caused by the housing lens port when using the built-in camera flash, especially when accessory lenses are mounted on the housing.

The **FP7000 Housing** can be used with underwater slave flashes. These external flashes feature a slave sensor which triggers the external flash to fire in sync with the internal camera flash. For the full selection of Fantasea flashes and lighting sets compatible with the **FP7000 Housing**, please refer to the Fantasea website – www.fantasea.com

Most underwater slave strobes are capable of synchronizing with the internal camera flash without any cables under certain diving conditions. They feature a slave sensor that triggers the strobe to fire in sync with the internal camera flash, as long as the strobe and the camera are positioned on the same axis and as long as there is not much ambient light available. However, if the strobe slave sensor isn't pointed directly at the internal camera flash, or when photographing during daylight, in clear water and bright conditions, the slave sensor might fail recognizing the output of the internal camera flash. Connecting a fiber optic cable between the internal camera flash and the slave strobe ensures full synchronization in all angles and diving conditions.

Attaching Fiber Optic Cables to the Housing

1. When installed on the housing, the fiber optic cable plate and the two adaptors inserted inside it allow for an easy attachment of up to 2 fiber optic cables to the housing.
2. If the fiber optic cable you have features a different type of adaptor, remove this adaptor from the end of the cable and use the adaptors included with the **FP7000 Housing** instead.
3. Remove the Fiber Optic Cable Plate from the housing. Insert your fingers beneath the adaptors installed inside the plate and push the plate upwards till it is removed from its slot.
4. Prior to installing the fiber optic cable on the Fiber Optic Cable Plate, make sure that the two black adaptors are firmly and properly installed inside the plate (image #13 on the following page).



Image #13

5. Insert the exposed end of the fiber optic cable into the small hole of the adaptor unit, starting from the end that features a screw and pushing it towards the end that features an O-ring (image #14), until the fiber optic cable reaches the end of the adaptor, which can be verified by looking from the other side of the Fiber Optic Cable Plate. The fiber optic cable should be extending out no more than 1mm (image #15).



Image #14



Image #15

6. Use the screwdriver included in order to tighten the screw on the adaptor (image #16). Tighten it enough to stabilize the fiber optic cable inside the adaptor, but don't tighten it too strongly. **Tightening the screw too much might damage the fiber optic cable.**
7. Once the fiber optic cable has been installed on the Fiber Optic Cable Plate, install the Fiber Optic Cable Plate by inserting it inside the dedicated slot on the housing and pushing it all the way in.



Image #16

8. When installed on the housing, the Fiber Optic Cable Plate blocks the internal camera flash, so only the external slave flash illuminates the subject. This diminishes the effects of backscatter, as well as eliminates any shadowing effect caused by housing lens port, especially when lens accessories are mounted on the housing.
4. Follow the instructions in your strobe manual on how to synchronize your camera with the external strobe. It is recommended to test the synchronization when photographing opposite a mirror. In this case, the output of both the built-in camera flash and the strobe should be visible in the test shot taken.

LENS ACCESSORIES

The **FP7000 Housing** lens port is compatible with a wide variety of accessory filters and lenses, such as:

- **BigEye Wide Angle Lenses:** Perfect for shooting seascape, divers, ship wrecks and schools of fish, without moving further away from the subject, thereby still taking full advantage of water clarity and artificial light sources.
- **SharpEye Macro Lenses:** Perfect for shooting close-up images of fish, corals, textures and more. These macro lenses magnify the subject and enable the camera to focus on short distances for creating super sharp images.
- **RedEye Color Correction Filters:** Used to restore the red color absorbed by the water. In shallow depths, these filters can serve as an attractive alternative to artificial light sources.
- **EyeGrabber Lens Holders:** Attach to Flex or Ball & Joint arms, enabling safe, secure and easily accessible storage for your lens accessories when not in use during the dive.

For a selection of lens accessories available, please visit the Fantasea website – www.fantasea.com

HOUSING HAND STRAP

The **FP7000 Housing** features two hand strap loops on the “latch” side of the housing, which enable the attachment of an optional hand strap for the housing in order to improve hand grip, especially when using the housing during extreme sports activities.

HOT-SHOE CONNECTOR FOR LIGHTING ACCESSORIES

The Hot-Shoe Mount featured on the housing enables mounting a flash, night dive torch or focus light on top of the housing by using a standard Hot-Shoe connector mount. For further information regarding such connectors, lights and flashes, please visit the Fantasea website – www.fantasea.com

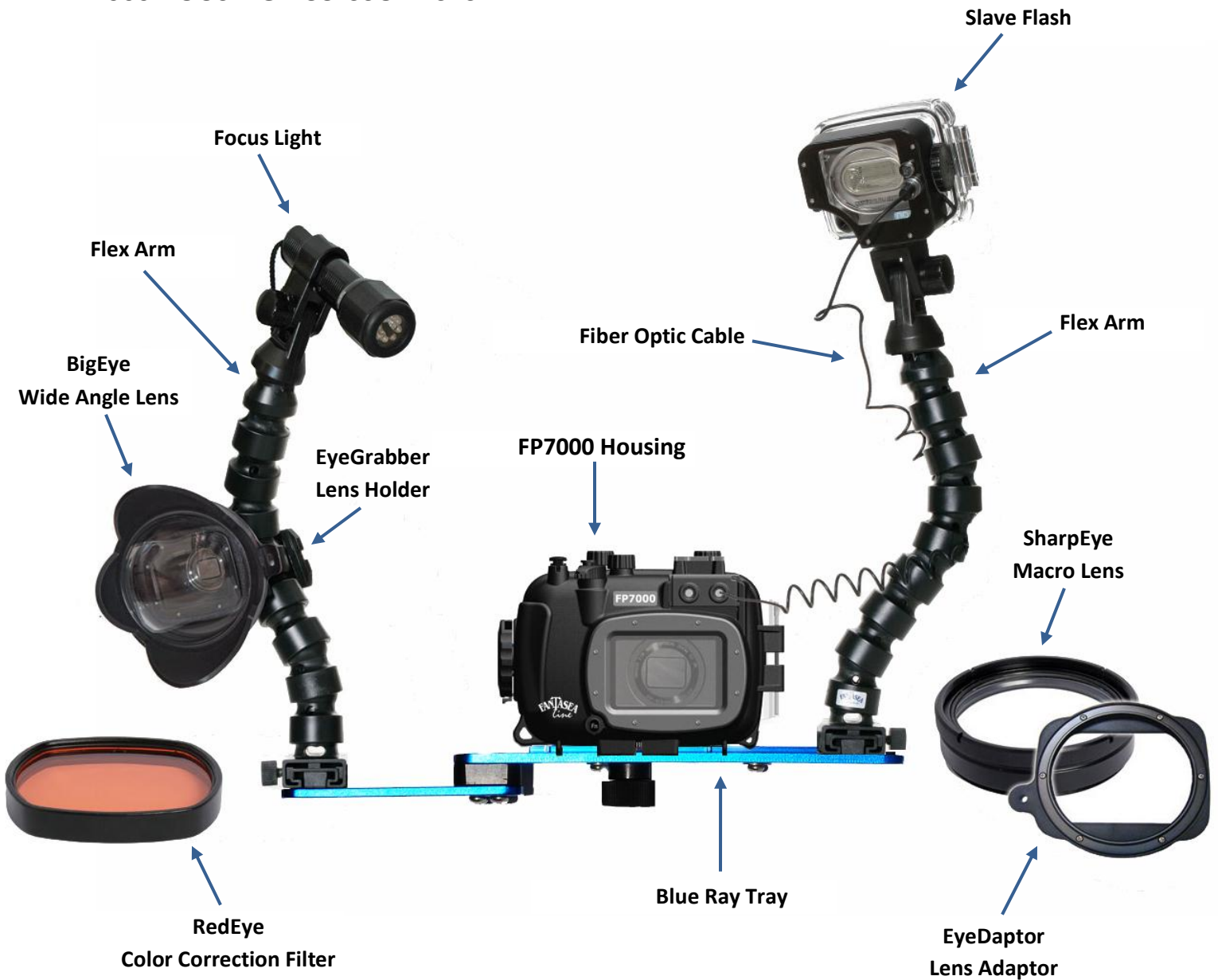
LEAK DETECTOR

A leak detector can be installed inside the housing in order to detect moisture. Leak detectors are very sensitive, so whenever moisture is detected inside the housing, the leak detector LED light begins flashing and a warning alarm starts beeping, thereby alerting the user of a leak.

Follow the instructions included with the Leak Detector in order to install it inside the housing.

For Fantasea Leak Detectors available, please visit the Fantasea website – www.fantasea.com

FP7000 HOUSING ACCESSORY SYSTEM



CARE & MAINTENANCE

The Fantasea **FP7000 Housing** requires only a minimum amount of care for safe and reliable performance. The following tips will enable you to get the best results:

1. Always rinse your housing in streaming fresh water and if possible soak the housing in a fresh water tub or rinse tank for about 20 minutes after every dive in order to dissolve the salt water crystals from around the controls and openings of the housing. Manipulate each of the movable controls to assist the removal of salt particles from these tight areas.
2. Allow the housing to dry thoroughly before packing away for the day or for the trip home. You may use a soft towel or cloth to dry the housing. Be sure there is no grease or other debris on the towel.
3. Visually check the condition of the O-ring before every dive. If it is dirty, clean it with fresh water and dry it with a soft cloth as described throughout the manual. If it is damaged in any way, such as cut or perforated, replace it before using the housing again.
4. It is recommended to slightly lubricate the housing back door O-ring periodically. It's important to note that the amount of lubrication required on the O-ring is only enough to allow it to slip into place without friction, so it does not twist or become dislodged. More grease is not necessarily better, and in some cases might interfere with the housing watertight seal.
5. Use only the supplied silicone grease for lubricating the housing back door O-ring. Use of any other grease might impair the watertight seal of the housing.
6. Be careful not to get greasy fingerprints or dirt on the lens port. This will affect the image quality. Wipe any dirt or grease off with fresh water and a soft cloth.
7. Do not drop the housing on hard surfaces, it could crack and its watertight seal might be damaged.
8. Do not disassemble or modify the housing, as this may cause leaks.
9. Do not leave the housing in direct sunlight, inside a car in hot weather, or near a heater. Heat may warp the housing and cause leaks. If you have to leave the housing in the sun, it is important to cover it with a towel.
10. Travel with the housing protected in a padded case. It is best to remove the camera from inside the housing when traveling and to provide it with its own protective case or compartment.
11. Never dive with the Fantasea **FP7000 Housing** to a depth greater than 60 meters/200 feet.
12. It is important to carry out the first dive without the camera inside the housing. Check that the watertight seal has not been affected during transport and long periods of storage.



13. It is likewise recommended to visually monitor the housing during every descent, especially for the first 10 meters/33 feet. If water is observed entering the housing or bubbles escaping from it, the housing should be rotated to a *port down position* and held that way as you return to the surface immediately and get it out of the water.
14. It is recommended to have all Fantasea housings serviced once a year at an authorized Service Center. This includes visual inspection and possible changing of all seals, gaskets and O-rings. Please contact Fantasea by email at info@fantasea.com, or visit the Fantasea web site www.fantasea.com for more information.

FANTASEA PRODUCT CONSUMER LIMITED WARRANTY

“Fantasea” warrants this Fantasea Line branded product against defects in materials and workmanship under reasonable use for a period of ONE (1) YEAR, (two years, where required by law as determined by the origin of the authorized dealer). This warranty is effective from the date of retail purchase from Fantasea or an authorized Fantasea dealer, by the original end-user purchaser (“Warranty Period”). This warranty does not cover any commercial use of the product. If a product defect arises and a valid claim is received within the Warranty Period, at its option, Fantasea, or its authorized service facilities will either (1) repair the product defect at no charge, (2) exchange the product with a product that is new or which has been manufactured from new or serviceable used parts and is at least functionally equivalent to the original product. The warranty will not extend beyond the original warranty period. Your Fantasea Product should be registered within 30 days of purchase. You must keep the proof of purchase which indicates the date on which the purchase was made; as you may be required to show proof of purchase if you need warranty service. The following conditions apply: 1. This warranty extends to the original purchaser only. It is not assignable or transferable. 2. The warranty does not cover damage resulting from misuse, abuse, negligence, or accidents. Proper maintenance of the Product is the responsibility of the owner. 3. The warranty does not cover damage directly or indirectly resulting from the use of unauthorized replacement parts or service performed by unauthorized facilities. 4. This warranty does not cover any damage to any other product used in conjunction with the Fantasea product, including cameras and lenses, and resulting from any defect in the product materials or workmanship. 5. The cost of sending the product back to Fantasea or its authorized service facilities is the responsibility of the customer. 6. The warranty does not cover any incidental damages resulting from any defects in the product. This expressly includes any travel reimbursements or any other costs associated with the purchaser’s optional use of the product. The conditions of this warranty are expressly in lieu of all other expressed warranties, including the payment of consequential or incidental damages for the breach of any warranty. Please register your product on line at this URL:

<http://www.fantasea.com/registration>.