

PRESENZA
— ITALIA —

UTILITY SINK WITH EXTENDABLE FAUCET AND STORAGE CABINET



INSTALLATION GUIDE AND USER MANUAL

ITM. / ART. 485028
Model No. QL0282

Table of Contents

Table of Contents	2	Installing the Faucet	7
Safety Information	2	Installing the Strainer	8
Warranty		Mounting the Utility Sink	9
One Year Limited Warranty	3	Placement	10
Warranty Claim Procedure	3	Supply Line	10
Pre-Installation		Maintenance	
Tools/Materials Required	4	Cartridge Replacement	10
Parts Required	4	Drawer Removal	11
Package Contents	5	Care and Cleaning	
Installation		Utility Sink	11
Installing the Leveling Legs	6	Cabinet	11
Installing the Handles	7	Service Parts	12

Safety Information

READ AND SAVE THESE INSTRUCTIONS

1. Inspect your unit before proceeding. Once you unpack your unit, check for chips, scratches, cracks, dents or scuff marks. If any damage is noticed, do not install.
2. Use this unit only in the manner intended by the manufacturer. If you have any questions, contact the manufacturer.
3. Installation work and plumbing must be done by qualified person(s) in accordance with all applicable codes and standards.
4. Protect the entire surface during installation.
5. All holes drilled into the unit must be done from the finished surface side with extreme care and caulked very carefully to form a watertight barrier.



DANGER: Always wear safety goggles and gloves in order to avoid personal injury.

Warranty

ONE YEAR LIMITED WARRANTY

A thorough inspection must be made before installation and any damage must be promptly reported. We will not be liable for failures or damage that could have been discovered or avoided by proper inspection and testing prior to installation.

Conglom Kitchen & Bath warrants this product to be free from defects in materials or workmanship for one (1) year from the date of purchase. Proof of purchase (original sales receipt) from the original consumer purchaser must be made available to Conglom Kitchen & Bath for all warranty claims.

This warranty is non-transferable and shall be voided if the unit is removed from its initial installation or if it is not installed following the manufacturer's instructions. It does not apply in the event of product damage due to the use of other than genuine Conglom Kitchen & Bath replacement parts, (Replacement parts may be obtained by e-mail at customer.service@conglomkb.com or by calling 1-877-333-0098 between 8:30 am - 5:00 pm EST) installation error, abuse, misuse or improper care and maintenance (whether performed by a plumber, contractor, service provider or member of the purchaser's household). The warranty excludes damage due to aggressive air or water conditions, harsh or abrasive cleaners and/or materials.

Under no circumstance shall we be held liable for personal injury or property damage resulting from improper installation or use of this product. We will not be held liable for inconvenience caused by loss of use of this product, costs incurred for labour or materials, removal and installation of replacement units, or any other incidental or consequential damages. Costs relating to obtaining access for repair or replacement are the responsibility of the user.

Our obligation shall be limited to the repair or replacement of a unit (at our discretion) that may prove, by our sole examination, to be defective under normal use and service during the warranty period.

Any failure of this product that is not traceable to a defect in material or workmanship is not covered by this warranty. These non-warrantable items include, but are not limited to:

- Improper installation not in accordance with manufacturer's instructions.
- Dents and/or scratches incurred during shipping, handling, or installation.
- Change in colour or finish due to chemical usage.
- Damage caused by failure to follow care and cleaning guidelines, including damage caused by the use of abrasive cleaners.
- Alterations made to the unit by the purchaser or installer.
- Damage caused by accidental impact, fire, flood, freezing, and normal wear.
- Bends and warping caused by forced connections, over-tightened fittings, and inadequate support during installation.
- This warranty does not extend to commercial and institutional installation or use.

WARRANTY CLAIM PROCEDURE

If a claimable defect occurs or replacement parts are needed, please contact our customer service team at customer.service@conglomkb.com or 1-877-333-0098 (Service available in English and French, Monday - Friday from 8:30am - 5pm EST).

Before you make your call, please ensure that you have:

- Model number or description.
- Proof of sale.
- Details regarding the defect and/or part number.
- Name(s) and address(es) of the owner and/or installer.

Pre-Installation

TOOLS/MATERIALS REQUIRED (NOT SUPPLIED)



Adjustable wrench



Needle nose pliers



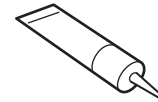
Phillips screwdriver



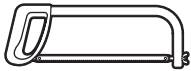
Utility knife



Pipe wrench



Sealant



Hacksaw



Carpenter's level



Allen wrench



Safety gloves



Safety goggles

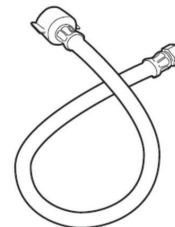
PARTS REQUIRED (NOT SUPPLIED)



Tail Pipe



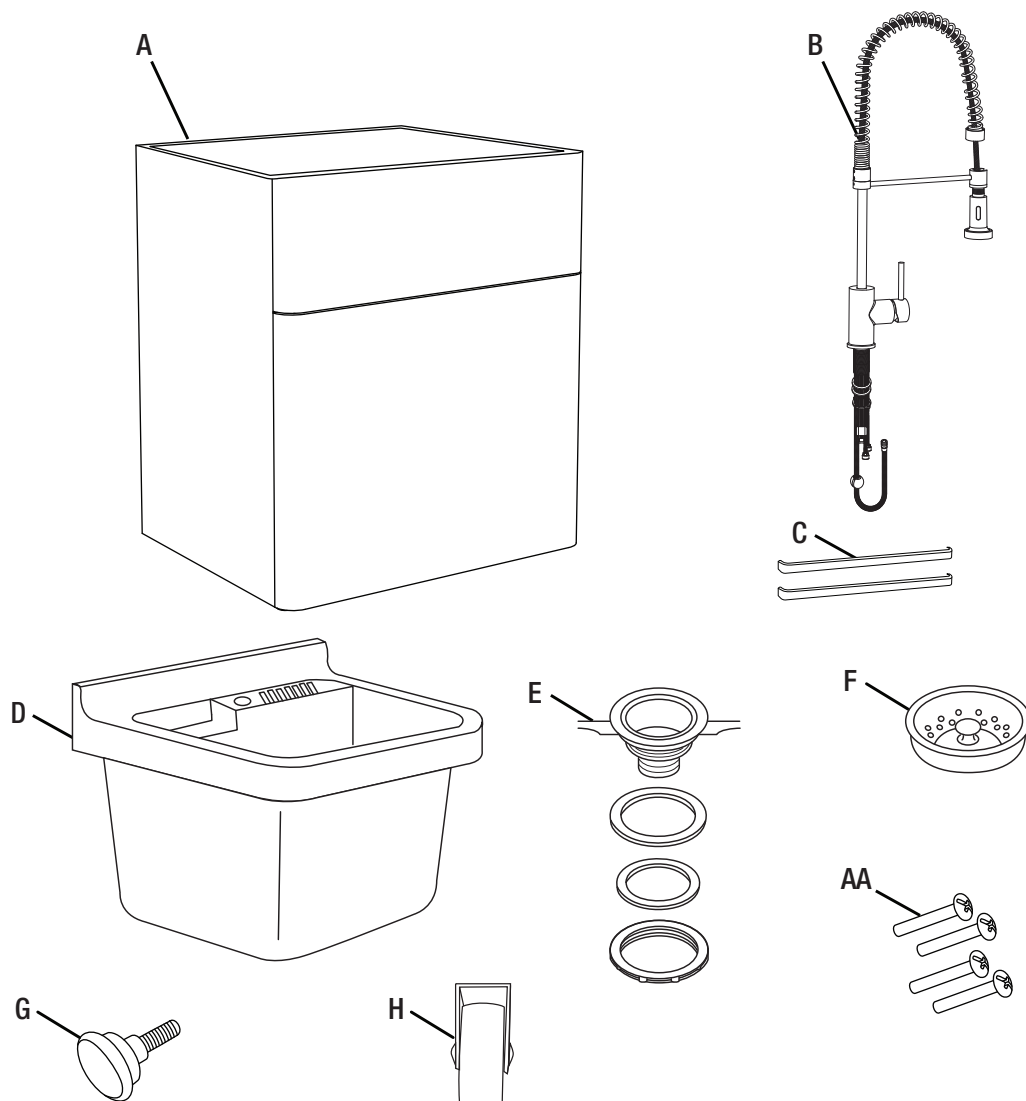
P-Trap



Supply line

Pre-Installation (continued)

PACKAGE CONTENTS



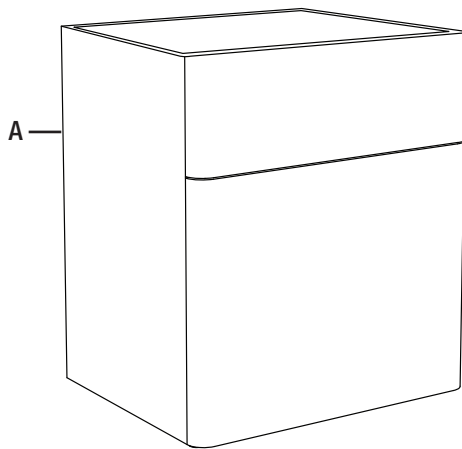
Part	Description	Quantity
A	Cabinet	1
B	Faucet	1
C	Drawer handles	2
D	Utility sink	1
E	Strainer assembly	1
F	Strainer basket	1
G	Leveling legs	4
H	Caster (pre-installed on cabinet)	1
AA	Handle screws	4

Installation

INSTALLING THE LEVELING LEGS

Carefully check the utility sink for damage and/or missing parts prior to installation. If there is any damage or if you are missing parts, do not proceed with the installation. Report damage and/or missing parts immediately to the manufacturer. Do not dispose of packaging before you are satisfied with your new utility sink.

- Remove the utility sink (D) and place it on a soft, protective surface (Fig. 1).
- Gently place the cabinet (A) onto its back on a soft, protective surface.



WARNING: Always wear safety goggles and gloves during installation.



CAUTION: Do not place side load on the leveling legs when righting the cabinet as they may break.

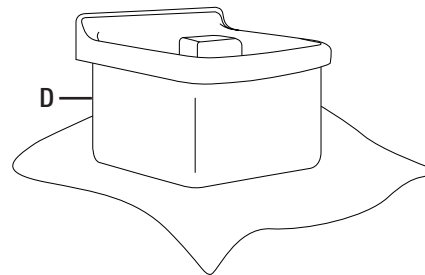


Fig. 1

- Screw the four leveling legs (G) into the pre-installed nuts on the bottom of the cabinet (Fig. 2).
- Gently right the cabinet.
- Using a carpenter's level, turn the base of each leg until the cabinet is level.

NOTE:

The caster (H) is pre-installed.

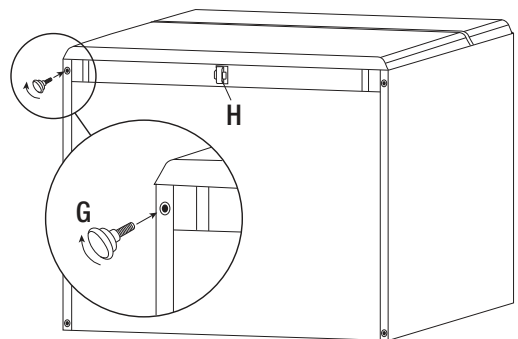
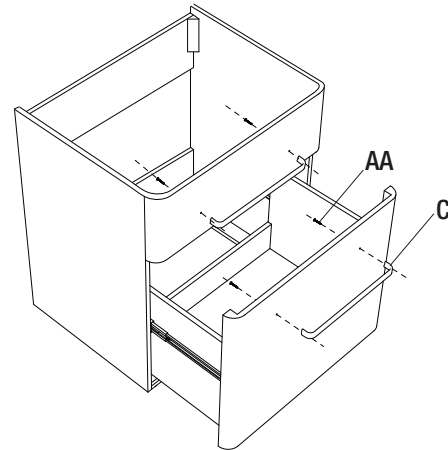


Fig. 2

Installation (continued)

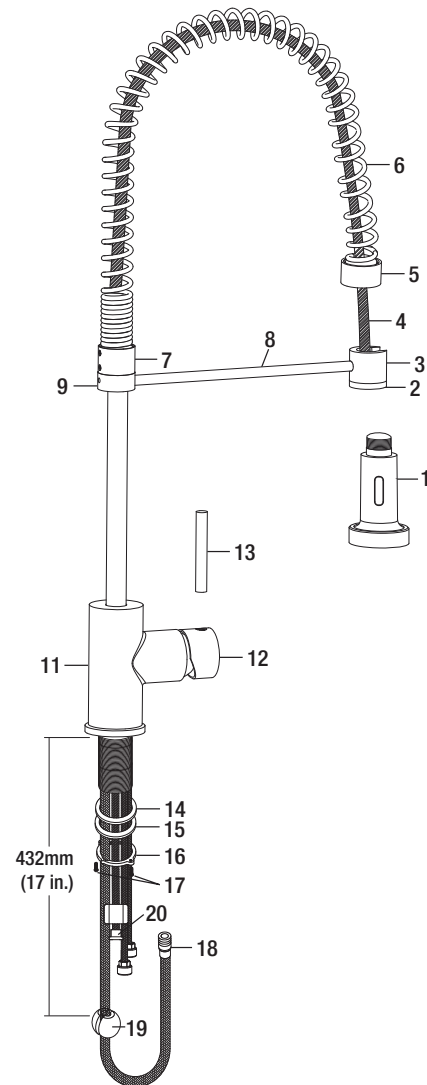
INSTALLING THE HANDLES

- Insert two handle screws (AA) into the pre-drilled holes on top panel.
- Attach a handle (C) and tighten the handle screws (AA).
- Repeat on bottom drawer.



INSTALLING THE FAUCET

- Unscrew the retaining ring (16) from the bottom of the body base (11), ensuring that the gasket (14) and washer (15) are removed with the retaining ring.
- Place the lower part of the body base (11) through the hole in the sink.
- From underneath, slide the gasket (14), washer (15), and the retaining ring (16) until in correct position.
- Tighten the retaining ring (16) by hand, until it is snug.
- Using a wrench or pliers, tighten the entire assembly.
- Gently tighten the two screws (17) on the retaining ring. **DO NOT OVER TIGHTEN.**
- Attach the end of the hose with the small fitting (18) onto the faucet outlet (20) and hand tighten. Then, using one wrench on the hexagonal nut of the faucet outlet and another on the hose nut, tighten the two ends together. Tightening with just a single wrench may deform the nut on the hose.
- Install the counterweight (19) on the hose about 432 mm (17 in.) from the underside of the faucet. This can be adjusted based on your own requirements.
- Screw the sprayer head (1) onto the end of the hose (4).
- Attach the lever (13) to the handle base (12).



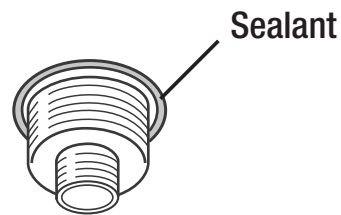
NOTE:

Please ensure that the flexible risers included in the faucet are not kinked or forced during installation.

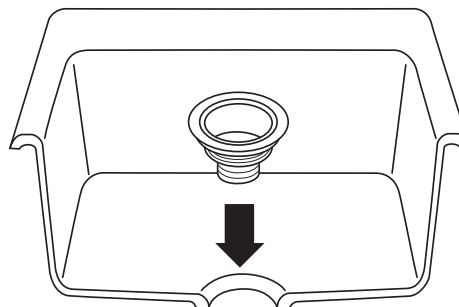
Installation (continued)

INSTALLING THE STRAINER

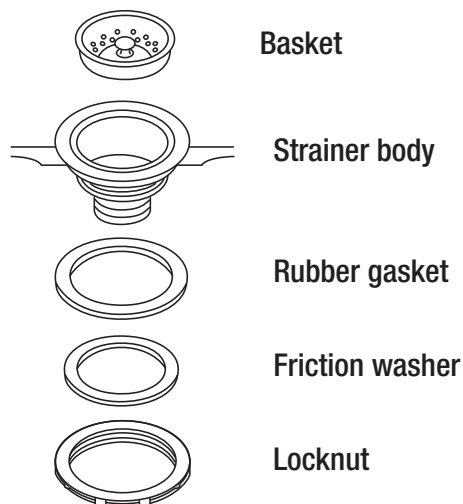
1. Apply a ring of plumber's putty to the underside of the strainer flange.



2. Insert the strainer body into the sink.



3. Assemble the rubber gasket, friction washer and locknut onto the strainer body from under the sink.



4. Hand tighten the locknut. Do not over tighten the locknut as it may split or deform the strainer body.
5. The strainer basket can be placed in the strainer body once the utility sink is installed.

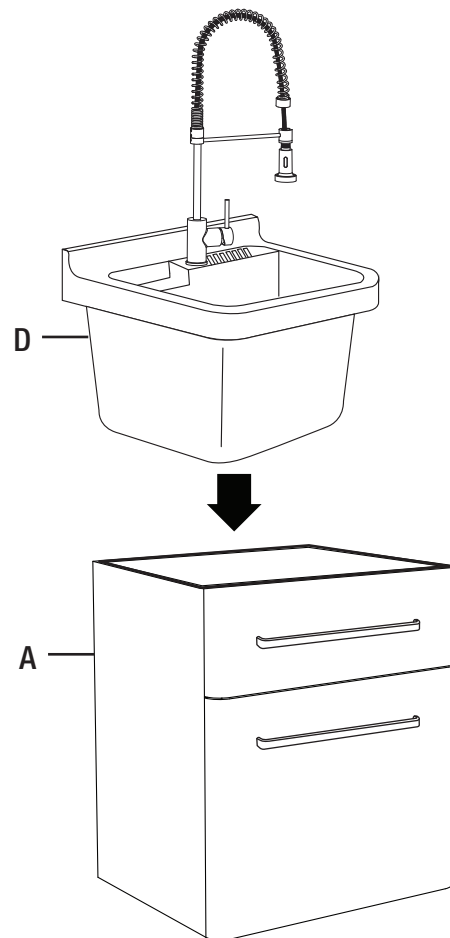
Installation (continued)

MOUNTING THE UTILITY SINK

1. Carefully place a bead of sealant all around the top of the cabinet (A).



2. Ease the utility sink (D) into the cabinet (A). Ensure that it is placed evenly and is centered on the cabinet. Wipe off any excess sealant. Use masking tape to hold the basin in place until the sealant dries.



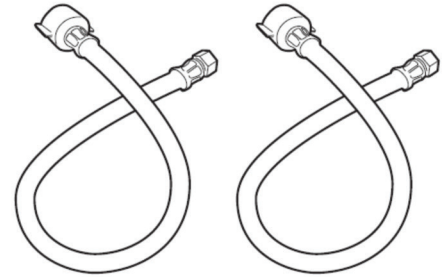
Installation (continued)

PLACEMENT

Move the assembled unit to its final location. If required, level the unit by adjusting the four leveling legs. Ensure that no rocking is exhibited.

SUPPLY LINE

The supply lines, which connect the faucet to the household water system, are not supplied with this unit. They need to be purchased separately. Follow the supply line manufacturer's instructions for proper installation.

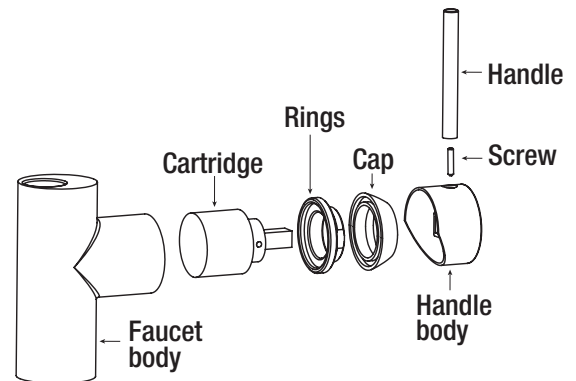


Maintenance

CARTRIDGE REPLACEMENT

If in the future the ceramic cartridge needs to be replaced:

1. Turn off the water supply to the faucet.
2. Remove the faucet lever by hand. Loosen the screw with the Allen wrench provided and pull the handle body out. The top lever of the cartridge will be exposed.
3. Unscrew the cap and rings, making sure not to damage the threads.
4. Pull the cartridge out of the faucet body and replace it with a new 35 mm ceramic cartridge.
5. Replace the rings, then the cap. Then place the handle body on the cartridge. Hand tighten the screw back into the handle body, then tighten it with the Allen wrench. Do not over tighten. Tighten the faucet lever back on.
6. Slowly open the water feed to the faucet to test.

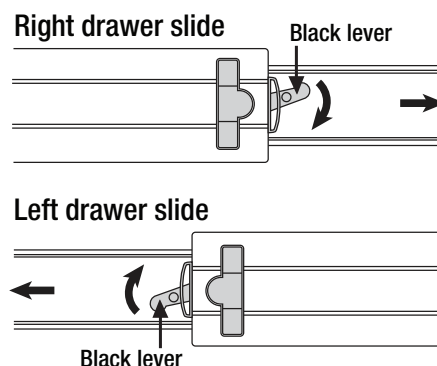


Maintenance (continued)

DRAWER REMOVAL AND REPLACEMENT

To remove the drawer, pull it out to its fullest extension. On each of the drawer slides there is a black lever. Push the lever on the left slide up and the lever on the right slide down. The drawer should now slide away from the cabinet.

Reverse this procedure to replace the drawer.



Care and Cleaning

UTILITY SINK

This utility sink is manufactured with premium acrylic. With the proper care and maintenance it will provide you with many years of enjoyment.

Do

- Use common household cleaners (non-abrasive) or a mild liquid dish washing detergent. Rinse well and dry with a clean cloth.
- Remove dust and dry dirt with a soft, damp cloth.
- Clean grease, oil, paint and ink stains with isopropyl (rubbing alcohol). Immediately rinse with water after removal of stain.

Do not

- Do not allow your acrylic surface to come into contact with products such as acetone (nail polish remover), nail polish, dry cleaning solution, lacquer thinners, gasoline, pine oil, etc.
- Use caution when using sharp instruments that may fall and scratch the surface.

CABINET

To maintain the surface of your cabinet, follow these tips.

Do

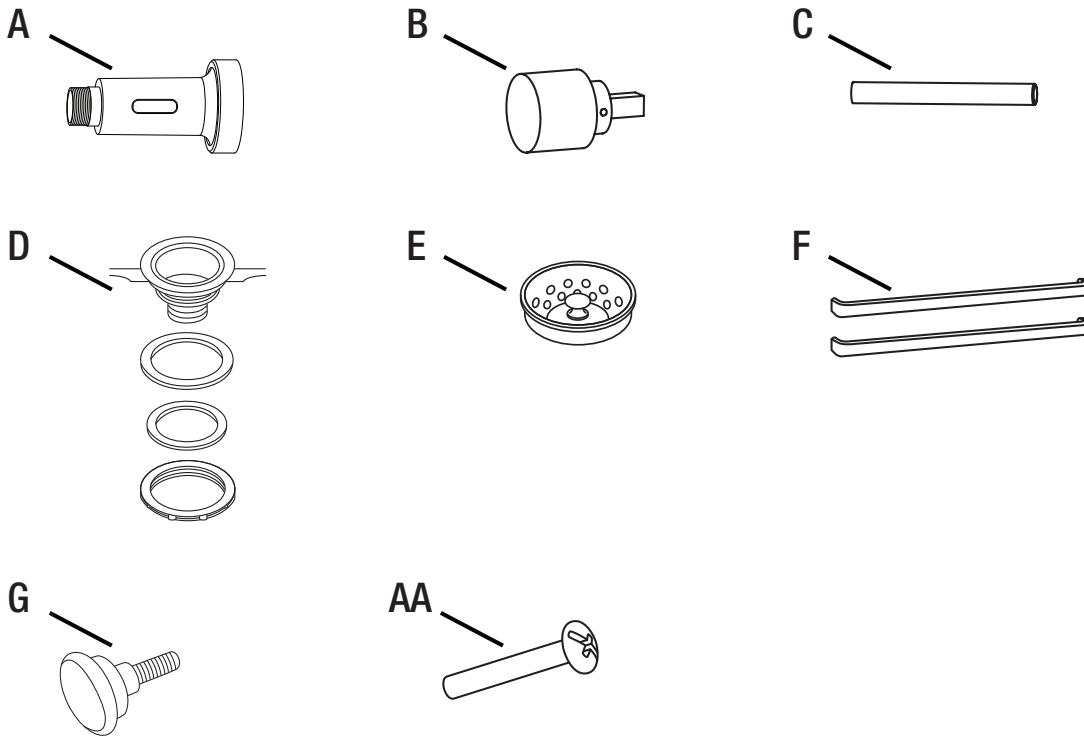
- Remove dust and dry dirt with a soft, damp cloth.
- Clean grease, oil, paint and ink stains with isopropyl (rubbing alcohol). Immediately rinse with water after stain removal.

Do not

- Do not allow your cabinet surface to come into contact with products such as acetone (nail polish remover), nail polish, dry cleaning solution, lacquer thinners, gasoline, pine oil, etc.
- Use caution when using sharp instruments that may fall and scratch the surface.

Service Parts

If you are missing parts or if you require replacement parts, please contact our customer service team at customer.service@conglomkb.com or 1-877-333-0098 (Service available in English and French, Monday - Friday from 8:30am - 5pm EST). Identify the required part(s) and have the part number(s) ready.



Part	Description	Code	Quantity
A	Sprayer head	QHL115	1
B	Ceramic cartridge	QHS121	1
C	Faucet lever	QHL116	1
D	Strainer assembly	QHS103	1
E	Strainer basket	QHL118	1
F	Handles	QHL119	2
G	Leveling legs	QHL121	4
AA	Handle screws	QHL120	4

Imported by:



St-Laurent, Québec, H4S 2C3

1-877-333-0098 | customer.service@conglomkb.com

(Service available in English and French, Monday - Friday from 8:30am - 5pm EST)

www.conglomkb.com

Made in China

