

ES-S6A

Indoor Siren

EN Features

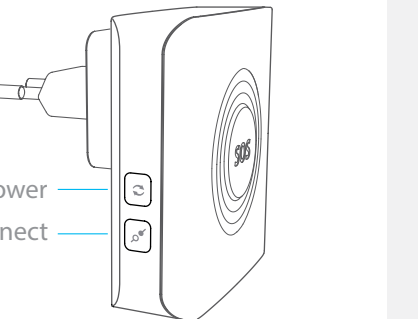
The ES-S6A can be used either as an additional siren connected to your alarm system or as an independent siren connected to a remote control and/or wireless detectors.

- Wireless connection for an easy installation
- Radio-frequency security of the accessories: more than one million of codes combinations
- Simplified connection to accessories
- Can be connected to all of eTiger Secual accessories
- Built-in 4.2V / 600 mAh lithium batteries: 8-hour battery life in standby mode

Box Content

- 1 x ES-S6A
- 1 x User Manual

Layout



General information

The ES-S6A is powered by its built-in AC 220V plug.

Several ES-S6A can be installed throughout your home and connected to your alarm system. When the alarm of your system is triggered, the ES-S6A rings out and its LEDs switch on.

The ES-S6A can also be used as a standalone siren and can be connected to wireless sensors and/or to a remote control.

Power on / off

Power on

The siren is powered off as per default settings. Plug the siren to a 220V socket and press the Power button on the siren. You hear a long beep: the siren is on. You can also turn the siren on by long pressing (6 seconds) the Power button on the siren.

Enter Setup Mode / Power off

Enter Setup Mode by pressing the power button once. Press again the Power button for 6 seconds to turn the siren off.

Siren and light indications

When arming the system

The siren beeps once, the LED lights blink once and switch on.

When disarming the system

The siren beeps twice, the LED lights blink twice and turn off.

When armed / disarmed in Mute Mode from the control panel

The siren does not beep, the LED lights do not blink.

Use as an additional siren

If the siren is used as an additional siren, it must be registered to your alarm's control panel. If the alarm is triggered, the ES-S6A will ring out and its LED lights will turn on.

Register the ES-S6A in the control panel

Press the Connect Button on the siren. The siren beeps once and the LEDs light up: the siren is now in Connection Mode.

Press the "SOS" or "Arm" button on the control panel of your alarm system. You hear one beep: the siren has been registered in the control panel successfully (if you hear 3 beeps, the siren has already been connected). Press the Connect Button again on the siren to exit the connection mode.

Note

Do not trigger an alarm with a sensor when registering the siren in the control panel.

Test

Press the "Arm" button on the remote control. Both the built-in siren of the control panel and the ES-S6A beep: the connection is successful. If not, the connection has failed, try registering the siren again.

Use as a standalone alarm system

Before using the ES-S6A as a standalone alarm system, it must be connected to a remote control or an accessory (e.g. motion detector, door / window contact).

When the system is armed, if a sensor is triggered, the siren will ring out and the LED lights will turn on.

Connect a remote control

Press the Connect Button on the siren. The siren beeps once and the LEDs light up: the siren is now in Connection Mode.

Press any button on the remote control. You hear one beep: the remote control has been connected to the siren successfully (if you hear 3 beeps, the remote control has already been connected).

Connect a wireless sensor

Press the Connect Button on the siren. The siren beeps once and the LEDs light up: the siren is now in Connection Mode.

Trigger the sensor (e.g. walk in front of the sensor if you want to connect a motion detector)

You hear one beep: the accessory has been connected to the siren successfully (if you hear 3 beeps, the accessory has already been connected).

The siren supports up to 10 remote controls and 10 wireless detectors.

Use as an additional siren

Test

a) Test the connection to a remote control

Press the "Arm" button on the remote control. The siren beeps once: the connection of the remote control is successful. If not, the connection has failed, try registering the remote control again.

b) Test the connection to a wireless sensor

Arm the system. Trigger the sensor (e.g. walk in front of the sensor if you have connected a motion detector). The siren rings out: the connection of the sensor is successful. If not, the connection has failed, try registering the sensor again.

Clear all accessories

Press the Connect button on the siren for 6 seconds until you hear two beeps. The LEDs blink twice: all the accessories connected to the siren have been cleared.

Entry / Exit Delay

A delay before activation can be set for the siren if the sensor is assigned to Single Delay Zone.

If the Entry / Exit Delay is activated, the siren beeps once every second until the system is armed, during the period of delay set.

If one of your system's sensors triggers the alarm, the ringing out of the siren will be delayed accordingly.

Set up the delay:

Enter Setup Mode by pressing the power button once. Press the power button again

- once to set the delay to 10 seconds
- twice to set the delay to 20 seconds
- three times to set the delay to 30 seconds
- four times to deactivate the delay

Default setting: no delay.

Default setting:

The delay will be effective only if the sensors have been assigned to the Single Delay Zone. To assign a sensor to the Single Delay Zone, open its cover and move the jumpers on the circuit board according to the opposite drawing. For more information, refer to the manual of your alarm system.



Night Lamp mode

When used as a standalone alarm system, the ES-S6A can also be used as an LED night lamp.

Press the "Stay" button on the remote control twice: the siren switches to Home Mode and the strobe light turns into a night lamp. Press the "Stay" button twice, then the "Arm" button once: the siren is in monitoring mode with night lamp on.

Press the "Disarm" button: the siren is disarmed and the LED lights switch off.

Specifications

Power supply
220V

Volume
90dB

Backup battery
4.2V / 600mA Lithium

Static current
< 13mA

Alarm current
< 300mA

Radio frequency
315MHz or 433MHz
(±75KHz)

Housing material
ABS plastic

Operating conditions
Temperature: -10°C ~ +55°C
Relative Humidity: ≤80%
(non-condensing)

Dimensions
81 x 80 x 76 mm

Standards



This product bears the selective sorting symbol for waste electrical and electronic equipment (WEEE). This means that this product must be handled pursuant to European Directive 2002/96/EC in order to be recycled or dismantled to minimize its impact on the environment. For further information, please contact your local or regional authorities. Electronic products not included in the selective sorting process are potentially dangerous for the environment and human health due to the presence of hazardous substances.



In compliance with European laws.



This product was designed and manufactured in compliance with Directive 2002/95/EC of the European Parliament and of the Council on the restriction of use of certain hazardous substances in electrical and electronic equipment (RoHS Directive - RoHS) and is deemed to comply with the maximum concentration values set by the European Technical Adaptation Committee (TAC).

Manufactured in China.

Images, illustrations and text are non-contractual. ETIGER and the ETIGER logo are registered trademarks and the property of ETIGER. Copyright © 2014 ETIGER. All rights reserved.

