

KVM EXTENDER



KVM-LII
(Local)

KVM-RII
(Remote)

KVM-EII

USER MANUAL V2.1

Package Contents

- KVM Extender Local Unit x 1
- KVM Extender Remote Unit x 1
- User manual x 1
- Power adaptor DC 9V/600mA x 2
- 3-in-1 cable (3L-3512C) x 1

If any thing missed, please contact with your vendor.

Features

- The extension of VGA, PS/2 keyboard, PS/2 mouse signal up to 180 meter away by using the KVM Extender and one CAT5 cable.
- High VGA resolution up to 2048x1536.
- Support Auto/Manual video quality adjustment.
- Support video gain and equalization adjust.
- Support 3 hot key to combine other equipment.
- Compatible with the KVM-S1.
- Three control privilege modes – “Share” & “Local only” & “KB/MS disable”.
- Extra console port is available on Local side.
- Auto console selection between Local and Remote.

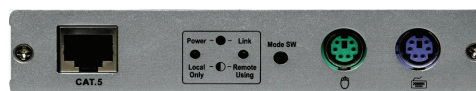
Specifications

Function	KVM-LII	KVM-RII
PC Connector	1 x HD-15 Female (VGA / KB / MS)	None
Monitor Connector	1 x HD-15 Female	
Keyboard Connector	1 x 6 pin mini-DIN Female (PS/2)	
Mouse Connector	1 x 6 pin mini-DIN Female (PS/2)	
Mode Switch Button	1	None
RJ-45 Connector	1	
LEDs	Power	1
	Link	1
Video Resolution	2048×1536@60HZ	
Cable Distance	180 m (Max.)	
Power Adapter	DC 9V 600mA	
Housing	Aluminum	
Weight	235 g	230 g
Dimensions(LxWxH)	130x83.5x29.5 mm	

Hardware Requirements

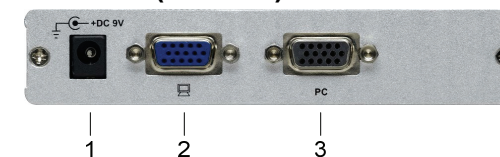
	Required specifications
Console	1 x Highest resolution monitor. 1 x PS/2 mouse. 1 x PS/2 keyboard.
PC	1 x VGA, SVGA or Multisync card. 1 x 6-pin mini-DIN (PS/2) mouse port. 1 x 6-pin mini-DIN (PS/2) keyboard port.
Cable	1 x 3-in-1 KVM cable or equivalent.

KVM-LII (LOCAL) FRONT VIEW



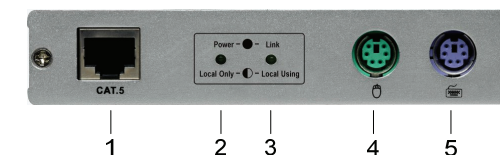
No	Component	Description
1	CAT.5 Connector	Plugs the CAT5 cable into this connector.
2	Power LED	On when the unit power on. Off when the unit has no power. Flash when “Local Using only”.
3	Link LED	On when links successfully. Off when no link to Remote unit. Flash when Remote using.
4	Mode SW Button	Toggle the mode switch between “Share” & “Local only”
5	PS/2 Mouse	The PS/2 Mouse plugs here.
6	PS/2 Keyboard	The PS/2 Keyboard plugs here.

KVM-LII (LOCAL) REAR VIEW



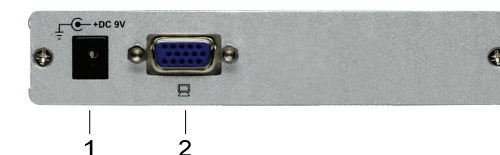
No	Component	Description
1	Power Jack	The power adaptor plugs here.
2	Monitor Connector	The VGA cable (HD-15) connects to the monitor plugs in here.
3	PC Connector	The 3-in-1 cable to PC plugs here.

KVM-RII (REMOTE) FRONT VIEW



No	Component	Description
1	CAT.5 Connector	Plugs the CAT5 cable into this connector.
2	Power LED	On when the unit power on. Off when the unit has no power. Flash when “Local Using only”.
3	Link LED	On when links successfully. Off when no link to Local unit. Flash when Local Using.
4	PS/2 Mouse	The PS/2 Mouse plugs here.
5	PS/2 Keyboard	The PS/2 Keyboard plugs here.

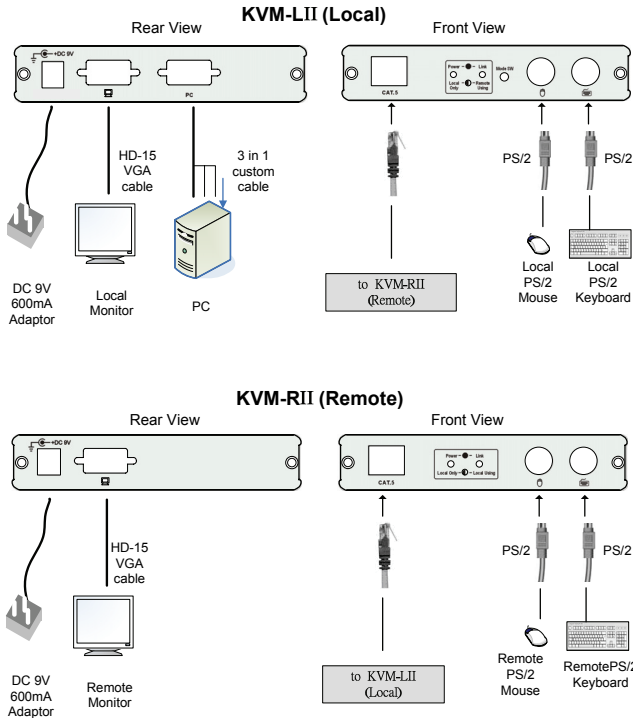
KVM-RII (REMOTE) REAR VIEW



No	Component	Description
1	Power Jack	The power adaptor plugs in here.
2	Monitor Connector	The VGA cable (HD-15) connects to the monitor plugs in here.

*P.S. Power and Link LED flash simultaneously when KVM-EII is in the “command mode”.

Installation



1. Connect PC console port by using standard 3-in-1 cable to Local. (First connects PS/2 mouse, then connects PS/2 keyboard and VGA connector).
2. Connect CAT5 cable to Local.
3. Connect CAT5 cable to Remote.
4. Connect keyboard, mouse and monitor to Local.
5. Connect keyboard, mouse and monitor to Remote.
6. Power on PC and Local.
7. Check the VGA quality by the monitor. If the video quality is not good. Please use hot key of Remote to adjust the video quality.

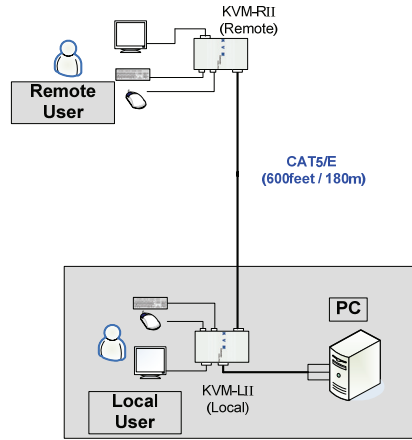
Operation

Change hot key in Local and Remote

Press hot key (default: Scroll Lock) twice to enter the command mode, and press below key to select, and press "ESC" key to exit command mode.

Key	Function
Scroll lock	"Scroll lock" is the hot key.
Num lock	"Num lock" is the hot key.
Shift (left/ right)	"Ctrl" (left/ right) is the hot key.

Mode switch of KVM-EII



KVM-EII supports three modes:

Share mode:

- The two users (Local and Remote) can access one PC base on a first-come, first-served policy.
- When the Local user accessing the PC, the Link LED of Remote will flash to remind the other user that it can't access now, and vice versa.

Local only mode:

- Only the Local user can access the PC. The Remote user can't access the PC (include the video).
- The Power LED of Local and Remote will flash to remind both the Remote and the Local user that right now only the Local can access the PC.
- Only the Local user can switch the access mode.

KB/MS disable mode:

- The Remote user can't access the PC by keyboard and mouse, but can see the video. The Local user can access the PC and see the video.

The Local user can switch the mode by two ways:

- Toggle the push button in the front panel of Local.
- Press hot key (default: Scroll Lock) twice to enter the command mode, and press below key. After operation, press "ESC" key to exit command mode.

Key	Function
L	Switch to "Local only" mode.
S	Switch to "Share" mode.
K	Switch to "KB/MS disable" mode.

Configure Video quality by Remote User

Our KVM Extender provides 2 ways to adjust video quality: **Manually** or **Automatically**. The user can process the adjustment by hot key as follow.

Press hot key (default: Scroll Lock) twice of Remote to enter the command mode, and press below key to select video adjustment function. Then press ↑ or ↓ key to adjust the value. When finished, press "ESC" key to end adjust.

Key	Function
A	Adjust video quality Automatically .
N	Adjust video Gain .
E	Adjust video Equalization .
D	Set video and hot key to Default .

NOTE: All the video parameters have 32 levels to adjust. You can also press & hold ↑ or ↓ to continually adjust video, and if you adjust it to the last level then there will be a "long" beep sound.

Troubleshooting

1. If the Power LED of Remote is not on, please make sure power adapter is connected to Remote.
2. If no video signal is displayed on the monitor.
 - (1) Please check all of VGA cable and CAT5 cable is loosened or disconnected.
 - (2) 3-in-1 cable was not attached to PC during boot up process.
 - (3) Power adapter is not connected.
3. If video signal is foggy or un-clear, please check VGA connector, or low the VGA resolution for long cable. It is highly recommended to use "optimal CAT5 cable length" to get the best video quality and not to waste unnecessary CAT5 cable.
4. For the PC without PS/2 connector, please apply PS/2-to-USB adapter to Local.

Trademarks:

All the companies, brand names, and product names referred to this manual are the trademarks or registered trademarks belonging to their respective companies.