



## 17L Microwave Oven

### Model CE2311SM

#### INSTRUCTION MANUAL

PLEASE SAVE THESE INSTRUCTIONS



Dear Valued Customer

Thank you for purchasing a *CASCADA* appliance.

We understand the importance of your purchasing decision, and appreciate your final choice to introduce this *CASCADA* product into your home.

Your *CASCADA* appliance is recognised as a quality product at an affordable price, and is proudly supported by our after sales service team. We encourage you and your friends to choose from the range of *CASCADA* appliances available exclusively to The Warehouse.

#### TECHNICAL INFORMATION

Please make sure that your house installation voltage corresponds to the voltage marked on the unit.

Mains supply:	230-240V~ 50Hz
Rated Power:	Input 1200 Watts Output 700 Watts
Operating Frequency:	2450 MHz
Outside Dimensions:	295mm(H) x 458mm(W) x 373mm(D)
Inside Dimensions:	206mm(H) x 300mm(W) x 284mm(D)
Oven Capacity:	17L
Turntable:	270mm Diameter
Weight:	13.7Kg

#### SERVICE HELPLINE

In the unlikely event of failure or for product information please contact the below help lines during normal working hours.

New Zealand call 0800-898580  
Email: [service@orientalpacific.com](mailto:service@orientalpacific.com)

## BEFORE FIRST USE

Your *CASCADE* appliance has been packaged carefully to ensure the product reaches you in good condition. If the product has been damaged, dropped, has a malfunction in any way, or if the supply cord is damaged, immediately contact your retailer for replacement or repair.

Carefully unpack your *CASCADE* appliance. Make sure you do not discard any packaging material until all parts of the appliance have been found.

Carefully wipe the exterior of the appliance to remove any dust that may have accumulated. Dry with a dry towel. Do not use harsh abrasive cleaners. Remove any label or sticker.

**WARNING:** Do not immerse in water or any other liquids.

## SAFETY AND INSTALLATION

### Microwave Exposure Safety

***The following safety precautions must be taken to avoid possible exposure to excessive microwave energy before using this appliance.***

Do not attempt to operate this oven with the door open. Do not tamper with the door safety interlocks.

Do not place any object between the oven face and the oven door or allow any build up of food or dirt between the sealing surfaces.

**WARNING:** If the door or door seals are damaged, the oven must not be operated until a trained person has repaired it.

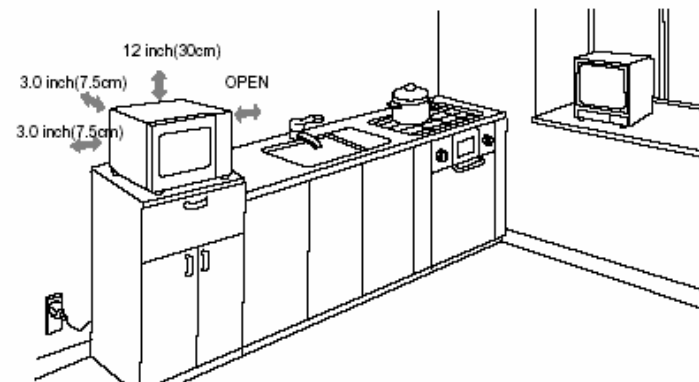
**WARNING:** It is hazardous for anyone other than a trained person to carry out any service or repair operation that involves the removal of any cover that gives protection against exposure to microwave energy. Do not attempt to service this appliance yourself. Return to suitably qualified service personnel for repair.

### Before First Use

**Read all safety instructions carefully before using this microwave.**

### Installation

This oven must have sufficient airflow. Allow a space of 30cm above the oven, 7.5cm at the rear of the oven and 7.5cm at each side of the oven as a minimum.



Place oven on a flat level surface with sufficient strength to hold its expected loaded weight when in use, taking into account any food or dish used. Do not place any object on top of this appliance.

Do not operate the oven near any other heat source, near moisture or high humidity or combustible materials.

This appliance is for indoor domestic household use only. It should not be used outdoors or for commercial or industrial use.

**CAUTION:** This appliance must be connected to a suitable 230-240 V~ **Earthed** supply socket. It is recommended that you do not use any other appliances on the same power circuit.

**WARNING!** Do not operate the microwave oven without the turntable and guide roller in place.

## MICROWAVE COOKING AND SAFETY PRINCIPLES

Always arrange the food carefully and evenly. Place the thickest areas of the food towards the outside of the oven if possible.

Always cook for a shorter time if you are unsure and then add more if required. Severely overcooked food may smoke or ignite.

Always cover the food to ensure even cooking and to avoid splattering.

Turn foods over once when cooking such items as chicken, roasts or large food quantities. Rearrange foods during the cooking process, placing items from the centre to the outside, reversing from the outside to the centre to improve cooking time and evenness.

Remove twist-ties from any bag used.

Pierce foods with heavy skins such as potatoes.

Eggs in their shell and whole hard-boiled eggs should not be heated in microwave ovens as they may explode, even after microwave heating has finished.

Utensils should be checked to ensure that they are suitable for use in microwave ovens. Use an oven cloth to remove.

When heating food in plastic or paper containers, check the oven frequently due to the possibility of ignition.

Microwave heating of beverages can result in delayed eruptive boiling. Therefore care has to be taken when handling the container.

The contents of feeding bottles and baby food jars are to be stirred or shaken and the temperature is to be checked before consumption, in order to avoid burns.

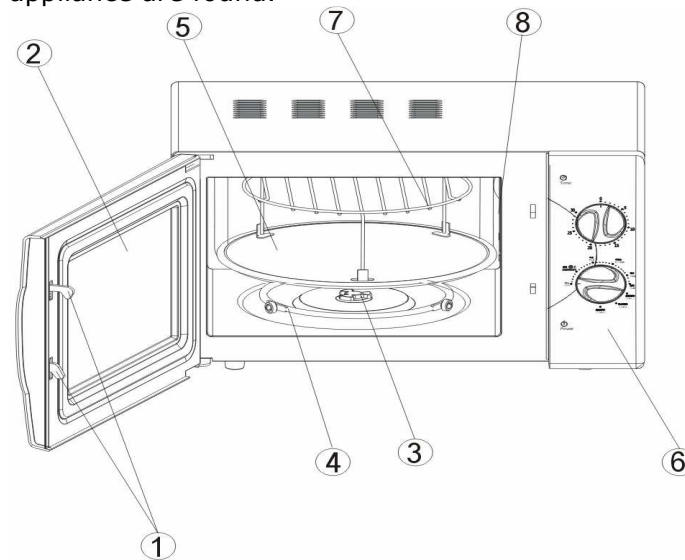
**WARNING:** Liquids or other foods must not be heated in sealed containers since they are liable to explode.

Do not use any metal utensils, trays or cooking dishes. Do not use recycled paper. Round or oval dishes are better than square or oblong dishes.

**WARNING: DO NOT OPERATE THE OVEN WHEN EMPTY.**

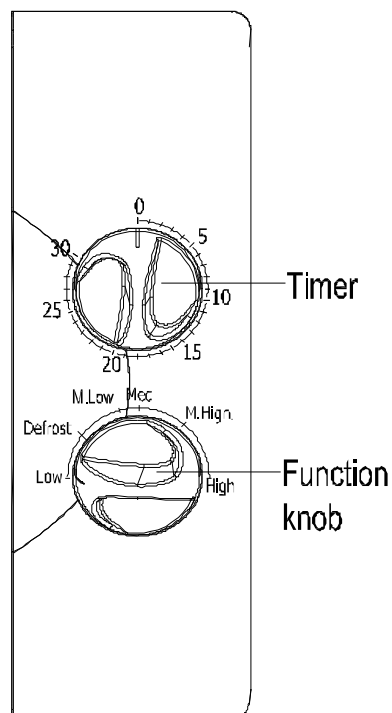
## PARTS AND TURNTABLE GUIDE

Do not throw away any packaging until all parts of the appliance are found.



1. Safety Door Locks
2. Viewing Window
3. Rotating Drive
4. Rotating Ring
5. Glass Turntable
6. Control Panel
7. Grill Rack (not supplied with this model)
8. Wave Guard Cover. **Warning!** Do not remove

**CONTROL PANEL GUIDE**



❑ **Timer.**

Use to set cooking time. Maximum time setting is 30 minutes.

❑ **Function Knob.**

Use to select the different power settings.

**USING THE OVEN**

**Basic Operation.**

To set the time and power level:

- Turn the function knob to the desired **POWER LEVEL.**
- Turn the timer knob to the desired **COOKING TIME.**

The microwave will automatically start and operate until the selected time has elapsed. At the completion of cooking time the timer will return to the off position and a bell will sound.

To cancel the cooking process while the microwave is in operation, simply turn the Timer Dial back round to the '0' position and open the door.

**Power Level Guide**

The following guide indicates the power levels available in this oven.

- HIGH 100% power level.
- M.HIGH 85% power level.
- MED 66 % power level.
- M.LOW 40% power level.
- DEFROST 37% power level.
- LOW 17% power level.

**COOKING TIPS**

Listed here are some simple cooking guides to making microwave cooking simpler.

**Stirring**

Stir foods such as casseroles occasionally during the cooking process. Food at the outside of the dish will cook quicker than that in the center.

**Arrangement**

Arrange foods with the thickest parts to the outside of the center point. Place delicate portions toward the center of the oven.

**Shielding**

Shield delicate portions such as chicken wings by placing a small amount of baking paper over the tips. Do not use in excessive amounts as this may damage the oven.

**Standing**

Food cooked in the microwave can build up internal heat when removed from the oven. Always allow a period of 1 –2 minutes before eating.

**WARNING! NEVER OPERATE THE OVEN EMPTY.**

**UTENSILS GUIDE**

Only use utensils and trays or bowls etc... that are declared as being microwave safe or tested from the manufacturer.

**IMPORTANT SAFETY INSTRUCTIONS**

When using electric appliances always observe safety regulations where applicable to reduce the risk of fire, electric shock and personal injury. Always check that the power supply corresponds to the voltage on the rating plate.

**Supply**

This appliance must be connected to a suitable 230-240V ~ 50Hz power supply. If using an extension cord, ensure that the extension cord is of a suitable 10amp power rating. Fully unwind the supply cord when in use as a coiled cord may overheat. It is not recommended to use other appliances on the same circuit as that supplying this oven.

**Supply cord and plug**

Do not abuse or damage the power cord. Fully uncoil before use. If the supply cord is damaged, it must be replaced by the manufacturer or its service agent or a similarly qualified person in order to avoid a hazard.

**Children**

Caution. Keep out of reach of children. This appliance is not intended for use by young children or infirm persons. Young children must be supervised to ensure that they do not play with the appliance. **WARNING:** Only allow children to use the oven without supervision when adequate instructions have been given so that the child is able to use the oven in a safe way and understands the hazards of improper use.

**Use and environment**

Do not use outdoors. Do not leave in direct sunlight as this may damage the plastic. This appliance is for household use only, not commercial or industrial use. The power socket must be readily accessible so that the oven can be unplugged in an emergency.

**Fire risk**

If smoke is observed, switch off the appliance and keep the door closed in order to stifle any flames.

**Damaged or dropped**

Always inspect your appliance before use. Do not use this appliance if it has been damaged, dropped, left outdoors or dropped in water. Do not use if the door seals or door are damaged in any way. Return it to an authorised service dealer for examination and repair.

**Water**

Do not immerse in water or other liquids or use near washbasins or sinks. Ensure that the appliance does not get wet (water splashes etc.) and do not use it with wet hands.

**Danger to children**

Safely dispose of plastic bags and other components of the packaging. They may be potentially dangerous to children.

**MAINTENANCE AND CLEANING**

Regular maintenance of your appliance will keep it safe and in proper operational order.

When not in use or before cleaning, always disconnect the appliance from the mains supply.

**Cleaning**

Regularly clean the outside of the appliance with a soft damp cloth and dry it with a dry towel. Do not immerse in water. Do not use harsh solvents to clean the plastic. Wash the turntable and roller ring in hot soapy water regularly. Remove any food deposits from the oven. Wipe the door and seal areas to remove any soil build up. **WARNING:** Ensure the air vents are free from obstruction at all times.

**Failure to maintain the oven in a clean state could lead to deterioration of the surface that could adversely affect the life of the appliance and possibly result in a hazardous situation.**

**Odor removal**

Combine a cup of water with the juice and skin from one lemon in a deep microwavable bowl, microwave on high for 5 minutes. Wipe the inside thoroughly with a dry towel.

**Damage check**

Always check that the appliance is in good working order. Check the power supply cord and plug regularly for cuts or damage. Do not use if the door seals are damaged in any way.

**Service**

Do not attempt to service this appliance. If it is faulty in any way, contact the help line or return it to the retailer immediately.

**Warranty Card**

This product is guaranteed against faulty materials and workmanship for a period of two years from the date of purchase with proof of purchase. The obligation to the purchaser under this warranty is limited to servicing the unit and replacing defective parts or refund when the product is returned freight prepaid to the retailer with proof of purchase. This warranty becomes void if the product has been tampered with, damaged by accident, damaged in any other way by improper use or has been purchased second hand. All production orders have quality inspections. In the unlikely event of a deficiency, please contact the retailer from which this product was purchased.

**WARRANTY FOR APPLIANCES USED COMMERCIALY LIMITED TO 90 DAYS**

Type of Appliance: \_\_\_\_\_

Model No.: \_\_\_\_\_ Purchase Date: \_\_\_\_\_

Product Purchased From: \_\_\_\_\_

Your Name: \_\_\_\_\_

Address: \_\_\_\_\_

\_\_\_\_\_ Phone Number: \_\_\_\_\_

**IMPORTANT!**

Please retain this warranty card along with your purchase receipt. Please do not post to the retailer. If service or a warranty claim is required, both of these documents are to be returned with the appliance to your retailer, otherwise a fee may be charged or warranty declined. For technical help contact the helpline.

**Technical Assistance Helpline**

New Zealand call Toll Free 0800-898580

Australia call Toll Free 1-800-858011

Email [service@orientalpacific.com](mailto:service@orientalpacific.com)