

---

# INSTALLATION INSTRUCTIONS

---

## SINGLE STAGE HEAT PUMPS LOW VOLTAGE CONTROL CIRCUIT WIRING

### MODELS

W\*\*H

W\*\*H\*D

S\*\*H

S\*\*H\*D

T\*\*H

T\*\*H\*D



*Climate Control Solutions*

Bard Manufacturing Company, Inc.  
Bryan, Ohio 43506

*Since 1914...Moving ahead just as planned.*

Manual : 2100-516H  
Supersedes: 2100-516G  
File: Volume III Tab 16  
Date: 03-28-14

# Contents

---

## Installation Instructions

Wiring – Low Voltage Wiring.....	3
Operating Voltage Range.....	3
Low Voltage Connection .....	3

## Figures

Figure 1 Basic HP w/Opt. Elec. Heat .....	5
Figure 2 HP w/Opt. MFAD, CRV & ERV Vent. Pkg. w/Programmable T-Stat .....	6
Figure 3 HP w/Opt. MFAD, CRV & ERV Vent. Pkg. w/Non-Programmable T-Stat.....	7
Figure 4 HP w/Opt. MFAD, CRV & ERV Vent. Pkg. w/Non-Programmable Thermostat with CO <sub>2</sub> Controller.....	8
Figure 5 Heat Pump w/Opt. Economizer "E" Vent Option .....	9
Figure 6 HP w/Dehumidification Sequence & No Vent Pkg. Using T-Stat Comb. ....	10
Figure 7 HP w/Dehumidification Sequence w/ Non-Programmable T-Stat .....	11
Figure 8 HP w/Dehumidification Sequence & Opt. MFAD, CRV, & ERV Vent Pkg. Using Elec. T-Stat with Combination Temp. & Humidity Control .....	12
Figure 9 HP w/Dehumidification Sequence & Opt. MFAD, CRV & ERV Vent. Pkg. Using Non-Prog. T-Stat. (No Occupied Signal).....	13
Figure 10 HP w/Dehumidification Sequence & Opt. MFAD, CRV & ERV Vent. Pkg. Using Non-Prog. T-Stat. with CO <sub>2</sub> Controller .....	14
Figure 11 Heat Pump w/CS2000A* .....	15
Figure 12 W**H1 Dehum. with Economizer and #8403-060 Thermostat (EIFM) "E" Vent Option .....	16
Figure 13 1-Stage HP w/Opt. Elec. Heat with or w/o Dehum. with ECONWM* Style Economizer "W" or "T" Vent Option .....	17
Figure 14 HP w/Opt. CRVMP Vent Pkg. with Programmable T-Stat.....	18
Figure 15 HP w/Opt. MFAD, CRV & ERV Vent Pkg. with Non-Programmable T-Stat .....	19

## Wiring Diagram

Figure 11 Heat Pump w/CS2000A* .....	15
--------------------------------------	----

## Tables

Table 1 Diagram to Use w/Unit & Vents.....	3
Table 2 Operating Voltage Range.....	3
Table 3 Wall Thermostat .....	3
Table 4 Humidity Controls.....	4
Table 5 CO <sub>2</sub> Controller .....	4
Table 6 Thermostat Wire Size.....	4

**TABLE 1  
DIAGRAM TO USE WITH UNIT AND VENTS**

System	Vent	None		CRV, ERV, MFAD		CRVMWH-3 CHCRV-5		EIFM Economizer		ECONWM*		CS2000A*	
	Vent Code	X		R, M, V, P		C		E		T, W, S			
	Thermostat	Programmable		Programmable		Programmable		Programmable		Programmable			All
	Model Series	No	Yes	No	Yes	No	Yes	No	Yes	No	Yes		
Heat Pump	S**H T**H W**H	1	1	3 & 4	2	15	14	N/A	5	N/A	13	11	
Heat Pump with Dehumidification	S**H*D T**H*D W**H*D	7	6	9 & 10	8	N/A	14	N/A	12	N/A	13	N/A	

**WIRING – LOW VOLTAGE WIRING**

230/208V, 1 phase and 3 phase equipment dual primary voltage transformers. All equipment leaves the factory wired on 240V tap. For 208V operation, reconnect from 240V to 208V tap. The acceptable operating voltage range for the 240V and 208V taps are:

**TABLE 2  
OPERATING VOLTAGE RANGE**

TAP	RANGE
240V	253 – 216
208V	220 – 187

*NOTE: The voltage should be measured at the field power connection point in the unit and while the unit is operating at full load (maximum amperage operating condition).*

An 18 gauge copper, color-coded thermostat cable is recommended. The connection points are shown in this Manual. See Table above.

**Low Voltage Connection**

These units use a grounded 24-volt AC low voltage circuit.

The “R” terminal is the *hot* terminal and the “C” terminal is *grounded*.

“G” terminal is the *fan input*.

“Y” terminal is the *compressor input*.

“B” terminal is the *reversing valve input*. The reversing valve must be energized for heating mode.

“R” terminal is the *24 VAC hot*.

“C” terminal is the *24 VAC grounded*.

“L” terminal is *compressor lockout output*. This terminal is activated on a high or low pressure trip by the electronic heat pump control. This is a 24 VAC output.

“W2” terminal is *second stage heat* (if equipped).

“O1” terminal is the *ventilation input*. This terminal energizes any factory installed ventilation option.

“E” terminal is the *emergency heat input*. This terminal energizes the emergency heat relay.

“W3” terminal is the *dehumidification input*. This terminal energizes compressor, blower and three-way valve.

**LOW VOLTAGE CONNECTIONS  
FOR DDC CONTROL**

Fan Only	Energize G
Cooling Mode	Energize Y, G
Heat Pump Heating	Energize Y, G, B
2nd Stage Heating w/Heat Pump (if employed)	Energize G, W2, Y, B
Ventilation	Energize G, O1
Emergency Heat	Energize B, W2, E, G
Dehumidification	Energize W3

**TABLE 3  
WALL THERMOSTAT**

Part Number	Predominate Features
8403-058 (TH5220D1151)	2 stage Cool, 2 stage Heat - Conventional 1 stage Cool, 2 stage Heat - Heat Pump Electronic Non-Programmable Auto or Manual changeover
8403-060 (1120-445)	3 stage Cool; 3 stage Heat Programmable/Non-Programmable Electronic HP or Conventional Auto or Manual changeover Dehumidification Output

**TABLE 4  
HUMIDITY CONTROLS**

Part Number	Predominate Features
8403-038 (H600A1014)	SPDT switching, pilot duty 50VA @ 24V Humidity range 20-80% RH
8403-047 (H200-10-21-10)	Electronic dehumidistat SPST closes-on-rise Humidity range 10-90% with adjustable stops

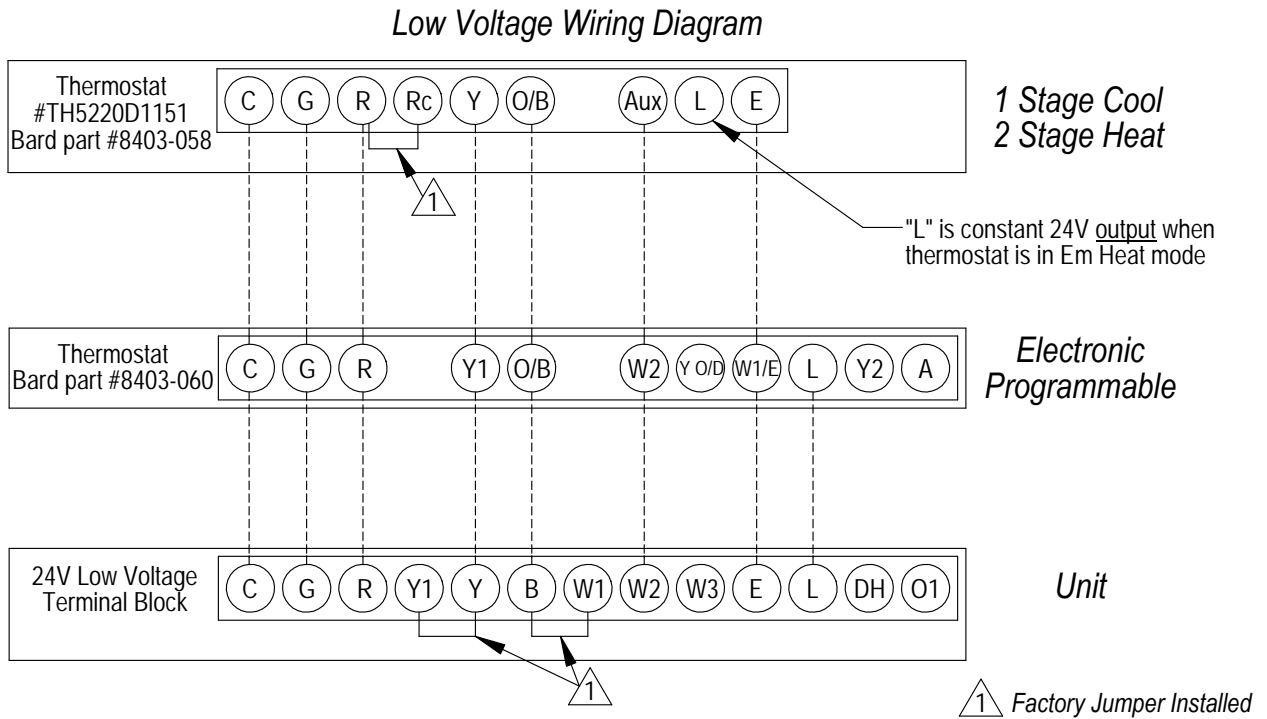
**TABLE 5  
CO2 CONTROLLER**

Part Number	Predominate Features
8403-067	Normally Open SPST relay closes-on-rise 24V dual wave length sensor. Default setting 950ppm, adjustable to 0-2000ppm Default off setting 1000ppm, adjustable to 0-200 ppm can be calibrated

**TABLE 6  
THERMOSTAT WIRE SIZE**

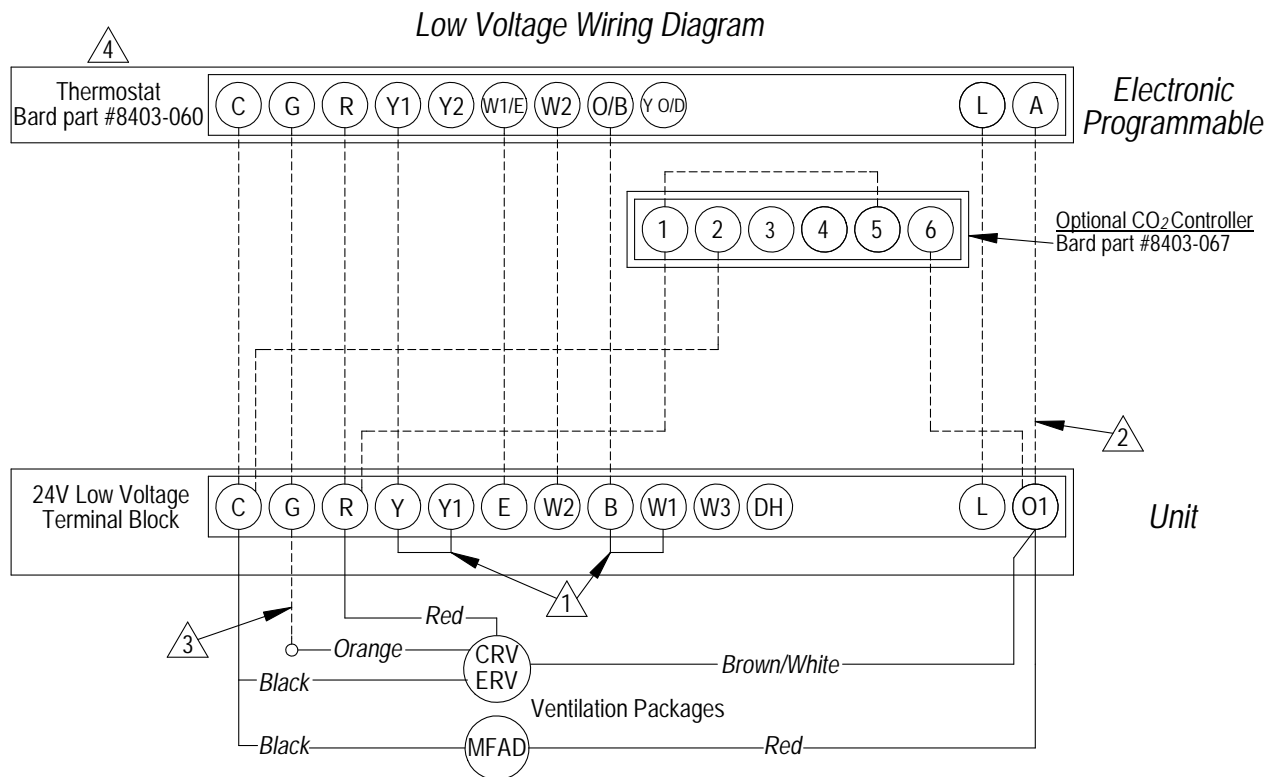
Transformer VA	FLA	Wire Gauge	Maximum Distance In Feet
55	2.3	20 gauge	45
		18 gauge	60
		16 gauge	100
		14 gauge	160
		12 gauge	250

**FIGURE 1**  
**BASIC HEAT PUMP WITH OPTIONAL ELECTRIC HEAT**  
**NO ECONOMIZER or VENTILATION PACKAGES**



MIS-2645 C

**FIGURE 2**  
**HEAT PUMP WITH OPTIONAL MFAD, CRV & ERV**  
**VENTILATION PACKAGING WITH PROGRAMMABLE THERMOSTAT (RECOMMENDED)**

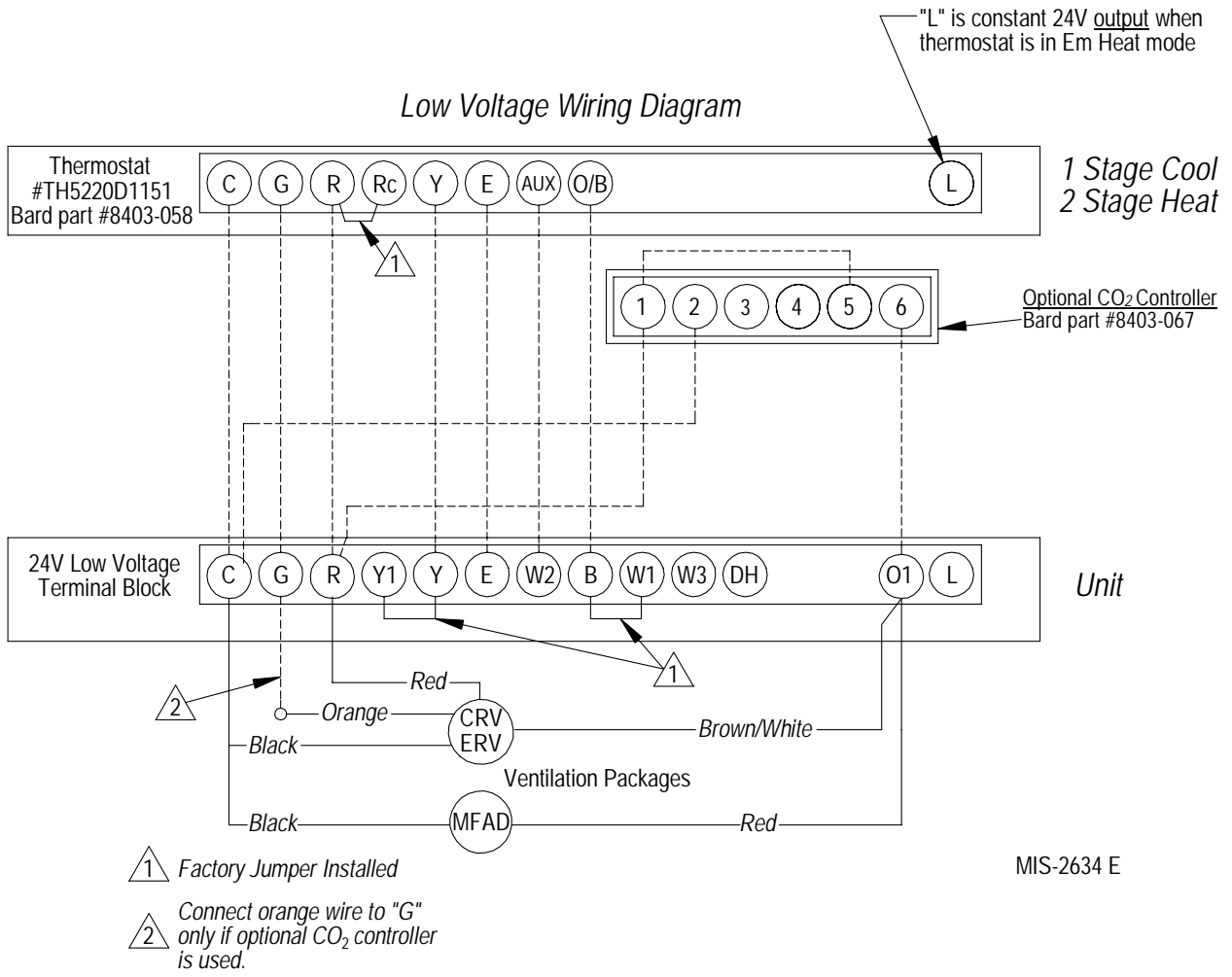


- ⚠️ 1 Factory Jumper Installed
- ⚠️ 2 Do not connect "A" from tstat #8403-060 if optional CO<sub>2</sub> controller is used.
- ⚠️ 3 Connect orange wire to "G" only if optional CO<sub>2</sub> controller is used.
- ⚠️ 4 Must be configured to programmable and fan set to programmed for the "A" output to function during scheduled occupied periods

MIS-2633 C

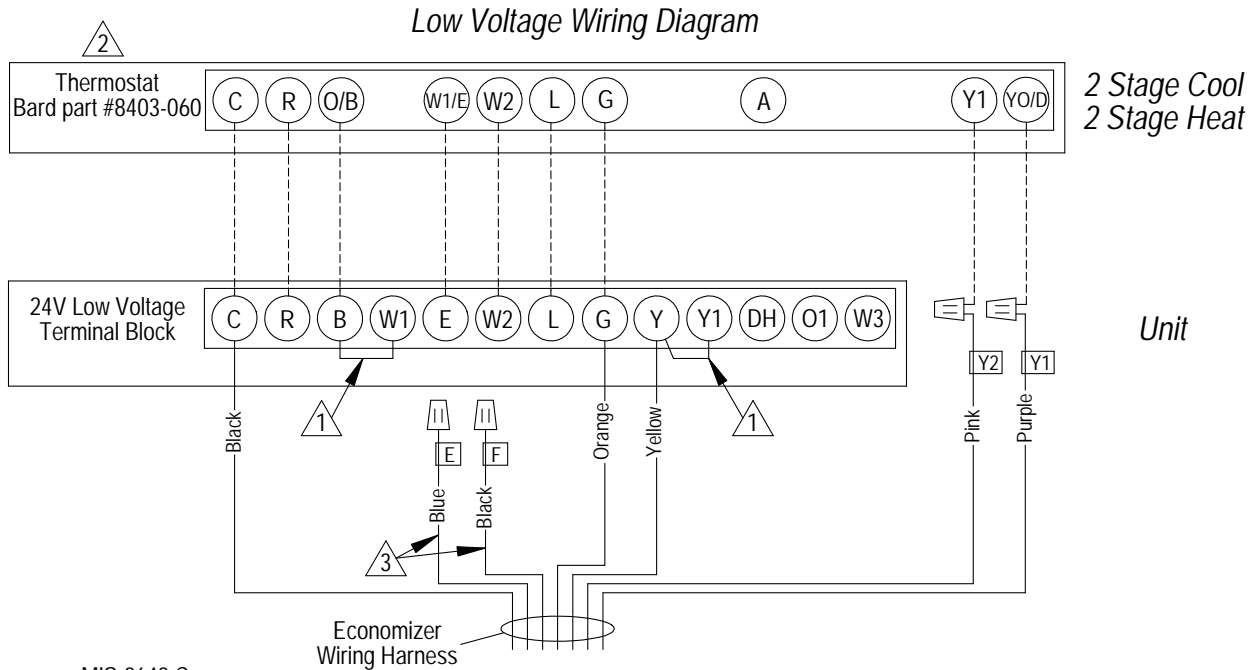


**FIGURE 4**  
**HEAT PUMP WITH OPTIONAL MFAD, CRV and ERV VENTILATION**  
**PACKAGING WITH NON-PROGRAMMABLE THERMOSTAT WITH CO2 CONTROLLER**





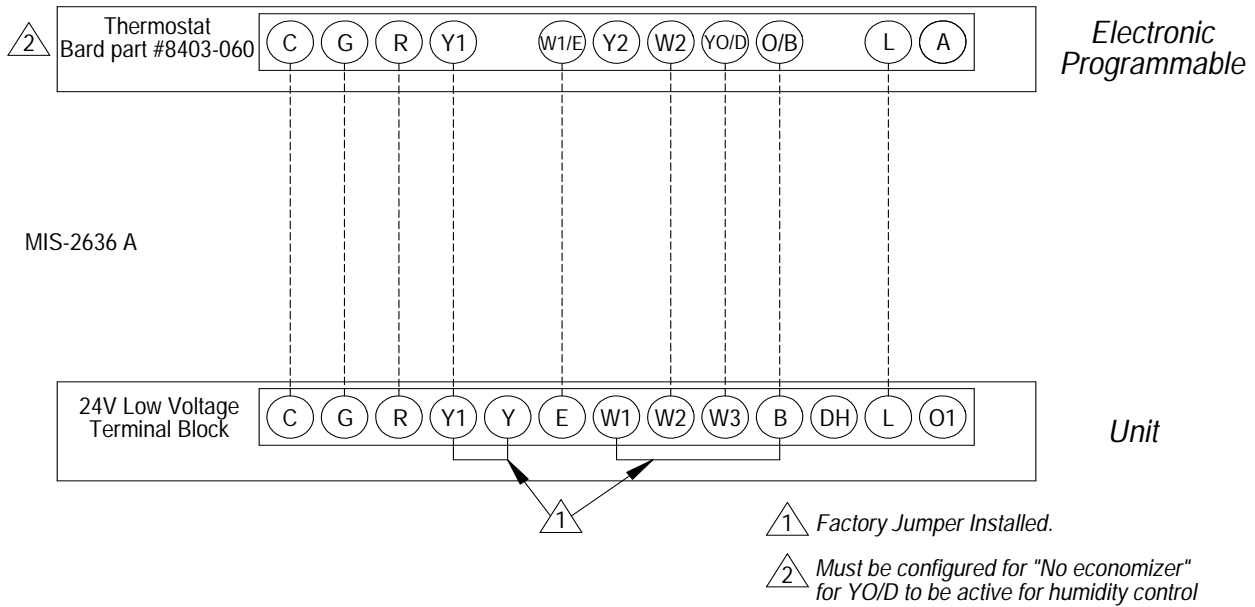
**FIGURE 5  
HEAT PUMP WITH OPTIONAL EIFM ECONOMIZER  
"E" VENT OPTION**



- ⚠️ *1* Factory Jumper Installed.
- ⚠️ *2* Must be configured for economizer with YO/D output to be active as first stage cooling.
- ⚠️ *3* These wires are used in special control applications only.

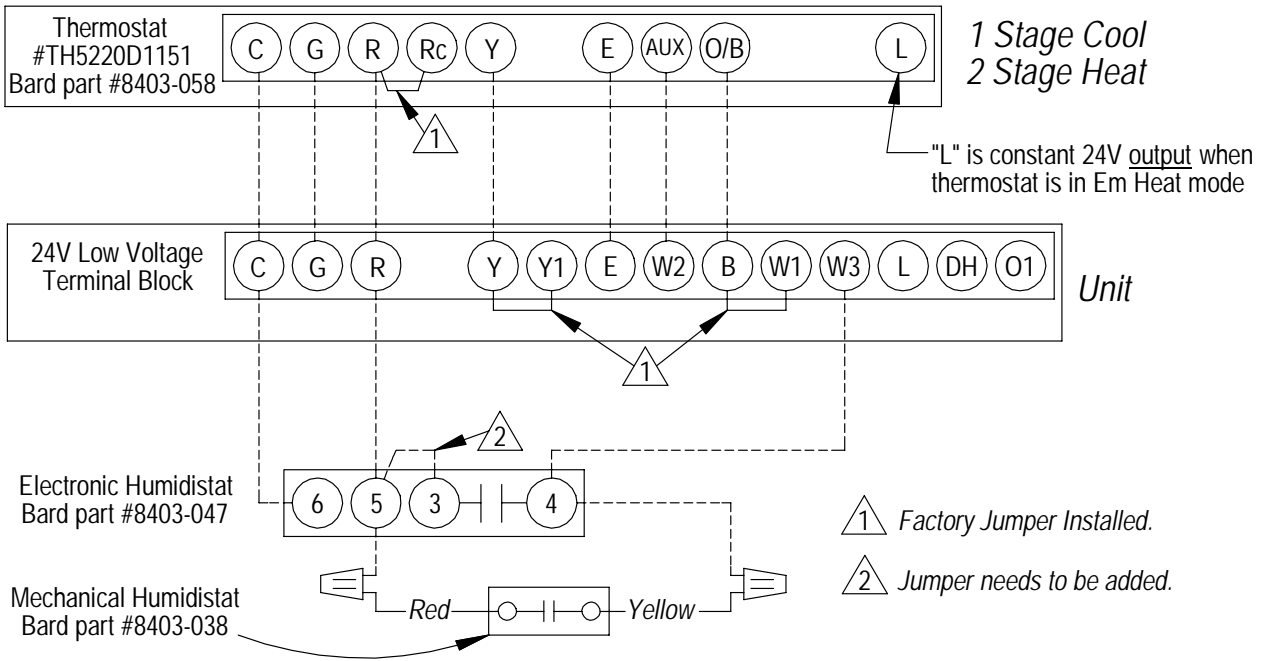
**FIGURE 6**  
**HEAT PUMP WITH DEHUMIDIFICATION SEQUENCE AND NO VENTILATION PACKAGE**  
**USING THERMOSTAT #8403-060 COMBINATION TEMPERATURE & HUMIDITY CONTROLLER**

*Low Voltage Wiring Diagram*



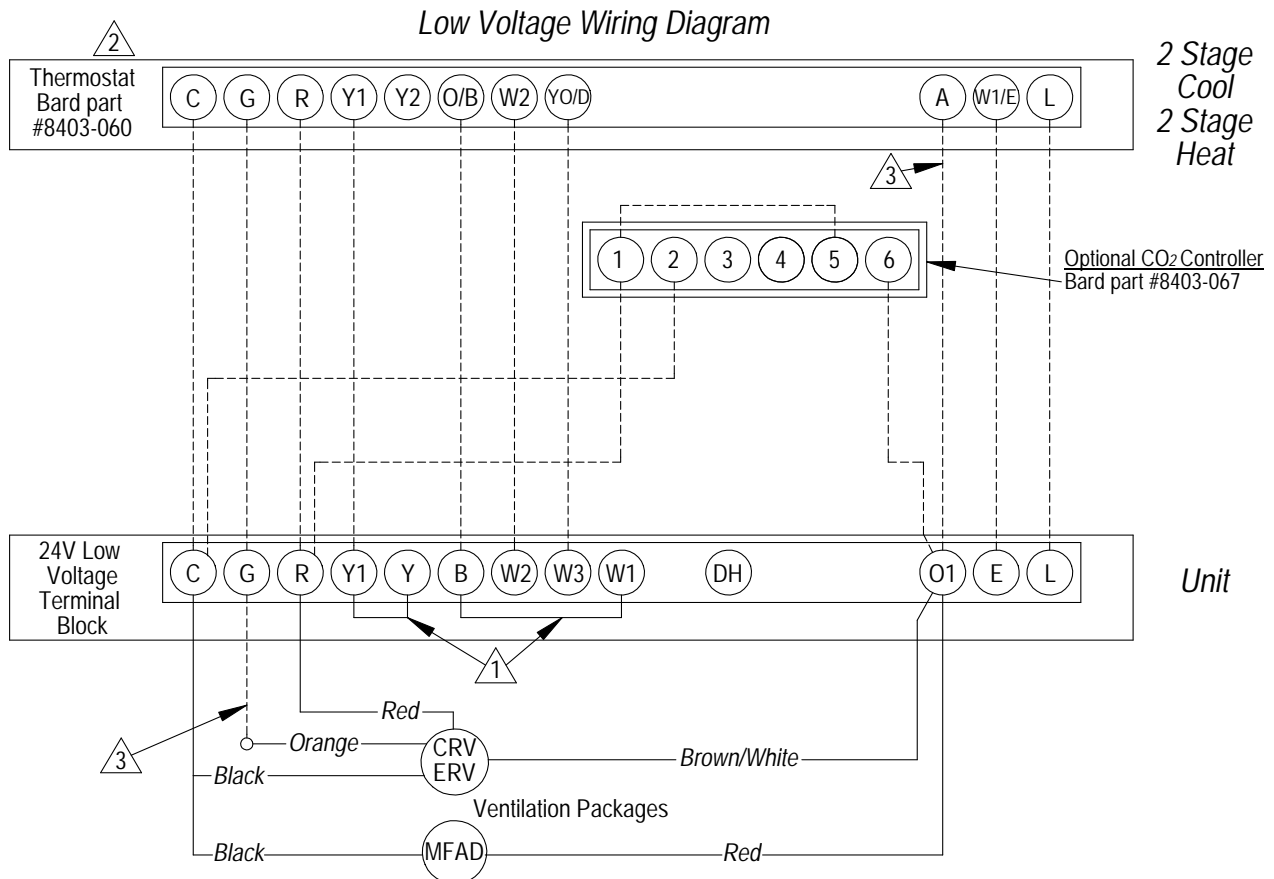
**FIGURE 7  
HEAT PUMP WITH DEHUMIDIFICATION SEQUENCE  
WITH NON-PROGRAMMABLE THERMOSTAT**

*Low Voltage Wiring Diagram*



MIS-2649 B

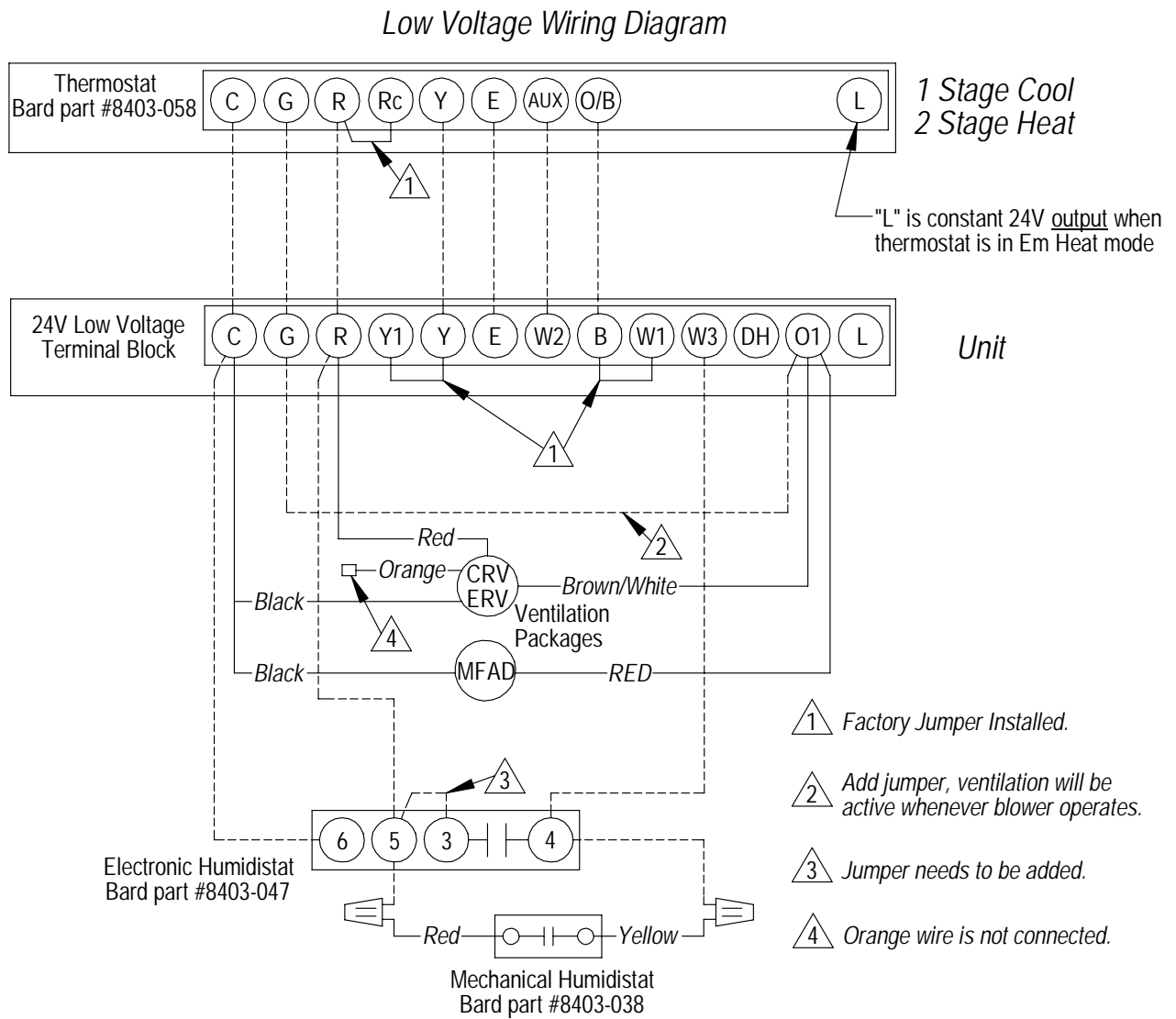
**FIGURE 8**  
**HEAT PUMP WITH DEHUMIDIFICATION SEQUENCE & OPTIONAL MFAD, CRV & ERV VENTILATION**  
**PACKAGING USING ELECTRONIC THERMOSTAT WITH COMBINATION TEMPERATURE &**  
**HUMIDITY CONTROL WITH OPTIONAL CO<sub>2</sub> CONTROLLER**



- ① Factory Jumper Installed
- ② Must be configured to "no economizer" to make YO/D output active for humidity control. Must be configured to programmable and fan set to programmed fan for the "A" output to function during scheduled occupied periods.
- ③ Do not connect "A" from thermostat if optional CO<sub>2</sub> controller is used. Connect orange wire to "G" only when optional CO<sub>2</sub> controller is used.

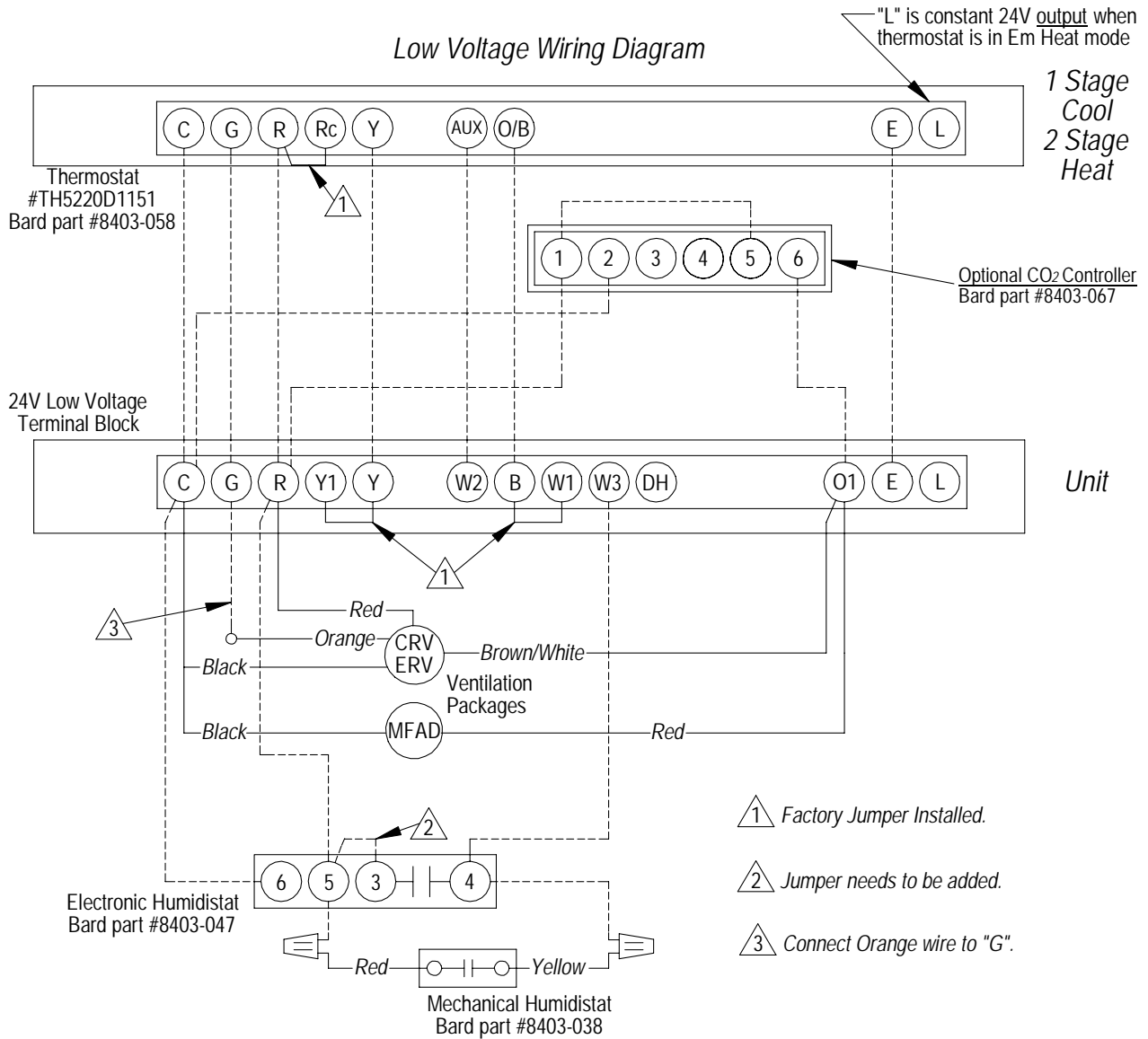
MIS-2637 C

**FIGURE 9**  
**HEAT PUMP WITH DEHUMIDIFICATION SEQUENCE & OPTIONAL MFAD, CRV & ERV VENTILATION**  
**PACKAGING USING A NON-PROGRAMMABLE THERMOSTAT (NO OCCUPIED SIGNAL)**



MIS-2638 C

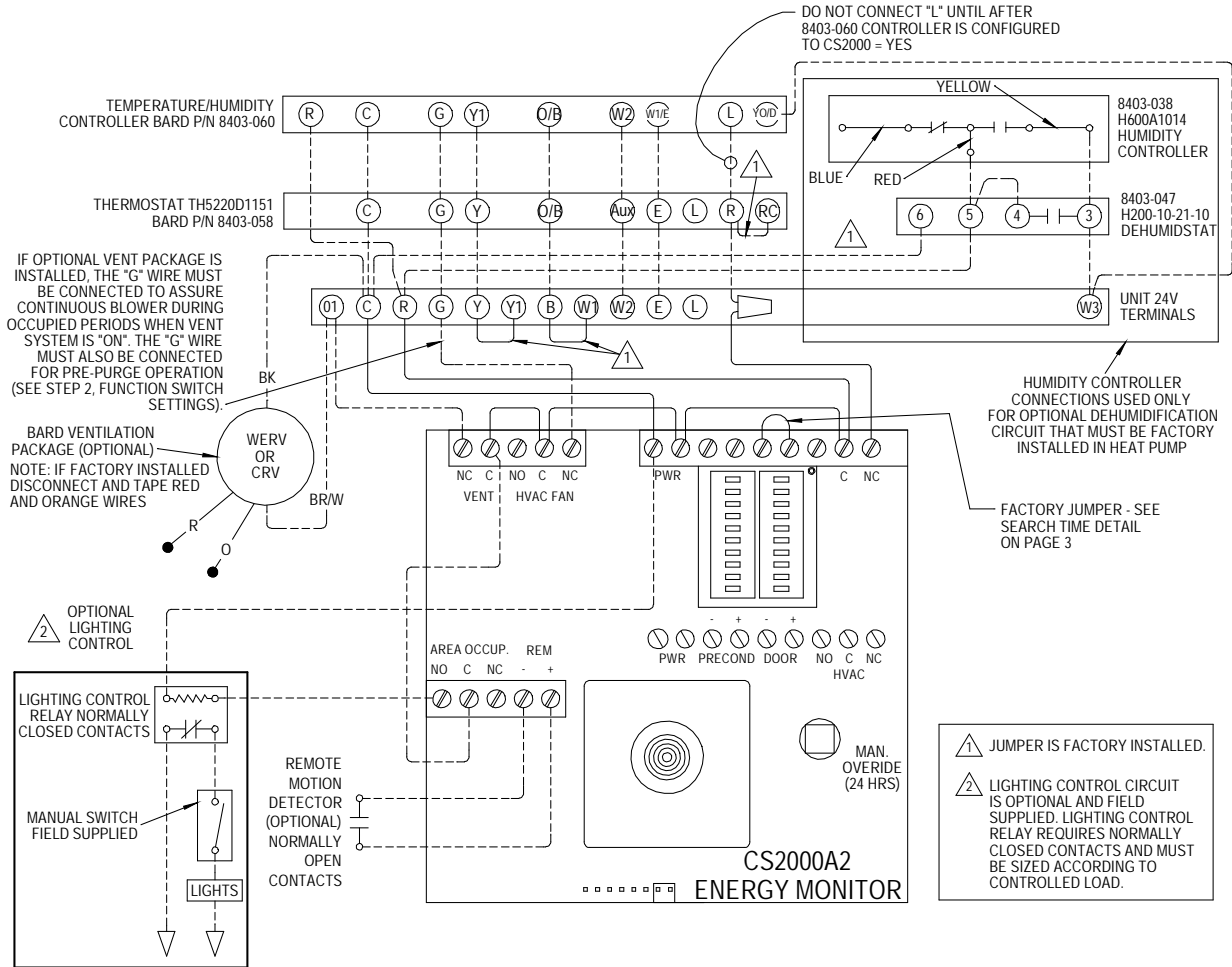
**FIGURE 10**  
**HEAT PUMP WITH DEHUMIDIFICATION SEQUENCE & OPTIONAL MFAD, CRV & ERV VENTILATION**  
**PACKAGING USING A NON-PROGRAMMABLE THERMOSTAT WITH CO2 CONTROLLER**



MIS-2639 E

**FIGURE 11  
HEAT PUMP WITH CS2000A2**

**WH/SH HEAT PUMP CONNECTION DIAGRAM**

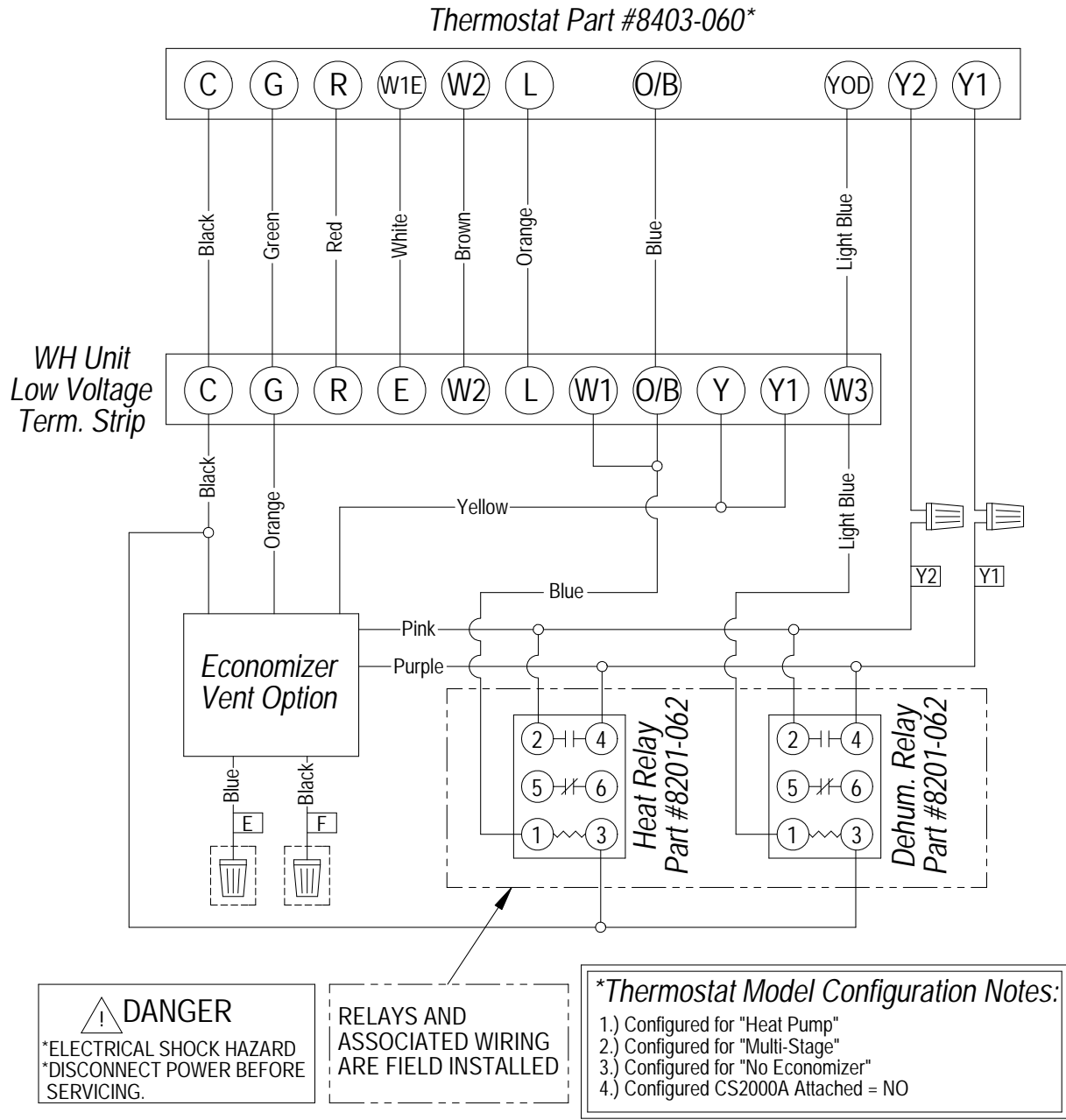


**RECOMMENDED SWITCH SETTINGS SHOWN BELOW**

FUNCTION SWITCHES		TEMPERATURE SWITCHES	
LEARN			90
PRE P			84
MODE			81
RATE			78
SEARCH-TIME			68
N/C			65
STAGE			62
AUX			58
DEMAND 2			54
DEMAND 1			48

4093-140 L

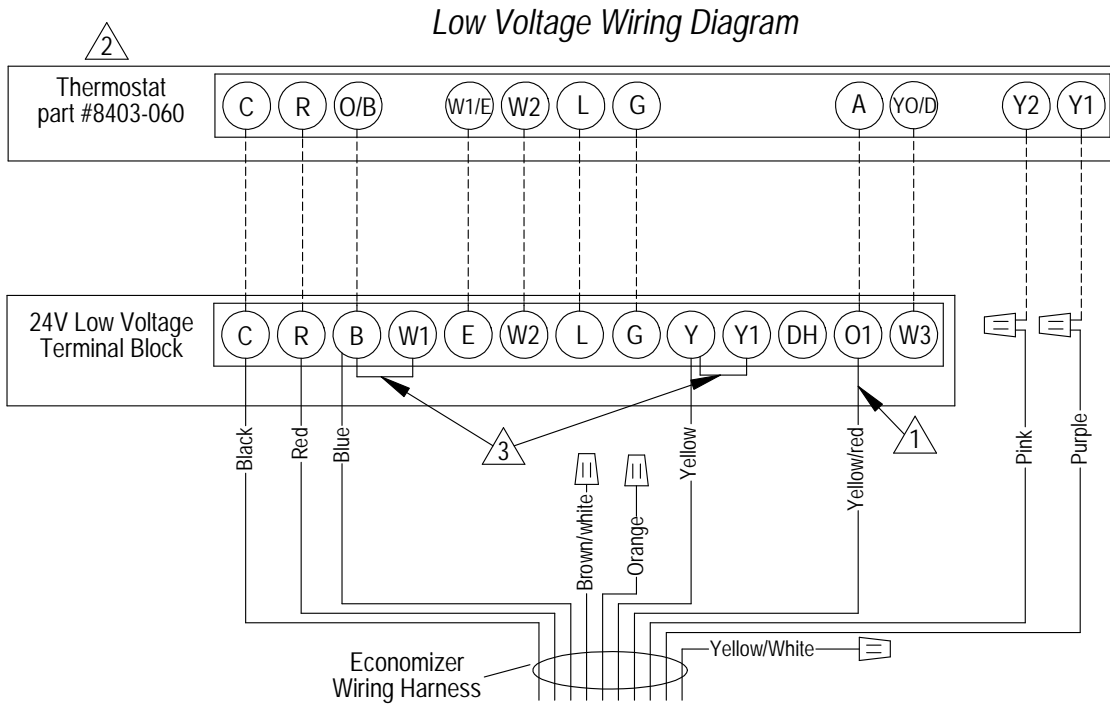
**FIGURE 12**  
**W\*\*H1 DEHUM. WITH ECONOMIZER**  
**& #8403-060 THERMOSTAT (EIFM)**  
**"E" VENT OPTION**



4200-001 B



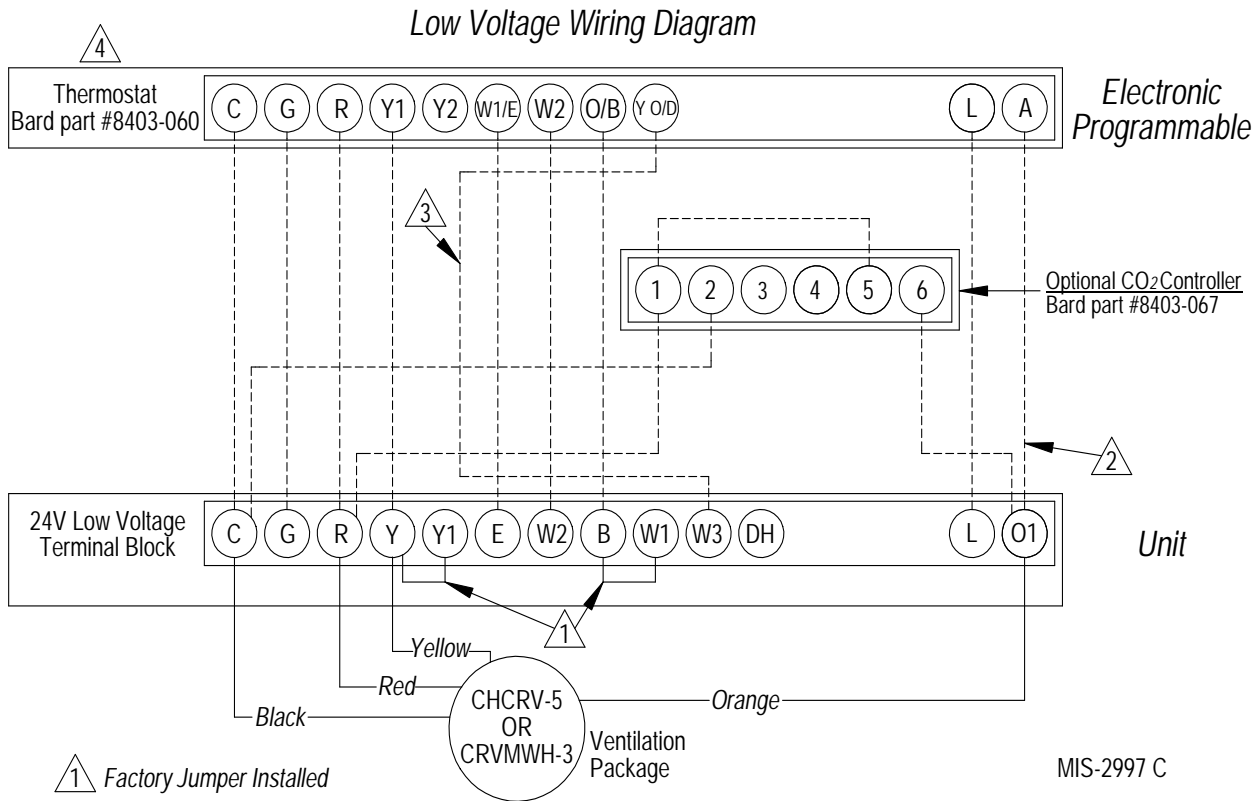
**FIGURE 13**  
**1-STAGE HEAT PUMP WITH OPTIONAL ELECTRIC HEAT**  
**WITH OR WITHOUT DEHUMIDIFICATION**  
**WITH ECONWM\* STYLE ECONOMIZER**  
**“W” OR “T” VENT OPTION**



- ① *Must be energized to enable minimum position. NOTE: Economizer Control Default Setting is 10V (100%). Depending upon application may require setting to lower value.*
- ② *Must be configured for heat pump / multistage/ no economizer/ to enable YO/D output to be active as dehumidification output*
- ③ *Factory Jumper Installed.*

MIS-2981 B

**FIGURE 14**  
**HEAT PUMP WITH OPTIONAL CRVMWH-3 OR CHCRV-5**  
**VENTILATION PACKAGING WITH PROGRAMMABLE THERMOSTAT (RECOMMENDED)**



- 1 Factory Jumper Installed
- 2 Do not connect "A" from tstat #8403-060 if optional CO<sub>2</sub> controller is used.
- 3 Wire only needed for dehumidification units
- 4 Must be configured to programmable and fan set to programmed for the "A" output to function during scheduled occupied periods

MIS-2997 C

**FIGURE 15**  
**HEAT PUMP WITH OPTIONAL CRVMWH-3 OR CHCRV-5 VENTILATION**  
**PACKAGING WITH NON-PROGRAMMABLE THERMOSTAT (NO OCCUPIED SIGNAL)**

