

Industrial Paddle Fan

MODELS: PFC-48II & PFC-56II /SERIES

CAUTIONS

WARNING: To reduce the risk of personal injury, do not bend the blade brackets when installing the brackets, balancing the blades, or cleaning the fan. Do not insert foreign objects in between rotating fan blades.

WARNING: To reduce the risk of fire, electric shock, or personal injury, mount to outlet box marked "Acceptable for Fan Support" and use mounting hardware provided with the box.

WARNING: To reduce the risk of fire, electric shock, do not use this fan with any solid-state speed control device.

This product must be mounted and wired in compliance with all local and national electrical codes.

Before wiring the ceiling fan, turn off electric power at the circuit breaker or fuse box and leave off until installation is complete.

Mount outlet box so that it will support at least 35 pounds.

Note: the weight of the fan is as follows:

PFC-48 14 lbs. PFC-56 20 lbs.

LOCATION

1. When fan is installed, you must allow a minimum of 10 feet between floor and bottom of fan blades.
2. For this model, the center of the fan must be located at least 32" from any vertical surface - wall, doors, partitions, etc. This allows minimum clearance for fan blades.
3. Do not mount fan below, next to or between air ducts, beams or any other obstructions which may interfere with the natural air flow pattern created by the fan.
4. Place fans near constantly opening doors and shipping bays to produce an "air shield" effect that helps keep out cold air in winter and dust, odors and insects in the summer.
5. If desired, fans can be installed directly above heat producing machinery to reclaim the heated air.
6. For maximum air flow, fans should be located above aisles in warehouses and storage areas.
7. Make sure fan voltage is compatible with your electrical system.
8. FOR SLOPED CEILING INSTALLATIONS ONLY: Ball and socket mounting system will work on sloped ceilings up to 22° maximum (rise/run = 5/12).

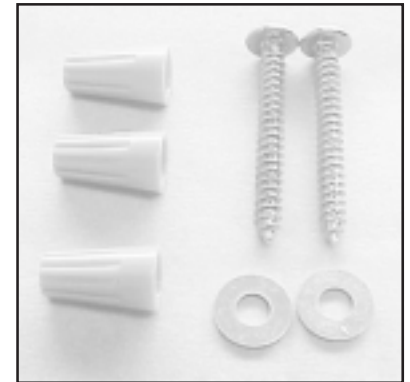


Photo shows hardware included with your new ceiling fan.

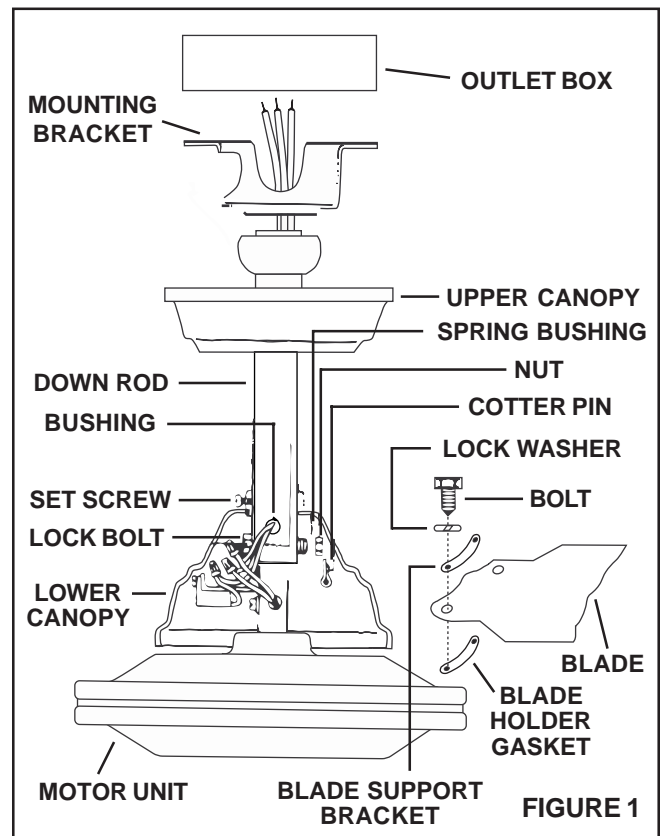


FIGURE 1

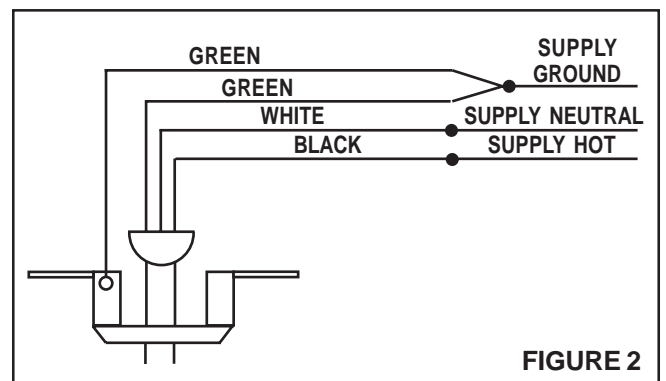


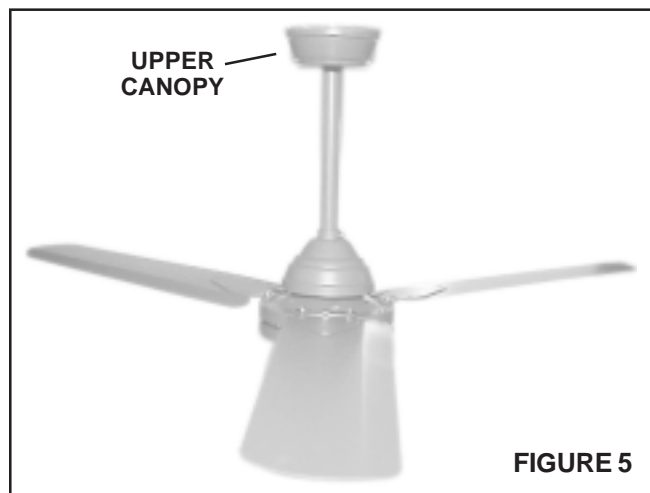
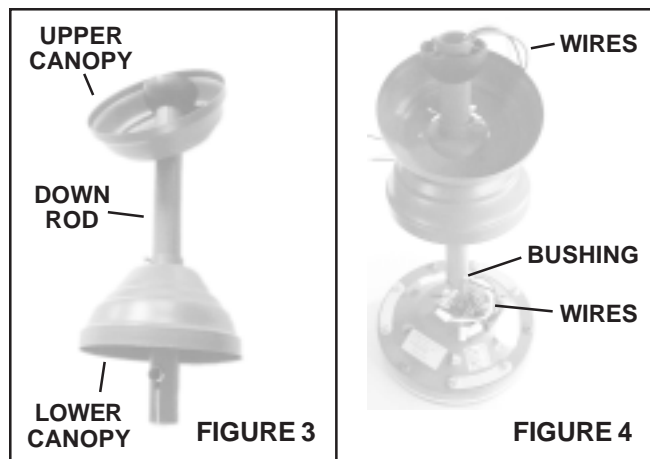
FIGURE 2

HOW TO ASSEMBLE (FIGURE 1 shows fan parts.)

1. Locate upper canopy and remove two (2) screws holding fan mounting bracket in canopy.
2. Locate down rod and remove spring bushing from hole inside of rod and remove set screw from down rod.
3. (FIGURE 3) Place **upper canopy** and **lower canopy** on **down rod** by placing upper canopy over down rod with open end toward plastic ball hanger. Place lower canopy over down rod with open end facing away from plastic ball hanger.
4. Replace spring bushing into hole inside of down rod.
5. (FIGURE 4) Thread the **wire** from the **bushing** through the down rod by feeding the white, black and green supply wires from motor through the bushing in the down rod and up through the down rod.
6. Remove cotter pin from bolt on motor shaft. Remove nut, washers and bolt from motor shaft. Slide end of down rod over plastic sleeve on motor shaft so that holes in down rod line up with hole in motor shaft. (**Replace bolt, flat washer, lockwasher, nut and cotter pin**). **IMPORTANT: Tighten nut until lockwasher is fully compressed. No play or wiggle should be evident between the down rod and the shaft.** Bend out ends of cotter pin to secure. Replace and tighten set screw into down rod that was removed from Step 2.
7. Position lower canopy over motor shaft and wiring until it stops and secure with set screw.
8. Blades may be installed at this time.
PFC-48 / PFC-56 Remove the two screws, lockwashers, and blade support bracket from motor housing. Leave fiber board gasket in place on motor housing. Place blade, with mounting bracket up, over the gasket and replace the screws, lockwashers, and blade support bracket. Tighten securely. Repeat for each blade.
9. Place black rubber spacers in between the fan hanger bracket and the 4" metal box. Mount the fan hanger bracket to the 4" box marked for fan support. Use the mounting screws or hardware provided with the ceiling box. **IMPORTANT: The ceiling box must be marked as acceptable for fan support.** The box should be securely fastened to the structure so that it will support at least 35 lbs. Supply wiring, 120V, 60 Hz, should be run through a wall switch to the outlet box.
10. Lift fan and place the ball hanger of the fan into the mounting bracket. Rotate down rod until slot in ball hanger engages tab of mounting bracket.
11. Cut off excess length of motor leads allowing 6" of lead to extend into the outlet box. Strip leads approximately 1/4".
12. (FIGURE 2) Connect fan leads to house supply wires using Listed wire connectors. Connect white to white, black to black, and green ground wires from fan and from mounting bracket to the supply ground. After splice connections are made, turn splices upward and carefully push into outlet box with green and white leads on one side of the box and the black leads on the other side of the box.
13. (FIGURE 5) Raise the **upper canopy** up to the mounting bracket and secure using the two screws removed earlier.
14. Restore electrical power and check for proper operation of the fan.

IMPORTANT SAFEGUARDS

1. Be sure fan is switched off before cleaning it.
2. Keep hands, clothing and other objects away from moving fan blades.
3. Exercise close supervision of children if they are present when fan is operating.
4. Shut off electricity to fan before servicing or working near fan.
5. Do not operate fan if it has been damaged in any manner. Contact your nearest NuTone Authorized Service Center.



NuTone®

Two Year Limited Warranty

WARRANTY OWNER: NuTone warrants to the original consumer purchaser of its products that such products will be free from defects in materials or workmanship for a period of two (2) years from the date of original purchase. **THERE ARE NO OTHER WARRANTIES, EXPRESS OR IMPLIED, INCLUDING, BUT NOT LIMITED TO, IMPLIED WARRANTIES OF MERCHANTABILITY OR FITNESS FOR A PARTICULAR PURPOSE.**

During this two year period, NuTone will, at its option, repair or replace, without charge, any product or part which is found to be defective under normal use and service. **THIS WARRANTY DOES NOT EXTEND TO FLUORESCENT LAMP STARTERS OR TUBES.** This warranty does not cover (a) normal maintenance and service or (b) any products or parts which have been subject to misuse, negligence, accident, improper maintenance or repair (other than by NuTone), faulty installation or installation contrary to recommended installation instructions.

The duration of any implied warranty is limited to the two year period as specified for the express warranty. Some states do not allow limitation on how long an implied warranty lasts, so the above limitation may not apply to you.

NUTONE'S OBLIGATION TO REPAIR OR REPLACE, AT NUTONE'S OPTION, SHALL BE THE PURCHASER'S SOLE AND EXCLUSIVE REMEDY UNDER THIS WARRANTY. NUTONE SHALL NOT BE LIABLE FOR INCIDENTAL, CONSEQUENTIAL OR SPECIAL DAMAGES ARISING OUT OF OR IN CONNECTION WITH PRODUCT USE OR PERFORMANCE. Some states do not allow the exclusion or limitation of incidental or consequential damages, so the above limitation or exclusion may not apply to you. This warranty gives you specific legal rights, and you may also have other rights, which vary from state to state. This warranty supersedes all prior warranties.

WARRANTY SERVICE: To qualify for warranty service, you must (a) notify NuTone at the address stated below or telephone 1/800-543-8687, (b) give the model number and part identification and (c) describe the nature of any defect in the product or part. At the time of requesting warranty service, you must present evidence of the original purchase date.

Date of Installation	Builder or Installer
----------------------	----------------------

Model No. and Product Description

IF YOU NEED ASSISTANCE OR SERVICE:
For the location of your nearest NuTone Independent Authorized Service Center:
Residents of the contiguous United States Dial Free 1-800-543-8687
Please be prepared to provide:
Product model number • Date and Proof of purchase • The nature of the difficulty
Residents of Alaska or Hawaii should write to: NuTone Inc. Attn: Department of National Field Service, 4820 Red Bank Road, Cincinnati Ohio 45227-1599.
Residents of Canada should write to: Broan-NuTone Canada, 1140 Tristar Drive, Mississauga, Ontario, Canada L5T 1H9.

Rev. 03/2001