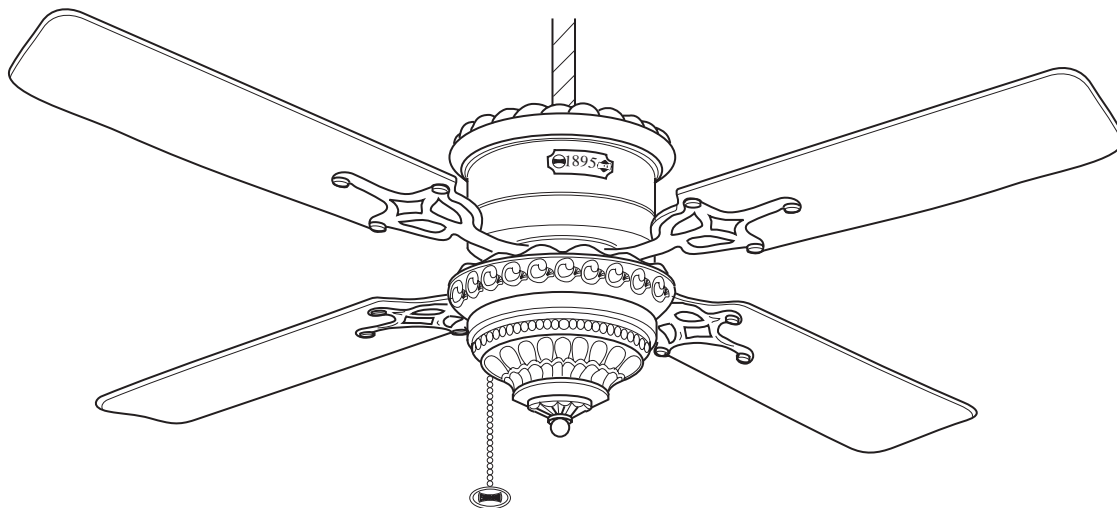


READ AND SAVE THESE INSTRUCTIONS



Model No.

CF1AB01

CF1WB01

CF1PW01

DATE CODE: _____

The date code of this fan may be found on the box, stamped in ink on a white label.

You should record this data above and keep it in a safe place for future use.

Max. Weight: 27.0 Lbs.
With Blades



CORNERSTONE™ Series Ceiling Fan Owner's Manual

 **WARNING**

WARNING: To avoid fire, shock, and serious personal injury, follow these instructions.

Safety Instructions

1. Read your owner's manual carefully and keep it for future reference.
2. Before servicing or cleaning unit, switch power off at service panel and lock service panel disconnecting means to prevent power from being switched on accidentally. When the service disconnecting means cannot be locked, securely fasten a warning device, such as a tag, to the service panel.
3. Be careful of the fan and blades when cleaning, painting, or working near the fan. Always turn off the power to the ceiling fan before servicing.
4. Do not put anything into the fan blades while they are turning.
5. Do not operate reversing switch until fan blades have come to a complete stop.

Additional Safety Instructions for Installation

1. To avoid possible shock, be sure electricity is turned off at the fuse box before wiring, and do not operate fan without blades.
2. All wiring must satisfy National and Local Electrical Codes. Use the National Electrical Code if Local Codes do not exist. The ceiling fan must be grounded as a precaution against possible electrical shock. Electrical installation should be made or approved by a licensed electrician.
3. The outlet box and joist must be securely mounted and capable of reliably supporting at least 50 pounds. Use only U.L. outlet boxes listed as acceptable for fan support, and use the mounting screws provided with the outlet box. Most outlet boxes commonly used for support of light fixtures are not acceptable for fan support and may need to be replaced. Consult a qualified electrician if in doubt.
4. The downrod furnished with the fan provides the minimum recommended floor to fan blade clearance for an 8 foot ceiling.
5. The fan must be mounted with the fan blades at least 7 feet from the floor to prevent accidental contact with the fan blades.
6. Follow the recommended instructions for the proper method of wiring your ceiling fan. If you do not know enough about electrical wiring, have your fan installed by a licensed electrician.

WARNING: To avoid fire, shock or injury, do not use an Emerson or any other brand of control not specifically approved for this fan.

WARNING: This product is designed to use only those parts supplied with this product and/or any accessories designated specifically for use with this product by Emerson. Substitution of parts or accessories not designated for use with this product by Emerson could result in personal injury or property damage.

WARNING: To Reduce the risk of personal injury, do not bend the blade flange when installing the blade flanges, balancing the blades or cleaning the fan. Do not insert foreign objects in between rotating fan blades.

This Manual Is Designed to Make it as Easy as Possible for You to Assemble, Install, Operate and Maintain Your Ceiling Fan

Tools Needed for Assembly

One Phillips head screwdriver One stepladder
Five wire connectors (supplied) One wire stripper

<u>Installed Wire Length</u>	<u>Wire Size A.W.G.</u>
Up to 50 ft.	14
50-100 ft.	12

MATERIALS

Wiring outlet box and box connectors must be of type required by the local code. The minimum wire would be a 3-conductor (2-wire with ground) of the following size:

 **WARNING**

Before assembling your ceiling fan, refer to section on proper method of wiring your fan (page 7). If you feel you do not have enough wiring knowledge or experience, have your fan installed by a licensed electrician.

Unpacking Instructions

For your convenience, check-off boxes are provided next to each step. As each step is completed, place a check mark in the box. This will insure that all steps have been completed and will be helpful in finding your place should you be interrupted.

⚠ WARNING

Do not install or use fan if any part is damaged or missing. Call Toll-Free:

1-800-654-3545

⚠ WARNING

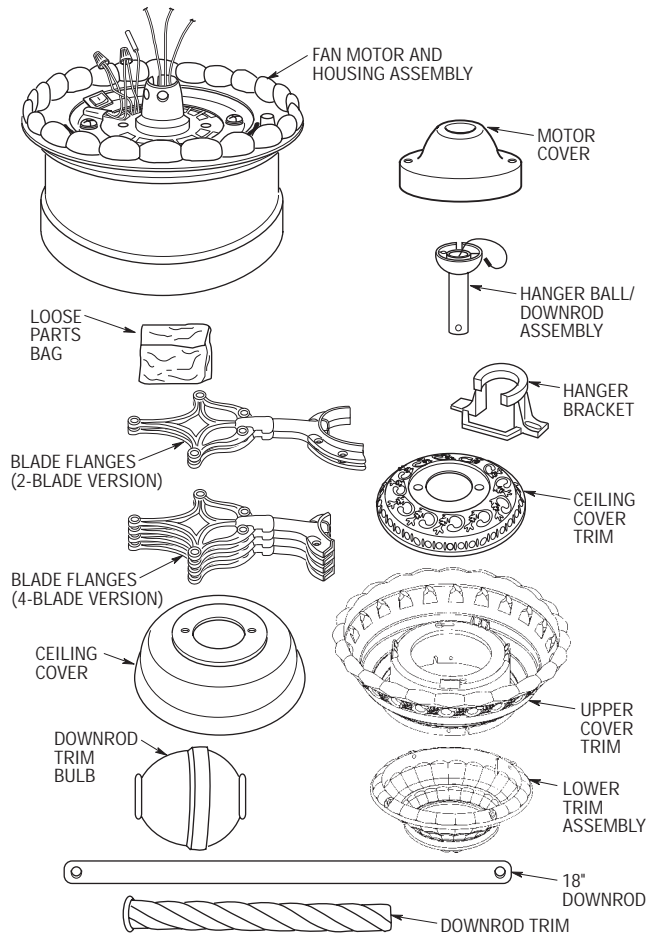
This product is designed to use only those parts supplied with this product and/or any accessories designated specifically for use with this product by Emerson Company. Substitution of parts or accessories not designated for use with this product by Emerson Company could result in personal injury or property damage.

1. Open styrofoam unit containing fan. Remove top half of styrofoam unit. Remove parts and check to see that you have received the following:

- a. Fan motor and housing assembly
- b. One motor cover
- c. One ceiling cover
- d. One ceiling cover trim
- e. Four blade flanges (14°)
- f. Two blade flanges (20°)
- g. One hanger ball/downrod assembly
- h. One 18" downrod
- i. One downrod trim
- j. One decorative bulb
- k. One hanger bracket
- l. One upper cover trim
- m. One lower trim assembly
- n. One loose parts bag containing:
 1. One setscrew
 2. One setscrew wrench
 3. Nine 10-32 x 5/8" oval head screws
 4. Two 1" threaded studs
 5. Two 1-1/4" threaded studs
 6. Four knurled knobs
 7. Four lockwashers
 8. Five wire connectors
 9. Seven 8-32 x 1/2" screws
 10. One pull chain pendant and coupling
 11. One hairpin clip
 12. One clevis pin
 13. Twenty-one 10-32 x 3/8" pan head screws
 14. Twenty-one flat washers

NOTE: Place the parts from the loose parts bags in small containers to keep them from being lost. If any parts are missing, contact your local retailer or catalog outlet for replacement before proceeding.

NOTE: Before discarding packaging material, be certain all parts have been removed.



General Information

Your Cornerstone ceiling fan comes with two sets of blade flanges. One set (consisting of two flanges) allows you to use your fan with two blades, as the original 1895 Ceiling Fan was configured. The other set (consisting of four flanges) allows you to use your fan with four blades. Both sets of flanges, and the fan blades you selected, are patterned after the original 1895 Ceiling Fan. If your ceiling is nine feet or higher, you may use the 18-inch downrod, along with the downrod trim and decorative bulb, to further enhance the 1895 ceiling fan look.

Assembly Instructions

1. Remove the fan motor and housing assembly from styrofoam packaging and position it so that the top of the motor is facing you.
2. Remove the hanger ball from the downrod by loosening the setscrew in the hanger ball until the ball falls freely down the downrod (Figure 1). Remove the pin from the downrod, then remove the hanger ball. Retain the pin and hanger ball for reinstallation in step 9.

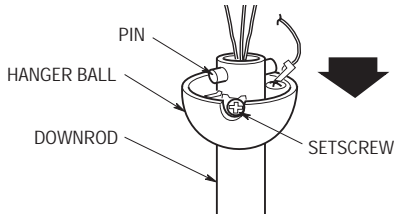


Figure 1

3. Separate, untwist and unkink the three motor leads. Route the motor leads through the downrod and seat the downrod in the motor coupling (Figure 2).

NOTE: If your ceiling height is nine feet or higher, you may use the 18-inch downrod, along with the downrod trim and decorative bulb. If your ceiling height is between eight and nine feet, you must use the shorter 4-1/2" downrod.

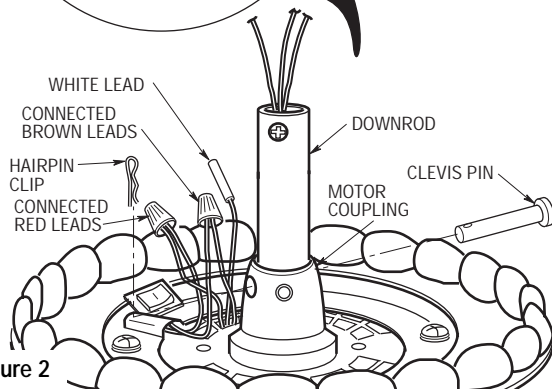
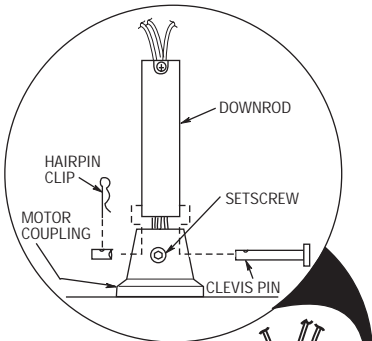


Figure 2

4. Align the clevis pin holes in the downrod with the holes in the motor coupling. Install the clevis pin and secure with the hairpin clip (Figure 3). (Pin and clip are supplied in loose parts bag.) The clevis pin must go through the holes in the motor coupling and the holes in the downrod. Push the straight leg of the hairpin clip through the hole near the end of the clevis pin until the curved portion of the hairpin clip snaps around the clevis pin. The hairpin clip must be properly installed to prevent the clevis pin from working loose. Pull up on the downrod to make sure the clevis pin is properly installed.

▲ WARNING

It is critical that the clevis pin in the motor coupling is properly installed and the setscrew securely tightened. Failure to verify that the pin and setscrew are properly installed (as shown in Figure 3) could result in the fan falling.

5. Install the setscrew (supplied) in the motor coupling (Figure 3). While pulling up on the downrod, tighten the setscrew using the setscrew wrench (supplied).

NOTE: The setscrew must be properly installed as described above, or fan wobble could result.

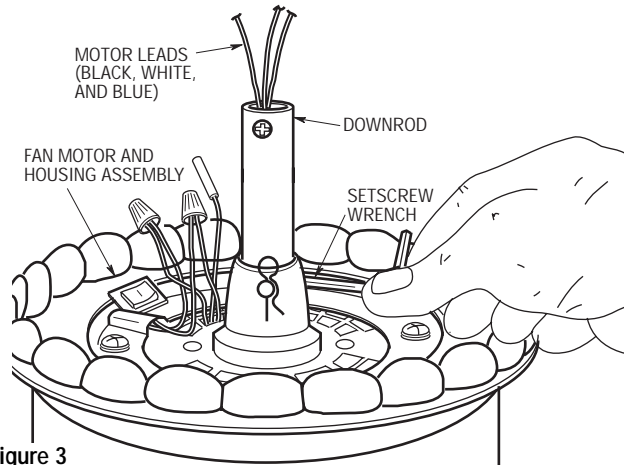


Figure 3

6. Screw two 1" threaded studs (supplied) into the motor (Figure 4). Leave approximately 7/8" of the stud extending above the motor. Slide the motor cover over the downrod and rotate the cover until the threaded studs protrude; install two lockwashers and knurled knobs (supplied) to secure the cover.

NOTE: Make sure the connected red leads, the connected brown leads, and the white lead are completely inside the motor cover and not pinched between the motor cover and the motor.

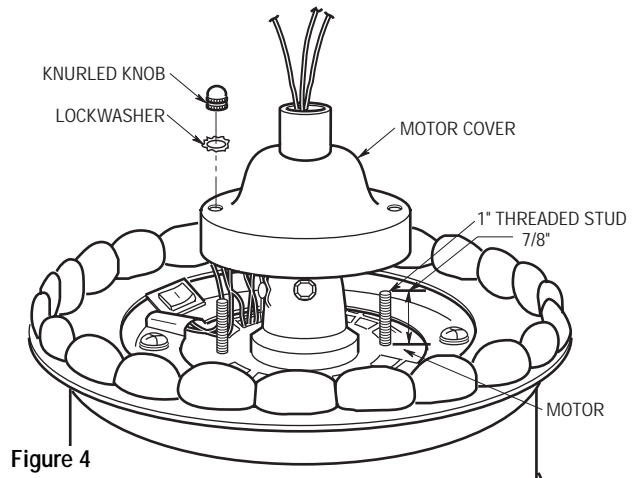


Figure 4

- 7. If you have installed the 18" downrod, install the downrod trim and decorative bulb as follows (Figure 5). Slide the decorative trim (grommet-end first) over the downrod and seat the grommet firmly against the motor cover. Then slide the decorative bulb (oriented as shown) over the downrod, being certain that the downrod trim seats in the bottom grommet of the decorative bulb.

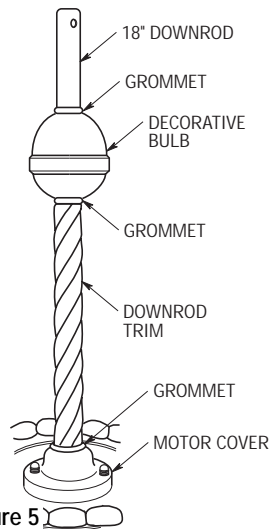


Figure 5

- 8. Position the ceiling cover trim and the ceiling cover over the downrod. Be sure the cover is oriented correctly, with the large opening at the top (Figure 5).
- 9. Reinstall the hanger ball on the downrod (Figure 6) as follows. Route the motor leads through the hanger ball and slide the hanger ball over the downrod. Install the pin through the holes at top of the downrod and slide the hanger ball up the downrod, aligning the ball so the pin is captured in the groove in the top of the hanger ball. Pull the hanger ball up tight against the pin and securely tighten the setscrew in the hanger ball. A loose setscrew could create fan wobble.

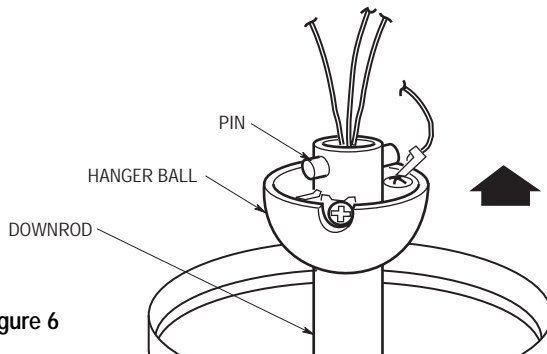


Figure 6

- 10. The fan comes with blue, black and white leads that are 80" long. Before installing fan, measure up approximately 6 to 9-inches above the ball/downrod assembly. Cut off excess leads and strip back insulation 1/2-inch from end of leads.
- 11. Use five 10-32 x 3/8" pan head screws and flat washers (supplied) to secure the flange to the blade (Figure 7). Repeat for the remaining blade(s).

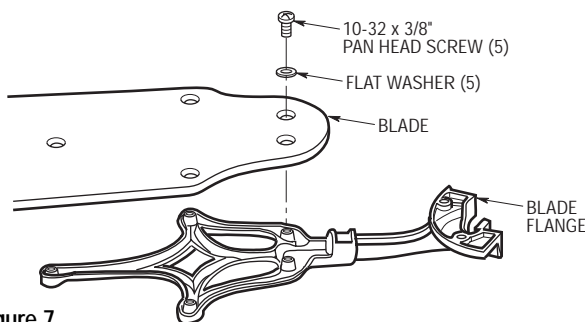


Figure 7

- 12. Use the holes in the square recesses in the motor hub marked with "4" and install the blade assemblies in accordance with Steps 13 or 14.
- 13. **FOUR-BLADE VERSION.** Attach one blade assembly to the motor hub using two 10-32 x 5/8" oval head screws (supplied) (Figure 8). Do not tighten completely at this time. Install remaining blade assemblies in the same way. Gently snug all flange screws to the motor hub, working around the hub in a clockwise sequence. Next, securely tighten all flange screws, again working in a clockwise sequence. Failure to follow this procedure could result in fan wobble.

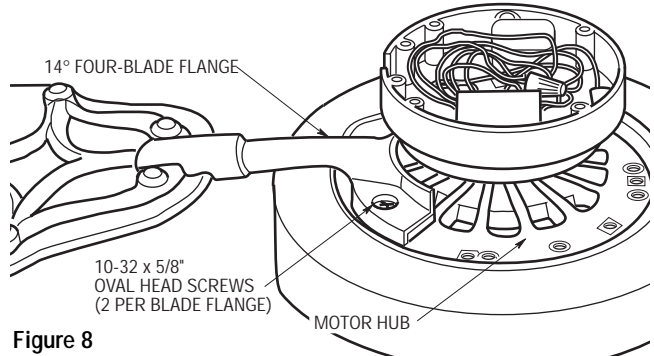


Figure 8

- 14. **TWO-BLADE VERSION.** Attach one blade assembly to the motor hub using four 10-32 x 5/8" oval head screws (supplied) (Figure 9). Install the other blade assembly in the same manner. Gently snug all flange screws to the motor hub. Make sure the ends of the flanges are engaged, then securely tighten all flange screws, working in a clockwise sequence.

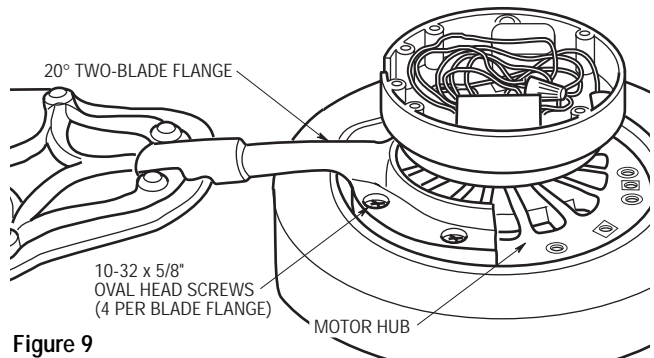


Figure 9

⚠ WARNING

To reduce the risk of personal injury, do not bend the blade flanges when installing the flanges, balancing the blades or cleaning the fan. Do not insert foreign objects between rotating fan blades.

- 15. Turn fan assembly over so the bottom is oriented up. Partially install two 8-32 x 1/2" screws (supplied) in the switch housing assembly (Figure 10). Slip the speed control switch chain through the hole in the upper cover trim, then position the cover trim on the switch housing assembly so that the two screws protrude through the key hole slots in the cover trim. Turn the cover trim fully clockwise and then securely tighten the two 8-32 x 1/2" screws.

How to Hang Your Ceiling Fan

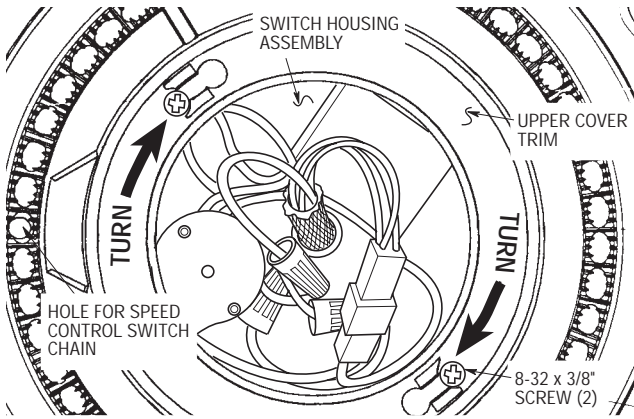


Figure 10 LOOKING UP INTO SWITCH HOUSING ASSEMBLY

- 16. Position the lower trim assembly on the upper cover trim so that the tabs on the lower trim assembly slide into the slots in the upper cover trim (Figure 11). Then securely install four 8-32 x 1/2" screws (supplied).

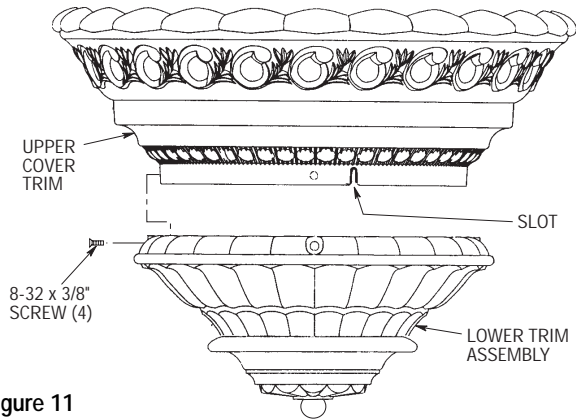


Figure 11

Electrical Requirements

Your new ceiling fan will require a grounded electrical supply line of 120 volts AC, 60 Hz, 15 amp circuit.

The outlet box must be securely anchored and capable of withstanding a load of at least 50 pounds.

⚠ WARNING

To reduce the risk of fire, electric shock, or personal injury, mount fan to outlet box marked acceptable for fan support, and use screws supplied with outlet box. Most outlet boxes commonly used for support of light fixtures are not acceptable for fan support and may need to be replaced. Consult a qualified electrician if in doubt.

If your fan is to replace an existing ceiling light fixture, turn electricity off at the main fuse box at this time and remove the existing light fixture.

⚠ WARNING

Turning off wall switch is not sufficient. To avoid possible electrical shock, be sure electricity is turned off at the main fuse box before wiring. All wiring must be in accordance with national and local codes and the ceiling fan must be properly grounded as a precaution against possible electrical shock.

⚠ WARNING

The fan must be hung with at least 7' of clearance from floor to blades (Figure 12).

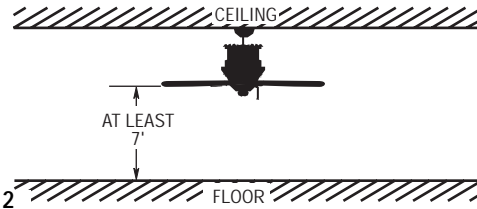


Figure 12

⚠ WARNING

The outlet box must be securely anchored and capable of withstanding a load of at least 50 lbs.

⚠ WARNING

To reduce the risk of fire, electric shock, or personal injury, mount fan to outlet box marked acceptable for fan support, and use screws supplied with outlet box. Most outlet boxes commonly used for support of light fixtures are not acceptable for fan support and may need to be replaced. Consult a qualified electrician if in doubt.

- 1. Securely attach the hanger bracket to the outlet box using the two screws supplied with the outlet box. (Figure 13).

⚠ WARNING

Hanger bracket must seat firmly against outlet box. If the outlet box is recessed, remove wall board until bracket contacts box. If bracket and/or outlet box are not securely attached, the fan could wobble or fall.

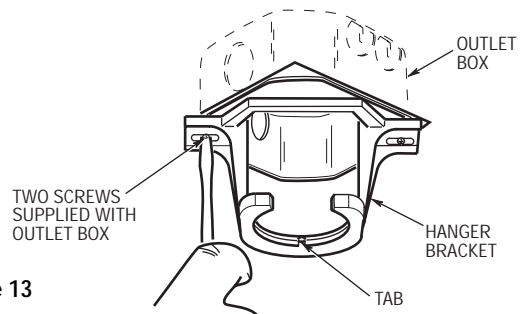


Figure 13

- 2. Carefully lift the fan and seat the hanger ball/downrod assembly on the hanger bracket that was just attached to the outlet box (Figure 14). Be sure the groove in the ball is lined up with tab on the hanger bracket (Figure 13).

⚠ WARNING

Failure to seat tab in groove could cause damage to electrical wires and possible shock or fire hazard.

NOTE: CEILING COVER, SUPPLY WIRES AND FAN WIRES OMITTED FOR CLARITY.

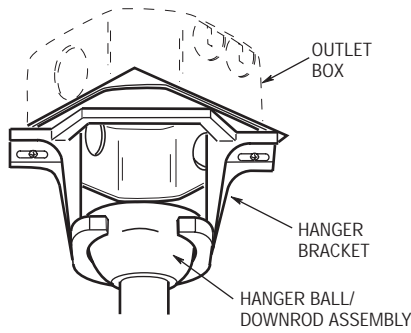


Figure 14

⚠ WARNING

To avoid possible fire or shock, do not pinch wires between the hanger ball/downrod assembly and the hanger bracket.

How to Wire Your Ceiling Fan

If you feel that you do not have enough electrical wiring knowledge or experience, have your fan installed by a licensed electrician.

1. Connect the green grounding lead from the hanger ball and the green grounding lead from the hanger bracket to the grounding conductor of supply (this may be a bare wire or wire with green colored insulation) (Figure 15). Securely connect wires with wire connector supplied.

⚠ WARNING

To avoid possible electrical shock, be sure electricity is turned off at the main fuse box before wiring.
NOTE: If you are not sure if the outlet box is grounded, contact a licensed electrician for advice, as it must be grounded for safe operation.

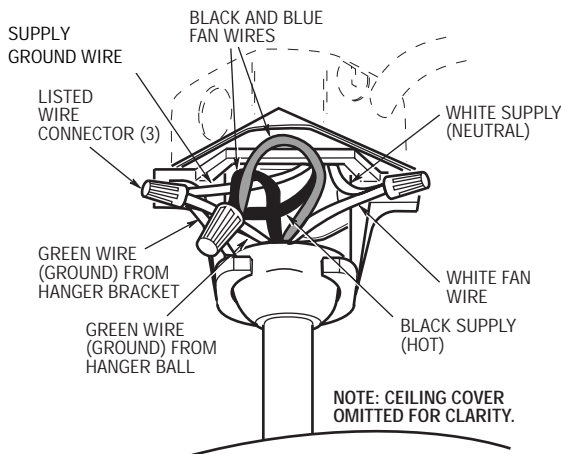


Figure 15

NOTE: If you are using an Emerson Light Fixture with your fan, see Light Fixture Owner's Manual for wiring.

2. Securely connect the fan motor white wire to the supply white (neutral) wire using wire connector supplied (Figure 15). Securely connect the fan motor black wire and blue wire to the supply black (hot) wire using wire connector supplied (Figure 16). After connections have been made, turn leads upward and carefully push leads into the outlet box, with the white and green leads on one side of the outlet box and the black and blue leads on the other side of the outlet box.

⚠ WARNING

Check to see that all connections are tight, including ground, and that no bare wire is visible at the wire connectors, except for the ground wire. Do not operate fan until blades are in place. Noise and fan damage could result.

3. Screw the two 1-1/4" threaded studs (supplied) into the tapped holes in the hanger bracket (Figure 16).
4. Lift the ceiling cover and the ceiling cover trim up to the threaded studs and turn until studs protrude through the holes in the ceiling cover and trim (Figure 16).
5. Secure the ceiling cover and trim in place by sliding lockwashers (supplied) over the threaded studs and installing the two knurled knobs (supplied) (Figure 16). Tighten the knurled knobs securely until the ceiling cover fits snugly against the ceiling and the hole in the ceiling cover is clear of the downrod. Your fan is now wired to be turned on and off from the fan switch.

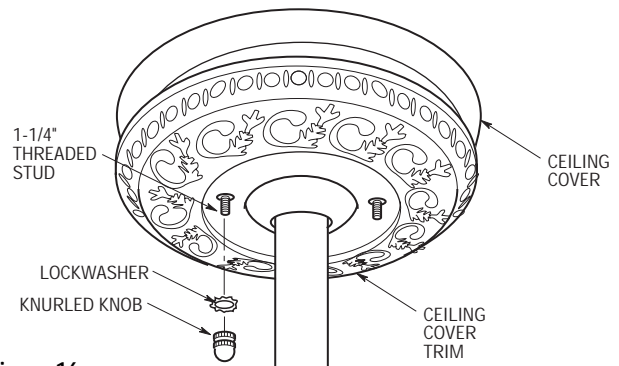


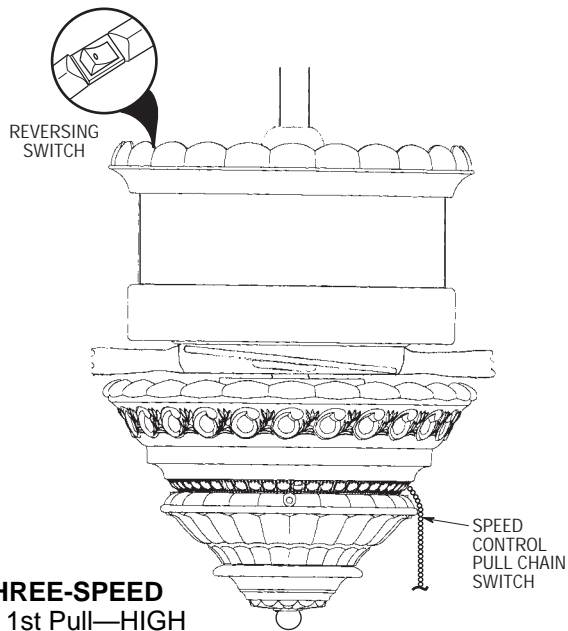
Figure 16

⚠ WARNING

To avoid possible fire or shock, make sure that the electrical wires are completely inside the outlet box and not pinched between the ceiling cover and the ceiling.

Using Your Ceiling Fan

1. Restore electrical power to the outlet box by turning the electricity on at the main fuse box.
2. Check the operation of the fan by gently pulling on the 4-position speed control pull chain switch (Figure 17). The operating sequence is as follows:



THREE-SPEED
 1st Pull—HIGH
 2nd Pull—Medium
 3rd Pull—Low
 4th Pull—OFF

Figure 17

3. If airflow is desired in opposite direction, turn your fan off and wait for the blades to stop turning, then press the rocker switch located on top of the motor housing, and turn the fan on again. The fan blades will turn in the opposite direction and reverse airflow.

Attaching Light Kit

To install an accessory light kit, first unscrew the finial and remove the lower trim (Figure 18). Then remove the center trim by removing four 8-32 x 1/2" screws. Remove the threaded nipple from the center trim and install the light kit in accordance with the light kit Owner's Manual.

⚠ WARNING

To avoid possible electrical shock, be sure electricity is turned off at the main fuse box before wiring.

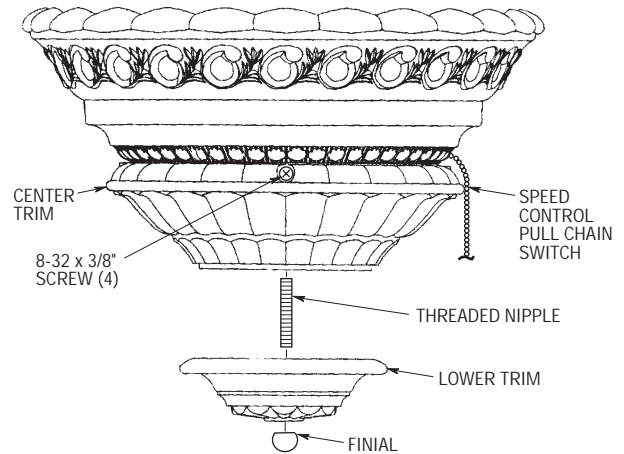


Figure 18

Maintenance

IMPORTANT CARE INSTRUCTIONS for your Ceiling Fan

Periodic cleaning of your new ceiling fan is the only maintenance that is needed.

When cleaning, use only a soft brush or lint free cloth to avoid scratching the finish.

Abrasive cleaning agents are not required and should be avoided to prevent damage to finish.

WARNING

Do not use water when cleaning your ceiling fan. It could damage the motor or the blades and create the possibility of an electrical shock.

Accessories

1. Ceiling Fan Light Kits (see store or catalog).
2. Downrod Extension Kits (see store or catalog).
3. Ceiling Fan Controls (see store or catalog).

WARNING



The use of any other control not specifically approved for this fan could result in fire, shock and personal injury.

WARNING

This product is designed to use only those parts supplied with this product and/or any accessories designated specifically for use with this product by Emerson. Substitution of parts or accessories not designated for use with this product by Emerson could result in personal injury or property damage.

 WARNING: FOR YOUR OWN SAFETY TURN OFF POWER AT FUSE BOX OR CIRCUIT BREAKER BEFORE TROUBLE SHOOTING YOUR FAN.

Trouble Shooting

TROUBLE	PROBABLE CAUSE	SUGGESTED REMEDY
1. Fan will not start.	<ol style="list-style-type: none"> 1. Fuse or circuit breaker blown. 2. Loose power line connections to the fan, or loose switch wire connections in the switch housing. 	<ol style="list-style-type: none"> 1. Check main and branch circuit fuses or circuit breakers.  WARNING: Make sure main power is turned off. 2. Check line wire connections to fan and switch wire connections in the switch housing.
2. Fan sounds noisy.	<ol style="list-style-type: none"> 1. Blades not attached to fan. 2. Loose screws in motor housing. 3. Screws securing fan blade flanges to motor hub are loose. 4. Wire connectors inside switch housing rattling. 5. Screws holding blades to flanges are loose. 	<ol style="list-style-type: none"> 1. Attach blades to fan before operating. 2. Check to make sure all screws in motor housing are snug (not over-tight). 3. Check to make sure the screws which attach the fan flanges to the motor hub are tight.  WARNING: Make sure main power is turned off. 4. Check to make sure wire connectors in switch housing are not rattling against each other or against the interior wall of the switch housing. 5. Tighten screws securely.
3. Fan wobbles excessively.	<ol style="list-style-type: none"> 1. Setscrew in motor coupling is loose. 2. Setscrew in hanger ball/downrod assembly is loose. 3. Screws securing fan blade flanges to motor hub are loose. 4. Fan blade flanges not seated properly. 5. Hanger bracket and/or ceiling outlet box is not securely fastened. 6. Fan blades out of balance. 	<ol style="list-style-type: none"> 1. Raise motor cover and tighten setscrew securely. 2. Tighten the setscrew in the hanger ball/downrod assembly. 3. Check to be sure screws which attach the fan blade flanges to the motor hub are tight. 4. Check to be sure the fan blade flanges seat firmly and uniformly to the surface of the motor hub. If flanges are seated incorrectly, loosen the flange screws and retighten according to step 13 in the section "Assembly Instructions". 5. Tighten the hanger bracket screws to the outlet box, and/or secure outlet box. 6. Interchanging an adjacent (side-by-side) blade pair can redistribute the weight and result in smoother operation. Or use supplied balancing kit to balance blades.

Repair Parts

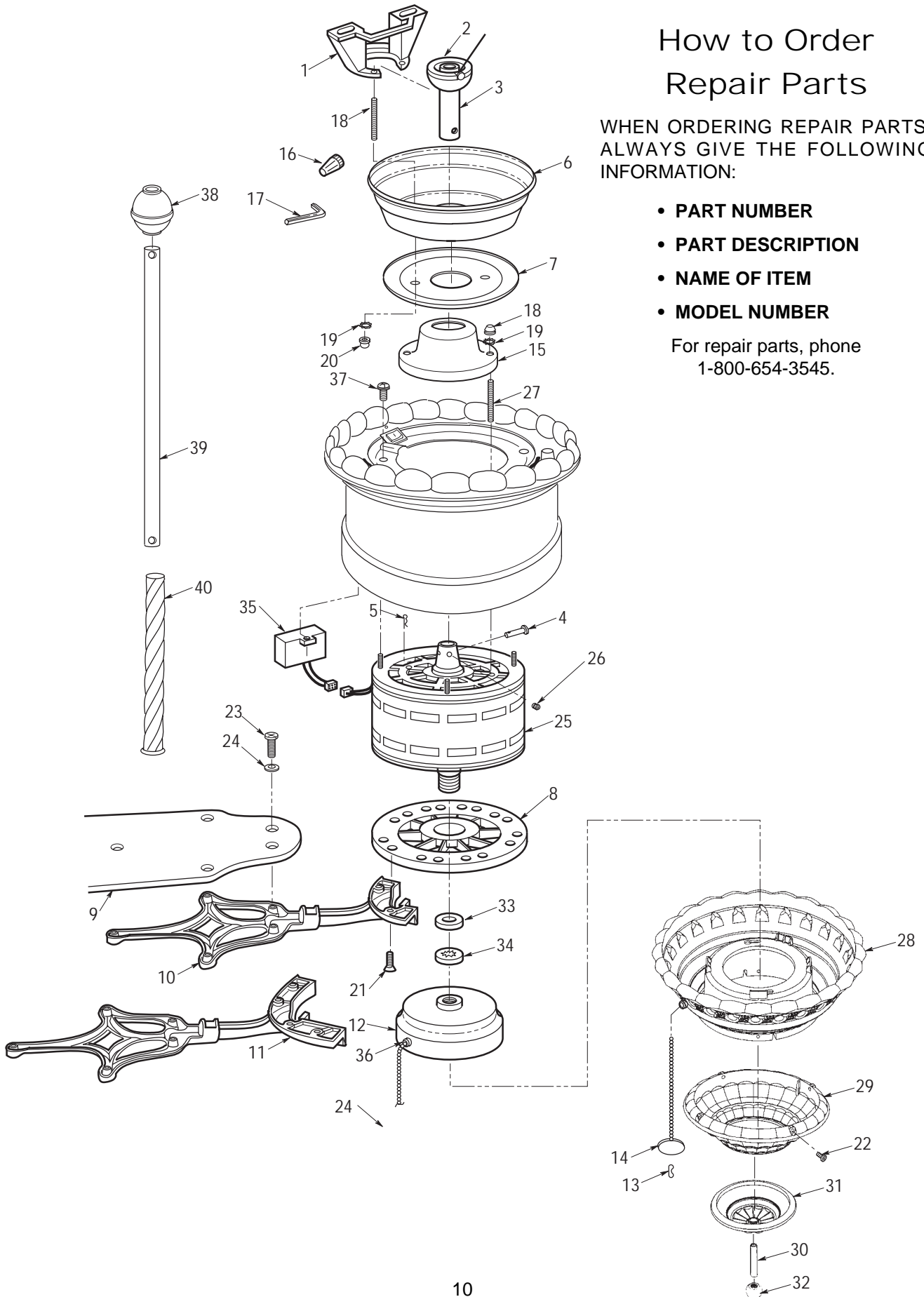
Before discarding packaging material, be certain all parts have been removed.

How to Order Repair Parts

WHEN ORDERING REPAIR PARTS, ALWAYS GIVE THE FOLLOWING INFORMATION:

- PART NUMBER
- PART DESCRIPTION
- NAME OF ITEM
- MODEL NUMBER

For repair parts, phone
1-800-654-3545.



Repair Parts Listing

Key No.	Description	Part Numbers		
		Model No. CF1AB01	Model No. CF1WB01	Model No. CF1PW01
—	Hanger Pack, Containing:	761655-3	761655-20	761655-22
1	Bracket, Hanger (1)	—	—	—
2	Hanger Ball Assembly (1)	—	—	—
3	Downrod (1)	—	—	—
6	Ceiling Canopy	761620-3	761620-26	761620-30
7	Trim, Ceiling Cover	762077	762077-1	762077-2
8	Hub, Rubber	760601	760601	760601
9	Blade Assembly (Sold Separately)	—	—	—
10	Flange Set (Full set for four blades)	762108	762108-1	762108-2
11	Flange Set (Full set for two blades)	762109	762109-1	762109-2
12	Switch Cup	761449	761449-20	761449-22
15	Cover, Motor	761621-3	761621-17	761621-21
25	Motor	762304	762304	762304
	Parts Bag Containing:	762147	762147	762147
4	Pin, Clevis (1)	—	—	—
5	Clip, Hairpin (1)	—	—	—
13	Coupling (1)	—	—	—
14	Pendant (1)	—	—	—
16	Wire Connector (5)	—	—	—
17	Wrench, Setscrew (1)	—	—	—
18	Stud, Threaded 1-1/4" (2)	—	—	—
19	Lockwasher (2)	—	—	—
20	Knob, Knurled (4)	—	—	—
21	Screw, 10-32 x 5/8" (11)	—	—	—
22	Screw, 8-32 x 1/2" (7)	—	—	—
23	Screw, 10-32 x 3/8" (21)	—	—	—
24	Washer, Flat (21)	—	—	—
26	Setscrew (1)	—	—	—
27	Stud, Threaded, 1" (2)	—	—	—
28	Trim, Upper Cover	762084	762084-1	762084-2
29	Trim, Center	762085	762085-1	762085-2
30	Nipple, Threaded	760939-1	760939-1	760939-1
31	Trim, Lower	762086	762086-1	762086-2
32	Finial	762163	762163-1	762163-2
33	Washer, 9/16"	—	—	—
34	Lockwasher, 9/16"	—	—	—
35	Aux. Capacitor	761453	761453	761453
36	Harness, Wiring	762090	762090	762090
37	Screw, #8 Washerhead, 8-32 x 3/8" (4)	—	—	—
38	Bulb, Decorative	762144	762144-1	762144-2
39	Downrod, 18"	760239-40	760239-46	760239-161
40	Trim, Downrod	762143	762143-1	762143-2
—	Owner's Manual	BP7250-2	BP7250-2	BP7250-2

LIMITED WARRANTY

What The Warranty Covers:

This warranty covers the motor and the other components and accessories of your Emerson ceiling fan against all defects in workmanship and materials. You must be the original purchaser or user of the product to be covered.

What The Period Of Coverage Is:

As it applies to the motor, this warranty will last for the lifetime of your ceiling fan. All other components and accessories are covered by this warranty for one year from the date you purchased your ceiling fan. ANY IMPLIED WARRANTY OF MERCHANTABILITY OR FITNESS FOR A PARTICULAR PURPOSE, MADE WITH RESPECT TO COMPONENTS AND ACCESSORIES IS ALSO LIMITED TO ONE YEAR.

What Will Emerson Company Do To Correct Problems:

Emerson will replace a defective Emerson Air Comfort Ceiling Fan motor, blade, component or other accessory at no charge to you. If repair of the motor or blades is not practical or possible within a reasonable time and no replacement can be provided, Emerson will refund the actual purchase price of your fan. **WE WILL SHIP THE REPAIRED PRODUCT OR REPLACEMENT TO YOU AT NO CHARGE, BUT YOU ARE RESPONSIBLE FOR ALL COSTS OR REMOVAL, REINSTALLATION AND SHIPPING OF THE PRODUCT TO EMERSON.**

How Can You Get Service:

YOU MUST HAVE PROOF OF YOUR PURCHASE OF THE CEILING FAN TO OBTAIN LIMITED WARRANTY SERVICE. KEEP YOUR RECEIPT OR OTHER PROOF OF PURCHASE. You can return the product to our factory or to your nearest authorized service center.

- To return the product to the factory, obtain a return authorization and service identification tag by writing to Air Comfort Products, Division of Emerson Company, 8100 W. Florissant Ave., St. Louis, MO 63136. Include all model numbers shown on the product with your request.
- To return the product to an authorized service center, call 1-800-654-3545 for the address of the nearest authorized service center.

You will be responsible for all insurance, freight or other transportation charges to our factory or authorized service center. Your Emerson Air Comfort Ceiling Fan should be properly packed to avoid damage in transit since we will not be responsible for any such damage.

What Is Not Covered:

The glass globes and light bulbs of your ceiling fan are not covered by this warranty. This warranty also does not cover any defects, malfunctions or failures caused by:

- Repairs by persons not authorized by Emerson Company,
- Use of parts or accessories not authorized by Emerson Company,
- Mishandling, improper installation, modifications or damage to your ceiling fan while in your possession, or
- Unreasonable use, misuse, abuse, including failing to do reasonable and necessary maintenance, and normal wear and tear.

Additionally, this warranty and any implied warranty of merchantability or fitness for a particular purpose are voided when:

- The original purchaser or user ceases to own the product, or
- The fan is moved from its original point of installation.

This warranty is only valid within the 50 states of the United States and the District of Columbia. No other written or oral warranties apply, and no employee, agent, dealer or other person is authorized to give any warranties on behalf of Emerson Company.

REPAIR, REPLACEMENT OR A REFUND ARE THE EXCLUSIVE REMEDIES AVAILABLE UNDER THIS WARRANTY AND EMERSON IS NOT RESPONSIBLE FOR DAMAGES OF ANY KIND, INCLUDING INCIDENTAL AND CONSEQUENTIAL DAMAGES. Incidental damages include but are not limited to such damages as loss of time and loss of use. Consequential damages include but are not limited to the cost of repairing or replacing other property which was damaged if this product does not work properly.

How State Law Relates To The Warranty:

Some states do not allow the exclusion or limitation of incidental or consequential damages so the above exclusion or limitation may not apply to you. This warranty gives you specific legal rights, and you may also have other rights which vary from state to state.



EMERSON

Air Comfort Products

DIVISION OF EMERSON COMPANY
8100 W. Florissant • St. Louis, MO 63136