



**User Manual for the
*HE800DNT450***

DeviceNet Master (Scanner)

**First Edition
19 April 2002**

SUP0462-01

PREFACE

This manual explains how to use the Horner APG's DeviceNet Master (Scanner).

Copyright (C) 2002 Horner APG, LLC., 640 North Sherman Drive, Indianapolis, Indiana 46201. All rights reserved. No part of this publication may be reproduced, transmitted, transcribed, stored in a retrieval system, or translated into any language or computer language, in any form by any means, electronic, mechanical, magnetic, optical, chemical, manual or otherwise, without the prior agreement and written permission of Horner APG, LLC.

All software described in this document or media is also copyrighted material subject to the terms and conditions of the Horner Software License Agreement.

Information in this document is subject to change without notice and does not represent a commitment on the part of Horner APG, LLC.

DeviceNet is a trademark of Open DeviceNet Vendors Association (ODVA).
Windows and Windows-95 are trademarks of Microsoft Corporation
SmartStack, Cscape, and CsCAN are trademarks of Horner APG, LLC.

For user manual updates, contact Horner APG, Technical Support Division, at (317) 916-4274 or visit our website at www.heapg.com.

LIMITED WARRANTY AND LIMITATION OF LIABILITY

Horner APG, LLC. ("HE") warrants to the original purchaser that the DeviceNet Master (Scanner) manufactured by HE is free from defects in material and workmanship under normal use and service. The obligation of HE under this warranty shall be limited to the repair or exchange of any part or parts which may prove defective under normal use and service within two (2) years from the date of manufacture or eighteen (18) months from the date of installation by the original purchaser whichever occurs first, such defect to be disclosed to the satisfaction of HE after examination by HE of the allegedly defective part or parts. THIS WARRANTY IS EXPRESSLY IN LIEU OF ALL OTHER WARRANTIES EXPRESSED OR IMPLIED INCLUDING THE WARRANTIES OF MERCHANTABILITY AND FITNESS FOR USE AND OF ALL OTHER OBLIGATIONS OR LIABILITIES AND HE NEITHER ASSUMES, NOR AUTHORIZES ANY OTHER PERSON TO ASSUME FOR HE, ANY OTHER LIABILITY IN CONNECTION WITH THE SALE OF THIS DEVICENET MASTER (SCANNER). THIS WARRANTY SHALL NOT APPLY TO THIS DEVICENET MASTER (SCANNER) OR ANY PART THEREOF WHICH HAS BEEN SUBJECT TO ACCIDENT, NEGLIGENCE, ALTERATION, ABUSE, OR MISUSE. HE MAKES NO WARRANTY WHATSOEVER IN RESPECT TO ACCESSORIES OR PARTS NOT SUPPLIED BY HE. THE TERM "ORIGINAL PURCHASER", AS USED IN THIS WARRANTY, SHALL BE DEEMED TO MEAN THAT PERSON FOR WHOM THE DEVICENET MASTER (SCANNER) IS ORIGINALLY INSTALLED. THIS WARRANTY SHALL APPLY ONLY WITHIN THE BOUNDARIES OF THE CONTINENTAL UNITED STATES.

In no event, whether as a result of breach of contract, warranty, tort (including negligence) or otherwise, shall HE or its suppliers be liable of any special, consequential, incidental or penal damages including, but not limited to, loss of profit or revenues, loss of use of the products or any associated equipment, damage to associated equipment, cost of capital, cost of substitute products, facilities, services or replacement power, down time costs, or claims of original purchaser's customers for such damages.

To obtain warranty service, return the product to your distributor with a description of the problem, proof of purchase, post paid, insured and in a suitable package.

ABOUT PROGRAMMING EXAMPLES

Any example programs and program segments in this manual or provided on accompanying diskettes are included solely for illustrative purposes. Due to the many variables and requirements associated with any particular installation, Horner APG cannot assume responsibility or liability for actual use based on the examples and diagrams. It is the sole responsibility of the system designer utilizing the DeviceNet Master (Scanner) to appropriately design the end system, to appropriately integrate the DeviceNet Master (Scanner) and to make safety provisions for the end equipment as is usual and customary in industrial applications as defined in any codes or standards which apply. It assumed that the system designer is familiar with PLC programming and configuration.

Note: The programming examples shown in this manual are for illustrative purposes only. Proper machine operation is the sole responsibility of the system integrator.

TABLE OF CONTENTS

PREFACE	3
LIMITED WARRANTY AND LIMITATION OF LIABILITY	4
ABOUT PROGRAMMING EXAMPLES	4
TABLE OF CONTENTS	5
CHAPTER 1: INTRODUCTION	7
1.1 Overview	7
1.2 DNT450 Features	7
1.3 Technical Specifications	8
CHAPTER 2: INSTALLATION	9
2.1 Installing and Removing a SmartStack Module (Shown with the OCS)	9
2.2 Connectors	10
2.2.1 DeviceNet I/O Connector (CAN A)	10
2.3 LED Indicators	11
CHAPTER 3: DEVICENET NODE, DNT450 & PLC RELATIONSHIPS	13
3.1 General	13
3.2 Module to PLC Register Mapping	13
3.3 Node to PLC Register Mapping	13
3.4 Message Packets and Fragmentation	13
3.5 Physical Limitations	13
3.6 Data Assemblies	14
3.7 DNT450 Configuration Introduction	15
3.8 DeviceNet Node Priority and Implications	17
3.9 Fault Table	17
CHAPTER 4: DNT450 REGISTER REQUIREMENTS	21
CHAPTER 5: EXPLICIT MESSAGING USING DNT450	25
5.1 General	25
5.2 Building Explicit Messages	25
5.3 How to Interpret Explicit Response Messages	26
5.4 Explicit Message Errors	27
CHAPTER 6: CONFIGURATION	29
6.1 General	29
6.2 Configuration	29
6.2.1 Select the Module to be Configured	29
6.2.2 Configure the Module	30
6.2.3 Creating the network configuration	32
CHAPTER 7: DEVELOPING USER SOFTWARE	35
7.1 Software Support for the Polled Connection	35
APPENDIX A: DNT450 NETWORK OPERATION	37
A.1 Sequence of Events	37
A.2 Establishing a Connection	37
A.3 Send a Polled Message	37
A.4 Explicit NOPs	37
APPENDIX B: DEVICENET TIMING	39
B.1 Message Packet Timing	39
B.2 Network Scan Time versus PLC Scan Time	39
APPENDIX C: DEVICENET ERROR CODES	41
INDEX	43

CHAPTER 1: INTRODUCTION

1.1 Overview

The DeviceNet Scanner (HE800DNT450) is an intelligent communications interface module. The DNT450 allows an Operator Control Station (OCS) to supervise a DeviceNet network.

Up to 63 slave devices can be connected via DeviceNet to the DNT450. Depending on baud rate and the cable type used, the DeviceNet slave nodes can be located up to 1,500 feet (457.2 meters) from the PLC.

DNT450 Polled data is mapped directly into the PLC's %I, %Q, %AI and %AQ registers. The ladder programmer can treat the DNT450 and its attached DeviceNet nodes as a large I/O module. Polled data is transferred between the PLCs registers and the DeviceNet slave nodes without any user or ladder code intervention.

The DeviceNet specification provides two methods of establishing communications between a scanner and its nodes. The first method makes use of the "Unconnected Message Manager" (UCMM) and the second is known as "Group 2 Only". "Group 2 Only" is the simplest. Because of its simplicity, many slave devices only support the "Group 2 Only" method. The DNT450 allows both of these methods to be used simultaneously. Any single DeviceNet slave device can be either a Group 2 Only node or a UCMM node, never both. A DeviceNet network can be made up of a mixture of "Group 2 Only" and UCMM" slave devices.

1.2 DNT450 Features

The DNT450 supports the following DeviceNet features:

- Baud Rates: 125K, 250K, and 500K,
- UCMM protocol (Log on),
- Group 2 Only protocol,
- The Polled Connection,
- Ladder Initiated Explicit Messaging (LIEM),
- Fragmentation on both polled and explicit connections,
- All four Message Body Formats under UCMM.

When using Polled Messaging, data is read from the PLC's %Q and %AQ registers by the DNT450, formatted into DeviceNet packets and sent to the DeviceNet nodes. As data produced by the DeviceNet nodes is received by the DNT450, it is converted into PLC register notation and stored in the PLC's %I and %AI registers. This happens automatically without the need for block move or other ladder program intervention.

1.3 Technical Specifications

Table 1.1 - DNT450 Specifications			
DeviceNet Network Specifications			
Parameter	Minimum	Maximum	Units
DeviceNet Power Voltage	11	25	V
DeviceNet Power Load		65	mA
DeviceNet Signal Baud Rate	125	500	KHz
DeviceNet Signal Driver Fanout	0	63	Devices
PLC Power Load Specifications			
Parameter	Minimum	Maximum	Units
+5Vdc (LOGIC)	0	175	mA
+24Vdc (RELAY)	0	0	mA
+24Vdc (ISOLATED)	0	0	mA
Environmental Specifications			
Parameter	Minimum	Maximum	Units
Operating Temperature	0	+60	Deg C
Storage Temperature	-40	+85	Deg C
Humidity (non-condensing)	5	95	% RH
Cable Specifications			
Description	Belden #		
DeviceNet "Thick" Cable	3082A		
One twisted pair for signal, 18 gauge, separately foil shielded. One twisted pair for power, 15 gauge, separately foil shielded. Overall foil/braid shield with 18 gauge drain. 8 Amps maximum power.			
Description	Belden #		
DeviceNet "Thin" Cable	3084A		
One twisted pair for signal, 24 gauge, separately foil shielded. One twisted pair for power, 22 gauge, separately foil shielded. Overall foil/braid shield with 22 gauge drain. 3 amps maximum power.			
DeviceNet Cable Length vs Network Baud Rate			
DeviceNet Baud Rate	Maximum Cable Distance		
	Thick Cable	Thin Cable	
125KHz	1640 Feet	328 Feet	
250KHz	820 Feet	328 Feet	
500kHz	328 Feet	328 Feet	
DeviceNet Baud Rate	Maximum Drop Distance		
	Per Drop	Cumulative	
125KHz	20 Feet	512 Feet	
250KHz	20 Feet	256 Feet	
500kHz	20 Feet	128 Feet	
These specifications are subject to change without notice.			
General Specifications			
Required Power (Steady State)	To be Determined	Operating Temperature	0° to 60° Celsius
Required Power (Inrush)	To be Determined	Terminal Type	Spring Clamp, Removable
Relative Humidity	5 to 95% Non-condensing	Weight	9.5 oz. (270 g)
These specifications are subject to change without notice.			

See ODVA DeviceNet Specification, Volume 1, Section 9.3 for complete DeviceNet cabling specifications.

CHAPTER 2: INSTALLATION

2.1 Installing and Removing a SmartStack Module (Shown with the OCS)

The following section describes how to install and remove a SmartStack Module.

Caution: To function properly and avoid possible damage, do not install more than four Smart Stack™ Modules per OCS or RCS.

a. Installing SmartStack Modules

1. Hook the tabs. Each SmartStack Module has two tabs that fit into slots located on the OCS. (The slots on the OCS are located on the back cover.)
2. Press the SmartStack Module into the “locked” position, making sure to align the SmartStack Module fasteners with the SmartStack receptacles on the OCS.

b. Removing SmartStack Modules

1. Using a flathead screwdriver, pry up the end of the SmartStack Module (opposite of tabs) and swing the module out.
2. Lift out the tabs of the module.

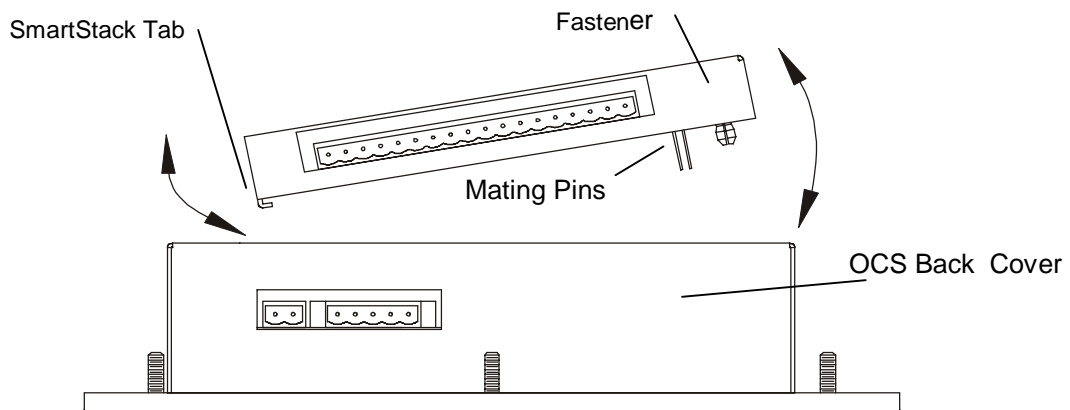


Figure 2.1 – Installing a SmartStack Module in an OCS

2.2 Connectors

2.2.1 DeviceNet I/O Connector (CAN A)

The DeviceNet I/O connector (CAN A) is located next to the RS-232 serial port. It consists of a 5-pin removable screw terminal with the following terminal descriptions:

Table 2.2 – DeviceNet I/O Connector Pinout		
Pin	Signal	Description
1	V-	Power -
2	CAN_L	Signal -
3	Drain	Shield
4	CAN_H	Signal +
5	V+	Power +

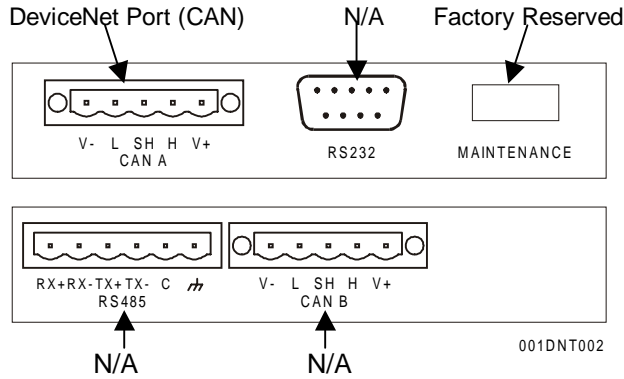


Figure 2.2 – DNT450 Connectors

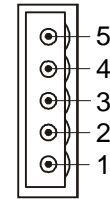


Figure 2.3 - DeviceNet I/O Connector (As Viewed from Front of Module)

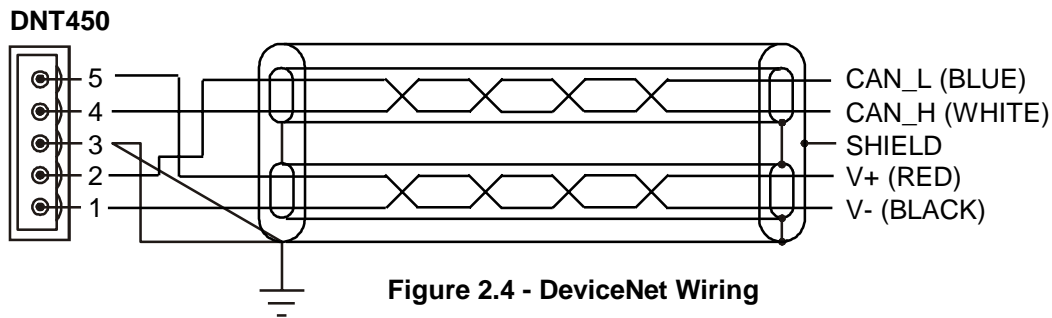


Figure 2.4 - DeviceNet Wiring

A user-supplied 121Ω ¼W 1% resistor is needed for termination at EACH END of the network cabling. Refer to the DeviceNet cabling specifications for proper location of the terminating resistor.

2.3 LED Indicators

The DNT450 provides two bi-color (Red/Green) diagnostic LEDs on its front panel. These LEDs are located on the same side of the module as the Devicenet port, and the RS232 port. The network status LED is nearest to the edge of the module.

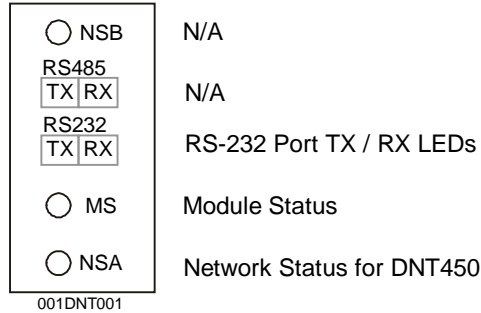


Figure 2.5 – LEDs

Table 2.3 - Module Status LED (MS)		
For this state	Module Status LED is	Condition
No Power	Off	There is no power applied to the module.
Device Operational	Green	The module is operating normally.
Device in Standby	Flashing Green	The module has no configuration.
Minor Fault	Flashing Red	Recoverable Fault
Unrecoverable Fault	Red	The module has an unrecoverable fault.
Device Self Testing	Flashing Red-Green	The module is in Self Test.

Table 2.4 - Network Status LED (NSA)		
For this state	Network Status LED is	Condition
Not powered or Not On-line	Off	The module may not be powered. Module is not on-line. Module has not completed Dup_MAC_ID test.
Module On-line and Connected. Network OK	Green	The module is on-line and has all connections in the established state.
Module On-line but Not connected	Flashing Green	Module has passed the Dup_MAC_ID test and is on-line but has not established a connection with one or more nodes.
Connection Time-Out	Flashing Red	One or more Connections have Timed-Out.
Critical Link Failure	Red	Failed communication device.
Device Self Test	Flashing Red-Green	Device is in self test
Device in Standby	Flashing Red	The module has no configuration

NOTES

CHAPTER 3: DEVICENET NODE, DNT450 & PLC RELATIONSHIPS

3.1 General

Unless otherwise noted, all numeric radices are in decimal. In a few cases the notation 0xhh is used to indicate Hexadecimal radix.

3.2 Module to PLC Register Mapping

The DNT450 requires the use of four blocks of PLC registers. One block is defined in each of the PLCs %I, %AI, %Q and %AQ register space. Through the use of the Cscape, the user can specify the starting register and the size of each of these four register blocks. Data from the PLC to the DNT450 (and to the DeviceNet nodes) are passed in the %Q and %AQ registers. Data to the PLC are passed by the DNT450 in the PLCs %I and %AI registers.

With respect to the examples in this manual, the PLC register references are set to one. This simplifies our examples by assuming that all of the register reference assignments start at one. That is, the first %I, %Q, %AI and %AQ registers are assigned to PLC register %I1, %Q1, %AI1 and %AQ1. Although these register assignments can be placed anywhere within the PLC register space, we have made these assignments for simplicities sake.

3.3 Node to PLC Register Mapping

Additionally, the DNT450 subdivides these register blocks providing individual sub-blocks to each DeviceNet node. This provides mapping between the PLC's data registers and the data to and from each individual DeviceNet node. As a result, each node's polled data is immediately available to the PLC ladder code by accessing the appropriate PLC register(s). Note that the node to PLC register assignments must be contained within the Module register definitions defined in Module to PLC Register Mapping discussed above.

3.4 Message Packets and Fragmentation

A DeviceNet message packet can contain from 0 to 8 bytes of data. If more than 8 bytes of data are required, the message must be broken up into two or more packets or fragments. This is called fragmentation. The DNT450 handles this automatically, without any intervention by the user or the ladder program running in the PLC.

Fragmentation works differently for Polled messages than Explicit messages. In the case of Polled messages, each message fragment is sent to the receiving party one after the other as fast as possible. In the case of large Explicit messages, the sender will send only the first packet. The sender then waits for an ACK message from the receiver. Upon receiving the ACK, the sender then transmits the next packet and waits for another ACK. This process repeats until all message fragments have been sent. This ACK process requires a considerable amount of time when compared to Polled messages.

3.5 Physical Limitations

There are physical limits on the amount of data that can be transferred between the DNT450 and the PLC. This limit is 300 bytes of %I and %AI data and 300 bytes of %Q and %AQ data.

The smallest data item that DeviceNet can handle is one byte. If an application requires only a single %Q output or command bit, a group of 8 %Qs must be allocated. The remaining 7 will be unused (or wasted). The same is true for bit type input data.

3.6 Data Assemblies

For a Polled Connection, the data bytes within the DeviceNet messages must be sent and received in a predetermined order. This order is specified by "Data Assemblies". Data Assemblies are published by the manufacturer of the DeviceNet node. To properly map the DeviceNet data to or from the PLC, the data assemblies for each DeviceNet node must be available and understood. Consult data sheets from the DeviceNet node manufacturer for specific details on Data Assemblies.

From the point of view of the PLC, all input is via %I and %AI registers and all output data is via %Q and %AQ registers. From the point of view of the DeviceNet nodes, all I/O is via streams of data bytes, known as Data Assemblies, that they send and receive. In most DeviceNet nodes, the data assembly formats are fixed, in others they are configurable. Consult data sheets from the DeviceNet node manufacturer for details on Data Assemblies.

The DNT450 accepts output data from the PLC in the form of %Q and/or %AQ registers. It then translates this data into DeviceNet polled messages, and sends them to the node. The DNT450 receives DeviceNet polled response messages from the addressed DeviceNet node, translates these DeviceNet messages and passes the data on to the PLC where they are stored in the appropriate %I and/or %AI registers.

The DNT450 allows up to 4 blocks of data to be concatenated to form a data assembly. Each block can be configured as either bit data or word data. The number of bits or words within each block is also configurable. Keep in mind that bits must be assigned in groups of 8 bits. The user can configure, for example, that the first block will contain 32 bits, the second block might contain 7 words, the third block might contain 8 bits and the fourth block might contain 5 words. This would result in a data assembly that contains: 32 bits followed by 7 words followed by 8 bits followed by 5 words. This example results in a data assembly that contains 29 bytes. The user must define a data assembly for both the input and output data for each node on the network.

3.7 DNT450 Configuration Introduction

Configuration of the DNT450 is performed using a PC running Cscape Software. There are a number of steps required in order to properly configure the DNT450 DeviceNet scanner module. These steps include:

Add the DNT450 to the OCS SmartStack I/O Configuration.

Specify the DNT450's MACID.

Specify the network baud rate.

Specify the module's first %I register number.

Specify the module's first %Q register number.

Specify the module's first %AI register number.

Specify the module's first %AQ register number.

For each configured node,

Specify the node's first %I register number.

Specify the node's first %Q register number.

Specify the node's first %AI register number.

Specify the node's first %AQ register number.

Specify the node's Polled Expected Packet Rate.

Specify the node's Minimum Polled Scan Time.

Specify the node's Maximum Polled Response Time.

Specify the node's Maximum Explicit Response Time.

Specify the node's Input Data Assembly.

Specify the node's Output Data Assembly.

Specify the node's Polled Delay Time.

Each of these items are briefly discussed below:

Add the DNT450 to the OCS SmartStack I/O. Refer to **Chapter Six** for configuration details.

Specify the DNT450's MACID.

This is the network address that the DNT450 will respond to. All nodes on the network, including the DNT450 must be configured with a unique MACID.

Specify the network baud rate.

This is the data bit rate at which all nodes on the network will operate. All nodes on the network must be configured to operate with the same baud rate.

Specify the module's first %I register number.

This entry specifies the first register in the block of PLC %I registers that is assigned to the DNT450 module.

Specify the module's first %Q register number.

This entry specifies the first register in the block of PLC %Q registers that is assigned to the DNT450 module.

Specify the module's first %AI register number.

This entry specifies the first register in the block of PLC %AI registers that is assigned to the DNT450 module.

Specify the module's first %AQ register number.

This entry specifies the first register in the block of PLC %AQ registers that is assigned to the DNT450 module.

Scan List.

Before the DNT450 can communicate with any DeviceNet nodes, it must be configured with a Scan List. The Scan List specifies which DeviceNet nodes to query. Only those nodes specified in the Scan List are considered to exist on the network. The DNT450 needs additional information about each of the nodes in the Scan List. For each node included in the Scan List:

Specify the node's first %I register number.

This entry specifies the first register in the block of PLC %I registers that are assigned to this node. Note that this block must be part of the larger block of %I registers assigned to the DNT450 above.

Specify the node's first %Q register number.

This entry specifies the first register in the block of PLC %Q registers that are assigned to this node. Note that this block must be part of the larger block of %Q registers assigned to the DNT450 above.

Specify the node's first %AI register number.

This entry specifies the first register in the block of PLC %AI registers that are assigned to this node. Note that this block must be part of the larger block of %AI registers assigned to the DNT450 above.

Specify the node's first %AQ register number.

This entry specifies the first register in the block of PLC %AQ registers that are assigned to this node. Note that this block must be part of the larger block of %AQ registers assigned to the DNT450 above.

Specify the node's Polled Expected Packet Rate.

This entry specifies the Expected Packet Rate that will be loaded into the node when a dialogue is established with the node. The node uses this number multiplied by four as an inactivity timer limit value. The node resets the inactivity timer each time it receives a polled request message from the DNT450. If the timer expires the node will enter the timed-out state, effectively taking itself off-line.

Specify the node's Minimum Polled Scan Time.

This is the minimum amount of time that the DNT450 will wait between sending polled requests to the node. In effect, this is the minimum time between consecutive scans to the node. Once the system is running, the actual polled scan time can be displayed through the fault table facility in real time.

Specify the node's Maximum Polled Response Time.

This is the maximum time that the DNT450 will wait for a polled response from the node. If this timer expires, the node is taken off-line. Then at the next opportunity, the DNT450 will attempt to reconnect to the node.

Specify the node's Maximum Explicit Response Time.

This is the maximum time that the DNT450 will wait for an explicit response from the node. If this timer expires, the node is taken off-line. Then at the next opportunity, the DNT450 will attempt to reconnect to the node.

Specify the node's Input Data Assembly.

This item specifies the input data assembly for data received from the node. See section 3.6 for more details.

Specify the node's Output Data Assembly.

This item specifies the output data assembly for data being sent to the node. See section 3.6 for more details.

Specify the node's Polled Delay Time.

Some older slave nodes can not accept fragmented polled data packets sent at full speed, especially if the baud rate is 500KB. This entry instructs the DNT450 to insert a delay between polled fragmented packets addressed to this node. For most nodes, this entry should be set to zero. If required, try a value of 100 or 200.

3.8 DeviceNet Node Priority and Implications

The DNT450 can carry on conversations with several DeviceNet nodes simultaneously. Because of this, DeviceNet Node Priorities become important. Within the scheme of CAN communications, there is a concept known as Arbitration. If two slaves begin to transmit CAN messages simultaneously, the slave with the smallest node address will win. The loser must immediately stop transmitting and try again later. This gives obvious priority to the slave with the lower node address. This can create problems if care is not taken in the assignment of node addresses.

Consideration should be given to the priorities of the individual nodes. In the design of most networks, there are usually a few nodes that require a higher priority than the rest. These nodes should be assigned the lower node addresses.

3.9 Fault Table

The DNT450 provides a fault table that makes available the status of each node on the network. PLC registers %Q3, %Q4, %Q5, %AI5, and %AI6 (*With respect to the base addresses set within the configuration*) are used to provide a user interface into the fault table. The table has an entry for each DeviceNet node. The user is provided a single node window into the fault table.

There are three command bits (%Q registers) to allow control over the fault table and the entry being displayed. Setting %Q3 causes the first node with a fault to be displayed. Setting %Q4 causes the next node with a fault to be displayed. If the node being displayed is the last node with a fault, then the first node with a fault will be displayed. Setting %Q5 causes all entries in the fault table to be cleared. Unpredictable results may occur if more than one of command bit %Q3, %Q4 or %Q5 is simultaneously set.

The user is also provided two %AI registers that are used to display fault information about the indicated node. Each of these registers are broken into two bytes as indicated below:

- The least significant byte of register %AI5 contains the Node Address of the fault data displayed in the next 3 bytes.
- The most significant byte of register %AI5 contains the Fault Code that exists for the node indicated by the addressed node. The fault code can have the following values:
 0. None.
 1. Polled Scan Time.
 2. Timeout waiting for an Explicit Fragmented Acknowledge Response Message.
 3. Timeout waiting for an Allocate Explicit Connection Response Message.
 4. Timeout waiting for an Allocate Polled connection Response Message.
 5. Timeout waiting for a Get Polled Consumption Size Response Message.
 6. Timeout waiting for a Get Polled Production Size Response Message.
 7. Timeout waiting for a "NOP" Response Message.
 8. Timeout waiting for a Polled Response Message.
 9. Timeout waiting for a Set Polled Expected Packet Rate Response Message.
 10. Timeout waiting for any other Explicit Response Message.
 11. Unable to Establish an Explicit Connection.
 12. Unable to Establish a Polled Connection.
 13. Polled Consumption Size Error.
 14. Polled Production Size Error.

There are priorities involved with the fault code values. Priorities are assigned based on the numeric value of the individual fault codes. A higher number has a higher priority. If a code of 5 (Timeout waiting for a Get Polled Consumption Size Response Message) is being displayed, a lower priority code such as 2 (Timeout waiting for an Explicit Fragmented Acknowledge Response Message) will not displace the higher priority code. However, a lower priority fault code will be displaced by a higher priority code occurring.

Fault code type 1 (Polled Scan Time) is really not a fault at all. Instead, if there is nothing else that needs to be displayed, The Polled scan time is displayed. This is the time from one Polled Command Message to the next, NOT the node's response time to a Polled Command Message. When looking at these polled scan times, keep in mind that the DNT450 will overlap Polled Command Messages. In other words, while waiting for a Polled Response Message from one node, a Polled Command Message will be sent to another node. It is possible on smaller networks that there could be a simultaneous Polled Response Message pending from each and every node on the network. The primary purpose of this technique is to more fully utilize the DeviceNet bandwidth.

- The most significant byte of register %AI6 contains Fault Data Byte 1. This byte takes on different meanings depending on the fault code:
 - if the fault code is Polled Consumption Size Error, this entry displays the consumption size as reported by the specified node.
 - if the fault code is Polled Production Size Error, this entry displays the production size as reported by the specified node.
 - if the fault code is Polled Scan Time, both bytes of this word (16 bit WORD value) reports the actual polled scan time for this node in milliseconds.
 - all other fault codes, not used.

- The least significant byte of register %AI6 contains Fault Data Byte 2. This byte takes on different meanings depending on the fault code:
 - if fault code is Polled Consumption Size Error, this entry displays the consumption size as indicated by the DNT450's configuration file for the specified node.
 - if fault code is Polled Production Size Error, this entry displays the production size as indicated by the DNT450's configuration file for the specified node.
 - if the fault code is Polled Scan Time, both bytes of this word (16 bit WORD value) reports the actual polled scan time for this node.
 - all other fault codes, not used.

Because it is possible that higher priority faults can be generated during system power up sequences, the following sequence should be followed to access the fault table:

1. Allow the system to run for a few seconds.
2. Clear the fault table.
3. Wait a few more seconds.
4. And finally, access the fault table.

This causes the fault table to be refreshed with current data. Any preexisting high priority entries are eliminated in favor of the current lower priority data.

NOTES

CHAPTER 4: DNT450 REGISTER REQUIREMENTS

The DNT450 requires a number of PLC registers to be assigned to itself. The following tables define the DNT450 register requirements and definitions of these data assemblies (*These registers are with respect to the base addresses assigned within the configuration*):

DNT450 REGISTER REQUIREMENTS	
Number of %Q's	8
Number of %AQ's	4
Number of %I's	16
Number of %AI's	6

DNT450 %Q REGISTER REQUIREMENTS	
%Q1	Stop DeviceNet Scanning
%Q2	Send Explicit Message
%Q3	Display the first node with a fault
%Q4	Display the next node with a fault
%Q5	Clear all faults
%Q6-8	Reserved
DNT450 %AQ REGISTER REQUIREMENTS	
%AQ1	Transmit Buffer First %R Number
%AQ2	Transmit Buffer Size (In bytes)
%AQ3	Receive Buffer First %R Number
%AQ4	Receive Buffer Size (In bytes)
DNT450 %I REGISTER REQUIREMENTS	
%I1	Someone is Off Line
%I2	DeviceNet scanning is stopped
%I3	Explicit Transaction Complete
%I4	Explicit Error – Buffer Allocation Error
%I5	Explicit Error – Can't get %R buffer from OCS
%I6	Explicit Error – Invalid MAC ID
%I7	Explicit Error – Node Not Configured
%I8	Explicit Error – Node not on-line
%I9	Explicit Error – Operation timed out
%I10	Explicit Error – Other DNT Error
%I11	Explicit Error – Receive Buffer Overrun
%I12	Explicit Error – Can't put %R buffer to OCS
%I13-16	Reserved
DNT450 %AI REGISTER REQUIREMENTS	
%AI1	On Line status, nodes 0-15
%AI2	On Line status, nodes 16-31
%AI3	On Line status, nodes 32-47
%AI4	On Line status, nodes 48-63
%AI5 LSB	Fault Table Bytes 1 – Node Address
%AI5 MSB	Fault Table Bytes 2 – Fault Code
%AI6 LSB	Fault Table Bytes 3
%AI6 MSB	Fault Table Bytes 4

%Q1 Stop DeviceNet Scanning

Setting this bit causes the DNT450 to close or release all connections between itself and all DeviceNet nodes. No further communications will occur between the DNT450 and the DeviceNet nodes until the Stop DeviceNet Scanning bit is cleared. While the scanning is stopped, the DeviceNet Scanning is Stopped bit %I2 bit will be set.

%Q3 Display the first node with a fault

Displays the fault data for the lowest addressed node that has an entry in the fault table.

%Q4 Display the next node with a fault

Displays the next node

%Q5 Clear all fault codes

Clears all entries in the fault table.

%I1 Someone is Off Line

This status bit indicated that one or more configured nodes are not on line.

%I2 DeviceNet Scanning is Stopped

This status bit indicates that the DeviceNet scanning is stopped as a result of the bit %Q1 Stop DeviceNet Scanning having been set by the PLC.

%AI1 On Line Status of Nodes 00 - 15

%AI2 On Line Status of Nodes 16 - 31

%AI3 On Line Status of Nodes 32 - 47

%AI4 On Line Status of Nodes 48 - 63

These four %AI registers collectively contain 64 individual status bits. One bit is assigned to each of the 64 possible DeviceNet node addresses. Status bits for nodes 0 through 15 are mapped into the first %AI register. Status bits for nodes 16 through 31 are mapped into the second %AI register. Status bits for nodes 32 through 47 are mapped into the third %AI register. Status bits for nodes 48 through 63 are mapped into the fourth %AI register. The status bit for node 0 is placed in the least significant bit position of the first %AI register, with consecutively higher addressed nodes status bits being placed in the next higher bit positions.

Each individual status bit is set TRUE if the corresponding DeviceNet node is On Line. On Line is defined as the node's Polled connection being in the Established state and the node is communicating Polled data.

%AI5 LSB – Fault Table Byte 1 – Node Address

This byte contains the node address of the fault data displayed in the next 3 bytes.

%A15 MSB – Fault Table Byte 2 – Fault Code

This byte indicates the type of fault that exists for the node indicated by the addressed node. The fault code can have the following values:

0. None.
1. Polled Scan Time.
2. Timeout waiting for an Explicit Fragmented Acknowledge Response Message.
3. Timeout waiting for an Allocate Explicit Connection Response Message.
4. Timeout waiting for an Allocate Polled connection Response Message.
5. Timeout waiting for a Get Polled Consumption Size Response Message.
6. Timeout waiting for a Get Polled Production Size Response Message.
7. Timeout waiting for a "NOP" Response Message.
8. Timeout waiting for a Polled Response Message.
9. Timeout waiting for a Set Polled Expected Packet Rate Response Message.
10. Timeout waiting for any other Explicit Response Message.
11. Unable to Establish an Explicit Connection.
12. Unable to Establish a Polled Connection.
13. Polled Consumption Size Error.
14. Polled Production Size Error.

%A16 MSB – Fault Table Byte 3 – Fault Data 1

- if the fault code is Polled consumption size error, this entry displays the consumption size as reported by the specified node.
- if the fault code is Polled production size error, this entry displays the production size as reported by the specified node.
- if the fault code is Polled scan time, both bytes of this word (16 bit WORD value) reports the actual polled scan time for this node in milliseconds.

%A16 LSB – Fault Table Byte 4 – Fault Data 2

- if fault code is Polled consumption size error, this entry displays the consumption size as indicated by the DNT450's configuration file for the specified node.
- if fault code is Polled production size error, this entry displays the production size as indicated by the DNT450's configuration file for the specified node.
- if the fault code is Polled scan time, both bytes of this word (16 bit WORD value) reports the actual polled scan time for this node.

Note: Many DeviceNet nodes also provide additional diagnostic data within their individual data assemblies.

NOTES

CHAPTER 5: EXPLICIT MESSAGING USING DNT450

5.1 General

The DNT450 supports both POLLED and EXPLICIT connections. Explicit Messaging requires a great deal of overhead in both the DNT450 and the OCS. Multiple PLC scans may be required to access the required data between the OCS and the DNT450. As a result, Explicit Messages should be reserved for access to infrequently needed data, such as configuration or tuning parameters only.

The sequence below presents a general description of the process that must be executed to service an Explicit request.

1. The ladder code builds an explicit request message in a group of %R registers.
2. The ladder code plugs the start of and length of the transmit and receive buffers into four %AQ registers. The transmit and receive buffers must both be located in the %R register space of the OCS.
3. The ladder code then sets the "Send Explicit Message" command bit.
4. The DNT450 periodically checks the "Send Explicit Message" command bit.
5. If the "Send Explicit Message" command bit is set, processing of the explicit request begins. This command bit must remain on until success or error status is returned.
6. The four %AQ registers are examined and checked for validity.
7. The DNT450 requests the PLC to send the transmit buffer.
8. The DNT450 then checks the MACID contained in the transmit buffer. Several checks take place, MACID out-of-range, referenced node not configured and referenced node not On-line.
9. Then the message is formatted and sent to the referenced node.
10. When the response message is received, a check is made to see if the allocated receive buffer is large enough to accept the response message.
11. The message is then sent to the block of %R registers designated as the receive buffer.
12. The Explicit Transaction Complete bit is then set.
13. If there were any errors detected in any of the previous steps, the process is aborted and the appropriate error status bit along with the Explicit Transaction Complete bit are set.

See **Chapter 4** for descriptions of all of the command, status and error bits.

5.2 Building Explicit Messages

In the following example, let's assume that we want to read the polled consumption size from the node at MACID 3, we also want to locate the transmit buffer at %R101, the receive buffer at %R51 and we will also allocate 20 bytes to the receive buffer.

BYTE NUMBER	REGISTER NUMBER	DESCRIPTION	TRANSMIT BUFFER DATA
0	R101 LSB	MACID (Node Address)	03
1	R101 MSB	Service Code (Get Attribute Single)	14
2	R102 LSB	Class ID (Connection Class)	05
3	R102 MSB		00
4	R103 LSB	Instance ID (Polled Connection)	02
5	R103 MSB		00
6	R103 LSB	Attribute # (Consumption Size)	07

REGISTER	DESCRIPTION	VALUE
%AQ1	Start of Transmit Buffer	101
%AQ2	Number of Bytes to Transmit	7
%AQ3	Start of Receive Buffer	51
%AQ4	Receive Buffer Allocation Size	20

In the following example we want to write the polled expected packet rate to the node at MACID 3, we also want to locate the transmit buffer at %R101, the receive buffer at %R51, we will also allocate 20 bytes to the receive buffer.

BYTE NUMBER	REGISTER NUMBER	DESCRIPTION	TRANSMIT BUFFER DATA
0	R101 LSB	MACID (Node Address)	03
1	R101 MSB	Service Code (Set Attribute Single)	16
2	R102 LSB	Class ID (Connection Class)	05
3	R102 MSB		00
4	R103 LSB	Instance ID (Polled Connection)	02
5	R103 MSB		00
6	R104 LSB	Attribute (Expected Packet Rate)	07
7	R104 MSB	Data Value Low Byte	E8(Hex)
8	R105 LSB	Data Value High Byte	03

REGISTER	DESCRIPTION	VALUE
%AQ1	Start of Transmit Buffer	101
%AQ2	Number of Bytes to Transmit	9
%AQ3	Start of Receive Buffer	51
%AQ4	Receive Buffer Allocation Size	20

5.3 How to Interpret Explicit Response Messages

The normal, expected response from an Explicit Message is the Acknowledge Message:

BYTE NUMBER	DESCRIPTION	EXAMPLE
0	Number of bytes received	Xx
1		Xx
2	MACID	01
3	*Service Code	0x90(Hex)
4	Optional Data	Xx
-	Optional Data	Xx
-	Optional Data	Xx
n	Optional Data	Xx
* Previously sent Service Code (0x10) + 0x80		

Note: The Most Significant Bit in the Service Code byte is used as a Response Bit indicating that the command was properly received. [Service Code 0x10 + Response Bit 0x80 = 0x90]. If any extra data needs to be returned, that data will be placed into subsequent bytes.

Note: The number of bytes received value is the number of bytes of the message placed in the receive buffer including the two bytes devoted to the number of bytes received.

5.4 Explicit Message Errors

In the case that an Explicit Message requests a function that cannot be performed by the referenced node, an Explicit Error Message will be returned.

An Explicit Error Message takes the following form:

Byte Number	Description	Example (values in HEX)	Word Offset	Value (from example)
0	Number of bytes received	06	%R1	0006
1		00		
2	MACID	01	%R2	0x9401
3	Service Code	94		
4	General Error Code	xx	%R3	xxxx
5	Additional Error Code	xx		

An Error is indicated by a 0x94 in the service code byte. This indicates that the referenced node has detected an error and the two bytes following indicate the specifics to that error. The next byte indicates the General Error Code. The last byte contains an Additional Error Code to indicate additional information. See appendix C for a list of and definitions of General and Additional Error Codes.

Many DeviceNet manufactures have defined vendor specific error codes. In this case the General error code will be in the range of 0xD0 to 0xFF (Vendor-specific Object and Class errors). In these cases the Additional error code can be anything. Consult the documentation from the node manufacture for more details.

NOTES

CHAPTER 6: CONFIGURATION

6.1 General

Chapter Six describes the steps necessary to configure the DNT450 module and the OCS it is attached to. The procedures for using Cscape software are also described.

6.2 Configuration

Configuration is usually completed after the modules are installed. With Cscape, however, OCS configuration is contained with the source code (.CSP) files. The OCS can be configured before the modules are installed or even if the OCS is not available. This is a great convenience when programming must start before the hardware has been received.

6.2.1 Select the Module to be Configured

First, invoke Cscape. From the Cscape Main Menu, select **C**ontroller | I/O **C**onfigure...

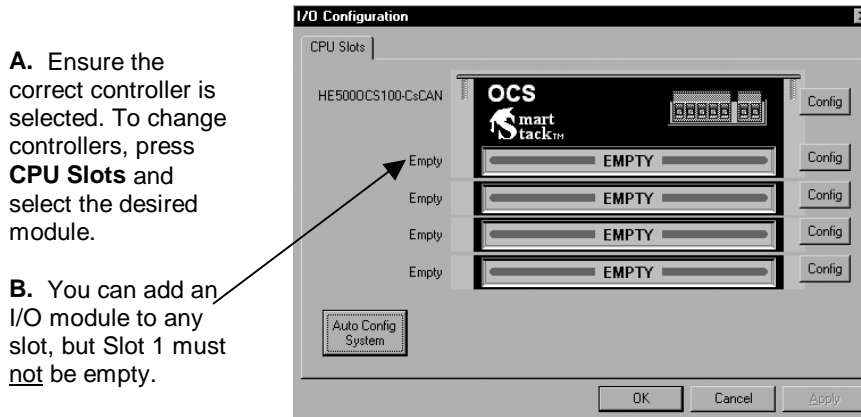


Figure 6.1 – Select the Module Slot

Next, double-click on the empty slot in which the DNT450 module will reside, or click on the **Config** button to the right of the slot position. This invokes the Add I/O Module screen. Click on the **Comm** tab.

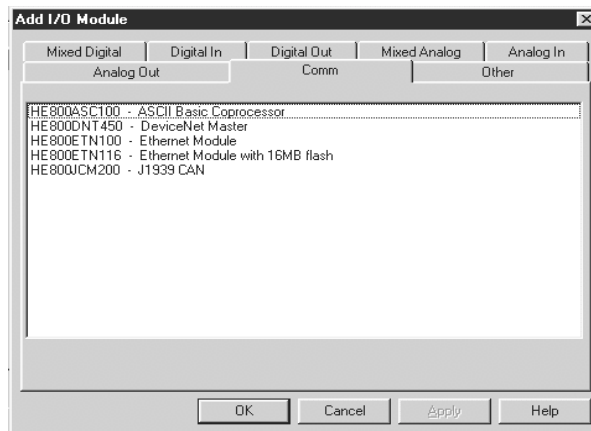


Figure 6.2 – Select the Comm tab

From that dialog, select the **DNT450** module, and click **OK**.



Figure 6.3 – DNT450 Module is Added

The screen returns to the Configure I/O dialog box- with the selected slot showing that the DeviceNet Master module has been added.

It is vital that the module and slot match that of the OCS. Mismatched configurations cause an I/O Module Mismatch Error during the power-on diagnostics of the OCS.

If the OCS that is to be configured is available and connected to one of the COM ports, the **Auto Config** button can be used. Using this option will cause Cscape to read the OCS and display the modules that are connected to the OCS.

Note: When using Auto Config the user needs to make sure that the SmartStack modules to be used (e.g.,DNT450) are connected to the OCS prior to using Auto Config.

6.2.2 Configure the Module

First, double click on the DeviceNet module in the I/O configuration screen (Figure 5.4), or click on the **config** button next to the DeviceNet module. The following screen will appear:



Figure 6.4 – Module Configuration

Now, click on the **Module Setup** tab. Select the **Configure** button. The DeviceNet network configuration utility will then open up. The first dialog that will appear is the **Network Properties** dialog. This dialog allows the user to set the starting Reference Addresses of the registers and Baud Rate of the network. The %I size, %AI size, %Q size, %AQ size, %I Ref Addr, %AI Ref Addr, %Q Ref Addr, and %AQ Ref Addr values are values with respect to the OCS that the DNT450 is running on. Select the **Baud Rate** drop down box to configure the baud rate for the DNT450. Once done configuring this screen, then click **OK**.



Figure 6.5 – Network properties screen

The network view of the configuration utility will appear. The right pane is the **Network View** where the user can build a visual representation of a network depicting the DNT450 Master and all slave nodes (devices). The nodes are configured in this view.

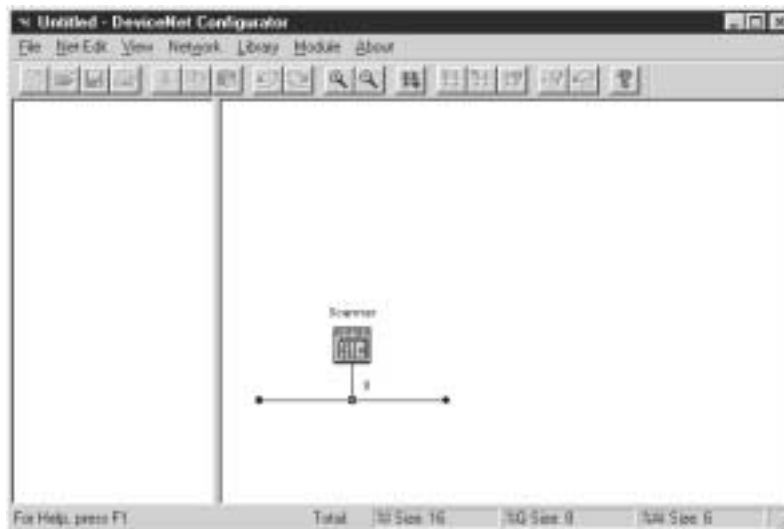


Figure 6.6 – Network View screen

6.2.3 *Creating the network configuration*

The DeviceNet network can now be constructed within the network view display. Before constructing a network with this utility, it is recommended that one should use the following method to create the network:

1. Decide what baud rate the network will run at. This is needed for the DNT450 module configuration as well as the configuration of each individual DeviceNet node. All nodes including the DNT450 must be configured for the same baud rate.
2. Identify all devices (nodes) that are going to be a part of the network.
3. Is Data Assembly information available for each DeviceNet node in the network? This can be in the form of printed information in the manufactures manual or in the form of an EDS file provided by the manufacturer. Note that some EDS files do not provide the nodes' polled consumption and production sizes.
4. Assign MACIDs (node addresses) to each DeviceNet node. The MACIDs assigned to each node is totally arbitrary. The only thing that might have an effect here is the fact that the DNT450 actually scans the nodes in order by MACID. Gaps can be left in the MACID assignments to allow for future nodes to be added, if desired. DeviceNet provides for nodes with lower MACIDs to have a higher network priority. The MACID for the DNT450 can be assigned any unused address. Every node on the network must be assigned a unique MACID.
5. All bit type input data must be assigned to a contiguous block of PLC %I registers and all word type input data must be assigned to a contiguous block of PLC %AI registers.
6. Furthermore, all bit type output data is required to be assigned to a contiguous block of PLC %Q registers and all word type output data must be assigned to a contiguous block of PLC %AQ registers.

When these steps are taken, then a visual representation of the network can be constructed within the **network view** screen.

To add a node, either right click in the right-window pane and select **Add New Node**, or select the **Net-Edit | Add New Node** menu item. Once a new node is visually added to the display, it can now be configured in the following manner. Double click on the new node and the following screen appears.

The screenshot shows a 'Setup' dialog box with a 'Connection Details' tab. The fields are as follows:

Field	Value	Unit
Node MAC ID	1	
Node Name	Node-1	
%I Ref Addr	17	
%Q Ref Addr	9	
%AI Ref Addr	7	
%AQ Ref Addr	5	
%I Reg Size	0	bits
%Q Reg Size	0	bits
%AI Reg Size	0	words
%AQ Reg Size	0	words
Production Size	0	bytes
Consumption Size	0	bytes

Input Data Assembly:

Field	Value
Parameter	1
Param Type	None
Type Count	0

Output Data Assembly:

Field	Value
Parameter	1
Param Type	None
Type Count	0

Timeouts:

Field	Value	Unit
Expt. Response	1000	ms
Poll Response	1000	ms

Other fields at the bottom:

Field	Value	Unit
Poll Scan Time	10	ms
Poll Delay	0	
Expt. Pkt Rate	1000	ms

Buttons: OK, Cancel

Figure 6.7 – Node connection details

This window displays everything about the connection details of that node (Production sizes, consumption sizes, %I, %AI, %Q, and %AQ sizes and references). Enter the node MAC ID. The software program sets the starting reference addresses automatically, but the user can change them if need be.

Fill in the data assemblies. There are four parameters in each assembly. Each parameter can be bit data (**bits**), word data (**words**), or nothing (**none**). This value is set in the **parameter type** drop down window. The count of each parameter is set in the **parameter count** drop down box. The **parameter** drop down box is used to select any of the four available parameters within an assembly for editing/viewing. %I and %AI values come together to form the **production** size of the node. These are values going from the node onto the network to the DNT450. %Q and %AQ values come together to form the **consumption** size of the node. These values are values coming from the network (The DNT450) into the node. Time out/delay values can be set in this screen as well (See section 3.7 for details on the time out/delay values). When done configuring a node, click **OK**. The process can then be repeated for another node and so forth until the entire network is done.

Note: Bit data must be in groups of 8.

The user can choose to press **Network, Auto Remap** to remap the nodes in the network.

Caution: Auto Remap reassigns the reference addresses for all nodes so that no gaps are left in the map. The Auto Remap action cannot be undone and needs to be used with caution.

The Network baud rate and register base addresses can be set at any time by: Selecting **Network**, then **Properties** or by double-clicking anywhere on the screen in the right window pane. This will bring up the **Network Properties** (Figure 5.5) screen again.

To see a summary of I/O devices, select **Network, I/O Summary**. This option is used to display a summary of the inputs (%Is and %AIs) and outputs (%Qs and %AQs) of every node on the network configuration. It also displays reference addresses.

To zoom the network view in and out, select **View**, then **Net – Zoom In** or **Net – Zoom Out**.

When done with the configuration utility, click on the close icon (The 'X' icon) in the upper right corner of the utility screen. This will close down the utility and save the configuration for downloading to the OCS.

NOTE: The module configuration is actually stored in the OCS that it is running on. If the DNT450 module is placed on a different OCS, then that OCS will have to be configured with the module and network configuration again. This also means, however, that DNT450 modules can be swapped on a given OCS unit without the need to reprogram anything since the configuration stays with the OCS and not the DNT450.

CHAPTER 7: DEVELOPING USER SOFTWARE

7.1 Software Support for the Polled Connection

When using the Polled Connection, all inputs from and outputs to the DNT450 are handled by normal ladder programming techniques to set appropriate data values and read any resulting data values. Inputs from the DNT450 (and the DeviceNet nodes) can be read from the PLC's %I and %AI registers. Outputs to the DNT450 (and the DeviceNet nodes) are placed in the PLC's %Q and %AQ registers. The specific registers used are a function of the configuration of the DNT450 and of the PLC Configuration.

Data is passed via the DeviceNet Polled Connection automatically. Data is read from or written to the network devices according to the registers programmed. No extra ladder programming is required to send or receive data using Polled Messages.

NOTES

APPENDIX A: DNT450 NETWORK OPERATION

A.1 Sequence of Events

The DNT450 follows a predetermined sequence of events as it attempts to communicate with all of the nodes connected to the network. In an effort to maximize the available DeviceNet bandwidth, the DNT450 may have message transactions in process with several different nodes at the same time. Defined below is a very generalized sequence of events:

1. The DNT450 steps through each node included in its scan list repeatedly.
2. As each node is examined, several checks are made on the status of the node. These include:
 - A. Is the node on-line? If not go to Establishing a Connection below.
 - B. Is a message transaction currently in progress with the node? If not, go to Sending a Polled Message below.

A.2 Establishing a Connection

There are several steps involved in the establishment of connections with DeviceNet nodes. The general steps involved include:

1. Attempt to establish an Explicit connection using the UCMM protocol. If unsuccessful, attempt to establish an explicit connection using the Group 2 Only protocol. If unsuccessful, return.
2. Attempt to establish a Polled connection. If unsuccessful, release the Explicit connection and return.
3. Request the node's Polled Production size. If unsuccessful, release the Explicit and Polled connections and return.
4. Compare the nodes Polled Production size to the configuration file. If different, release the Explicit and Polled connections and return.
5. Request the node's Polled Consumption size. If unsuccessful, release the Explicit and Polled connections and return.
6. Compare the nodes Polled Consumption size to the configuration file. If different, release the Explicit and Polled connections and return.
7. Set the nodes Polled Expected Packet Rate. If unsuccessful, release the Explicit and Polled connections and return.
8. Set On Line status for the node and return.

A.3 Send a Polled Message

1. Read the appropriate %Q and %AQ data from the PLC.
2. Build a Polled Command message sequence.
3. Sent the message(s) over the network to the node.
4. When the Polled response from the node is received, send the response data to the appropriate PLC %I and %AI registers and return.

A.4 Explicit NOPs

Every few seconds the DNT450 will send an Explicit message containing a NOP to each on line node. The purpose of this is to keep the nodes' Explicit connection from timing out.

See ODVA DeviceNet Specifications, Volume I, Chapters 9 and 10, and Appendices A through F for a complete listing of DeviceNet requirements and specification.

NOTES

APPENDIX B: DEVICENET TIMING

B.1 Message Packet Timing

It is not easy to determine the exact transmission time of the DeviceNet Polled scan time. The table below provides actual timing of single message packets for various baud rates and message sizes. It must be understood that the table does not take into account the dead time between the message packets. There are a number of reasons for this dead time, but be assured that it does exist. The best way to get an accurate handle on the DeviceNet Polled scan time is to connect a good digital oscilloscope or a DeviceNet protocol analyzer to the DeviceNet cable and observe the system's operation.

The amount of data to be transmitted determines the "packet size" and number of packets necessary. The baud rate determines the amount of time necessary to transmit one packet.

MESSAGE PACKET TRANSMISSION TIMES										
Number of Data Bytes in Message	0	1	2	3	4	5	6	7	8	
Number of BITS in message packet	47	55	63	71	79	87	95	103	111	
Transmission time @ 125K	376	440	504	568	632	696	760	824	888	μS
Transmission time @ 250K	188	220	252	284	316	348	380	412	444	μS
Transmission time @ 500K	94	110	126	142	158	174	190	206	222	μS

Given a message of 'X' bytes, it is first necessary to determine if fragmentation is involved, and if so how many packets will be sent:

If the size of the message ('X') is eight (8) bytes or less, use the time given in Table 8.

If the size ('X') is more than eight bytes, fragmentation is required:

Number of Full Packets = Message Size / 7

Size of additional packet = (remainder of (message size / 7)) + 1

Time for full packets = Time for 8 bytes, taken from table.

Time for additional packet = Taken from table

Time for full message = Total for all Full Packets + Time for Additional Packet.

B.2 Network Scan Time versus PLC Scan Time

The user should not make any assumptions about the relationship between the PLC scan time and the DeviceNet Polled scan time. They are totally asynchronous to each other.

Any relationship between the PLC scan time and the DeviceNet Polled scan time can be determined only with a strong knowledge of the program running in the PLC, the DeviceNet configuration or by conducting extensive testing.

NOTES

APPENDIX C: DEVICENET ERROR CODES

The following DeviceNet General Error Codes are defined within the DeviceNet specification and are supported by all DeviceNet nodes.

Table C.1 – General Error Codes		
Error Code (in hex)	Name	Description of error
00 – 01	Reserved	
02	Resource Unavailable	Resource needed for the object to perform the requested service were not available
03 – 07	Reserved	
08	Service Not Supported	The requested service was not implemented or not defined for this Object Class/Instance
09	Invalid Attribute Value	Invalid attribute data detected
0A	Reserved	
0B	Already in requested mode	The object is already in the requested mode or state requested by the service
0C	Object State Conflict	The object can not perform the requested service in it's current mode or state
0D	Reserved	
0E	Attribute Not Settable	A request to modify a non-modifiable attribute was received
0F	Privilege Violation	Permission/privilege check failed
10	Device State Conflict	The device's current mode or state prohibits the requested service
11	Reply Data Too Large	The data to be transmitted is large than the allocated response buffer
12	Reserved	
13	Not Enough Data	The service did not supply enough data to perform the requested service
14	Attribute Not Supported	the attribute specified in the request is not supported
15	Too Much Data	The serve supplied more data than was expected
16	Object Does not Exist	The specified object does not exist in the device
17	Reserved	
18	No stored attribute data	The attribute data of the object was not stored prior to the requested service
19	store operation failure	The attribute data of this object was not saved by the object
1A – 1E		Reserved by DeviceNet
1F	Vendor Specific error	A vendor-defined error has occurred. See the Additional Byte for further information
20	Invalid parameter	A parameter associated with the service was determined to be not valid
21 – CF	Reserved	
D0 – FF	Object Class and Service Errors	Vendor-specific Object and Class errors.

Table C.2 – Additional Error Codes	
Error Code (in hex)	Description of error
01	Predefined Master/Slave Connection Set allocation conflict. This is returned when an Allocate_Master/Slave_Connection_Set request is received and the Slave has already allocated the Predefined Master/Slave Connection Set to another Master.
02	Invalid Allocation/Release Choice parameter. This is returned when an Allocate/Release_Master/Slave_Connection_Set request is received and: 1) The Slave does not support the choice specified in the Choice parameter. 2) The Slave was asked to Allocate/Release connection(s) already allocated/released. The Allocation Choice/Release byte contained all zeros, an invalid combination of bits, or did not contain the Explicit Message Allocation Choice when required.
03	A Group 2 Only Server (UCMM incapable) received a message on the Group 2 Only Unconnected Explicit Request message port that was not an Allocate or Release message.
04	Resource required for use with the Predefined Master/Slave Connection Set is not available.

INDEX

- Configuration, 29
 - Introduction, 15
- Configuration, Network, 32
- Connectors
 - DeviceNet I/O (CAN A), 10
- Data Assemblies, 14
- DeviceNet
 - Error Codes, 41
 - Message Packet Timing, 39
 - Node Priority and Implications, 17
- Explicit Messages
 - Building Explicit Messages, 25
 - Errors, 27
 - Interpreting Explicit Response, 26
- Explicit NOPs, 37
- Fault Table, 17
- Features, 7
- Fragmentation, 13
- LED Indicators, 11
- Mapping
 - Module to PLC, 13
 - Node to PLC, 13
- Message Packets, 13
- Network Operation
 - Establishing Connection, 37
 - Sequence of Events, 37
- Network Timing
 - Network Scan vs. PLC Scan, 39
- Physical Limitations, 13
- Polled Messages, sending, 37
- Register Requirements, 21
- SmartStack
 - Installing and Removing, 9
- Software
 - Polled Connection, 35
- Specifications, 8
- Timing, DeviceNet, 39

