

Dimplex Dual Warmth Heater Model(s): CVP1 & CVP1T

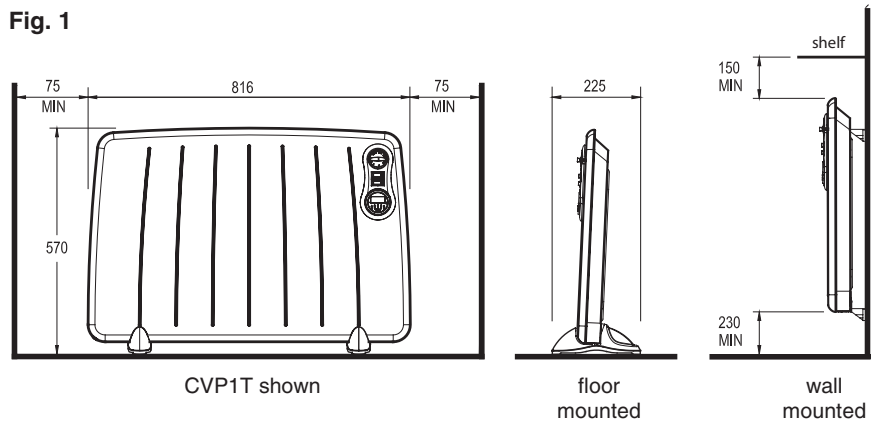
INDUKCVPRG Issue 2

Dimensions

(millimetres)

Models	Specification
CVP1	1000W Thermostat / 2 Neon Heat Switches
CVP1T	1000W Thermostat / 2 Neon Heat Switches & 24 Hour Timer

Fig. 1



THESE INSTRUCTIONS SHOULD BE READ CAREFULLY AND RETAINED FOR FUTURE REFERENCE

IMPORTANT SAFETY ADVICE

WARNING - THIS APPLIANCE MUST NOT BE USED IN A BATHROOM

WARNING - DO NOT USE THIS HEATER IN THE IMMEDIATE SURROUNDINGS OF A BATH, A SHOWER OR A SWIMMING POOL

WARNING - THIS HEATER MUST NOT BE LOCATED IMMEDIATELY BELOW A FIXED SOCKET OUTLET.

DO NOT USE THE HEATER UNTIL THE FEET OR WALL BRACKETS ARE FITTED CORRECTLY.

FOLLOW these instructions carefully.

The heater carries a warning 'DO NOT COVER' to alert the user to the risk of fire that exists if the heater is accidentally covered.

This appliance is not intended for use by children or other persons without assistance or supervision if their physical, sensory or mental capabilities prevent them from using it safely. Children should be supervised to ensure that they do not play with the appliance.

We recommend a guard be fitted to ensure contact with the heater is avoided and objects cannot be inserted in to the product.

If the mains lead is damaged, it must be replaced by the manufacturer or its service agent or a similarly qualified person in order to avoid a hazard.

For further information, please contact our guard supplier direct on Tel. No. 01603 667957, or in case of difficulty or for further advice contact the Customer Helpline - (details on back page)

DO NOT connect the Brown (Live) or the Blue (Neutral) wires to the Earth terminal of your 13 amp plug. If the terminals of the plug are unmarked or you are in any doubt, consult a qualified electrician.

CAUTION: If you use this heater in conjunction with a thermal control, programme controller, timer or any other device which switches the heater on automatically observe all safety warnings at all times.

Positioning the Heater

Select the position for the heater ensuring there is clearance from any furniture and fittings of at least 150mm above the heater, 230mm below (wall mounted) and 75mm each side - see Fig. 1. Curtains must not be closer than 150mm from the top of the heater. If used in a free-standing position the heater should be on a flat stable surface.

Free Standing Operation

NEVER USE THE HEATER FREE STANDING WITHOUT THE FEET FITTED.

1. Lay the heater on it's front.
2. Locate and remove the two foot fixing screws using a X-head screwdriver.
3. Place the feet over the base of the heater, align holes and engage hook on foot into recess on the back of the heater - see Fig. 2.
4. Replace the screws but do not over tighten.

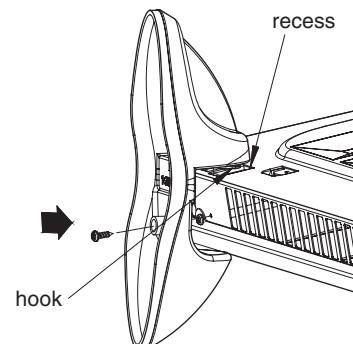


Fig. 2

Electrical

WARNING - THIS APPLIANCE MUST BE EARTHED

If the socket outlets in your home are not of the 13 amp BS1363 type they will not accept the plug connected to this heater, therefore cut off the plug. When cut off this plug can constitute a shock hazard if inserted into a socket outlet. It must therefore be disposed of safely.

Before wiring the appropriate plug please note that the wires in this mains lead are coloured in accordance with the following code:

GREEN/YELLOW - EARTH

BLUE - NEUTRAL

BROWN - LIVE

Connect the Green/Yellow wire to the terminal marked E or the earth symbol or coloured Green or Green/Yellow.

Connect the Brown wire to the terminal marked L or coloured Red.

Connect the Blue wire to the terminal marked N or coloured Black.

Installation

Three identical wall mounting brackets are stored in the polystyrene packaging of the heater. Please note that the radiator must only be wall mounted using the brackets supplied.

Warning: This heater must not be located immediately below a fixed socket outlet. The plug must be accessible after heater installation.

Follow the sequence outlined below when installing the heater.

1. Select the position for the heater ensuring there is clearance from any furniture and fittings of at least 150mm above the heater, 230mm below and 75mm each side. Curtains must not be closer than 150mm from the top of the heater.
2. **Fig. 3** shows the required drill hole positions. Using a straight edge draw a horizontal line for the top brackets at the required mounting height from the floor. On this line mark off the fixing centres at 497mm.
3. Fix the two top retaining brackets to the wall, using suitable fixings. Ensure that suitable fixings are placed in both of the fixing holes provided in each bracket.
4. Locate the heater on the top brackets and allow it to hang in place.
5. Fit the bottom bracket into the slot in the heater and then let it rest against the wall. Mark the hole positions.
6. Remove the heater and drill and plug the holes for the bottom bracket.
7. Re-hang the heater with the bottom bracket fitted to the heater and screw fix the bracket to the wall.

Test that the heater is now securely fixed to the wall.

Note: We recommend that the heater should be wall mounted in rooms where children may be left unattended. See also 'Important Safety Advice'.

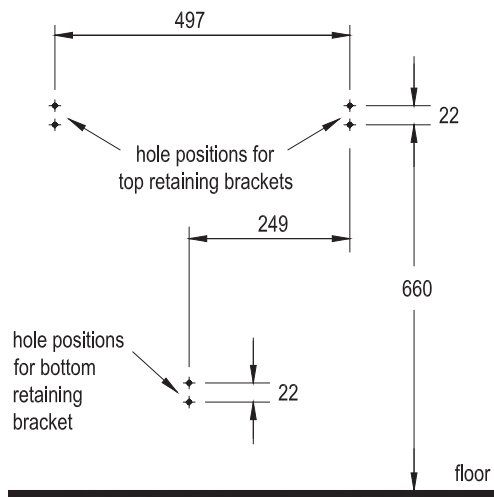


Fig. 3

Operation

Important – Objects or clothing must not be placed on this heater. Before using the heater ensure that all warnings and instructions have been read carefully.

When you have completed the installation, plug in and switch on the power. Two switches on the front panel of the heater control the heat output.

Both switches illuminated indicate both the the front and back panels are in operation and the heater is operating at maximum output (1kW) - see **Fig. 4A** for CVP1 heater controls and **Fig. 4B** for CVP1T heater controls.

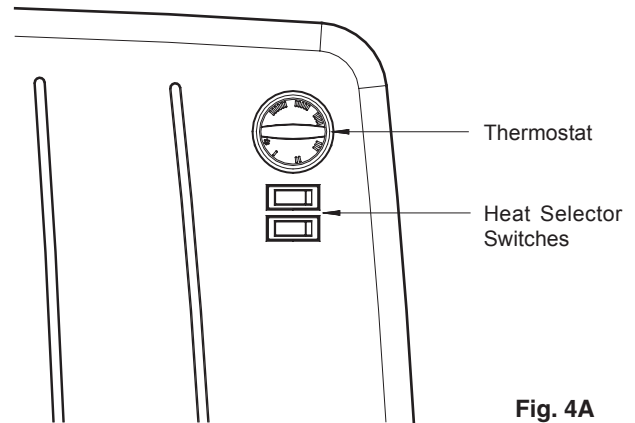


Fig. 4A

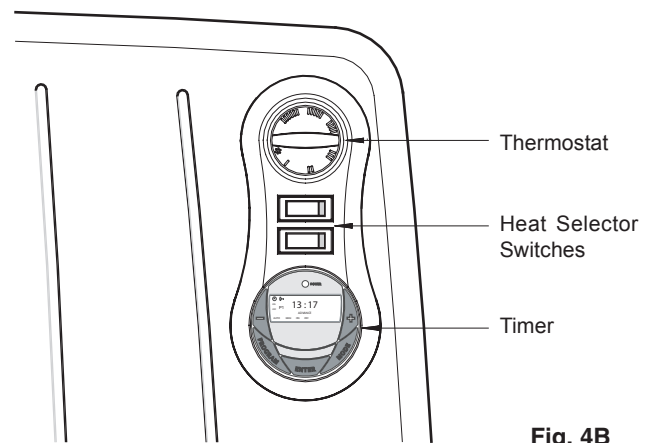


Fig. 4B

Controls

Thermostat

The Thermostat controls the heat output according to the room temperature. This ensures that the heater will not produce heat unnecessarily when the room is warm. To set the temperature you require, turn the thermostat knob clockwise until the required setting is reached. Alternatively to heat a cold room quickly, turn the thermostat knob up fully. When the room has reached the desired temperature, turn the thermostat knob anti-clockwise until the thermostat just clicks off. The heater will now automatically operate at this temperature. The thermostat also has a frost protection setting marked '❄️'. This setting is useful in areas such as garages, to prevent frost damage. If the thermostat is set to its minimum setting '❄️', the heater will cycle on and off to maintain a temperature of approximately 5° to help protect against frost.

Heat Selector Switches

Top Switch - The top switch controls the back panel element. When this switch is illuminated this indicates that the 450W oil panel element is on.

Bottom Switch - The lower switch is used to control the front panel element. When the lower switch is illuminated this indicates that the 550W front panel element is on.

Timer (CVP1T model only)

Note: At least one switch must be in the 'On' position for the heater to operate. - see 'Digital Timer Operation'.



Fig. 5

Digital Timer Operation (CVP1T model only)

IMPORTANT: Remember to observe all safety warnings when operating the heater on auto setting, either attended or unattended.

The timer allows you to select 'AUTO', 'MAN ON' or 'MAN OFF' by pressing the 'MODE' button until the required MODE appears at the bottom of the timer display.

'AUTO' MODE allows the heater to switch ON and OFF according to a set 24 Hour program period (see 'Setting Programs' section below).

'MAN ON' MODE allows power to the heater uninterrupted by the program settings.

'MAN OFF' MODE switches off all heater operation completely.

Key Lock:

If 'ENTER' and 'MODE' are pressed within 1 second, the keys will be locked. The user will know the keys are locked as the lock symbol '0-' will be displayed on the top left hand corner of the screen. To unlock the keypad, press 'ENTER' and then 'MODE' within 1 second.

Initial Operation

For initial use, plug the heater into a regular household power point and turn the power on. The timer is now ready to be set up for use.

Setting Current Time

1. Press the 'PROGRAM' button ONCE. The clock symbol ⌚ appears on the top left hand side of the screen. The user can now set the clock.
2. The hour digit will flash. To adjust the hour use the '-' & '+' buttons. Confirm the hour digit by pressing 'ENTER'.
3. Once 'ENTER' has been pressed the minutes will flash. To adjust the minutes use the '-'& '+' buttons. Confirm the minute digit by pressing 'ENTER'.
4. The timer now returns to the default display.
5. To reset incorrect time, repeat previous steps.

Once the correct time is set, a total of four ON/OFF time programs can be set for operation. There are two program options.

Setting Programmes

Press the 'PROGRAM' key twice to set the programs.

You are now setting the programs starting with P1 'ON'.

SETTING P1 ON TIME:

1. To set the hour use the '-' & '+' buttons. Confirm the hour digit by pressing 'ENTER'.
2. To set the minutes use the '-' & '+' buttons. Confirm the minute digit by pressing 'ENTER'.

Note: The minutes can only be set in 10 minute blocks in programme 'MODE'.

SETTING P1 OFF TIME:

3. To set the hour use the '-' & '+' buttons. Confirm the hour digit by pressing 'ENTER'.
4. To set the minutes use the '-' & '+' buttons. Confirm the minute digit by pressing 'ENTER'.

Repeat steps 1 to 4 to programme P2, P3 & P4. After programming P4 'OFF' you automatically exit to the default display.

At any time while programming the timer you can press the 'PROGRAM' button to exit to the default display.

The Advance Function

When in 'AUTO' MODE, if the '+' button is pressed for longer than 2 seconds the programme will ADVANCE to the next setting programmed and will only revert back to the program when the subsequent programme time is reached. When the 'ADVANCE' function is running the 'ADVANCE' segment will be displayed on the LCD screen. If the '-' button is pressed

when the 'ADVANCE' programme is running the 'ADVANCE' feature will be automatically cancelled and the programme will run as normal.

Note - Timer Memory Back Up Batteries - Once the heater has been left plugged in with the socket switched on for at least 72 hours the timer's memory back up batteries will be fully charged.

Once the timer batteries are fully charged, if there is a power cut or if the heater is disconnected from the mains for less than six months, then the timer will continue to keep time & the settings in the memory will remain intact.

If however the timer back up batteries have not been charged fully, or if the heater is deprived of power for longer than six months, then the time and the programme settings are likely to be lost and you may therefore need to reset the time and the programme before using the AUTO MODE again.

Safety Overheat Protection

The heater is fitted with a thermal safety cut-out which will switch off the heater should it overheat for any reason. If the cut-out operates it is the result of abnormal overheating, and the Customer Services Helpline should be contacted for further advice.

Cleaning

WARNING - ALWAYS DISCONNECT THE POWER SUPPLY BEFORE CLEANING THE HEATER.

Do not use detergents, abrasive cleaning powder or polish of any kind on the body of the heater.

Allow the heater to cool, then wipe with a dry cloth to remove dust and a damp cloth (not wet) to clean off stains. Be careful not to allow moisture in to the heater.

After Sales Service

Your product is guaranteed for three years from the date of purchase.

Within this period, we undertake to repair or exchange this product free of charge provided it has been installed and operated in accordance with these instructions.

Your rights under this guarantee are additional to your statutory rights, which in turn are not affected by this guarantee.

Should you require after sales service you should contact our customer services help desk on 0870 727 0101. It would assist us if you can quote the model number, series, date of purchase, and nature of the fault at the time of your call.

Please do not return a faulty product to us in the first instance as this may result in loss or damage and delay in providing you with a satisfactory service.

The inner panel of this heater is filled with a precise quantity of special oil. Repairs requiring opening of the oil container are only to be made by the manufacturer or its service agent. For further advice if an oil leak is suspected please contact our Customer Services Helpline. Regulations concerning the disposal of oil when scrapping the appliance must be followed.

Please retain your receipt as proof of purchase.



The product complies with the European Safety Standards EN60335-2-30 and the European Standard Electromagnetic Compatibility (EMC) EN55014, EN60555-2 and EN60555-3 which cover the essential requirements of EEC Directives 73/23 and 89/336

Glen Dimplex UK Limited
Millbrook House
Grange Drive
Hedge End
Southampton
Hampshire. SO30 2DF

UK customer help line (8.00AM – 6.00PM Mon-Fri; 8.30AM-1.00PM Sat)

Customer Services: Tel. 0870 7270101

Fax. 0870 7270102

e-mail customer.services@glendimplex.com

Republic of Ireland Tel. 01 8424833