

Air King[®]

Ventilation Products

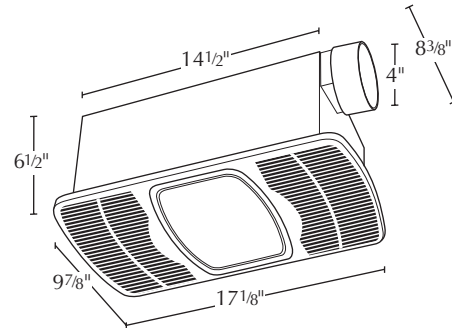
SPECIFICATIONS

AK905

EXHAUST FANS

70 CFM/3.5 SONES @ 0.10" wg.
HVI CERTIFIED 120 Volts, 13.5 amps, 60 hz.

- Grill**
 White, polymeric grill (flame retardant ABS UL rated 94-5V) secured in place using 2 philips head screws easily removed if necessary, dimensions - 17¹/₈" x 9⁷/₈".
- Blower Wheels**
 Heater blower wheel - one piece metal electronically balanced, 3¹/₁₆" x 2" with 28 fins.
 Ventilation blower wheel - one piece polymeric electronically balanced, 3⁷/₈" x 2¹/₂" with 21 fins.
- Motors**
 Heater motor - Heavy duty, plug in 2 pole motor. Life time lubrication, thermally protected.
 Rated 120 volts, 60 hz., 0.90 amps., 2400 rpm.
 Ventilation motor - Heavy duty, plug in 2 pole motor. Life time lubrication, thermally protected.
 Rated 120 volts, 60 hz., 0.90 amps.
- Heater Housing**
 23 gauge galvanized steel housing.
 Dimensions 14¹/₂" x 8³/₈" x 6¹/₂".
- Heating Element**
 Wire coil, secured in place by ceramic "J" shaped hooks and terminated by bolt and nut in cylindrical standoffs. Housed in an all metal enclosure. Rated 1500 watts - 5120 Btu.
- Duct Collar**
 4" round, zinc plated metal collar adapter with aluminum backdraft damper.



UL/CUL/HVI - TYPE IC RATED

- Ventilating Area**
 For bathrooms up to 70 sq. ft. For other rooms up to 85 sq. ft.
- Unit Mounting**
 Designed for ceilings insulated to R-40. Designed to mount in ceilings with at least 7.5" of clearance. The unit will mount between joists (with 16" centers) or butted up against a joist. The housing will mount through drywall thickness up to 3/4", with a rough in opening of 14³/₄" x 8⁵/₈".
- Single Pack Shipping Info**
 Box Dim: 19" x 13³/₈" x 8⁷/₈"
 UPC: 0-8316229611-5
 Shipping Weight: 15 lbs.

PERFORMANCE

	Static Pressure (inches of w.g.)								HVI Sones @ .1 SP	Fan Speed RPM	Power Watts
	0	0.05	0.1	0.125	0.15	0.2	0.25	0.3			
Air Flow - CFM											

PROJECT				ARCHITECT							
LOCATION				ENGINEER							
CONTRACTOR				SUBMITTED BY					DATE		
FAN NUMBER	MODEL NUMBER	CFM	IN W.G.	RPM	WATTS	AMPS	SONES	QTY	OPTIONAL EQUIPMENT & REMARKS		



U.S.: 820 Lincoln Drive
 West Chester, Pennsylvania 19380-4466
 Tel: (877)-304-3785
 Fax: (610) 696-8048

Canada: 110 Glidden Road
 Brampton, Ontario L6T 2J3
 Tel: (905) 456-2033
 Fax: (905) 456-1015