



**AIR-COOLED
SCROLL CONDENSING UNITS
STYLE C**



00096VIP

**YCUL0016 – YCUL0130
15 – 130 TON
53 – 457 kW
R-22 & HFC-407C
60 Hz**

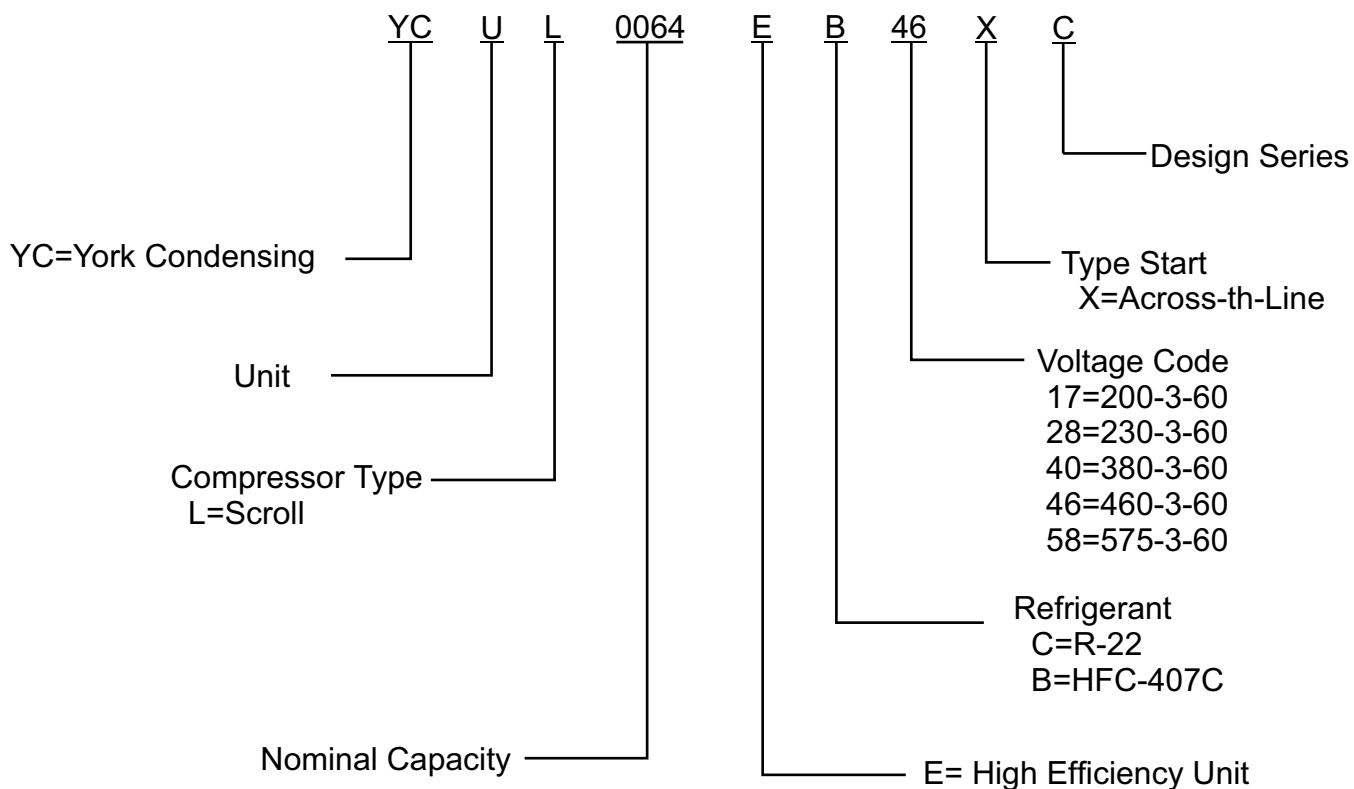


ASHRAE 90.1
COMPLIANT



Table of Contents

Introduction.....	3
Specification.....	4
Options and Accessories.....	7
Selection Data.....	9
Design Parameters.....	16
Ratings - R22 (English Units).....	18
Ratings - R22 (SI Units).....	28
Ratings - HFC-407C (English Units).....	34
Ratings - HFC-407C (SI Units).....	44
Part Load Ratings - R-22 (English Units).....	50
Part Load Ratings - R-22 (SI Units).....	52
Part Load Ratings - HFC-407C (English Units).....	54
Part Load Ratings - HFC-407C (SI Units).....	56
Physical Data - (English Units).....	58
Physical Data - (SI Units).....	60
Dimensions (English Units).....	62
Dimensions - (SI Units).....	78
Electrical Notes.....	102
Electrical Data.....	103
Power Wiring.....	112
Control Wiring.....	114
Application Data.....	116
Guide Specifications.....	117



Introduction



00096VIP

YORK Air-Cooled Scroll Condensing Units are the perfect refrigeration components for all air conditioning applications that use DX central station air handling. They are designed for outdoor (roof or ground level) installation. Each unit includes hermetic scroll compressors, an air cooled condenser, and a weather resistant microprocessor control center, all mounted on a formed steel base.

Specification

GENERAL

The 15 - 130 Ton (53 - 457 kW) YCUL Condensing Unit Models are shipped complete from the factory ready for field installation.

The unit is pressure-tested, evacuated and given a nitrogen holding charge and includes an initial oil charge (R-22 or HFC-407C refrigerant supplied by others). After assembly, a operational test is performed to assure that each control device operates correctly.

The unit structure is heavy-gauge, galvanized steel. This galvanized steel is coated with baked-on powder paint, which, when subjected to ASTM B117 500 hour, salt spray testing, yields a minimum ASTM 1654 rating of "6". Units are designed in accordance with NFPA 70 (National Electric Code), ASHRAE/ANSI 15 Safety code for mechanical refrigeration, and are cETL listed. All units are produced at an ISO 9000-registered facility.

COMPRESSORS

The chiller has suction-gas cooled, hermetic, scroll compressors. The compressors incorporate a compliant scroll design in both the axial and radial direction. All rotating parts of the compressors are statically and dynamically balanced. A large internal volume and oil reservoir provides greater liquid tolerance. Compressor crankcase heaters are also included for extra protection against liquid migration.

CONDENSER

Coils – Fin and tube condenser coils of seamless, internally-enhanced, high-condensing-coefficient, corrosion

resistant copper tubes are arranged in staggered rows, mechanically expanded into aluminum fins. Integral subcooling is included. The design working pressure of the coil is 450 PSIG (31 bar).

Fans – The condenser fans are composed of corrosion-resistant aluminum hub and glass-fiber-reinforced polypropylene composite blades molded into a low noise airfoil section. The are designed for maximum efficiency and are statically and dynamically balanced for vibration free operation. They are directly driven by independent motors, and positioned for vertical air discharge. The fan guards are constructed of heavy-gauge, rust-resistant, coated steel. All blades are statically and dynamically balanced for vibration-free operation.

Motors – The fan motors are Totally Enclosed Air-Over, squirrel-cage type, current protected. They feature ball bearings that are double-sealed and permanently lubricated.

REFRIGERANT CIRCUIT

One (YCUL0016-0040) or two (YCUL0046-0130) independent refrigerant circuits will be finished on each unit. All unit piping will be copper, with brazed joints. The liquid line will include a field connection shutoff valve with charging port located on each condenser circuit. Suction line connections are provided on each refrigeration circuit. A filter drier and sight glass are shipped loose for field installation on each refrigerant circuit.

All expansion valves, liquid line solenoid valves, refrigerant, and refrigerant field piping are supplied by others.

MILLENNIUM CONTROL CENTER

All controls are contained in a NEMA 3R/12 (and equivalent to IP55*) cabinet with hinged outer door and includes:

Liquid Crystal Display with Light Emitting Diode backlighting for outdoor viewing:

- Two display lines
- Twenty characters per line

Color coded 12-button non-tactile keypad with sections for:

DISPLAY/PRINT of typical information:

- Suction temperatures (optional)
- Ambient temperature
- System pressures (each circuit)
- Operating hours and starts (each compressor)

Print calls up to the liquid crystal display:

- Operating data for the systems
- History of fault shutdown data for up to the last six fault shutdown conditions

An RS-232 port, in conjunction with this press-to-print button, is provided to permit the capability of hard copy print-outs via a separate printer (by others).

ENTRY section to:

- ENTER setpoints or modify system values

SETPOINTS updating can be performed to:

- Suction pressure setting
- Suction pressure control zone
- Remote reset temperature range
- Set daily schedule/holiday for start/stop
- Manual override for servicing
- Low and high ambient cutouts
- Number of compressors
- Low suction pressure cutout
- High discharge pressure cutout
- Anti-recycle timer (compressor start cycle time)
- Anti-coincident timer (delay compressor starts)

UNIT section to:

- Set clock
- Set options
 - Set unit option
- Set unit control for Discharge Air Temperature Control or for Suction Pressure Control (requires Suction Pressure Transducers – standard on

YCUL 0076 - 0130 and optional on YCUL0016 - 0066.

UNIT ON/OFF switch

The microprocessor control center is capable of displaying the following:

- Suction temperatures (optional)
- Low ambient temperature cutout setting
- Outdoor air temperature
- English or Metric data
- Suction pressure cutout setting
- Each system suction pressure (optional on 0016 - 0066 models and standard on 0076 - 0130 models)
- System discharge pressure (optional on 0016 - 0090 models and standard on 0096 - 0130 models)
- Discharge Air Temperature Reset via a YORK ISN DDC or Building Automation System (by others) via:
 - a pulse width modulated (PWM) input as standard
 - a 4-20 milliamp or 0 -10 VDC input, or contact closure with the optional B.A.S. interface option
- Anti-recycle timer status for each system
- Anti-coincident system start timer condition
- Compressor run status
- No cooling load condition
- Day, date and time
- Daily start/stop times
- Holiday status
- Automatic or manual system lead/lag control (Discharge Air Temperature control only)
- Automatic lead/lag of compressors within a system
- Compressor starts & operating hours (each compressor)
- Status of hot gas valves, and fan operation
- Run permissive status
- Number of compressors running
- Liquid solenoid valve status
- Load & unload timer status

Specification

Provisions are included for: pumpdown at shutdown; optional remote discharge air temperature reset and two steps of demand load limiting from an external building automation system. Unit alarm contacts are standard.

The operating program is stored in non-volatile memory (EPROM) to eliminate chiller failure due to AC powered failure/battery discharge. Programmed setpoints are retained in lithium battery-backed RTC memory for 5 years minimum.

POWER PANEL

Each panel contains:

- Compressor power terminals
- Compressor motor starting contactors per I.E.C.**
- Control power terminals to accept incoming for 115-1-60 control power
- Fan contactors & overload current protection

The power wiring is routed through liquid-tight conduit to the compressors and fans.

* Intensity of Protection European Standard

** International Electrotechnical Commission

Options and Accessories

POWER OPTIONS:

COMPRESSOR POWER CONNECTIONS – Single-point (YCUL0016-0040) or multiple-point (YCUL0046-0130) terminal block connection(s) are provided as standard. The following power connections are available as options. (See electrical data for specific voltage and options availability.) (Factory-mounted.)

SINGLE-POINT SUPPLY TERMINAL BLOCK – (Available on YCUL0046 - 0090 models (standard on YCUL0016 - 0040 models)). Includes enclosure, terminal-block and interconnecting wiring to the compressors. Separate external protection must be supplied, by others, in the incoming compressor-power wiring. (Do not include this option if either the Single-Point Non-Fused Disconnect Switch or Single-Point Circuit Breaker options have been included.)

SINGLE-POINT OR MULTIPLE-POINT SUPPLY TERMINAL BLOCK(S) WITH INDIVIDUAL SYSTEM BREAKERS - (Available on YCUL0096-0130 models) Includes single- or dual-point terminal block connection(s) with factory interconnecting wiring from the terminal block to factory supplied system circuit breakers.

SINGLE-POINT NON-FUSED DISCONNECT SWITCH (Available on YCUL0016-0090 models) **OR MULTIPLE-POINT NON-FUSED DISCONNECT SWITCHES** (Available on YCUL0096-0130 models) – Unit-mounted disconnect switch(es) with external, lockable handle (in compliance with Article 440-14 of N.E.C.), can be supplied to isolate the unit power voltage for servicing. Separate external fusing must be supplied, by others in the power wiring, which must comply with the National Electrical Code and/or local codes.

SINGLE-POINT NON-FUSED DISCONNECT SWITCH WITH INDIVIDUAL SYSTEM BREAKERS - (Available on YCUL0096-0130 models) Includes unit-mounted disconnect switch with external, lockable handles (in compliance with Article 440-14 of N.E.C.) to isolate unit power voltage for servicing. Factory interconnecting wiring is provided from the disconnect switch to factory supplied system circuit breakers.

SINGLE-POINT CIRCUIT BREAKER – (Available on YCUL0016-0090 models) – A unit mounted circuit breaker with external, lockable handle (in compliance with N.E.C. Article 440-14), can be supplied to isolate the power voltage for servicing. (This option includes the Single-Point Power connection.)

CONTROL TRANSFORMER – Converts unit power voltage to 115-1-60 (0.5 or 1.0 kVA capacity). Factory mounting includes primary- and secondary-wiring between the transformer and

the control panel. (Factory-mounted.)

POWER FACTOR CORRECTION CAPACITORS – Will correct unit compressor power factors to a 0.90-0.95. (Factory mounted).

CONTROL OPTIONS:

AMBIENT KIT (LOW) – (Available on YCUL0016-0090 models only [standard on YCUL0096-0130 models]) Units will operate to 25°F (-4°C). This accessory includes all necessary components to permit condensing unit operation to 0°F (-18°C). (This option includes the Discharge Pressure Transducer / Readout Capability option.) For proper head pressure control in applications below 25°F (-4°C) where wind gusts may exceed 5 mph, it is recommended that Optional Condenser Louvered Enclosure Panels also be included. (Factory-mounted.)

AMBIENT KIT (HIGH) – Required if units are to operate when the ambient temperature is above 115°F (46°C). Includes sun shield panels and discharge pressure transducers. (This option includes the Discharge Pressure Transducer / Readout Capability option). (Field-mounted).

BUILDING AUTOMATION SYSTEM INTERFACE – The factory addition of a Printed Circuit Board to accept a 4-20 milliamp, 0-10VDC or contact closure input to reset the discharge air temperature from a Building Automation System. (Only one of following options can be offered on a unit at a time: BAS, Remote Control Panel or Multi-unit Sequence Control). (Factory mounted).

- (The standard unit capabilities include remote start-stop, remote discharge air temperature reset via a PWM input signal or up to two steps of demand (load) limiting depending on model.)
- (The standard control panel can be directly connected to a YORK Building Automated System via the standard on board RS485 communication port.)

LANGUAGE LCD AND KEYPAD DISPLAY – Spanish, French, German, and Italian unit LCD controls and keypad display available. Standard language is English.

DISCHARGE PRESSURE TRANSDUCERS AND READOUT CAPABILITY – (Available on YCUL0016 - 0090 models only [standard on YCUL0096 - 0130]) The addition of pressure transducers allows models to sense and display discharge pressure. (This option as included with either the low or high ambient kits). (Factory mounted).

SUCTION PRESSURE TRANSDUCERS AND READOUT CAPABILITY – (Available on YCUL0016-0066 models [standard on YCUL0076-0130 models]). The addition of suction transducers allows models to sense and display suction pressure. This option is required for suction pressure control capability on YCUL0016-0066 models. (Factory mounted).

SUCTION TEMPERATURE READOUT – The addition of temperature sensors allow models to sense and display suction

Options and Accessories

temperature. (Factory mounted).

MOTOR CURRENT MODULE – Capable of monitoring compressor motor current. Provides extra protection against compressor reverse rotation, phase-loss and phase imbalance. Option consists of one module per electrical system. (Factory-mounted.)

REMOTE CONTROL PANEL AND WALL ADAPTOR – (Available on the YCUL0016 - 0090 models only) (Only one of following options can be offered on a unit at a time: BAS, Remote Control Panel, OptiView Remote Graphic Panel, or Multi-unit Sequence Control). (Field mounted).

OPTIVIEW REMOTE CONTROL PANEL - Graphical interface panel to remotely control and monitor up to 8 different units. (Refer to form 201.18-SG4 for detailed information).

COMPRESSOR AND PIPING OPTIONS:

CHICAGO CODE RELIEF VALVES – Unit will be provided with relief valves to meet Chicago code requirements. (Factory-mounted).

HOT GAS BY-PASS – Permits continuous, stable operation at capacities below the minimum step of compressor unloading to as low as 5% capacity (depending on both the unit and operating conditions) by introducing an artificial load. Hot gas by-pass is available installed on refrigerant system #1 or on both systems of two circuited units. (Factory mounted).

SERVICE ISOLATION VALVE – Service suction and discharge (ball type) isolation valves are added to unit per system. This option also includes a system high pressure relief valve in compliance with ASHRAE 15. (Factory-mounted.)

CONDENSER AND CABINET OPTIONS:

Condenser coil protection against corrosive environments is available by choosing any of the following options. For additional application recommendations, refer to FORM 150.12-ES1. (Factory-mounted).

PRE-COATED FIN CONDENSER COILS – The air-cooled condenser coils are constructed of black epoxy-coated aluminum fins. This can provide corrosion resistance comparable to copper-fin coils in typical seashore locations. Either these or the post-coated coils (below), are recommended for units being installed at the seashore or where salt spray may hit the unit.

POST-COATED DIPPED CONDENSER COILS – The unit is built with dipped-cured condenser coils. This is another choice for seashore and other corrosive applications (with the exception of strong alkalies, oxidizers and wet bromine, chlorine and fluorine in concentrations

greater than 100 ppm).

COPPER-FIN CONDENSER COILS – The unit constructed with condenser coils which have copper fins. (This is not recommended for units in areas where they may be exposed to acid rain).

ENCLOSURE PANELS (UNIT) – Tamperproof Enclosure Panels prevent unauthorized access to units. Enclosure Panels can provide an aesthetically pleasing alternative to expensive fencing. Additionally, for proper head pressure control, YORK recommends the use of Condenser Louvered Panels for winter applications where wind gusts may exceed five miles per hour. The following types of enclosure panels are available:

WIRE PANELS (Full Unit) – Consists of welded-wire-mesh guards mounted on the exterior of the unit. Prevents unauthorized access, yet provides free air flow. (Factory-mounted).

WIRE/LOUVERED PANELS – Consists of welded-wire-mesh panels on the bottom part of unit and louvered panels on the condenser section of the unit. (Factory-mounted).

LOUVERED PANELS (Condenser Coil Only) – Louvered panels are mounted on the sides and ends of the condenser coils for protection. (Factory-mounted).

LOUVERED PANELS (Full Unit) – Louvered panels surround the front, back, and sides of the unit. These prevent unauthorized access and visually screen unit components. Unrestricted air flow is permitted through generously sized louvered openings. This option is applicable for any outdoor design ambient temperature up to 115°F (46°C). (Factory-mounted).

SOUND ATTENUATION – One or both of the following sound attenuation options are recommended for residential or other similar sound sensitive locations:

COMPRESSOR ACOUSTIC SOUND BLANKET – Each compressor is individually enclosed by an acoustic sound blanket. The sound blankets are made with one layer of acoustical absorbent textile fiber of 5/8" (15mm) thickness; one layer of anti-vibrating heavy material thickness of 1/8" (3mm). Both are closed by two sheets of welded PVC, reinforced for temperature and UV resistance. (Factory-mounted).

LOW SOUND FANS – Lower RPM, 8-pole fan motors are used with steeper-pitch fans. (Factory-mounted).

VIBRATION ISOLATORS – Level adjusting, spring type 1" (25.4mm) or seismic deflection or neoprene pad isolators for mounting under unit base rails. (Field mounted).

Selection Data

The ratings shown on pages 18 through 57 are based on unit operation in a well designed and properly piped system.

SELECTION RULES

1. Capabilities are based on Refrigerant 22 or 407C.
2. Ratings may interpolated, but must not be extrapolated.
3. Ratings shown are at saturated suction temperatures corresponding to pressures at the compressor. In actual practice, suction line pressure drop has the effect of reducing compressor capacity, forcing the compressor to operate at a lower suction pressure to maintain the desired evaporator temperature.

For normal air conditioning applications, size the suction line for a pressure drop of 3 PSI, corresponding to 2°F, for R-22 refrigerant. Thus, the evaporator temperature will be approximately 2°F higher than the compressor suction temperature. Line loss must be taken into consideration when selecting the evaporator.

SELECTION PROCEDURE

The air-cooled condensing unit may be selected from the Ratings on pages 20 through 48, if the ambient air temperature at the condenser and the saturated suction temperature at the compressor are known. The ambient air temperature is a known design parameter, but the suction temperature at the compressor, in many cases, is known only within certain allowable limits. The actual compressor operating suction temperature and the overall performance of the system will depend directly upon the choice of the evaporator. Starting with a preliminary evaporator selection at a nominal evaporator temperature and using data supplied by the evaporator manufacturer, enter the ratings tables and select a unit to meet the required cooling load at a suction temperature at least 2°F below the evaporator temperature. The 2°F

allows for normal suction line loss.

If more accurate selection is required, the evaporator capacity should be plotted against the condensing unit capacity to determine the balanced system performance. Again, it is necessary to factor in the suction line loss.

After the system balance point has been determined, the compressor KW input may be interpolated from the ratings tables.

SAMPLE SELECTION

Select an R-22 Air-Cooled Condensing Unit with a matched central station air handling unit having the following operating conditions:

Design Conditions

1. An air handling unit with four large DX coils (two per circuit) having a total cooling load of 600 MBH (50 tons).
2. The coil suction temperature required 45°F.
3. The design outdoor ambient temperature is 90°F.
4. The power supply is 460V/3 phase/60 HZ.

Selection

1. Enter the YCUL 60 HZ Rating Table (page 20).
2. The model YCUL0056EC will provide 51.3 tons with 48.3 compressor KW input at 90°F ambient air and 43°F suction pressure.
3. Calculate the compressor KW input for the specific design conditions of 50 tons and 90°F ambient air.

$$\text{KW} = \frac{50\text{tons}}{51.3\text{ tons}} \times 48.3\text{ KW} = 47.1\text{ KW}$$

The YCUL0056EC is the suitable selection for the design capacity.

Selection Data

REFRIGERANT PIPING

General – When the unit has been located in its final position, the unit piping may be connected. Normal installation precautions should be observed in order to receive maximum operating efficiencies. System piping should conform to the York DX piping guide form 050.40-ES2 or ASHRAE refrigeration handbook guidelines. All piping design and installation is the responsibility of the user.

YORK ASSUMES NO WARRANTY RESPONSIBILITY FOR SYSTEM OPERATION OR FAILURES DUE TO IMPROPER PIPING OR PIPING DESIGN.

Filter driers and sight glasses are shipped loose for field installation on each refrigerant circuit. Field refrigerant piping can be connected to the condensing unit.

All expansion valves, liquid line solenoid valves, refrigerant and refrigerant piping are supplied and installed by others.

Table 4 lists refrigerant line connections sizes per unit model number.

REFRIGERANT LINE SIZING

Refrigerant piping systems must be designed to provide practical line sizes without excessive pressure drops, prevent compressor oil from being “trapped” in the refrigerant piping, and ensure proper flow of liquid refrigerant to the thermal expansion valve. Considerations should be given to:

- 1) Suction line pressure drop due to refrigerant flow.
- 2) Suction line refrigerant velocity for oil return.
- 3) Liquid line pressure drop due to refrigerant flow.
- 4) Liquid line pressure drop (or gain) due to vertical rise of the liquid line.

Table 5 provides the pressure drops for given pipe sizes for both liquid and suction lines. The pressure drops given are per 100 equivalent ft. (30.5 m) of refrigerant piping. These friction losses do not include any allowances for strainer, filter drier, solenoid valve, isolation valve or fittings

Nominal pressure drop for solenoids, sight glass, and driers are shown in Table 2.

Table 1 includes approximate equivalent lengths for copper fittings.

To ensure a solid column of liquid refrigerant to the expansion valve, the total liquid line pressure drop should

never exceed 40 psi (276 kPa). Refrigerant vapor in the liquid line will measurably reduce valve capacity and poor system performance can be expected.

To allow adequate oil return to the compressor, suction risers should be sized for a minimum of 1000 FPM (5.08 m/s) while the system is operating at minimum capacity to ensure oil return up the suction riser. Refer to Table 5 under column labeled Nominal Tons (KW) Unloaded.

Evaporator Below Condensing Unit

On a system where the evaporator is located below the condensing unit, the suction line must be sized for both pressure drop and oil return. In some cases a double suction riser must be installed to ensure reliable oil return at reduced loads. Table 3 indicates when a double suction riser should be used for listed pipe sizes to provide adequate oil return at reduced loads. The calculated information was based on maintaining a minimum of 1000 fpm (5.08 m/s) refrigerant vapor velocity.

Condenser Below Evaporator

When the condensing unit is located below the evaporator, the liquid line must be designed for both friction loss and static head loss due the vertical rise. The value of static head loss of 5 PSI/ft.(3.4 kPa/30 cm) must be added to the friction loss pressure drop in addition to all pressure drops due to driers, valves, etc.

OIL TRAPS

All horizontal suction lines should be pitched at least 1/4" per foot (2 cm/m) in the direction of the refrigerant flow to aid in the return of oil to the compressor. All suction lines with a vertical rise exceeding 3 feet (.91 meters) should have a “P” trap at the bottom and top of the riser. Suction lines with a vertical rise exceeding 25 feet (7.6 meters) should be trapped every 15 feet (4.6 meters).

REFRIGERANT CHARGE

The condensing unit is charged with a dry nitrogen holding charge. The remaining operating charge for the condensing unit, evaporator coil, and refrigerant piping must be weighed in after all refrigerant piping is installed, leak checked, and evacuated. Final adjustment of refrigerant charge should be verified by subcooling values (refer to section on Pre-Startup for checking subcooling).

REFRIGERANT PIPING REFERENCE

For more details, refer to ASHRAE Refrigeration Handbook, Chapter 2.

TABLE 1 – FITTING EQUIVALENT LENGTHS***COPPER FITTING EQUIVALENT LENGTHS**

LINE SIZE O.D.	SHORT-RADIUS ELL	LONG-RADIUS ELL
3/4" (19mm)	6.5 ft. (2m)	4.5 ft. (1.4m)
7/8" (22mm)	7.8 ft. (2.4m)	5.3 ft. (1.6m)
1-1/8" (29mm)	2.7 ft. (.8m)	1.9 ft. (.6m)
1-3/8" (35mm)	3.2 ft. (1m)	2.2 ft. (.7m)
1-5/8" (41mm)	3.8 ft. (1.2m)	2.6 ft. (.8m)
2-1/8" (54mm)	5.2 ft. (1.6m)	3.4 ft. (1m)
2-5/8" (67mm)	6.5 ft. (20m)	4.2 ft. (1.3m)

TABLE 2 – MISCELLANEOUS LIQUID LINE PRESSURE DROPS

*MISCELLANEOUS LIQUID LINE PRESSURE	
SOLENOID VALVE	2 TO 3 PSI (13.8 TO 20.7 kPa)
FILTER/DRIER	2 TO 3 PSI (13.8 TO 20.7 kPa)
SIGHT GLASS	0.5 PSI (3.4 kPa)

TABLE 4 – REFRIGERANT LINE CONNECTIONS

YCUL REFRIGERANT LINE CONNECTIONS		
MODEL YCUL	SUCTION	LIQUID
0016	1-3/8"	7/8"
0026	1-5/8"	7/8"
0030	2-1/8"	7/8"
0036	2-1/8"	7/8"
0040	2-1/8"	7/8"
0046	2-1/8"	7/8"
0050	2-1/8"	7/8"
0056	2-1/8"	7/8"
0060	2-1/8"	7/8"
0066	2-1/8"	1-1/8"
0076	2-1/8"	1-1/8"
0080	2-1/8"	1-1/8"
0086	2-5/8"	1-1/8"
0090	2-5/8"	1-1/8"
0096	2-5/8"	1-1/8"
0100	2-5/8"	1-3/8"
0106	2-5/8"	1-3/8"
0120	2-5/8"	1-3/8"
0130	2-5/8"	1-3/8"

TABLE 3 – REFRIGERATION PIPING CHARGES

REFRIGERANT LINE CHARGES			
SUCTION LINES		LIQUID LINES	
1-3/8" (35mm)	.2 oz./ft. (6 grams/30cm)	3/4" (19mm)	2.7 oz./ft. (76 grams/30cm)
1-5/8" (41mm)	.3 oz./ft. (8 grams/30 cm)	7/8" (22mm)	3.7 oz./ft. (105 grams/30cm)
2-1/8" (54mm)	.6 oz./ft. (17 grams/30cm)	1-1/8" (29mm)	6.2 oz./ft. (176 grams/30cm)
2-5/8" (67mm)	.8 oz./ft. (23 grams/30cm)	1-3/8" (35mm)	8.6 oz./ft. (244 grams/30cm)

* Pressure drops or equivalent length values are approximate. If more precise value is desired, consult either the York DX Piping Guide (form 050.40-ES2) or ASHRAE Refrigerant Handbook.

Selection Data

TABLE 5 – REFRIGERANT LINE PRESSURE DROPS (ENGLISH)

MODEL NUMBER YCUL	SYSTEM NUMBER	¹ NOMINAL TONS	SUCTION LINE			LIQUID LINE		
			COPPER TYPE L INCHES O.D.	² PRESSURE DROP PSI/100 FT.	VELOCITY @NOMINAL CAPACITY IN FPM	⁴ NOMINAL TONS UNLOADED	COPPER TYPE L INCHES O.D.	³ PRESSURE DROP PSI/100 FT.
0016	1	15	1-5/8	2.5	2400	7.5	3/4	4.5
			⁵ 2-1/8	0.6	1350		7/8	2.1
0026	1	20	1-5/8	4.3	3200	10	3/4	7.7
			⁵ 2-1/8	1.1	1800		7/8	3.5
0030	1	27	1-5/8	7.4	4320	13	7/8	6.1
			2-1/8	1.9	2430		1-1/8	1.7
0036	1	31	2-1/8	2.4	2790	15	7/8	7.9
			⁵ 2-5/8	0.7	1860		1-1/8	2.2
0040	1	39	⁵ 2-1/8	3.7	3510	13	1-1/8	3.4
			⁵ 2-5/8	1.3	2340		1-3/8	1.3
0046	1	21	1-5/8	4.7	3360	10	3/4	8.4
			⁵ 2-1/8	1.2	1890		7/8	3.8
	2	21	1-5/8	4.7	3360	10	3/4	8.4
			⁵ 2-1/8	1.2	1890		7/8	3.8
0050	1	27	1-5/8	7.4	4320	13	7/8	6.1
			2-1/8	1.9	2430		1-1/8	1.7
	2	21	1-5/8	4.7	3360	10	3/4	8.4
			⁵ 2-1/8	1.2	1890		7/8	3.8
0056	1	27	1-5/8	7.4	4320	13	7/8	6.1
			2-1/8	1.9	2430		1-1/8	1.7
	2	27	1-5/8	7.4	4320	13	7/8	6.1
			2-1/8	1.9	2430		1-1/8	1.7
0060	1	30	2-1/8	2.3	2700	15	7/8	7.4
			⁵ 2-1/8	0.8	1800		1-1/8	3.8
	2	27	1-5/8	7.4	4320	13	7/8	6.1
			2-1/8	1.9	2430		1-1/8	1.7
0066	1	31	2-1/8	2.4	2790	15	7/8	7.9
			⁵ 2-5/8	0.9	1860		1-1/8	2.2
	2	31	2-1/8	2.4	2790	15	7/8	7.9
			⁵ 2-5/8	0.9	1860		1-1/8	2.2

TABLE 5 – REFRIGERANT LINE PRESSURE DROPS (ENGLISH)

MODEL NUMBER YCUL00	SYSTEM NUMBER	1NOMINAL TONS	SUCTION LINE			LIQUID LINE		
			COPPER TYPE L INCHES O.D.	2PRESSURE DROP PSI/100 FT.	VELOCITY @NOMINAL CAPACITY IN FPM	4NOMINAL TONS UNLOADED	COPPER TYPE L INCHES O.D.	3PRESSURE DROP PSI/100 FT.
0076	1	40	2-1/8	3.9	3600	13	1-1/8	3.6
			52-5/8	1.4	2400		1-3/8	1.4
	2	31	52-1/8	2.4	2790	10	7/8	7.9
			52-5/8	.9	1860		1-1/8	2.2
0080	1	39	2-1/8	3.7	3510	13	1-1/8	3.4
			52-5/8	1.3	2340		1-3/8	1.3
	2	39	2-1/8	3.7	351	13	1-1/8	3.4
			52-5/8	1.3	2340		1-3/8	1.3
0086	1	45	2-1/8	4.9	4050	15	1-1/8	4.4
			52-5/8	1.7	2700		1-3/8	1.7
	2	39	2-1/8	3.7	3510	13	1-1/8	3.4
			52-5/8	1.3	2340		1-3/8	1.4
0090	1	45	2-1/8	4.9	4050	15	1-1/8	4.4
			52-5/8	1.7	2700		1-3/8	1.7
	2	45	2-1/8	4.9	4050	15	1-1/8	4.4
			52-5/8	1.7	2700		1-3/8	1.7
0096	1	50	2 5/8	2.1	3000	25	5.4	5.4
			3 1/8	0.9	2200		2.1	2.1
	2	41	2 1/8	4.1	3690		3.7	3.7
			2 5/8	1.4	2460		1.4	1.4
0100	1	49	2 5/8	2	2940	25	5.2	5.2
			3 1/8	0.9	2156		2	2
	2	49	2 5/8	2	2940		5.2	5.2
			3 1/8	0.9	2156		2	2
0106	1	59	2 5/8	2.8	3540	20	7.3	7.3
			3 1/8	1.2	2596		2.8	2.8
	2	50	2 5/8	2.1	3000		5.4	5.4
			5 3 1/8	0.9	2200		2.1	2.1
0120	1	61	2 5/8	3	3660	20	7.8	7.8
			5 3 1/8	1.3	2684		3	3
	2	61	2 5/8	3	3660		7.8	7.8
			5 3 1/8	1.3	2684		3	3
0130	1	74	2 5/8	4.3	4440	25	4.3	4.3
			3 1/8	1.9	3256		1.6	1.6
	2	60	2 5/8	2.9	3600		7.6	7.6
			3 1/8	1.3	2640		2.9	2.9

Selection Data

TABLE 5 – REFRIGERANT LINE PRESSURE DROPS (METRIC)

MODEL NUMBER YCU L	SYSTEM NUMBER	1NOMINAL KW	SUCTION LINE			LIQUID LINE		
			COPPER TYPE L INCHES O.D.	2PRESSURE DROP kPa/30.5 m	VELOCITY @NOMINAL CAPACITY IN M/S	4NOMINAL KW UNLOADED	COPPER TYPE L INCHES O.D.	3PRESSURE DROP kPa/30.5 m
0016	1	53	1-5/8	17.2	2400	26	3/4	31.0
			52-1/8	4.1	1350		7/8	14.5
0026	1	70	1-5/8	29.6	3200	35	3/4	53.0
			52-1/8	7.6	1800		7/8	24.1
0030	1	95	1-5/8	51.0	4320	46	7/8	42.1
			2-1/8	13.0	2430		1-1/8	11.7
0036	1	109	2-1/8	16.5	2790	53	7/8	54.5
			52-5/8	4.8	1860		1-1/8	15.2
0040	1	137	52-1/8	25.5	3510	46	1-1/8	23.4
			52-5/8	9.0	2340		1-3/8	9.0
0046	1	74	1-5/8	32.4	3360	35	3/4	58.0
			52-1/8	8.3	1890		7/8	26.2
	2	74	1-5/8	32.4	3360	35	3/4	58.0
			52-1/8	8.3	1890		7/8	26.2
0050	1	95	1-5/8	51.0	4320	46	7/8	42.1
			2-1/8	13.1	2430		1-1/8	11.7
	2	74	1-5/8	32.4	3360	35	3/4	58.0
			52-1/8	8.3	1890		7/8	26.2
0056	1	95	1-5/8	51.0	4320	46	7/8	42.1
			2-1/8	13.1	2430		1-1/8	11.7
	2	95	1-5/8	51.0	4320	46	7/8	42.1
			2-1/8	13.1	2430		1-1/8	11.7
0060	1	105	2-1/8	15.6	2700	53	7/8	51.0
			52-1/8	5.5	1800		1-1/8	26.2
	2	95	1-5/8	51.0	4320	46	7/8	42.1
			2-1/8	13.1	2430		1-1/8	11.7
0066	1	109	2-1/8	16.5	2790	53	7/8	54.5
			52-5/8	6.2	1860		1-1/8	15.2
	2	109	2-1/8	16.5	2790	53	7/8	54.5
			52-5/8	6.2	1860		1-1/8	15.2
0076	1	141	2-1/8	26.9	18.3	46	1-1/8	24.8
			52-5/8	9.7	12.2		1-3/8	9.7
	2	109	52-1/8	16.5	14.2	35	7/8	54.5
			52-5/8	6.2	9.4		1-1/8	15.2
0080	1	137	2-1/8	25.5	17.8	46	1-1/8	23.4
			52-5/8	9.0	11.9		1-3/8	9.0
	2	137	2-1/8	25.5	17.8	46	1-1/8	23.4
			52-5/8	9.0	11.9		1-3/8	9.0
0086	1	158	2-1/8	33.8	20.6	53	1-1/8	30.3
			52-5/8	11.7	13.7		1-3/8	11.7
	2	137	2-1/8	25.5	17.8	46	1-1/8	23.4
			52-5/8	9.0	11.9		1-3/8	9.7

TABLE 5 – REFRIGERANT LINE PRESSURE DROPS (METRIC)

MODEL NUMBER YCU L	SYSTEM NUMBER	¹ NOMINAL KW	SUCTION LINE			LIQUID LINE		
			COPPER TYPE L INCHES O.D.	² PRESSURE DROP kPa/30.5 m	VELOCITY @NOMINAL CAPACITY IN M/S	⁴ NOMINAL KW UNLOADED	COPPER TYPE L INCHES O.D.	³ PRESSURE DROP kPa/30.5 m
0090	1	158	2-1/8	33.8	20.6	53	1-1/8	30.3
			⁵ 2-5/8	11.7	13.7		1-3/8	11.7
	2	158	2-1/8	33.8	20.6	53	1-1/8	30.3
			⁵ 2-5/8	11.7	13.8		1-3/8	11.7
0096	1	175.7	2 5/8	14.5	914	87.9	1 1/8	37.2
			3 1/8	6.2	671		1 3/8	14.5
	2	144.1	2 1/8	28.3	1125		1 1/8	25.5
			2 5/8	9.7	750		1 3/8	9.7
0100	1	172.2	2 5/8	13.8	896	87.9	1 1/8	35.9
			3 1/8	6.2	657		1 3/8	13.8
	2	172.2	2 5/8	13.8	896		1 1/8	35.9
			3 1/8	6.2	657		1 3/8	13.8
0106	1	207.4	2 5/8	19.3	1079	70.3	1 1/8	50.3
			3 1/8	8.3	791		1 3/8	19.3
	2	175.7	2 5/8	14.5	914		1 1/8	37.2
			⁵ 3 1/8	6.2	671		1 3/8	14.5
0120	1	214.4	2 5/8	20.7	1116	70.3	1 1/8	53.8
			⁵ 3 1/8	9.0	818		1 3/8	20.7
	2	214.4	2 5/8	20.7	1116		1 1/8	53.8
			⁵ 3 1/8	9.0	818		1 3/8	20.7
0130	1	260.1	2 5/8	29.6	1353	87.9	1 3/8	29.6
			3 1/8	13.1	992		1 5/8	11.0
	2	210.9	2 5/8	20.0	1097		1 1/8	52.4
			3 1/8	9.0	805		1 3/8	20.0

REFRIGERANT PIPING NOTES

- Based on R-22 at the nominal capacity of the unit or system, an ambient temperature of 95°F (35°C) and a suction temperature of 45°F (7.2°C).
- Suction line sizes were calculated based on a nominal maximum pressure drop to 3 PSI/100 ft. (20.7 kPa/30.5 m). When calculating suction line pressure drop for a specific application, it should be noted that system capacity decreases as suction line pressure drop increases.
- Liquid pressure drop (or gain) due to a vertical liquid line is not included in the tables and must be taken into account when determining pressure drop (or gain) of the liquid line. The nominal value that must be included in the liquid line loss (or gain) is .5 PSI/foot (3.4 kPa/30 cm) of rise (or gain). To ensure a solid column of liquid refrigerant to the expansion valve, the total maximum pressure drop of the liquid line should not exceed 40 PSI (276 kPa) based on 15°F (8.3°C) subcooled liquid. Vapor in the liquid line, even in small amounts, will measurably reduce valve capacity and poor system performance will result. In addition, pressure loss for strainers, filter driers, solenoid valves, and isolation valve or fittings are not included in this table, and must be taken into account.
- Nominal Tons (KW) Unloaded is based on one compressor (per system) operating at design conditions.
- Based on minimum compressor staging for the given pipe size, a double suction riser should be used to ensure proper oil return to the compressor on all vertical suction risers. Oil returning up the riser moves up the inner surface of the pipe and depends on the mass velocity of the refrigerant vapor at the wall surface to move the oil up the vertical rise.
- Hot gas bypass lines are typically 7/8" for lines up to 40 feet and 1-1/8" for lines over 40 feet in length (12 meters). The field connections sizes are 7/8" for the optional factory mounted hot gas bypass valve. Note: Hot gas bypass is only available for refrigerant system number 1.
- For more information, please refer to either the York DX Piping Guide (form 050.40-ES2) or the ASHRAE Refrigeration Handbook.

Design Parameters

ENGLISH UNITS

YCUL	SUCTION TEMPERATURE (°F)		AIR ON CONDENSER (°F)	
	MIN ¹	MAX ¹	MIN ²	MAX ³
0016	35	55	0	125
0026	35	55	0	125
0030	35	55	0	125
0036	35	55	0	125
0040	35	55	0	125
0046	35	55	0	125
0050	35	55	0	125
0056	35	55	0	125
0060	35	55	0	125
0066	35	55	0	125
0076	35	55	0	125
0080	35	55	0	125
0086	35	55	0	125
0090	35	55	0	125
0096	35	55	0	125
0100	35	55	0	125
0106	35	55	0	125
0120	35	55	0	125
0130	35	55	0	125

NOTES:

1. For lower or higher suction temperature applications, contact your nearest YORK Office for application requirements.
2. For operation at temperatures below 25°F (-3.9°C), the optional Low Ambient Kit will need to be installed on the system (For YCUL0016 - 0090 models only).
3. For operation at temperatures above 115°F (46.1°C), the optional High Ambient Kit will need to be installed on the system.

SI UNITS

YCUL	SUCTION TEMPERATURE (°C)		AIR ON CONDENSER (°C)	
	MIN ¹	MAX ¹	MIN ²	MAX ³
0016	1.7	12.8	-17.7	51.7
0026	1.7	12.8	-17.7	51.7
0030	1.7	12.8	-17.7	51.7
0036	1.7	12.8	-17.7	51.7
0040	1.7	12.8	-17.7	51.7
0046	1.7	12.8	-17.7	51.7
0050	1.7	12.8	-17.7	51.7
0056	1.7	12.8	-17.7	51.7
0060	1.7	12.8	-17.7	51.7
0066	1.7	12.8	-17.7	51.7
0076	1.7	12.8	-17.7	51.7
0080	1.7	12.8	-17.7	51.7
0086	1.7	12.8	-17.7	51.7
0090	1.7	12.8	-17.7	51.7
0096	1.7	12.8	-17.7	51.7
0100	1.7	12.8	-17.7	51.7
0106	1.7	12.8	-17.7	51.7
0120	1.7	12.8	-17.7	51.7
0130	1.7	12.8	-17.7	51.7

Ratings - R22 (English Units)

YCUL0016EC

SST (°F)	AIR TEMPERATURE ON CONDENSER (°F)																	
	75°F			80°F			85°F			90°F			95°F			100°F		
	TONS	KW	EER	TONS	KW	EER	TONS	KW	EER	TONS	KW	EER	TONS	KW	EER	TONS	KW	EER
35.0	14.0	10.9	12.2	13.6	11.5	11.4	13.3	12.2	10.6	13.0	12.9	9.9	12.6	13.6	9.2	12.3	14.5	8.5
37.0	14.5	11.0	12.6	14.2	11.6	11.8	13.8	12.3	11.0	13.5	13.0	10.2	13.1	13.7	9.5	12.8	14.5	8.8
39.0	15.1	11.1	13.0	14.7	11.7	12.2	14.3	12.3	11.4	14.0	13.0	10.6	13.6	13.8	9.8	13.3	14.6	9.1
41.0	15.6	11.1	13.5	15.2	11.7	12.6	14.9	12.4	11.7	14.5	13.1	10.9	14.1	13.9	10.2	13.8	14.7	9.4
43.0	16.2	11.2	13.9	15.8	11.8	13.0	15.4	12.5	12.1	15.0	13.2	11.3	14.7	14.0	10.5	14.3	14.8	9.7
45.0	16.8	11.3	14.3	16.4	11.9	13.4	16.0	12.6	12.5	15.6	13.3	11.6	15.2	14.1	10.8	14.8	14.9	10.1
47.0	17.4	11.4	14.7	17.0	12.0	13.8	16.6	12.7	12.9	16.2	13.4	12.0	15.8	14.1	11.2	15.4	15.0	10.4
49.0	18.1	11.5	15.2	17.6	12.1	14.2	17.2	12.8	13.3	16.8	13.5	12.4	16.3	14.2	11.5	15.9	15.1	10.7
51.0	18.7	11.6	15.6	18.2	12.2	14.6	17.8	12.9	13.6	17.4	13.6	12.7	16.9	14.4	11.9	16.5	15.2	11.0
53.0	19.4	11.7	16.1	18.9	12.3	15.0	18.5	13.0	14.0	18.0	13.7	13.1	17.6	14.5	12.2	17.1	15.3	11.3
55.0	20.1	11.8	16.5	19.6	12.4	15.5	19.1	13.1	14.5	18.7	13.8	13.5	18.2	14.6	12.6	17.7	15.4	11.7

YCUL0026EC

SST (°F)	AIR TEMPERATURE ON CONDENSER (°F)																	
	75°F			80°F			85°F			90°F			95°F			100°F		
	TONS	KW	EER	TONS	KW	EER	TONS	KW	EER	TONS	KW	EER	TONS	KW	EER	TONS	KW	EER
35.0	19.4	15.6	12.7	19.0	16.5	11.8	18.5	17.5	10.9	18.0	18.5	10.1	17.4	19.6	9.3	16.9	20.7	8.6
37.0	20.2	15.7	13.1	19.7	16.6	12.1	19.1	17.6	11.2	18.6	18.7	10.4	18.1	19.7	9.6	17.6	20.9	8.9
39.0	20.9	15.8	13.4	20.4	16.8	12.5	19.8	17.8	11.6	19.3	18.8	10.7	18.8	19.9	9.9	18.2	21.0	9.2
41.0	21.6	16.0	13.8	21.1	16.9	12.9	20.6	17.9	11.9	20.0	18.9	11.0	19.4	20.0	10.2	18.9	21.2	9.4
43.0	22.4	16.1	14.2	21.9	17.0	13.2	21.3	18.0	12.3	20.7	19.1	11.4	20.1	20.2	10.5	19.5	21.3	9.7
45.0	23.2	16.2	14.6	22.6	17.2	13.6	22.0	18.2	12.6	21.4	19.2	11.7	20.8	20.3	10.8	20.2	21.5	10.0
47.0	24.0	16.4	15.0	23.4	17.3	14.0	22.8	18.3	12.9	22.2	19.4	12.0	21.6	20.5	11.1	20.9	21.7	10.3
49.0	24.8	16.5	15.4	24.2	17.5	14.3	23.6	18.5	13.3	22.9	19.5	12.3	22.3	20.7	11.4	21.6	21.8	10.5
51.0	25.6	16.7	15.8	25.0	17.6	14.7	24.4	18.6	13.6	23.7	19.7	12.6	23.0	20.8	11.7	22.4	22.0	10.8
53.0	26.5	16.9	16.2	25.8	17.8	15.1	25.2	18.8	14.0	24.5	19.9	13.0	23.8	21.0	12.0	23.1	22.2	11.1
55.0	27.4	17.0	16.5	26.7	18.0	15.4	26.0	19.0	14.3	25.3	20.0	13.3	24.6	21.2	12.3	23.9	22.4	11.4

YCUL0030EC

SST (°F)	AIR TEMPERATURE ON CONDENSER (°F)																	
	75°F			80°F			85°F			90°F			95°F			100°F		
	TONS	KW	EER	TONS	KW	EER	TONS	KW	EER	TONS	KW	EER	TONS	KW	EER	TONS	KW	EER
35.0	23.9	19.7	12.7	23.3	20.7	11.9	22.8	21.9	11.1	22.2	23.0	10.3	21.6	24.3	9.6	21.0	25.6	8.9
37.0	24.8	19.9	13.1	24.2	20.9	12.3	23.7	22.0	11.4	23.1	23.2	10.6	22.4	24.5	9.9	21.8	25.8	9.1
39.0	25.7	20.0	13.5	25.1	21.1	12.6	24.5	22.2	11.8	23.9	23.4	11.0	23.3	24.6	10.2	22.6	26.0	9.4
41.0	26.6	20.2	13.9	26.0	21.2	13.0	25.4	22.3	12.1	24.8	23.5	11.3	24.1	24.8	10.5	23.4	26.2	9.7
43.0	27.6	20.4	14.3	26.9	21.4	13.4	26.3	22.5	12.5	25.7	23.7	11.6	25.0	25.0	10.8	24.3	26.4	10.0
45.0	28.5	20.6	14.7	27.9	21.6	13.7	27.2	22.7	12.8	26.6	23.9	12.0	25.9	25.2	11.1	25.1	26.5	10.3
47.0	29.5	20.8	15.0	28.9	21.8	14.1	28.2	22.9	13.2	27.5	24.0	12.3	26.8	25.3	11.4	26.0	26.7	10.6
49.0	30.6	21.0	15.4	29.9	21.9	14.5	29.2	23.0	13.5	28.4	24.2	12.6	27.7	25.5	11.7	26.9	26.9	10.9
51.0	31.6	21.2	15.8	30.9	22.1	14.9	30.1	23.2	13.9	29.4	24.4	13.0	28.6	25.7	12.0	27.8	27.1	11.2
53.0	32.7	21.4	16.2	31.9	22.3	15.2	31.2	23.4	14.3	30.4	24.6	13.3	29.6	25.9	12.4	28.8	27.3	11.5
55.0	33.7	21.6	16.6	33.0	22.6	15.6	32.2	23.6	14.6	31.4	24.8	13.6	30.6	26.1	12.7	29.7	27.5	11.8

YCUL0036EC

SST (°F)	AIR TEMPERATURE ON CONDENSER (°F)																	
	75°F			80°F			85°F			90°F			95°F			100°F		
	TONS	KW	EER	TONS	KW	EER	TONS	KW	EER	TONS	KW	EER	TONS	KW	EER	TONS	KW	EER
35.0	28.9	23.9	13.0	28.2	25.3	12.0	27.5	26.8	11.2	26.8	28.3	10.3	26.1	30.0	9.5	25.4	31.7	8.8
37.0	29.9	24.1	13.3	29.2	25.5	12.4	28.5	27.0	11.5	27.8	28.5	10.6	27.1	30.2	9.8	26.3	32.0	9.1
39.0	31.0	24.3	13.7	30.3	25.7	12.7	29.6	27.2	11.8	28.8	28.8	11.0	28.1	30.4	10.1	27.3	32.2	9.4
41.0	32.1	24.6	14.1	31.4	26.0	13.1	30.6	27.4	12.2	29.9	29.0	11.3	29.1	30.7	10.4	28.3	32.4	9.6
43.0	33.2	24.8	14.4	32.5	26.2	13.4	31.7	27.7	12.5	30.9	29.2	11.6	30.1	30.9	10.7	29.3	32.7	9.9
45.0	34.4	25.1	14.8	33.6	26.4	13.8	32.8	27.9	12.8	32.0	29.5	11.9	31.2	31.2	11.0	30.3	32.9	10.2
47.0	35.5	25.3	15.2	34.7	26.7	14.1	33.9	28.2	13.2	33.1	29.7	12.2	32.3	31.4	11.3	31.4	33.2	10.5
49.0	36.7	25.6	15.5	35.9	27.0	14.5	35.1	28.4	13.5	34.2	30.0	12.5	33.4	31.7	11.6	32.5	33.5	10.7
51.0	37.9	25.9	15.9	37.1	27.2	14.8	36.2	28.7	13.8	35.4	30.3	12.8	34.5	32.0	11.9	33.6	33.8	11.0
53.0	39.2	26.2	16.2	38.3	27.5	15.2	37.4	29.0	14.1	36.6	30.6	13.1	35.6	32.3	12.2	34.7	34.1	11.3
55.0	40.4	26.5	16.6	39.5	27.8	15.5	38.6	29.3	14.4	37.7	30.9	13.4	36.8	32.6	12.5	35.8	34.4	11.6

NOTES:

1. SST = Saturated Suction Temperature
2. kW = Compressors Input Power
3. EER = Condensing Unit EER (includes power from compressors, fans and the control panel)

YCUL0016EC

SST (°F)	105°F			110°F			115°F			120°F			125°F		
	TONS	KW	EER	TONS	KW	EER	TONS	KW	EER	TONS	KW	EER	TONS	KW	EER
35.0	12.0	15.3	7.9	11.6	16.2	7.3	11.2	17.2	6.7	10.8	18.2	6.2	5.4	8.6	5.6
37.0	12.4	15.4	8.2	12.0	16.3	7.6	11.6	17.3	7.0	11.2	18.3	6.4	5.6	8.7	5.9
39.0	12.9	15.5	8.5	12.5	16.4	7.8	12.1	17.4	7.2	11.6	18.4	6.6	5.8	8.7	6.1
41.0	13.4	15.6	8.7	13.0	16.5	8.1	12.6	17.4	7.4	12.1	18.5	6.8	6.1	8.7	6.3
43.0	13.9	15.7	9.0	13.5	16.6	8.3	13.0	17.5	7.7	12.6	18.5	7.1	6.3	8.7	6.6
45.0	14.4	15.7	9.3	14.0	16.7	8.6	13.5	17.6	7.9	13.0	18.6	7.3	6.5	8.7	6.8
47.0	14.9	15.8	9.6	14.5	16.8	8.9	14.0	17.7	8.2	13.5	18.7	7.5	6.8	8.8	7.1
49.0	15.5	15.9	9.9	15.0	16.9	9.2	14.5	17.8	8.5	14.0	18.8	7.8	7.1	8.8	7.3
51.0	16.1	16.0	10.2	15.6	17.0	9.5	15.1	17.9	8.7	14.5	19.0	8.0	7.3	8.8	7.6
53.0	16.6	16.2	10.5	16.1	17.1	9.7	15.6	18.1	9.0	7.9	8.4	8.5	7.6	8.9	7.8
55.0	17.2	16.3	10.8	16.7	17.2	10.0	16.2	18.2	9.3	8.2	8.4	8.8	7.9	8.9	8.1

YCUL0026EC

SST (°F)	105°F			110°F			115°F			120°F			125°F		
	TONS	KW	EER	TONS	KW	EER	TONS	KW	EER	TONS	KW	EER	TONS	KW	EER
35.0	16.4	21.9	8.0	15.9	23.2	7.3	15.3	24.5	6.7	14.8	25.8	6.2	7.5	11.9	6.1
37.0	17.0	22.1	8.2	16.5	23.3	7.6	15.9	24.6	7.0	15.3	26.0	6.4	7.8	12.0	6.3
39.0	17.6	22.2	8.5	17.1	23.5	7.8	16.5	24.8	7.2	15.9	26.2	6.6	8.1	12.0	6.6
41.0	18.3	22.4	8.7	17.7	23.7	8.0	17.1	25.0	7.4	16.5	26.4	6.8	8.4	12.1	6.8
43.0	18.9	22.6	9.0	18.3	23.8	8.3	17.7	25.2	7.6	17.1	26.6	7.0	8.7	12.1	7.0
45.0	19.6	22.7	9.2	19.0	24.0	8.5	18.3	25.3	7.8	17.7	26.7	7.2	9.1	12.2	7.3
47.0	20.3	22.9	9.5	19.6	24.2	8.7	19.0	25.5	8.0	18.3	26.9	7.4	9.4	12.2	7.5
49.0	21.0	23.1	9.7	20.3	24.4	9.0	19.6	25.7	8.3	10.1	11.6	8.4	9.7	12.3	7.7
51.0	21.7	23.2	10.0	21.0	24.6	9.2	20.3	25.9	8.5	10.4	11.7	8.7	10.1	12.3	8.0
53.0	22.4	23.4	10.3	21.7	24.7	9.5	21.0	26.1	8.7	10.8	11.7	8.9	10.4	12.4	8.2
55.0	23.1	23.6	10.5	22.4	24.9	9.7	21.7	26.3	8.9	11.2	11.8	9.2	10.8	12.4	8.5

YCUL0030EC

SST (°F)	105°F			110°F			115°F			120°F			125°F		
	TONS	KW	EER	TONS	KW	EER	TONS	KW	EER	TONS	KW	EER	TONS	KW	EER
35.0	20.4	27.1	8.2	19.7	28.6	7.5	19.0	30.2	6.9	18.2	31.9	6.3	17.5	33.7	5.7
37.0	21.1	27.3	8.4	20.5	28.8	7.8	19.7	30.4	7.1	19.0	32.1	6.5	18.2	33.9	5.9
39.0	21.9	27.4	8.7	21.2	29.0	8.0	20.5	30.6	7.4	19.7	32.3	6.7	10.0	15.1	6.7
41.0	22.7	27.6	9.0	22.0	29.2	8.3	21.3	30.8	7.6	20.5	32.5	7.0	10.3	15.2	6.9
43.0	23.6	27.8	9.2	22.8	29.3	8.5	22.0	31.0	7.8	21.2	32.7	7.2	10.7	15.2	7.2
45.0	24.4	28.0	9.5	23.6	29.5	8.8	22.8	31.2	8.1	22.0	32.9	7.4	11.2	15.3	7.4
47.0	25.3	28.2	9.8	24.5	29.8	9.0	23.7	31.4	8.3	22.8	33.2	7.6	11.6	15.3	7.7
49.0	26.1	28.4	10.1	25.3	29.9	9.3	24.5	31.6	8.5	23.6	33.4	7.8	12.0	15.4	7.9
51.0	27.0	28.6	10.3	26.2	30.2	9.5	25.4	31.8	8.8	24.5	33.6	8.1	12.4	15.4	8.2
53.0	27.9	28.8	10.6	27.1	30.4	9.8	26.2	32.0	9.0	25.3	33.8	8.3	12.9	15.5	8.5
55.0	28.9	29.0	10.9	28.0	30.6	10.1	27.1	32.3	9.3	13.8	14.7	9.5	13.3	15.5	8.7

YCUL0036EC

SST (°F)	105°F			110°F			115°F			120°F			125°F		
	TONS	KW	EER	TONS	KW	EER	TONS	KW	EER	TONS	KW	EER	TONS	KW	EER
35.0	24.6	33.5	8.1	23.9	35.4	7.5	23.1	37.4	6.9	22.3	39.5	6.3	11.2	18.6	6.3
37.0	25.5	33.8	8.4	24.8	35.7	7.7	24.0	37.7	7.1	23.2	39.8	6.5	11.6	18.6	6.5
39.0	26.5	34.0	8.6	25.7	36.0	8.0	24.9	38.0	7.3	12.5	17.7	7.3	12.1	18.7	6.7
41.0	27.5	34.3	8.9	26.6	36.2	8.2	25.8	38.3	7.5	13.0	17.8	7.6	12.5	18.8	7.0
43.0	28.5	34.5	9.1	27.6	36.5	8.4	26.7	38.5	7.8	13.5	17.9	7.8	13.0	18.9	7.2
45.0	29.5	34.8	9.4	28.6	36.8	8.7	27.7	38.8	8.0	14.0	18.0	8.1	13.5	19.0	7.4
47.0	30.5	35.1	9.7	29.6	37.1	8.9	28.7	39.1	8.2	14.5	18.0	8.3	14.0	19.1	7.7
49.0	31.5	35.4	9.9	30.6	37.4	9.1	29.6	39.4	8.4	15.0	18.1	8.6	14.5	19.2	7.9
51.0	32.6	35.7	10.2	31.7	37.7	9.4	30.7	39.8	8.6	15.5	18.2	8.9	15.0	19.3	8.2
53.0	33.7	36.0	10.4	32.7	38.0	9.6	16.6	17.3	9.9	16.1	18.3	9.1	15.6	19.4	8.4
55.0	34.8	36.3	10.7	33.8	38.3	9.9	17.2	17.4	10.2	16.7	18.4	9.4	16.1	19.5	8.7

NOTES:

1. SST = Saturated Suction Temperature
2. kW = Compressors Input Power
3. EER = Condensing Unit EER (includes power from compressors, fans and the control panel)

Ratings - R22 (English Units)

YCUL0040EC

SST (°F)	AIR TEMPERATURE ON CONDENSER (°F)																	
	75°F			80°F			85°F			90°F			95°F			100°F		
	TONS	KW	EER	TONS	KW	EER	TONS	KW	EER	TONS	KW	EER	TONS	KW	EER	TONS	KW	EER
35.0	35.1	30.9	12.5	34.3	32.6	11.6	33.5	34.3	10.8	32.6	36.2	10.0	31.6	38.2	9.3	30.7	40.4	8.5
37.0	36.4	31.2	12.9	35.6	32.8	12.0	34.7	34.6	11.1	33.8	36.5	10.3	32.8	38.5	9.5	31.8	40.7	8.8
39.0	37.7	31.5	13.2	36.8	33.1	12.3	35.9	34.9	11.4	35.0	36.8	10.6	34.0	38.8	9.8	33.0	41.0	9.0
41.0	39.1	31.7	13.6	38.2	33.4	12.6	37.2	35.2	11.7	36.2	37.1	10.9	35.2	39.2	10.1	34.2	41.3	9.3
43.0	40.5	32.0	13.9	39.5	33.7	13.0	38.5	35.5	12.1	37.5	37.4	11.2	36.4	39.5	10.3	35.4	41.7	9.5
45.0	41.9	32.4	14.3	40.9	34.0	13.3	39.8	35.8	12.4	38.8	37.8	11.5	37.7	39.8	10.6	36.6	42.0	9.8
47.0	43.3	32.7	14.6	42.2	34.3	13.7	41.2	36.1	12.7	40.1	38.1	11.8	39.0	40.2	10.9	37.8	42.4	10.1
49.0	44.7	33.0	15.0	43.7	34.7	14.0	42.6	36.5	13.0	41.4	38.4	12.1	40.3	40.5	11.2	39.1	42.7	10.3
51.0	46.2	33.3	15.4	45.1	35.0	14.3	44.0	36.8	13.3	42.8	38.8	12.4	41.6	40.9	11.4	40.4	43.1	10.6
53.0	47.7	33.7	15.7	46.6	35.4	14.7	45.4	37.2	13.6	44.2	39.1	12.7	43.0	41.2	11.7	41.7	43.5	10.8
55.0	49.3	34.0	16.1	48.1	35.7	15.0	46.9	37.5	13.9	45.6	39.5	13.0	44.4	41.6	12.0	43.1	43.8	11.1

YCUL0046EC

SST (°F)	AIR TEMPERATURE ON CONDENSER (°F)																	
	75°F			80°F			85°F			90°F			95°F			100°F		
	TONS	KW	EER	TONS	KW	EER	TONS	KW	EER	TONS	KW	EER	TONS	KW	EER	TONS	KW	EER
35.0	39.0	30.5	13.0	38.1	32.3	12.0	37.1	34.2	11.2	36.2	36.3	10.4	35.2	38.5	9.6	34.2	40.7	8.9
37.0	40.4	30.7	13.4	39.5	32.5	12.4	38.5	34.4	11.6	37.6	36.5	10.7	36.5	38.6	9.9	35.5	40.9	9.2
39.0	42.0	30.9	13.8	41.0	32.7	12.9	40.0	34.6	11.9	39.0	36.7	11.1	37.9	38.8	10.2	36.9	41.1	9.5
41.0	43.5	31.0	14.2	42.5	32.9	13.3	41.5	34.8	12.3	40.4	36.9	11.4	39.3	39.0	10.6	38.2	41.3	9.8
43.0	45.1	31.3	14.7	44.1	33.1	13.7	43.0	35.0	12.7	41.9	37.1	11.8	40.8	39.2	10.9	39.6	41.6	10.1
45.0	46.7	31.5	15.1	45.6	33.3	14.1	44.5	35.2	13.1	43.4	37.3	12.1	42.3	39.5	11.3	41.1	41.8	10.4
47.0	48.4	31.7	15.6	47.3	33.5	14.5	46.1	35.4	13.5	45.0	37.5	12.5	43.8	39.7	11.6	42.5	42.0	10.7
49.0	50.1	31.9	16.0	48.9	33.7	14.9	47.8	35.6	13.9	46.6	37.7	12.9	45.3	39.9	11.9	44.1	42.2	11.1
51.0	51.9	32.1	16.5	50.7	33.9	15.4	49.4	35.9	14.3	48.2	37.9	13.3	46.9	40.1	12.3	45.6	42.5	11.4
53.0	53.6	32.4	16.9	52.4	34.2	15.8	51.1	36.1	14.7	49.8	38.2	13.7	48.5	40.4	12.7	47.2	42.7	11.7
55.0	55.5	32.6	17.4	54.2	34.4	16.2	52.9	36.4	15.1	51.5	38.4	14.0	50.2	40.6	13.0	48.8	43.0	12.1

YCUL0050EC

SST (°F)	AIR TEMPERATURE ON CONDENSER (°F)																	
	75°F			80°F			85°F			90°F			95°F			100°F		
	TONS	KW	EER	TONS	KW	EER	TONS	KW	EER	TONS	KW	EER	TONS	KW	EER	TONS	KW	EER
35.0	43.3	35.6	12.6	42.4	37.6	11.8	41.3	39.8	10.9	40.3	42.0	10.1	39.2	44.5	9.4	38.1	47.0	8.7
37.0	45.0	35.9	13.0	44.0	37.9	12.1	42.9	40.0	11.3	41.8	42.3	10.5	40.7	44.7	9.7	39.5	47.3	9.0
39.0	46.6	36.2	13.4	45.6	38.1	12.5	44.5	40.3	11.6	43.4	42.6	10.8	42.2	45.0	10.0	41.0	47.6	9.2
41.0	48.4	36.4	13.8	47.3	38.4	12.9	46.1	40.5	12.0	44.9	42.8	11.1	43.7	45.3	10.3	42.5	47.9	9.5
43.0	50.1	36.7	14.2	49.0	38.7	13.3	47.8	40.8	12.4	46.6	43.1	11.5	45.3	45.5	10.6	44.0	48.1	9.8
45.0	51.9	37.0	14.6	50.7	39.0	13.7	49.5	41.1	12.7	48.2	43.4	11.8	46.9	45.8	11.0	45.6	48.4	10.1
47.0	53.7	37.3	15.0	52.5	39.3	14.0	51.2	41.4	13.1	49.9	43.7	12.2	48.6	46.1	11.3	47.2	48.7	10.4
49.0	55.6	37.6	15.4	54.3	39.6	14.4	53.0	41.7	13.5	51.7	44.0	12.5	50.3	46.4	11.6	48.9	49.0	10.7
51.0	57.5	37.9	15.9	56.2	39.9	14.8	54.8	42.0	13.8	53.4	44.3	12.9	52.0	46.7	11.9	50.6	49.4	11.0
53.0	59.5	38.3	16.3	58.1	40.2	15.2	56.7	42.3	14.2	55.3	44.6	13.2	53.8	47.1	12.3	52.3	49.7	11.4
55.0	61.5	38.6	16.7	60.1	40.6	15.6	58.6	42.7	14.6	57.1	44.9	13.6	55.6	47.4	12.6	54.1	50.0	11.7

YCUL0056EC

SST (°F)	AIR TEMPERATURE ON CONDENSER (°F)																	
	75°F			80°F			85°F			90°F			95°F			100°F		
	TONS	KW	EER	TONS	KW	EER	TONS	KW	EER	TONS	KW	EER	TONS	KW	EER	TONS	KW	EER
35.0	47.8	40.1	12.6	46.7	42.2	11.7	45.6	44.5	10.9	44.5	47.0	10.2	43.3	49.6	9.4	42.0	52.4	8.7
37.0	49.6	40.4	12.9	48.5	42.5	12.1	47.3	44.8	11.3	46.1	47.3	10.5	44.9	49.9	9.7	43.6	52.7	9.0
39.0	51.4	40.8	13.3	50.3	42.9	12.4	49.1	45.1	11.6	47.8	47.6	10.8	46.5	50.3	10.0	45.2	53.1	9.2
41.0	53.3	41.1	13.7	52.1	43.2	12.8	50.9	45.5	11.9	49.6	47.9	11.1	48.2	50.6	10.3	46.9	53.4	9.5
43.0	55.2	41.4	14.1	54.0	43.5	13.2	52.7	45.8	12.3	51.3	48.3	11.4	50.0	50.9	10.6	48.6	53.8	9.8
45.0	57.2	41.8	14.5	55.9	43.9	13.5	54.5	46.2	12.6	53.2	48.6	11.8	51.7	51.3	10.9	50.3	54.1	10.1
47.0	59.2	42.2	14.9	57.8	44.3	13.9	56.4	46.5	13.0	55.0	49.0	12.1	53.5	51.7	11.2	52.0	54.5	10.4
49.0	61.2	42.6	15.3	59.8	44.6	14.3	58.4	46.9	13.3	56.9	49.4	12.4	55.4	52.0	11.5	53.8	54.9	10.7
51.0	63.3	43.0	15.6	61.8	45.0	14.7	60.4	47.3	13.7	58.8	49.8	12.8	57.2	52.4	11.8	55.7	55.3	11.0
53.0	65.5	43.4	16.0	63.9	45.4	15.0	62.4	47.7	14.0	60.8	50.1	13.1	59.2	52.8	12.2	57.5	55.7	11.3
55.0	67.6	43.8	16.4	66.1	45.9	15.4	64.4	48.1	14.4	62.8	50.6	13.4	61.1	53.2	12.5	59.4	56.1	11.6

NOTES:

1. SST = Saturated Suction Temperature
2. kW = Compressors Input Power
3. EER = Condensing Unit EER (includes power from compressors, fans and the control panel)

YCUL0040EC

SST (°F)	AIR TEMPERATURE ON CONDENSER (°F)														
	105°F			110°F			115°F			120°F			125°F		
	TONS	KW	EER	TONS	KW	EER	TONS	KW	EER	TONS	KW	EER	TONS	KW	EER
35.0	29.7	42.6	7.8	28.6	45.0	7.2	27.5	47.5	6.6	26.4	50.1	6.0	17.6	32.3	6.0
37.0	30.8	43.0	8.1	29.7	45.4	7.4	28.6	47.9	6.8	27.4	50.5	6.2	18.4	32.5	6.2
39.0	31.9	43.3	8.3	30.8	45.7	7.6	29.7	48.3	7.0	28.5	50.9	6.4	19.1	32.7	6.5
41.0	33.1	43.7	8.5	31.9	46.1	7.8	30.8	48.7	7.2	20.6	31.1	7.3	19.8	32.9	6.7
43.0	34.2	44.0	8.8	33.1	46.5	8.1	31.9	49.0	7.4	21.4	31.3	7.5	20.6	33.1	6.9
45.0	35.4	44.3	9.0	34.3	46.8	8.3	33.0	49.4	7.6	22.2	31.5	7.8	21.4	33.2	7.1
47.0	36.7	44.7	9.3	35.5	47.2	8.5	34.2	49.8	7.8	23.0	31.6	8.0	22.2	33.4	7.4
49.0	37.9	45.1	9.5	36.7	47.6	8.7	35.4	50.2	8.0	23.9	31.8	8.3	23.0	33.6	7.6
51.0	39.2	45.4	9.7	37.9	47.9	9.0	36.6	50.6	8.2	24.7	31.9	8.5	23.8	33.7	7.8
53.0	40.5	45.8	10.0	39.2	48.3	9.2	37.8	51.0	8.4	25.6	32.1	8.8	24.7	33.9	8.1
55.0	41.8	46.2	10.2	40.4	48.7	9.4	27.4	30.6	9.8	26.5	32.3	9.1	25.5	34.1	8.3

YCUL0046EC

SST (°F)	AIR TEMPERATURE ON CONDENSER (°F)														
	105°F			110°F			115°F			120°F			125°F		
	TONS	KW	EER	TONS	KW	EER	TONS	KW	EER	TONS	KW	EER	TONS	KW	EER
35.0	33.2	43.1	8.2	32.2	45.6	7.5	31.1	48.2	6.9	30.0	51.0	6.4	29.0	53.9	5.8
37.0	34.5	43.3	8.5	33.4	45.8	7.8	32.3	48.5	7.2	31.2	51.2	6.6	15.5	24.5	6.2
39.0	35.8	43.5	8.7	34.7	46.1	8.0	33.6	48.7	7.4	32.4	51.5	6.8	16.1	24.6	6.4
41.0	37.1	43.8	9.0	36.0	46.3	8.3	34.8	49.0	7.7	33.7	51.7	7.0	16.7	24.6	6.6
43.0	38.5	44.0	9.3	37.3	46.6	8.6	36.1	49.2	7.9	34.9	52.0	7.3	17.4	24.7	6.9
45.0	39.9	44.2	9.6	38.6	46.8	8.8	37.4	49.5	8.2	36.2	52.3	7.5	18.0	24.8	7.1
47.0	41.3	44.5	9.9	40.1	47.0	9.1	38.8	49.7	8.4	37.5	52.6	7.7	18.7	24.8	7.4
49.0	42.8	44.7	10.2	41.5	47.3	9.4	40.2	50.0	8.7	38.9	52.8	8.0	19.4	24.9	7.6
51.0	44.3	44.9	10.5	43.0	47.5	9.7	41.6	50.3	8.9	40.2	53.1	8.2	20.1	25.0	7.9
53.0	45.8	45.2	10.8	44.5	47.8	10.0	43.1	50.5	9.2	41.7	53.4	8.5	20.9	25.0	8.2
55.0	47.4	45.4	11.1	46.0	48.1	10.3	44.5	50.8	9.5	43.1	53.7	8.7	21.6	25.1	8.4

YCUL0050EC

SST (°F)	AIR TEMPERATURE ON CONDENSER (°F)														
	105°F			110°F			115°F			120°F			125°F		
	TONS	KW	EER	TONS	KW	EER	TONS	KW	EER	TONS	KW	EER	TONS	KW	EER
35.0	36.9	49.7	8.0	35.7	52.6	7.4	34.5	55.6	6.8	33.2	58.7	6.2	16.6	27.8	6.0
37.0	38.3	50.0	8.3	37.1	52.9	7.6	35.8	55.9	7.0	34.5	59.1	6.4	17.3	27.9	6.2
39.0	39.8	50.3	8.5	38.5	53.2	7.9	37.2	56.2	7.2	35.8	59.4	6.6	18.0	28.0	6.4
41.0	41.2	50.6	8.8	39.9	53.5	8.1	38.6	56.6	7.4	37.2	59.7	6.8	18.7	28.1	6.6
43.0	42.7	50.9	9.1	41.4	53.8	8.4	40.0	56.9	7.7	38.6	60.1	7.1	19.4	28.2	6.9
45.0	44.3	51.2	9.4	42.9	54.1	8.6	41.5	57.2	7.9	29.7	41.4	7.6	20.1	28.3	7.1
47.0	45.8	51.5	9.6	44.4	54.4	8.9	43.0	57.6	8.2	30.8	41.6	7.8	20.9	28.4	7.4
49.0	47.5	51.8	9.9	46.0	54.8	9.1	44.5	57.9	8.4	31.9	41.7	8.1	21.7	28.5	7.6
51.0	49.1	52.1	10.2	47.6	55.1	9.4	46.1	58.2	8.7	33.0	41.9	8.3	22.5	28.5	7.9
53.0	50.8	52.5	10.5	49.2	55.4	9.7	47.6	58.6	8.9	24.1	27.0	8.8	23.3	28.6	8.2
55.0	52.5	52.8	10.8	50.9	55.8	9.9	49.3	59.0	9.2	24.9	27.1	9.1	24.1	28.7	8.4

YCUL0056EC

SST (°F)	AIR TEMPERATURE ON CONDENSER (°F)														
	105°F			110°F			115°F			120°F			125°F		
	TONS	KW	EER	TONS	KW	EER	TONS	KW	EER	TONS	KW	EER	TONS	KW	EER
35.0	40.7	55.4	8.0	39.3	58.5	7.4	37.9	61.8	6.7	36.4	65.3	6.2	18.3	30.7	6.1
37.0	42.2	55.7	8.3	40.8	58.9	7.6	39.4	62.2	7.0	37.9	65.7	6.4	19.1	30.8	6.3
39.0	43.8	56.1	8.5	42.4	59.2	7.8	40.9	62.6	7.2	39.3	66.1	6.6	19.9	31.0	6.5
41.0	45.4	56.4	8.8	44.0	59.6	8.1	42.4	63.0	7.4	40.9	66.6	6.8	20.6	31.1	6.8
43.0	47.1	56.8	9.1	45.6	60.0	8.3	44.0	63.4	7.7	42.4	67.0	7.0	21.4	31.2	7.0
45.0	48.8	57.2	9.3	47.2	60.4	8.6	45.6	63.8	7.9	44.0	67.4	7.2	22.3	31.3	7.2
47.0	50.5	57.6	9.6	48.9	60.8	8.8	47.2	64.2	8.1	45.6	67.9	7.4	23.1	31.4	7.5
49.0	52.2	57.9	9.9	50.6	61.2	9.1	48.9	64.6	8.4	24.8	29.7	8.4	23.9	31.5	7.8
51.0	54.0	58.3	10.1	52.3	61.6	9.3	50.6	65.1	8.6	25.7	29.8	8.7	24.8	31.6	8.0
53.0	55.8	58.7	10.4	54.1	62.0	9.6	52.3	65.5	8.8	26.6	29.9	9.0	25.7	31.7	8.3
55.0	57.7	59.2	10.7	55.9	62.4	9.9	54.1	65.9	9.1	27.6	30.0	9.3	26.6	31.8	8.6

NOTES:

1. SST = Saturated Suction Temperature
2. kW = Compressors Input Power
3. EER = Condensing Unit EER (includes power from compressors, fans and the control panel)

Ratings - R22 (English Units)

YCUL0060EC

SST (°F)	AIR TEMPERATURE ON CONDENSER (°F)																	
	75°F			80°F			85°F			90°F			95°F			100°F		
	TONS	KW	EER	TONS	KW	EER	TONS	KW	EER	TONS	KW	EER	TONS	KW	EER	TONS	KW	EER
35.0	52.2	45.7	12.2	51.0	48.2	11.4	49.7	50.9	10.6	48.5	53.8	9.8	47.1	56.8	9.1	45.8	60.0	8.4
37.0	54.1	46.1	12.6	52.9	48.6	11.7	51.6	51.3	10.9	50.3	54.2	10.1	48.9	57.3	9.3	47.5	60.5	8.6
39.0	56.1	46.5	12.9	54.8	49.1	12.0	53.4	51.8	11.2	52.1	54.7	10.4	50.7	57.7	9.6	49.2	61.0	8.9
41.0	58.1	47.0	13.3	56.7	49.5	12.4	55.4	52.2	11.5	53.9	55.1	10.7	52.5	58.2	9.9	51.0	61.5	9.1
43.0	60.1	47.4	13.6	58.7	50.0	12.7	57.3	52.7	11.8	55.8	55.6	11.0	54.3	58.7	10.1	52.8	62.0	9.4
45.0	62.2	47.9	13.9	60.8	50.4	13.0	59.3	53.2	12.1	57.8	56.1	11.2	56.2	59.2	10.4	54.7	62.5	9.6
47.0	64.3	48.4	14.3	62.8	50.9	13.3	61.3	53.6	12.4	59.8	56.6	11.5	58.2	59.7	10.7	56.5	63.0	9.9
49.0	66.5	48.9	14.6	65.0	51.4	13.7	63.4	54.2	12.7	61.8	57.1	11.8	60.1	60.2	11.0	58.5	63.5	10.1
51.0	68.7	49.5	15.0	67.1	52.0	14.0	65.5	54.7	13.0	63.8	57.6	12.1	62.2	60.8	11.2	60.4	64.1	10.4
53.0	70.9	50.0	15.3	69.3	52.5	14.3	67.6	55.2	13.3	65.9	58.2	12.4	64.2	61.3	11.5	62.4	64.7	10.7
55.0	73.2	50.6	15.6	71.5	53.1	14.6	69.8	55.8	13.6	68.1	58.8	12.7	66.3	61.9	11.8	64.4	65.3	10.9

YCUL0066EC

SST (°F)	AIR TEMPERATURE ON CONDENSER (°F)																	
	75°F			80°F			85°F			90°F			95°F			100°F		
	TONS	KW	EER	TONS	KW	EER	TONS	KW	EER	TONS	KW	EER	TONS	KW	EER	TONS	KW	EER
35.0	57.6	47.7	13.0	56.2	50.4	12.1	54.9	53.3	11.2	53.5	56.3	10.4	52.1	59.6	9.6	50.6	63.0	8.9
37.0	59.7	48.1	13.3	58.3	50.8	12.4	56.9	53.7	11.5	55.5	56.8	10.7	54.0	60.1	9.9	52.5	63.5	9.1
39.0	61.8	48.6	13.7	60.4	51.3	12.7	59.0	54.2	11.8	57.5	57.3	11.0	56.0	60.6	10.2	54.4	64.0	9.4
41.0	64.0	49.0	14.1	62.6	51.7	13.1	61.1	54.7	12.2	59.6	57.8	11.3	58.0	61.1	10.4	56.4	64.5	9.7
43.0	66.2	49.5	14.4	64.7	52.2	13.4	63.2	55.1	12.5	61.7	58.3	11.6	60.1	61.6	10.7	58.4	65.1	9.9
45.0	68.5	50.0	14.8	67.0	52.7	13.8	65.4	55.7	12.8	63.8	58.8	11.9	62.2	62.1	11.0	60.5	65.6	10.2
47.0	70.8	50.6	15.1	69.2	53.3	14.1	67.7	56.2	13.1	66.0	59.3	12.2	64.3	62.6	11.3	62.6	66.2	10.5
49.0	73.2	51.1	15.5	71.6	53.8	14.5	69.9	56.7	13.5	68.2	59.9	12.5	66.5	63.2	11.6	64.7	66.8	10.7
51.0	75.6	51.7	15.8	73.9	54.4	14.8	72.2	57.3	13.8	70.5	60.5	12.8	68.7	63.8	11.9	66.9	67.4	11.0
53.0	78.0	52.3	16.2	76.3	55.0	15.1	74.6	57.9	14.1	72.8	61.1	13.1	71.0	64.4	12.2	69.1	68.0	11.3
55.0	80.5	52.9	16.5	78.7	55.6	15.4	77.0	58.6	14.4	75.2	61.7	13.4	73.3	65.1	12.4	71.3	68.6	11.5

YCUL0076EC

SST (°F)	AIR TEMPERATURE ON CONDENSER (°F)																	
	75°F			80°F			85°F			90°F			95°F			100°F		
	TONS	KW	EER	TONS	KW	EER	TONS	KW	EER	TONS	KW	EER	TONS	KW	EER	TONS	KW	EER
35.0	64.2	55.4	12.4	62.6	58.6	11.5	61.0	61.9	10.7	59.4	65.5	9.9	57.7	69.2	9.1	55.9	73.1	8.4
37.0	66.6	55.9	12.7	64.9	59.0	11.8	63.3	62.4	11.0	61.6	65.9	10.2	59.8	69.7	9.4	58.0	73.7	8.6
39.0	69.0	56.3	13.1	67.3	59.5	12.2	65.6	62.8	11.3	63.8	66.4	10.5	62.0	70.2	9.7	60.1	74.2	8.9
41.0	71.4	56.8	13.5	69.7	60.0	12.5	67.9	63.4	11.6	66.1	67.0	10.8	64.2	70.8	9.9	62.3	74.8	9.2
43.0	74.0	57.3	13.8	72.2	60.5	12.9	70.3	63.9	11.9	68.5	67.5	11.1	66.5	71.3	10.2	64.5	75.4	9.4
45.0	76.6	57.8	14.2	74.7	61.0	13.2	72.8	64.4	12.3	70.8	68.0	11.4	68.9	71.9	10.5	66.8	75.9	9.7
47.0	79.2	58.4	14.6	77.3	61.5	13.6	75.3	64.9	12.6	73.3	68.6	11.7	71.2	72.4	10.8	69.1	76.5	10.0
49.0	81.9	58.9	15.0	79.9	62.1	13.9	77.9	65.5	12.9	75.8	69.1	12.0	73.6	73.0	11.1	71.5	77.1	10.2
51.0	84.6	59.5	15.3	82.6	62.6	14.3	80.5	66.1	13.3	78.3	69.7	12.3	76.1	73.6	11.4	73.9	77.7	10.5
53.0	87.4	60.1	15.7	85.3	63.2	14.6	83.1	66.6	13.6	80.9	70.3	12.6	78.6	74.2	11.6	76.3	78.4	10.8
55.0	90.3	60.7	16.1	88.1	63.8	15.0	85.8	67.3	13.9	83.5	70.9	12.9	81.2	74.9	11.9	78.8	79.0	11.0

YCUL0080EC

SST (°F)	AIR TEMPERATURE ON CONDENSER (°F)																	
	75°F			80°F			85°F			90°F			95°F			100°F		
	TONS	KW	EER	TONS	KW	EER	TONS	KW	EER	TONS	KW	EER	TONS	KW	EER	TONS	KW	EER
35.0	71.4	61.3	12.6	69.8	64.6	11.7	68.1	68.1	10.9	66.4	71.9	10.1	64.5	76.0	9.3	62.6	80.4	8.6
37.0	74.1	61.8	13.0	72.4	65.1	12.1	70.6	68.6	11.2	68.8	72.5	10.4	66.9	76.6	9.6	64.9	80.9	8.9
39.0	76.8	62.3	13.3	75.0	65.6	12.4	73.2	69.2	11.6	71.3	73.0	10.7	69.4	77.1	9.9	67.3	81.5	9.2
41.0	79.6	62.9	13.7	77.7	66.2	12.8	75.8	69.8	11.9	73.9	73.5	11.0	71.9	77.7	10.2	69.7	82.1	9.4
43.0	82.4	63.4	14.1	80.5	66.7	13.1	78.5	70.3	12.2	76.5	74.1	11.3	74.4	78.2	10.5	72.2	82.7	9.7
45.0	85.3	64.0	14.5	83.3	67.3	13.5	81.3	70.9	12.6	79.2	74.7	11.7	77.0	78.8	10.8	74.8	83.2	10.0
47.0	88.3	64.6	14.8	86.2	67.9	13.9	84.1	71.4	12.9	81.9	75.3	12.0	79.7	79.4	11.1	77.4	83.8	10.2
49.0	91.4	65.2	15.2	89.2	68.5	14.2	87.0	72.0	13.2	84.7	75.9	12.3	82.4	80.1	11.4	80.0	84.4	10.5
51.0	94.5	65.8	15.6	92.2	69.1	14.6	89.9	72.6	13.6	87.6	76.5	12.6	85.1	80.7	11.7	82.7	85.1	10.8
53.0	97.6	66.4	16.0	95.3	69.7	14.9	92.9	73.3	13.9	90.5	77.1	12.9	88.0	81.3	12.0	85.5	85.8	11.1
55.0	100.9	67.1	16.4	98.4	70.3	15.3	96.0	73.9	14.3	93.4	77.8	13.3	90.9	81.9	12.3	88.3	86.4	11.4

NOTES:

1. SST = Saturated Suction Temperature
2. kW = Compressors Input Power
3. EER = Condensing Unit EER (includes power from compressors, fans and the control panel)

YCUL0060EC

AIR TEMPERATURE ON CONDENSER (°F)															
SST (°F)	105°F			110°F			115°F			120°F			125°F		
	TONS	KW	EER	TONS	KW	EER	TONS	KW	EER	TONS	KW	EER	TONS	KW	EER
35.0	44.4	63.4	7.7	42.9	67.0	7.1	41.4	70.7	6.5	29.5	51.2	6.2	28.4	54.0	5.7
37.0	46.0	63.9	7.9	44.6	67.5	7.3	43.0	71.3	6.7	30.7	51.5	6.5	29.5	54.4	5.9
39.0	47.7	64.4	8.2	46.2	68.0	7.5	33.1	49.0	7.3	31.9	51.8	6.7	21.8	35.1	6.4
41.0	49.5	64.9	8.4	47.9	68.6	7.7	34.3	49.3	7.5	33.1	52.1	6.9	22.7	35.2	6.7
43.0	51.2	65.4	8.7	49.6	69.1	8.0	35.6	49.6	7.7	34.4	52.4	7.1	23.5	35.4	6.9
45.0	53.0	66.0	8.9	51.4	69.7	8.2	36.9	49.9	8.0	35.6	52.7	7.3	24.4	35.6	7.1
47.0	54.9	66.5	9.1	53.1	70.2	8.4	38.2	50.2	8.2	36.9	53.0	7.6	25.3	35.7	7.4
49.0	56.7	67.1	9.4	55.0	70.8	8.6	39.6	50.5	8.5	38.2	53.4	7.8	26.2	35.9	7.6
51.0	58.6	67.7	9.6	42.3	48.1	9.5	41.0	50.8	8.7	39.6	53.7	8.0	27.2	36.0	7.8
53.0	60.6	68.2	9.8	43.8	48.4	9.7	42.4	51.1	9.0	41.0	54.0	8.2	28.2	36.2	8.1
55.0	62.6	68.8	10.1	45.2	48.7	10.0	43.8	51.5	9.2	30.2	34.4	9.1	29.2	36.3	8.3

YCUL0066EC

AIR TEMPERATURE ON CONDENSER (°F)															
SST (°F)	105°F			110°F			115°F			120°F			125°F		
	TONS	KW	EER	TONS	KW	EER	TONS	KW	EER	TONS	KW	EER	TONS	KW	EER
35.0	49.2	66.6	8.2	47.7	70.4	7.5	46.1	74.3	6.9	44.6	78.3	6.4	22.4	36.8	6.3
37.0	51.0	67.1	8.4	49.5	70.9	7.8	47.9	74.8	7.1	46.3	78.9	6.6	23.2	37.0	6.5
39.0	52.9	67.6	8.7	51.3	71.4	8.0	49.6	75.4	7.4	48.0	79.5	6.8	24.1	37.2	6.8
41.0	54.8	68.2	8.9	53.1	72.0	8.2	51.5	76.0	7.6	25.9	35.3	7.6	25.0	37.4	7.0
43.0	56.8	68.7	9.2	55.1	72.6	8.5	53.3	76.6	7.8	26.9	35.5	7.9	26.0	37.5	7.2
45.0	58.8	69.3	9.4	57.0	73.2	8.7	55.2	77.2	8.0	27.9	35.7	8.1	27.0	37.7	7.5
47.0	60.8	69.9	9.7	59.0	73.8	8.9	57.1	77.9	8.2	28.9	35.8	8.4	28.0	37.9	7.7
49.0	62.9	70.5	9.9	61.0	74.4	9.2	59.1	78.5	8.4	30.0	36.0	8.6	29.0	38.1	8.0
51.0	65.0	71.1	10.2	63.1	75.0	9.4	61.1	79.2	8.7	31.0	36.2	8.9	30.0	38.3	8.2
53.0	67.2	71.7	10.4	65.2	75.7	9.6	63.2	79.8	8.9	32.1	36.4	9.2	31.1	38.5	8.5
55.0	69.4	72.4	10.7	67.3	76.4	9.9	34.3	34.6	10.2	33.3	36.6	9.5	32.2	38.7	8.7

YCUL0076EC

AIR TEMPERATURE ON CONDENSER (°F)															
SST (°F)	105°F			110°F			115°F			120°F			125°F		
	TONS	KW	EER	TONS	KW	EER	TONS	KW	EER	TONS	KW	EER	TONS	KW	EER
35.0	54.1	77.3	7.7	52.3	81.7	7.1	50.3	86.3	6.5	40.5	71.0	6.3	39.0	75.0	5.7
37.0	56.2	77.9	8.0	54.2	82.3	7.3	52.3	86.9	6.7	42.1	71.4	6.5	40.5	75.4	5.9
39.0	58.2	78.5	8.2	56.3	82.9	7.5	54.3	87.6	6.9	43.8	71.9	6.7	42.1	75.9	6.1
41.0	60.3	79.1	8.4	58.3	83.5	7.8	56.3	88.2	7.1	45.4	72.3	6.9	43.7	76.4	6.3
43.0	62.5	79.7	8.7	60.4	84.2	8.0	58.3	88.9	7.3	47.1	72.7	7.1	37.6	60.2	6.7
45.0	64.7	80.3	8.9	62.6	84.8	8.2	60.4	89.6	7.5	48.8	73.2	7.3	39.0	60.5	7.0
47.0	67.0	80.9	9.2	64.8	85.4	8.4	62.4	90.2	7.7	50.6	73.7	7.5	40.5	60.8	7.2
49.0	69.3	81.5	9.4	67.0	86.1	8.7	64.2	90.7	7.9	52.4	74.1	7.8	41.9	61.1	7.4
51.0	71.6	82.1	9.7	69.3	86.8	8.9	66.1	91.2	8.1	54.2	74.6	8.0	43.4	61.4	7.6
53.0	74.0	82.8	9.9	71.6	87.4	9.1	68.0	91.7	8.3	56.1	75.0	8.2	45.0	61.7	7.9
55.0	76.4	83.5	10.2	74.0	88.1	9.3	70.0	92.2	8.5	58.0	75.5	8.5	46.6	62.0	8.1

YCUL0080EC

AIR TEMPERATURE ON CONDENSER (°F)															
SST (°F)	105°F			110°F			115°F			120°F			125°F		
	TONS	KW	EER	TONS	KW	EER	TONS	KW	EER	TONS	KW	EER	TONS	KW	EER
35.0	60.6	84.9	7.9	58.5	89.8	7.3	56.3	94.9	6.6	54.0	100.2	6.1	35.9	65.2	6.0
37.0	62.9	85.5	8.2	60.7	90.5	7.5	58.5	95.5	6.9	56.2	100.9	6.3	37.4	65.5	6.2
39.0	65.2	86.2	8.4	63.0	91.0	7.7	60.7	96.2	7.1	58.4	101.6	6.5	38.9	65.8	6.4
41.0	67.6	86.7	8.7	65.3	91.7	8.0	63.0	96.9	7.3	60.6	102.3	6.7	40.4	66.2	6.6
43.0	70.0	87.3	8.9	67.7	92.3	8.2	65.3	97.6	7.5	63.0	103.0	6.9	42.0	66.6	6.9
45.0	72.5	88.0	9.2	70.1	93.0	8.4	67.7	98.2	7.7	65.4	103.7	7.1	43.6	67.0	7.1
47.0	75.0	88.6	9.4	72.6	93.6	8.7	70.1	98.9	8.0	68.0	104.4	7.3	45.2	67.4	7.3
49.0	77.6	89.2	9.7	75.1	94.3	8.9	72.6	99.6	8.2	70.6	105.1	7.5	46.8	67.8	7.6
51.0	80.3	89.8	10.0	77.7	94.9	9.2	75.1	100.3	8.4	73.2	105.8	7.7	48.4	68.2	7.8
53.0	82.9	90.5	10.2	80.3	95.6	9.4	77.6	101.0	8.6	75.8	106.5	7.9	50.0	68.6	8.1
55.0	85.7	91.2	10.5	83.0	96.3	9.7	80.2	101.7	8.9	78.4	107.2	8.1	51.6	69.0	8.3

NOTES:

1. SST = Saturated Suction Temperature
2. kW = Compressors Input Power
3. EER = Condensing Unit EER (includes power from compressors, fans and the control panel)

Ratings - R22 (English Units)

YCUL0086EC

SST (°F)	AIR TEMPERATURE ON CONDENSER (°F)																	
	75°F			80°F			85°F			90°F			95°F			100°F		
	TONS	KW	EER	TONS	KW	EER	TONS	KW	EER	TONS	KW	EER	TONS	KW	EER	TONS	KW	EER
35.0	77.9	68.0	12.5	76.1	71.8	11.6	74.1	75.9	10.8	72.2	80.2	10.0	70.2	84.8	9.2	68.1	89.6	8.5
37.0	80.7	68.7	12.8	78.8	72.5	11.9	76.9	76.6	11.1	74.8	80.9	10.2	72.8	85.5	9.5	70.6	90.4	8.7
39.0	83.6	69.3	13.2	81.7	73.2	12.3	79.6	77.2	11.4	77.5	81.6	10.5	75.4	86.3	9.7	73.2	91.2	9.0
41.0	86.6	70.0	13.5	84.6	73.8	12.6	82.5	77.9	11.7	80.3	82.4	10.8	78.1	87.0	10.0	75.8	92.0	9.2
43.0	89.6	70.7	13.9	87.5	74.6	12.9	85.3	78.7	12.0	83.1	83.1	11.1	80.8	87.8	10.3	78.5	92.8	9.5
45.0	92.7	71.4	14.2	90.5	75.3	13.2	88.3	79.4	12.3	86.0	83.9	11.4	83.6	88.6	10.5	81.2	93.5	9.7
47.0	95.9	72.2	14.6	93.6	76.0	13.6	91.3	80.2	12.6	88.9	84.6	11.7	86.5	89.4	10.8	84.0	94.4	10.0
49.0	99.1	73.0	14.9	96.7	76.8	13.9	94.3	81.0	12.9	91.9	85.5	12.0	89.4	90.2	11.1	86.8	95.2	10.2
51.0	102.4	73.8	15.2	99.9	77.6	14.2	97.5	81.8	13.2	94.9	86.3	12.2	92.3	91.1	11.3	89.7	96.1	10.5
53.0	105.7	74.6	15.6	103.2	78.5	14.5	100.6	82.7	13.5	98.0	87.2	12.5	95.4	91.9	11.6	92.6	97.0	10.7
55.0	109.1	75.5	15.9	106.5	79.3	14.8	103.9	83.5	13.8	101.2	88.0	12.8	98.4	92.8	11.9	95.6	97.9	11.0

YCUL0090EC

SST (°F)	AIR TEMPERATURE ON CONDENSER (°F)																	
	75°F			80°F			85°F			90°F			95°F			100°F		
	TONS	KW	EER	TONS	KW	EER	TONS	KW	EER	TONS	KW	EER	TONS	KW	EER	TONS	KW	EER
35.0	84.2	74.4	12.4	82.1	78.8	11.5	80.0	83.3	10.7	77.9	88.2	9.8	75.7	93.2	9.1	73.5	98.5	8.4
37.0	87.2	75.2	12.8	85.1	79.5	11.8	82.9	84.1	10.9	80.7	89.0	10.1	78.5	94.1	9.3	76.2	99.4	8.6
39.0	90.3	76.0	13.1	88.1	80.3	12.1	85.9	85.0	11.2	83.6	89.9	10.4	81.3	95.0	9.6	78.9	100.4	8.8
41.0	93.5	76.8	13.4	91.2	81.2	12.4	88.9	85.8	11.5	86.5	90.8	10.6	84.1	95.9	9.8	81.7	101.4	9.1
43.0	96.7	77.6	13.7	94.3	82.0	12.7	92.0	86.7	11.8	89.6	91.7	10.9	87.1	96.9	10.1	84.5	102.4	9.3
45.0	99.9	78.5	14.1	97.6	82.9	13.0	95.1	87.6	12.1	92.6	92.6	11.2	90.1	97.9	10.3	87.4	103.4	9.5
47.0	103.3	79.4	14.4	100.8	83.8	13.3	98.3	88.6	12.4	95.7	93.6	11.4	93.1	98.9	10.6	90.4	104.4	9.8
49.0	106.6	80.4	14.7	104.1	84.8	13.6	101.5	89.6	12.6	98.9	94.6	11.7	96.2	99.9	10.8	93.4	105.5	10.0
51.0	110.1	81.4	15.0	107.5	85.8	13.9	104.8	90.6	12.9	102.1	95.6	12.0	99.3	101.0	11.1	96.5	106.6	10.2
53.0	113.6	82.4	15.3	110.9	86.9	14.2	108.2	91.6	13.2	105.4	96.7	12.2	102.5	102.1	11.3	99.6	107.8	10.4
55.0	117.1	83.4	15.6	114.4	87.9	14.5	111.6	92.7	13.5	108.7	97.8	12.5	105.8	103.2	11.5	102.7	108.9	10.7

YCUL0096EC

SST (°F)	AIR TEMPERATURE ON CONDENSER (°F)																	
	75°F			80°F			85°F			90°F			95°F			100°F		
	TONS	KW	EER	TONS	KW	EER	TONS	KW	EER	TONS	KW	EER	TONS	KW	EER	TONS	KW	EER
35.0	83.7	69.3	12.5	81.7	72.7	11.7	79.8	76.4	11.0	77.8	80.3	10.3	75.8	84.4	9.5	73.7	88.9	8.9
37.0	86.8	70.1	12.9	84.8	73.5	12.1	82.8	77.1	11.3	80.7	81.1	10.5	78.6	85.2	9.8	76.5	89.7	9.1
39.0	90.0	70.9	13.2	87.9	74.3	12.4	85.8	77.9	11.6	83.7	81.9	10.8	81.6	86.1	10.1	79.4	90.5	9.4
41.0	93.3	71.8	13.6	91.1	75.1	12.7	89.0	78.8	11.9	86.8	82.7	11.1	84.6	86.9	10.4	82.3	91.4	9.7
43.0	96.6	72.6	13.9	94.4	76.0	13.0	92.2	79.6	12.2	89.9	83.5	11.4	87.7	87.7	10.7	85.3	92.3	9.9
45.0	100.1	73.6	14.2	97.8	76.9	13.4	95.5	80.5	12.5	93.2	84.4	11.7	90.8	88.6	11.0	88.5	93.1	10.2
47.0	103.6	74.5	14.6	101.3	77.8	13.7	98.9	81.4	12.9	96.5	85.3	12.0	94.1	89.5	11.3	91.6	94.1	10.5
49.0	107.2	75.5	14.9	104.8	78.8	14.0	102.4	82.4	13.2	99.9	86.3	12.3	97.4	90.5	11.5	94.9	95.0	10.8
51.0	110.9	76.5	15.3	108.4	79.8	14.4	105.9	83.4	13.5	103.4	87.3	12.6	100.8	91.5	11.8	98.2	96.0	11.0
53.0	114.7	77.5	15.6	112.2	80.8	14.7	109.6	84.4	13.8	106.9	88.3	12.9	104.3	92.5	12.1	101.6	97.0	11.3
55.0	118.6	78.6	15.9	116.0	81.9	15.0	113.3	85.5	14.1	110.6	89.4	13.3	107.9	93.5	12.4	105.1	98.1	11.6

YCUL0100EC

SST (°F)	AIR TEMPERATURE ON CONDENSER (°F)																	
	75°F			80°F			85°F			90°F			95°F			100°F		
	TONS	KW	EER	TONS	KW	EER	TONS	KW	EER	TONS	KW	EER	TONS	KW	EER	TONS	KW	EER
35.0	91.0	76.0	12.6	88.8	79.7	11.8	86.6	83.7	11.0	84.4	87.9	10.3	82.2	92.3	9.6	79.9	97.1	8.9
37.0	94.4	76.9	12.9	92.1	80.6	12.1	89.9	84.5	11.3	87.6	88.8	10.6	85.3	93.2	9.8	83.0	98.0	9.1
39.0	97.8	77.9	13.2	95.5	81.5	12.4	93.2	85.4	11.6	90.8	89.6	10.8	88.4	94.2	10.1	86.1	98.9	9.4
41.0	101.3	78.9	13.6	99.0	82.5	12.7	96.5	86.4	11.9	94.1	90.6	11.1	91.7	95.1	10.4	89.2	99.9	9.7
43.0	104.9	79.9	13.9	102.5	83.5	13.0	100.0	87.3	12.2	97.5	91.5	11.4	95.0	96.0	10.7	92.4	100.9	9.9
45.0	108.6	81.0	14.2	106.1	84.5	13.4	103.6	88.3	12.5	101.0	92.5	11.7	98.4	97.0	10.9	95.8	101.9	10.2
47.0	112.4	82.2	14.5	109.8	85.6	13.7	107.2	89.4	12.8	104.5	93.6	12.0	101.8	98.1	11.2	99.1	103.0	10.5
49.0	116.2	83.4	14.8	113.6	86.8	14.0	110.9	90.5	13.1	108.2	94.7	12.3	105.4	99.2	11.5	102.6	104.0	10.7
51.0	120.2	84.6	15.1	117.4	88.0	14.3	114.7	91.7	13.4	111.8	95.8	12.6	109.0	100.3	11.8	106.2	105.1	11.0
53.0	124.2	85.9	15.4	121.4	89.2	14.6	118.5	92.9	13.7	115.6	97.0	12.9	112.7	101.4	12.1	109.8	106.3	11.3
55.0	128.3	87.3	15.7	125.4	90.5	14.8	122.4	94.2	14.0	119.5	98.3	13.1	116.5	102.7	12.3	113.5	107.5	11.5

NOTES:

1. SST = Saturated Suction Temperature
2. kW = Compressors Input Power
3. EER = Condensing Unit EER (includes power from compressors, fans and the control panel)

YCUL0086EC

SST (°F)	AIR TEMPERATURE ON CONDENSER (°F)														
	105°F			110°F			115°F			120°F			125°F		
	TONS	KW	EER	TONS	KW	EER	TONS	KW	EER	TONS	KW	EER	TONS	KW	EER
35.0	66.0	94.7	7.8	63.8	100.1	7.2	61.5	105.6	6.6	49.3	86.9	6.3	39.5	71.9	6.0
37.0	68.4	95.5	8.0	66.2	100.9	7.4	63.9	106.5	6.8	51.2	87.5	6.5	41.1	72.3	6.2
39.0	70.9	96.3	8.3	68.6	101.7	7.6	55.2	83.5	7.3	53.2	88.2	6.7	42.7	72.7	6.4
41.0	73.5	97.1	8.5	71.1	102.5	7.8	57.2	84.0	7.6	46.0	69.3	7.2	44.3	73.2	6.6
43.0	76.1	98.0	8.7	73.6	103.4	8.0	59.3	84.6	7.8	47.7	69.7	7.5	45.9	73.6	6.9
45.0	78.7	98.8	8.9	76.2	104.3	8.2	61.5	85.2	8.0	49.4	70.1	7.7	47.6	74.1	7.1
47.0	81.4	99.7	9.2	78.8	105.2	8.4	63.7	85.8	8.2	51.2	70.5	7.9	49.4	74.5	7.3
49.0	84.2	100.5	9.4	81.5	106.1	8.7	65.9	86.4	8.5	53.0	71.0	8.2	51.2	74.9	7.5
51.0	87.0	101.4	9.6	70.5	82.4	9.5	68.2	87.0	8.7	54.9	71.4	8.4	53.0	75.4	7.7
53.0	89.9	102.4	9.9	72.8	83.0	9.7	70.5	87.7	9.0	56.8	71.8	8.7	54.8	75.9	8.0
55.0	92.8	103.3	10.1	75.3	83.6	10.0	72.8	88.3	9.2	58.7	72.3	8.9	56.7	76.3	8.2

YCUL0090EC

SST (°F)	AIR TEMPERATURE ON CONDENSER (°F)														
	105°F			110°F			115°F			120°F			125°F		
	TONS	KW	EER	TONS	KW	EER	TONS	KW	EER	TONS	KW	EER	TONS	KW	EER
35.0	71.2	104.1	7.7	69.0	109.8	7.1	66.6	115.8	6.5	44.6	74.2	6.6*	43.0	78.3	6.1
37.0	73.9	105.0	7.9	71.5	110.9	7.3	69.1	116.9	6.7	46.3	74.7	6.8*	44.7	78.8	6.3
39.0	76.5	106.0	8.1	74.1	111.9	7.5	71.6	118.0	6.9	48.0	75.2	7.0*	46.3	79.4	6.5
41.0	79.2	107.0	8.4	76.7	112.9	7.7	74.1	119.1	7.1	49.8	75.7	7.2*	48.1	79.9	6.7
43.0	82.0	108.1	8.6	79.4	114.0	7.9	53.4	72.2	8.1	51.6	76.2	7.5	49.8	80.5	6.9
45.0	84.8	109.2	8.8	82.1	115.1	8.1	55.3	72.7	8.4	53.5	76.8	7.7	51.6	81.0	7.1
47.0	87.7	110.2	9.0	84.9	116.3	8.3	57.3	73.2	8.6	55.4	77.3	7.9	53.5	81.6	7.3
49.0	90.6	111.4	9.2	87.7	117.5	8.5	59.3	73.7	8.8	57.4	77.9	8.1	55.4	82.2	7.5
51.0	93.6	112.5	9.4	90.6	118.7	8.7	61.4	74.3	9.1	59.3	78.4	8.4	57.3	82.8	7.7
53.0	96.6	113.7	9.6	93.5	119.9	8.9	63.4	74.9	9.3	61.4	79.0	8.6	59.3	83.4	7.9
55.0	99.7	114.9	9.8	67.7	71.4	10.4	65.6	75.4	9.6	63.4	79.6	8.8	61.3	84.0	8.1

YCUL0096EC

SST (°F)	AIR TEMPERATURE ON CONDENSER (°F)														
	105°F			110°F			115°F			120°F			125°F		
	TONS	KW	EER	TONS	KW	EER	TONS	KW	EER	TONS	KW	EER	TONS	KW	EER
35.0	71.6	93.6	8.2	69.5	98.7	7.6	67.4	104.0	7.0	65.2	109.7	6.5	63.0	115.7	6.0
37.0	74.4	94.4	8.5	72.2	99.5	7.9	70.0	104.9	7.3	67.8	110.6	6.7	65.5	116.6	6.2
39.0	77.2	95.3	8.7	74.9	100.4	8.1	72.7	105.8	7.5	70.4	111.6	6.9	68.1	117.6	6.4
41.0	80.1	96.2	9.0	77.8	101.3	8.3	75.4	106.7	7.7	73.1	112.5	7.1	70.7	118.6	6.6
43.0	83.0	97.1	9.2	80.7	102.2	8.6	78.3	107.6	7.9	75.9	113.4	7.3	54.2	83.4	6.9
45.0	86.1	98.0	9.5	83.6	103.1	8.8	81.2	108.6	8.2	78.7	114.4	7.5	56.2	84.0	7.1
47.0	89.2	98.9	9.8	86.7	104.1	9.1	84.2	109.6	8.4	81.6	115.5	7.8	58.4	84.7	7.3
49.0	92.4	99.9	10.0	89.8	105.1	9.3	87.2	110.6	8.6	84.6	116.5	8.0	60.5	85.3	7.6
51.0	95.6	100.9	10.3	93.0	106.1	9.5	90.3	111.7	8.8	87.6	117.6	8.2	62.8	86.0	7.8
53.0	99.0	101.9	10.5	96.3	107.1	9.8	93.5	112.7	9.1	90.7	118.7	8.4	65.1	86.6	8.0
55.0	102.4	103.0	10.8	99.6	108.2	10.0	96.8	113.8	9.3	93.9	119.8	8.6	47.3	55.4	8.6

YCUL0100EC

SST (°F)	AIR TEMPERATURE ON CONDENSER (°F)														
	105°F			110°F			115°F			120°F			125°F		
	TONS	KW	EER	TONS	KW	EER	TONS	KW	EER	TONS	KW	EER	TONS	KW	EER
35.0	77.7	102.2	8.2	75.4	107.6	7.6	73.2	113.2	7.1	70.9	119.2	6.5	68.7	125.4	6.1
37.0	80.6	103.1	8.5	78.3	108.5	7.9	76.0	114.3	7.3	73.6	120.3	6.7	71.4	126.5	6.2
39.0	83.7	104.0	8.7	81.2	109.5	8.1	78.9	115.2	7.5	76.5	121.4	6.9	74.1	127.6	6.4
41.0	86.7	105.0	9.0	84.3	110.5	8.3	81.8	116.3	7.7	79.4	122.4	7.2	76.9	128.8	6.6
43.0	89.9	106.0	9.2	87.4	111.5	8.6	84.9	117.3	7.9	82.3	123.5	7.4	41.3	57.6	7.2
45.0	93.2	107.1	9.5	90.6	112.5	8.8	88.0	118.4	8.2	85.3	124.6	7.6	42.9	58.0	7.5
47.0	96.5	108.1	9.7	93.8	113.7	9.0	91.1	119.5	8.4	88.5	125.8	7.8	44.5	58.4	7.7
49.0	99.9	109.2	10.0	97.1	114.8	9.3	94.3	120.8	8.6	91.6	127.0	8.0	46.1	58.8	8.0
51.0	103.3	110.4	10.2	100.5	116.0	9.5	97.7	122.0	8.8	94.8	128.3	8.2	47.8	59.2	8.2
53.0	106.9	111.5	10.5	104.0	117.2	9.7	101.0	123.2	9.0	98.1	129.6	8.4	49.6	59.6	8.4
55.0	110.5	112.8	10.7	107.5	118.4	10.0	104.5	124.5	9.3	101.5	130.9	8.6	51.3	60.0	8.7

NOTES:

1. SST = Saturated Suction Temperature
2. kW = Compressors Input Power
3. EER = Condensing Unit EER (includes power from compressors, fans and the control panel)

Ratings - R22 (English Units)

YCUL0106EC

SST (°F)	AIR TEMPERATURE ON CONDENSER (°F)																	
	75°F			80°F			85°F			90°F			95°F			100°F		
	TONS	KW	EER	TONS	KW	EER	TONS	KW	EER	TONS	KW	EER	TONS	KW	EER	TONS	KW	EER
35.0	101.1	88.1	12.3	98.7	92.6	11.5	96.2	97.4	10.7	93.7	102.6	9.9	91.1	108.1	9.2	88.5	113.9	8.5
37.0	104.8	89.2	12.6	102.3	93.7	11.7	99.7	98.5	11.0	97.2	103.7	10.2	94.5	109.2	9.5	91.8	115.1	8.8
39.0	108.6	90.3	12.9	106.0	94.8	12.0	103.4	99.6	11.2	100.7	104.8	10.5	98.0	110.4	9.7	95.2	116.3	9.0
41.0	112.5	91.5	13.2	109.8	96.0	12.3	107.1	100.8	11.5	104.4	106.0	10.7	101.5	111.6	10.0	98.7	117.6	9.2
43.0	116.5	92.7	13.5	113.7	97.2	12.6	110.9	102.0	11.8	108.1	107.2	11.0	105.2	112.8	10.2	102.3	118.9	9.5
45.0	120.6	94.0	13.8	117.7	98.4	12.9	114.8	103.3	12.1	111.9	108.5	11.3	108.9	114.1	10.5	105.9	120.1	9.7
47.0	124.8	95.3	14.1	121.8	99.7	13.2	118.8	104.6	12.4	115.8	109.8	11.5	112.8	115.4	10.7	109.7	121.5	9.9
49.0	129.0	96.6	14.4	126.0	101.1	13.5	122.9	105.9	12.6	119.8	111.1	11.8	116.7	116.8	11.0	113.5	122.9	10.2
51.0	133.4	98.0	14.7	130.3	102.4	13.8	127.2	107.3	12.9	124.0	112.5	12.1	120.7	118.2	11.2	117.4	124.3	10.4
53.0	138.0	99.4	15.0	134.7	103.8	14.1	131.5	108.7	13.2	128.2	113.9	12.3	124.8	119.6	11.5	121.5	125.7	10.7
55.0	142.6	100.8	15.3	139.3	105.3	14.4	135.9	110.1	13.5	132.5	115.3	12.6	129.1	121.0	11.8	125.6	127.1	10.9

YCUL0120EC

SST (°F)	AIR TEMPERATURE ON CONDENSER (°F)																	
	75°F			80°F			85°F			90°F			95°F			100°F		
	TONS	KW	EER	TONS	KW	EER	TONS	KW	EER	TONS	KW	EER	TONS	KW	EER	TONS	KW	EER
35.0	112.6	96.3	12.2	110.0	101.3	11.4	107.4	106.6	10.6	104.7	112.2	9.9	101.9	118.3	9.2	99.1	124.8	8.5
37.0	116.8	97.4	12.5	114.1	102.4	11.7	111.3	107.7	10.9	108.6	113.4	10.2	105.7	119.5	9.5	102.8	126.0	8.8
39.0	121.1	98.5	12.9	118.3	103.5	12.0	115.5	108.9	11.2	112.6	114.6	10.5	109.7	120.7	9.7	106.7	127.2	9.0
41.0	125.5	99.7	13.2	122.6	104.7	12.4	119.7	110.0	11.5	116.7	115.8	10.8	113.7	121.9	10.0	110.6	128.5	9.3
43.0	130.0	100.8	13.5	127.0	105.9	12.7	124.0	111.3	11.8	121.0	117.0	11.0	117.9	123.2	10.3	114.7	129.8	9.5
45.0	134.7	102.0	13.9	131.6	107.1	13.0	128.5	112.5	12.1	125.3	118.3	11.3	122.1	124.5	10.6	118.9	131.1	9.8
47.0	139.5	103.3	14.2	136.3	108.4	13.3	133.1	113.8	12.5	129.8	119.6	11.6	126.5	125.8	10.8	123.1	132.5	10.1
49.0	144.4	104.5	14.6	141.1	109.7	13.6	137.8	115.1	12.8	134.4	121.0	11.9	131.0	127.2	11.1	127.5	133.9	10.3
51.0	149.5	105.9	14.9	146.0	111.0	14.0	142.6	116.5	13.1	139.1	122.4	12.2	135.6	128.6	11.4	132.0	135.4	10.6
53.0	154.6	107.2	15.3	151.1	112.4	14.3	147.6	117.9	13.4	144.0	123.8	12.5	140.3	130.1	11.6	136.6	136.9	10.8
55.0	160.0	108.5	15.6	156.3	113.7	14.6	152.7	119.3	13.7	148.9	125.3	12.8	145.2	131.6	11.9	141.4	138.4	11.1

YCUL0130EC

SST (°F)	AIR TEMPERATURE ON CONDENSER (°F)																	
	75°F			80°F			85°F			90°F			95°F			100°F		
	TONS	KW	EER	TONS	KW	EER	TONS	KW	EER	TONS	KW	EER	TONS	KW	EER	TONS	KW	EER
35.0	123.8	107.0	12.2	120.8	112.4	11.4	117.8	118.2	10.7	114.7	124.4	9.9	111.6	131.0	9.2	108.5	138.0	8.5
37.0	128.3	108.3	12.6	125.2	113.7	11.7	122.1	119.5	10.9	119.0	125.7	10.2	115.8	132.3	9.5	112.6	139.4	8.8
39.0	133.0	109.6	12.9	129.8	115.0	12.0	126.6	120.8	11.2	123.4	127.0	10.5	120.1	133.7	9.7	116.8	140.8	9.0
41.0	137.7	111.0	13.2	134.5	116.4	12.3	131.2	122.2	11.5	127.8	128.4	10.7	124.4	135.1	10.0	121.0	142.3	9.3
43.0	142.7	112.4	13.5	139.3	117.8	12.6	135.9	123.6	11.8	132.4	129.9	11.0	128.9	136.6	10.2	125.4	143.7	9.5
45.0	147.7	113.8	13.8	144.2	119.2	13.0	140.7	125.0	12.1	137.1	131.3	11.3	133.6	138.0	10.5	129.9	145.2	9.8
47.0	152.9	115.3	14.1	149.3	120.7	13.3	145.6	126.5	12.4	142.0	132.8	11.6	138.3	139.5	10.8	134.6	146.7	10.0
49.0	158.1	116.9	14.5	154.4	122.2	13.6	150.7	128.0	12.7	146.9	134.3	11.9	143.1	141.0	11.0	139.3	148.3	10.3
51.0	163.5	118.5	14.8	159.7	123.8	13.9	155.9	129.6	13.0	152.0	135.9	12.1	148.1	142.7	11.3	144.1	150.0	10.5
53.0	169.1	120.1	15.1	165.2	125.4	14.2	161.2	131.2	13.3	157.2	137.5	12.4	153.1	144.4	11.6	149.1	151.6	10.8
55.0	174.8	121.8	15.4	170.7	127.1	14.5	166.6	132.9	13.6	162.5	139.3	12.7	158.3	146.1	11.8	154.2	153.4	11.0

NOTES:

1. SST = Saturated Suction Temperature
2. kW = Compressors Input Power
3. EER = Condensing Unit EER (includes power from compressors, fans and the control panel)

YCUL0106EC

SST (°F)	AIR TEMPERATURE ON CONDENSER (°F)														
	105°F			110°F			115°F			120°F			125°F		
	TONS	KW	EER	TONS	KW	EER	TONS	KW	EER	TONS	KW	EER	TONS	KW	EER
35.0	85.8	120.2	7.9	83.1	126.9	7.2	80.3	134.0	6.7	77.5	141.5	6.1	62.5	115.2	6.0
37.0	89.1	121.4	8.1	86.3	128.2	7.5	83.4	135.3	6.9	80.5	142.9	6.3	65.0	116.3	6.1
39.0	92.4	122.7	8.3	89.5	129.4	7.7	86.6	136.7	7.0	83.6	144.4	6.5	67.5	117.3	6.3
41.0	95.8	124.0	8.5	92.8	130.8	7.9	89.8	138.1	7.2	86.8	145.7	6.7	70.1	118.3	6.5
43.0	99.3	125.3	8.8	96.2	132.2	8.1	93.2	139.4	7.4	75.2	113.1	7.3	53.6	82.9	6.9
45.0	102.9	126.6	9.0	99.7	133.5	8.3	96.6	140.8	7.6	78.0	114.2	7.5	55.6	83.5	7.1
47.0	106.5	128.0	9.2	103.3	134.9	8.5	100.0	142.3	7.8	80.9	115.2	7.7	57.7	84.2	7.3
49.0	110.3	129.4	9.4	107.0	136.3	8.7	103.6	143.7	8.0	83.8	116.3	7.9	59.9	84.8	7.5
51.0	114.1	130.8	9.7	110.7	137.8	8.9	107.3	145.2	8.3	86.8	117.4	8.1	62.1	85.5	7.7
53.0	118.0	132.2	9.9	114.6	139.2	9.2	111.1	146.7	8.5	89.9	118.5	8.3	64.3	86.2	8.0
55.0	122.1	133.7	10.1	118.5	140.8	9.4	96.0	113.5	9.3	93.1	119.6	8.6	66.7	86.9	8.2

YCUL0120EC

SST (°F)	AIR TEMPERATURE ON CONDENSER (°F)														
	105°F			110°F			115°F			120°F			125°F		
	TONS	KW	EER	TONS	KW	EER	TONS	KW	EER	TONS	KW	EER	TONS	KW	EER
35.0	96.2	131.7	7.9	93.2	139.1	7.3	90.0	147.0	6.7	86.8	155.5	6.1	83.4	164.6	5.6
37.0	99.8	132.9	8.1	96.8	140.4	7.5	93.5	148.3	6.9	90.2	156.9	6.3	86.8	166.0	5.8
39.0	103.6	134.2	8.4	100.4	141.7	7.7	97.2	149.7	7.1	93.8	158.2	6.5	90.2	167.4	6.0
41.0	107.5	135.5	8.6	104.2	143.0	7.9	100.9	151.1	7.3	97.4	159.7	6.7	93.8	168.8	6.1
43.0	111.5	136.8	8.8	108.1	144.4	8.2	104.7	152.5	7.5	101.1	161.1	6.9	67.2	104.1	6.8
45.0	115.5	138.2	9.1	112.1	145.8	8.4	108.5	153.9	7.7	104.9	162.6	7.1	69.8	104.9	7.0
47.0	119.7	139.6	9.3	116.2	147.2	8.6	112.5	155.4	8.0	108.8	164.2	7.3	72.4	105.7	7.2
49.0	124.0	141.1	9.6	120.3	148.8	8.9	116.6	157.0	8.2	112.8	165.7	7.5	75.2	106.5	7.5
51.0	128.4	142.6	9.8	124.6	150.4	9.1	120.8	158.5	8.4	116.9	167.3	7.7	78.0	107.3	7.7
53.0	132.8	144.2	10.0	129.0	151.8	9.3	125.1	160.1	8.6	121.1	168.8	7.9	80.8	108.2	7.9
55.0	137.5	145.6	10.3	133.6	153.4	9.6	129.6	161.6	8.8	125.5	170.4	8.1	83.8	109.0	8.1

YCUL0130EC

SST (°F)	AIR TEMPERATURE ON CONDENSER (°F)														
	105°F			110°F			115°F			120°F			125°F		
	TONS	KW	EER	TONS	KW	EER	TONS	KW	EER	TONS	KW	EER	TONS	KW	EER
35.0	105.3	145.5	7.9	102.1	153.4	7.3	98.8	161.8	6.7	95.5	170.8	6.2	76.4	142.3	5.9
37.0	109.3	146.9	8.1	106.0	154.9	7.5	102.6	163.4	6.9	99.2	172.4	6.4	79.5	143.5	6.0
39.0	113.4	148.4	8.4	109.9	156.5	7.7	106.5	165.0	7.1	103.0	174.0	6.6	82.6	144.7	6.2
41.0	117.5	149.9	8.6	114.1	158.0	7.9	110.5	166.6	7.3	106.9	175.7	6.8	85.8	145.9	6.4
43.0	121.9	151.4	8.8	118.3	159.5	8.2	114.6	168.2	7.5	110.9	177.4	6.9	73.9	114.0	6.9
45.0	126.3	152.9	9.1	122.6	161.1	8.4	118.8	169.8	7.7	95.7	140.6	7.4	76.7	114.9	7.1
47.0	130.8	154.5	9.3	127.0	162.7	8.6	123.1	171.5	7.9	99.2	141.9	7.6	79.6	115.9	7.3
49.0	135.4	156.1	9.5	131.5	164.4	8.8	127.5	173.3	8.2	102.8	143.2	7.8	82.5	116.8	7.5
51.0	140.1	157.8	9.8	136.1	166.2	9.0	132.0	175.0	8.4	106.5	144.5	8.0	85.5	117.7	7.8
53.0	145.0	159.5	10.0	140.8	167.9	9.3	136.7	176.8	8.6	110.3	145.9	8.3	88.6	118.7	8.0
55.0	150.0	161.2	10.2	145.7	169.7	9.5	141.4	178.7	8.8	114.3	147.2	8.5	91.8	119.7	8.2

NOTES:

1. SST = Saturated Suction Temperature
2. kW = Compressors Input Power
3. EER = Condensing Unit EER (includes power from compressors, fans and the control panel)

Ratings - R22 (SI Units)

YCUL0016EC

LCWT (°C)	AIR TEMPERATURE ON - CONDENSER (°C)																	
	25°C			30°C			35°C			40°C			45°C			50°C		
	KWo	KWi	COP	KWo	KWi	COP	KWo	KWi	COP	KWo	KWi	COP	KWo	KWi	COP	KWo	KWi	COP
2.0	49.3	11.2	3.5	47.0	12.3	3.1	44.9	13.7	2.7	42.8	15.2	2.4	40.4	16.8	2.1	37.8	18.6	1.8
3.0	50.9	11.2	3.6	48.6	12.4	3.2	46.5	13.7	2.8	44.2	15.2	2.5	41.8	16.9	2.1	39.1	18.7	1.8
4.0	52.6	11.3	3.7	50.3	12.5	3.3	48.0	13.8	2.9	45.8	15.3	2.5	43.3	17.0	2.2	40.5	18.8	1.9
5.0	54.4	11.4	3.8	52.0	12.5	3.4	49.7	13.9	3.0	47.3	15.4	2.6	44.8	17.1	2.3	41.9	18.9	1.9
6.0	56.2	11.4	4.0	53.7	12.6	3.5	51.4	14.0	3.1	48.9	15.5	2.7	46.3	17.1	2.3	43.3	19.0	2.0
7.0	58.1	11.5	4.1	55.5	12.7	3.6	53.1	14.0	3.2	50.6	15.5	2.8	47.8	17.2	2.4	23.3	8.4	2.1
8.0	60.0	11.6	4.2	57.4	12.8	3.7	54.8	14.1	3.2	52.2	15.6	2.8	49.4	17.3	2.5	24.1	8.5	2.1
9.0	62.0	11.7	4.3	59.3	12.9	3.8	56.7	14.2	3.3	54.0	15.7	2.9	51.1	17.4	2.5	25.0	8.5	2.2
10.0	64.0	11.8	4.4	61.2	12.9	3.9	58.5	14.3	3.4	55.8	15.8	3.0	52.8	17.5	2.6	25.8	8.5	2.3
11.0	66.1	11.8	4.5	63.2	13.0	4.0	60.4	14.4	3.5	57.6	15.9	3.1	54.5	17.6	2.7	26.7	8.5	2.4
12.0	68.2	11.9	4.6	65.3	13.1	4.1	62.4	14.5	3.6	59.5	16.0	3.2	56.3	17.7	2.8	27.6	8.6	2.4

YCUL0026EC

LCWT (°C)	AIR TEMPERATURE ON - CONDENSER (°C)																	
	25°C			30°C			35°C			40°C			45°C			50°C		
	KWo	KWi	COP	KWo	KWi	COP	KWo	KWi	COP	KWo	KWi	COP	KWo	KWi	COP	KWo	KWi	COP
2.0	68.4	16.0	3.6	65.3	17.7	3.2	62.0	19.6	2.8	58.7	21.7	2.4	55.2	24.0	2.1	51.7	26.4	1.8
3.0	70.7	16.1	3.7	67.5	17.9	3.3	64.1	19.8	2.8	60.6	21.9	2.5	57.1	24.1	2.1	53.5	26.6	1.8
4.0	73.0	16.2	3.8	69.7	18.0	3.4	66.2	19.9	2.9	62.6	22.0	2.5	59.0	24.3	2.2	55.3	26.8	1.9
5.0	75.4	16.3	3.9	71.9	18.1	3.4	68.3	20.0	3.0	64.7	22.1	2.6	60.9	24.4	2.2	57.2	26.9	1.9
6.0	77.8	16.5	4.0	74.2	18.2	3.5	70.5	20.2	3.1	66.8	22.3	2.7	62.9	24.6	2.3	31.2	11.7	2.2
7.0	80.2	16.6	4.1	76.5	18.4	3.6	72.8	20.3	3.2	68.9	22.4	2.7	64.9	24.8	2.4	32.3	11.8	2.2
8.0	82.7	16.7	4.2	78.9	18.5	3.7	75.0	20.4	3.2	71.0	22.6	2.8	67.0	24.9	2.4	33.4	11.8	2.3
9.0	85.2	16.8	4.3	81.4	18.6	3.8	77.4	20.6	3.3	73.2	22.7	2.9	69.1	25.1	2.5	34.4	11.9	2.4
10.0	87.8	17.0	4.4	83.8	18.8	3.9	79.7	20.7	3.4	75.5	22.9	2.9	71.2	25.3	2.5	35.6	11.9	2.4
11.0	90.5	17.1	4.5	86.4	18.9	4.0	82.1	20.9	3.5	77.8	23.1	3.0	73.4	25.4	2.6	36.7	11.9	2.5
12.0	93.2	17.3	4.6	88.9	19.1	4.1	84.6	21.1	3.5	80.1	23.2	3.1	75.6	25.6	2.7	37.9	12.0	2.6

YCUL0030EC

LCWT (°C)	AIR TEMPERATURE ON - CONDENSER (°C)																	
	25°C			30°C			35°C			40°C			45°C			50°C		
	KWo	KWi	COP	KWo	KWi	COP	KWo	KWi	COP	KWo	KWi	COP	KWo	KWi	COP	KWo	KWi	COP
2.0	84.2	20.2	3.7	80.7	22.1	3.2	76.9	24.4	2.8	72.9	26.8	2.5	68.6	29.6	2.1	63.8	32.7	1.8
3.0	87.0	20.3	3.8	83.4	22.3	3.3	79.5	24.5	2.9	75.4	27.0	2.5	70.9	29.8	2.2	66.1	32.9	1.9
4.0	89.8	20.5	3.9	86.1	22.4	3.4	82.1	24.7	3.0	77.9	27.2	2.6	73.4	30.0	2.2	68.5	33.0	1.9
5.0	92.8	20.6	4.0	88.9	22.6	3.5	84.8	24.8	3.1	80.5	27.3	2.7	75.8	30.1	2.3	70.9	33.2	2.0
6.0	95.7	20.8	4.1	91.8	22.7	3.6	87.5	25.0	3.2	83.1	27.5	2.7	78.4	30.3	2.4	73.3	33.4	2.0
7.0	98.8	20.9	4.2	94.7	22.9	3.7	90.3	25.1	3.2	85.7	27.7	2.8	80.9	30.5	2.4	75.7	33.6	2.1
8.0	101.9	21.1	4.3	97.6	23.0	3.8	93.2	25.3	3.3	88.4	27.8	2.9	83.5	30.7	2.5	78.2	33.8	2.1
9.0	105.1	21.3	4.4	100.7	23.2	3.9	96.0	25.4	3.4	91.2	28.0	3.0	86.2	30.8	2.6	42.5	14.9	2.4
10.0	108.3	21.4	4.5	103.7	23.4	4.0	99.0	25.6	3.5	94.0	28.2	3.0	88.8	31.0	2.6	43.9	14.9	2.5
11.0	111.6	21.6	4.6	106.9	23.5	4.1	102.0	25.8	3.6	96.9	28.3	3.1	91.5	31.2	2.7	45.3	14.9	2.6
12.0	114.9	21.8	4.7	110.1	23.7	4.2	105.0	26.0	3.7	99.8	28.5	3.2	94.3	31.4	2.8	46.7	15.0	2.6

YCUL0036EC

LCWT (°C)	AIR TEMPERATURE ON - CONDENSER (°C)																	
	25°C			30°C			35°C			40°C			45°C			50°C		
	KWo	KWi	COP	KWo	KWi	COP	KWo	KWi	COP	KWo	KWi	COP	KWo	KWi	COP	KWo	KWi	COP
2.0	101.7	24.5	3.7	97.3	27.1	3.3	92.8	30.0	2.8	88.1	33.2	2.4	83.2	36.7	2.1	40.6	18.0	2.0
3.0	105.0	24.7	3.8	100.5	27.3	3.3	95.9	30.3	2.9	91.0	33.5	2.5	86.1	36.9	2.2	42.1	18.0	2.0
4.0	108.4	24.9	3.9	103.8	27.5	3.4	99.0	30.5	3.0	94.1	33.7	2.6	88.9	37.2	2.2	43.5	18.1	2.1
5.0	111.9	25.1	4.0	107.2	27.7	3.5	102.3	30.7	3.1	97.2	33.9	2.7	91.9	37.4	2.3	45.0	18.2	2.1
6.0	115.4	25.3	4.1	110.6	27.9	3.6	105.5	30.9	3.1	100.3	34.1	2.7	94.9	37.7	2.3	46.6	18.3	2.2
7.0	118.9	25.6	4.2	114.1	28.2	3.7	108.9	31.1	3.2	103.5	34.4	2.8	97.9	37.9	2.4	48.1	18.3	2.3
8.0	122.6	25.8	4.3	117.6	28.4	3.8	112.3	31.3	3.3	106.8	34.6	2.9	101.0	38.2	2.5	49.7	18.4	2.3
9.0	126.3	26.0	4.4	121.2	28.6	3.9	115.8	31.6	3.4	110.1	34.9	2.9	104.2	38.5	2.5	51.4	18.5	2.4
10.0	130.1	26.3	4.5	124.8	28.9	3.9	119.3	31.8	3.4	113.5	35.1	3.0	107.4	38.8	2.6	53.0	18.6	2.5
11.0	133.9	26.5	4.6	128.5	29.1	4.0	122.9	32.1	3.5	116.9	35.4	3.1	110.7	39.0	2.7	54.7	18.7	2.6
12.0	137.8	26.8	4.7	132.3	29.4	4.1	126.5	32.4	3.6	120.4	35.7	3.1	114.0	39.3	2.7	56.5	18.8	2.6

NOTES:

1. SST = Saturated Suction Temperature
2. kWo = Unit kW Cooling Capacity Output
3. kW_i = Compressors kW Input
4. COP = Coefficient of Performance (based on compressor and fan input kW)

YCUL0040EC

AIR TEMPERATURE ON - CONDENSER (°C)																		
LCWT (°C)	25°C			30°C			35°C			40°C			45°C			50°C		
	KWo	KWi	COP	KWo	KWi	COP	KWo	KWi	COP	KWo	KWi	COP	KWo	KWi	COP	KWo	KWi	COP
2.0	123.8	31.6	3.6	118.3	34.8	3.2	112.5	38.3	2.7	106.2	42.3	2.4	99.4	46.6	2.0	64.4	31.4	1.9
3.0	127.8	31.9	3.7	122.2	35.1	3.2	116.2	38.6	2.8	109.8	42.6	2.4	102.9	46.9	2.1	66.7	31.5	1.9
4.0	131.9	32.1	3.8	126.1	35.3	3.3	120.0	38.9	2.9	113.4	42.9	2.5	106.3	47.3	2.1	69.1	31.7	2.0
5.0	136.2	32.4	3.9	130.1	35.6	3.4	123.8	39.2	3.0	117.1	43.2	2.6	109.9	47.6	2.2	71.5	31.8	2.1
6.0	140.4	32.7	4.0	134.2	35.9	3.5	127.7	39.4	3.0	120.8	43.5	2.6	113.5	47.9	2.2	73.9	32.0	2.1
7.0	144.8	32.9	4.1	138.4	36.1	3.6	131.7	39.8	3.1	124.6	43.8	2.7	117.1	48.3	2.3	76.4	32.1	2.2
8.0	149.3	33.2	4.1	142.6	36.4	3.6	135.7	40.1	3.2	128.5	44.1	2.7	120.8	48.6	2.4	79.0	32.3	2.3
9.0	153.8	33.5	4.2	147.0	36.7	3.7	139.8	40.4	3.2	132.4	44.4	2.8	124.6	49.0	2.4	81.6	32.4	2.3
10.0	158.4	33.8	4.3	151.4	37.0	3.8	144.0	40.7	3.3	136.4	44.8	2.9	128.4	49.3	2.5	84.2	32.6	2.4
11.0	163.1	34.1	4.4	155.8	37.3	3.9	148.3	41.0	3.4	140.5	45.1	2.9	132.3	49.7	2.5	86.9	32.7	2.5
12.0	167.9	34.4	4.5	160.4	37.6	4.0	152.6	41.3	3.5	144.6	45.5	3.0	136.3	50.0	2.6	89.6	32.9	2.5

YCUL0046EC

AIR TEMPERATURE ON - CONDENSER (°C)																		
LCWT (°C)	25°C			30°C			35°C			40°C			45°C			50°C		
	KWo	KWi	COP	KWo	KWi	COP	KWo	KWi	COP	KWo	KWi	COP	KWo	KWi	COP	KWo	KWi	COP
2.0	137.3	31.3	3.7	131.4	34.7	3.3	125.2	38.5	2.8	118.8	42.7	2.5	112.2	47.2	2.1	105.3	52.2	1.8
3.0	142.0	31.4	3.8	135.9	34.9	3.4	129.5	38.7	2.9	122.8	42.9	2.5	116.1	47.4	2.2	109.1	52.4	1.9
4.0	146.7	31.6	4.0	140.4	35.0	3.5	133.9	38.9	3.0	127.0	43.1	2.6	120.0	47.7	2.3	112.9	52.7	1.9
5.0	151.6	31.8	4.1	145.1	35.2	3.6	138.3	39.0	3.1	131.3	43.3	2.7	124.1	47.9	2.3	116.7	52.9	2.0
6.0	156.6	31.9	4.2	149.9	35.4	3.7	142.9	39.2	3.2	135.6	43.5	2.8	128.2	48.1	2.4	120.7	53.1	2.1
7.0	161.7	32.1	4.3	154.8	35.6	3.8	147.5	39.4	3.3	140.1	43.7	2.8	132.5	48.3	2.5	124.7	53.4	2.1
8.0	166.9	32.3	4.4	159.7	35.8	3.9	152.3	39.6	3.4	144.6	43.9	2.9	136.8	48.6	2.5	128.7	53.7	2.2
9.0	172.2	32.5	4.5	164.8	36.0	4.0	157.2	39.8	3.5	149.2	44.1	3.0	141.2	48.8	2.6	132.9	53.9	2.2
10.0	177.6	32.7	4.6	170.0	36.2	4.1	162.1	40.0	3.6	154.0	44.3	3.1	145.7	49.0	2.7	137.0	54.1	2.3
11.0	183.2	32.9	4.8	175.3	36.4	4.2	167.2	40.2	3.7	158.8	44.5	3.2	150.3	49.2	2.7	141.3	54.3	2.4
12.0	188.8	33.2	4.9	180.7	36.6	4.3	172.4	40.5	3.7	163.8	44.8	3.3	155.0	49.5	2.8	145.7	54.5	2.5

YCUL0050EC

AIR TEMPERATURE ON - CONDENSER (°C)																		
LCWT (°C)	25°C			30°C			35°C			40°C			45°C			50°C		
	KWo	KWi	COP	KWo	KWi	COP	KWo	KWi	COP	KWo	KWi	COP	KWo	KWi	COP	KWo	KWi	COP
2.0	152.8	36.5	3.6	146.3	40.3	3.2	139.4	44.5	2.8	132.1	49.3	2.4	124.4	54.4	2.1	116.2	60.1	1.8
3.0	157.9	36.7	3.7	151.2	40.5	3.3	144.1	44.8	2.9	136.6	49.5	2.5	128.7	54.7	2.1	120.4	60.4	1.8
4.0	163.2	37.0	3.8	156.2	40.7	3.4	148.9	45.0	2.9	141.2	49.8	2.6	133.1	55.0	2.2	124.5	60.7	1.9
5.0	168.5	37.2	3.9	161.4	41.0	3.5	153.8	45.3	3.0	145.9	50.0	2.6	137.6	55.3	2.3	128.7	61.0	2.0
6.0	174.0	37.4	4.0	166.6	41.2	3.6	158.8	45.5	3.1	150.7	50.3	2.7	142.2	55.6	2.3	133.0	61.3	2.1
7.0	179.6	37.7	4.2	172.0	41.5	3.7	163.9	45.8	3.2	155.6	50.6	2.8	146.8	55.9	2.4	137.3	61.6	2.2
8.0	185.3	38.0	4.3	177.4	41.7	3.8	169.2	46.0	3.3	160.5	50.9	2.8	151.6	56.2	2.5	141.7	61.9	2.3
9.0	191.2	38.2	4.4	183.0	42.0	3.8	174.5	46.3	3.4	165.6	51.1	2.9	156.4	56.5	2.5	146.1	62.2	2.4
10.0	197.1	38.5	4.5	188.7	42.3	3.9	179.9	46.6	3.5	170.8	51.4	3.0	161.4	56.8	2.6	150.6	62.5	2.5
11.0	203.2	38.8	4.6	194.5	42.6	4.0	185.4	46.9	3.5	176.1	51.7	3.1	166.4	57.1	2.7	155.3	62.8	2.6
12.0	209.4	39.1	4.7	200.4	42.9	4.1	191.1	47.2	3.6	181.5	52.0	3.2	171.5	57.4	2.7	160.3	63.1	2.7

YCUL0056EC

AIR TEMPERATURE ON - CONDENSER (°C)																		
LCWT (°C)	25°C			30°C			35°C			40°C			45°C			50°C		
	KWo	KWi	COP	KWo	KWi	COP	KWo	KWi	COP	KWo	KWi	COP	KWo	KWi	COP	KWo	KWi	COP
2.0	168.5	41.0	3.6	161.5	45.1	3.2	153.9	49.7	2.8	145.7	54.9	2.4	136.9	60.6	2.1	127.3	66.8	1.8
3.0	174.1	41.3	3.7	166.8	45.4	3.3	159.0	50.0	2.9	150.7	55.2	2.5	141.6	60.9	2.1	132.0	67.2	1.8
4.0	179.9	41.6	3.8	172.3	45.7	3.4	164.3	50.3	2.9	155.7	55.5	2.6	146.5	61.3	2.2	136.6	67.6	1.9
5.0	185.8	41.9	3.9	177.9	46.0	3.5	169.7	50.6	3.0	160.8	55.8	2.6	151.4	61.6	2.3	141.2	68.0	2.0
6.0	191.8	42.2	4.0	183.7	46.3	3.5	175.1	50.9	3.1	166.1	56.1	2.7	156.4	62.0	2.3	145.9	68.4	2.1
7.0	197.9	42.5	4.1	189.5	46.6	3.6	180.7	51.2	3.2	171.4	56.5	2.8	161.5	62.3	2.4	150.6	68.8	2.2
8.0	204.1	42.9	4.2	195.5	46.9	3.7	186.3	51.6	3.3	176.8	56.8	2.8	166.7	62.7	2.4	155.3	69.2	2.3
9.0	210.5	43.2	4.3	201.5	47.2	3.8	192.1	51.9	3.3	182.3	57.2	2.9	172.0	63.1	2.5	160.3	69.6	2.4
10.0	217.0	43.6	4.4	207.7	47.6	3.9	198.0	52.2	3.4	188.0	57.5	3.0	177.4	63.4	2.6	165.3	70.0	2.5
11.0	223.6	43.9	4.5	214.0	47.9	4.0	204.0	52.6	3.5	193.7	57.9	3.1	182.9	63.8	2.6	170.3	70.4	2.6
12.0	230.3	44.3	4.6	220.4	48.3	4.1	210.2	52.9	3.6	199.5	58.2	3.1	188.4	64.2	2.7	175.3	70.8	2.7

NOTES:

1. SST = Saturated Suction Temperature
2. kWo = Unit kW Cooling Capacity Output
3. kW_i = Compressors kW Input
4. COP = Coefficient of Performance (based on compressor and fan input kW)

Ratings - R22 (SI Units)

YCUL0060EC

LCWT (°C)	AIR TEMPERATURE ON - CONDENSER (°C)																	
	25°C			30°C			35°C			40°C			45°C			50°C		
	KWo	KWi	COP	KWo	KWi	COP	KWo	KWi	COP	KWo	KWi	COP	KWo	KWi	COP	KWo	KWi	COP
2.0	183.9	46.8	3.5	176.0	51.6	3.1	167.6	57.0	2.7	158.8	62.9	2.3	149.5	69.4	2.0	103.4	52.4	1.8
3.0	189.9	47.2	3.6	181.8	52.0	3.2	173.2	57.4	2.8	164.1	63.3	2.4	154.6	69.9	2.1	107.1	52.7	1.8
4.0	196.1	47.6	3.7	187.7	52.4	3.2	178.8	57.8	2.8	169.5	63.8	2.4	159.7	70.3	2.1	110.9	53.0	1.9
5.0	202.3	48.0	3.8	193.7	52.8	3.3	184.6	58.2	2.9	175.0	64.2	2.5	165.0	70.8	2.2	114.7	53.2	2.0
6.0	208.7	48.4	3.9	199.8	53.2	3.4	190.5	58.6	3.0	180.6	64.7	2.6	126.5	48.5	2.3	118.6	53.5	2.0
7.0	215.2	48.8	4.0	206.1	53.6	3.5	196.5	59.1	3.0	186.4	65.2	2.6	130.6	48.7	2.4	122.6	53.8	2.1
8.0	221.9	49.2	4.1	212.4	54.1	3.6	202.5	59.5	3.1	192.2	65.6	2.7	134.8	49.0	2.5	126.6	54.1	2.1
9.0	228.6	49.7	4.1	218.9	54.5	3.6	208.7	60.0	3.2	198.1	66.1	2.8	139.2	49.3	2.5	92.9	34.6	2.3
10.0	235.5	50.2	4.2	225.5	55.0	3.7	215.0	60.5	3.3	204.1	66.6	2.8	143.5	49.5	2.6	95.9	34.8	2.4
11.0	242.4	50.7	4.3	232.2	55.5	3.8	221.4	61.0	3.3	210.2	67.2	2.9	148.0	49.8	2.7	99.0	34.9	2.4
12.0	249.5	51.2	4.4	239.0	56.0	3.9	228.0	61.5	3.4	216.4	67.7	3.0	152.5	50.1	2.7	102.2	35.0	2.5

YCUL0066EC

LCWT (°C)	AIR TEMPERATURE ON - CONDENSER (°C)																	
	25°C			30°C			35°C			40°C			45°C			50°C		
	KWo	KWi	COP	KWo	KWi	COP	KWo	KWi	COP	KWo	KWi	COP	KWo	KWi	COP	KWo	KWi	COP
2.0	202.8	48.9	3.7	194.2	54.0	3.3	185.2	59.7	2.8	175.9	66.0	2.5	166.3	72.8	2.1	81.2	35.7	2.0
3.0	209.4	49.3	3.8	200.6	54.4	3.3	191.3	60.2	2.9	181.7	66.5	2.5	171.8	73.4	2.2	84.0	35.8	2.0
4.0	216.2	49.7	3.9	207.1	54.8	3.4	197.6	60.6	3.0	187.7	67.0	2.6	177.5	73.9	2.2	86.9	36.0	2.1
5.0	223.0	50.1	4.0	213.7	55.3	3.5	204.0	61.1	3.1	193.9	67.4	2.7	183.4	74.4	2.3	89.9	36.1	2.2
6.0	230.0	50.5	4.1	220.5	55.7	3.6	210.5	61.5	3.1	200.1	67.9	2.7	189.3	74.9	2.4	93.0	36.3	2.2
7.0	237.2	51.0	4.2	227.4	56.2	3.7	217.2	62.0	3.2	206.5	68.4	2.8	195.3	75.5	2.4	96.1	36.4	2.3
8.0	244.4	51.5	4.3	234.4	56.6	3.8	223.9	62.5	3.3	212.9	68.9	2.9	201.5	76.0	2.5	99.3	36.6	2.4
9.0	251.8	51.9	4.4	241.5	57.1	3.9	230.8	63.0	3.4	219.5	69.5	2.9	207.8	76.6	2.5	102.5	36.8	2.4
10.0	259.2	52.5	4.5	248.8	57.6	3.9	237.7	63.5	3.4	226.2	70.0	3.0	214.1	77.2	2.6	105.9	36.9	2.5
11.0	266.8	53.0	4.6	256.1	58.2	4.0	244.8	64.1	3.5	233.0	70.6	3.1	220.6	77.8	2.7	109.3	37.1	2.6
12.0	274.5	53.5	4.6	263.6	58.7	4.1	252.0	64.6	3.6	239.9	71.2	3.1	227.2	78.4	2.7	112.7	37.3	2.6

YCUL0076EC

LCWT (°C)	AIR TEMPERATURE ON - CONDENSER (°C)																	
	25°C			30°C			35°C			40°C			45°C			50°C		
	KWo	KWi	COP	KWo	KWi	COP	KWo	KWi	COP	KWo	KWi	COP	KWo	KWi	COP	KWo	KWi	COP
2.0	226.0	56.8	3.6	215.9	62.7	3.1	205.1	69.4	2.7	193.8	76.6	2.3	181.8	84.6	2.0	142.0	72.7	1.8
3.0	233.5	57.2	3.7	223.0	63.2	3.2	211.9	69.8	2.8	200.3	77.1	2.4	188.0	85.2	2.0	147.0	73.1	1.8
4.0	241.1	57.6	3.7	230.3	63.6	3.3	218.9	70.3	2.8	206.9	77.7	2.5	194.4	85.7	2.1	152.1	73.5	1.9
5.0	248.9	58.1	3.8	237.7	64.1	3.4	226.0	70.8	2.9	213.6	78.2	2.5	200.8	86.3	2.2	157.3	73.9	2.0
6.0	256.8	58.5	3.9	245.2	64.5	3.4	233.2	71.2	3.0	220.5	78.7	2.6	207.4	86.9	2.2	162.6	74.3	2.0
7.0	264.8	59.0	4.0	252.9	65.0	3.5	240.5	71.7	3.1	227.5	79.3	2.6	214.0	87.5	2.3	168.0	74.7	2.1
8.0	273.0	59.5	4.1	260.8	65.5	3.6	248.0	72.2	3.1	234.6	79.8	2.7	220.8	88.1	2.3	173.5	75.1	2.1
9.0	281.4	60.0	4.2	268.8	66.0	3.7	255.6	72.8	3.2	241.9	80.3	2.8	227.7	88.7	2.4	179.0	75.6	2.2
10.0	290.0	60.4	4.3	276.9	66.5	3.8	263.3	73.3	3.3	249.3	80.9	2.8	234.7	89.3	2.4	184.7	76.0	2.2
11.0	298.7	60.9	4.4	285.2	67.0	3.9	271.2	73.8	3.4	256.8	81.5	2.9	241.9	89.9	2.5	190.4	76.4	2.3
12.0	307.5	61.5	4.5	293.6	67.5	4.0	279.2	74.4	3.4	264.4	82.1	3.0	208.9	69.7	2.7	163.4	59.8	2.5

YCUL0080EC

LCWT (°C)	AIR TEMPERATURE ON - CONDENSER (°C)																	
	25°C			30°C			35°C			40°C			45°C			50°C		
	KWo	KWi	COP	KWo	KWi	COP	KWo	KWi	COP	KWo	KWi	COP	KWo	KWi	COP	KWo	KWi	COP
2.0	251.8	62.7	3.6	241.0	69.0	3.2	229.4	76.2	2.8	216.9	84.2	2.4	203.4	93.0	2.0	131.0	63.1	1.9
3.0	260.1	63.2	3.7	249.0	69.5	3.3	237.0	76.7	2.8	224.2	84.7	2.5	210.5	93.6	2.1	135.7	63.4	1.9
4.0	268.6	63.7	3.8	257.1	70.0	3.4	244.8	77.2	2.9	231.6	85.3	2.5	217.6	94.2	2.2	140.5	63.7	2.0
5.0	277.3	64.2	3.9	265.4	70.4	3.4	252.7	77.7	3.0	239.1	85.8	2.6	224.9	94.8	2.2	145.5	64.0	2.1
6.0	286.2	64.7	4.0	273.8	71.0	3.5	260.8	78.2	3.1	247.0	86.3	2.7	232.3	95.4	2.3	150.5	64.2	2.1
7.0	295.3	65.2	4.1	282.4	71.5	3.6	269.0	78.7	3.2	254.8	86.9	2.7	239.9	96.0	2.3	155.6	64.5	2.2
8.0	304.5	65.7	4.2	291.2	72.0	3.7	277.4	79.2	3.2	262.8	87.4	2.8	247.5	96.6	2.4	160.7	64.8	2.3
9.0	314.0	66.2	4.3	300.2	72.5	3.8	285.8	79.8	3.3	271.0	88.0	2.9	255.3	97.2	2.5	166.0	65.0	2.3
10.0	323.6	66.8	4.4	309.4	73.1	3.9	294.5	80.4	3.4	279.3	88.5	2.9	263.3	97.8	2.5	171.4	65.3	2.4
11.0	333.4	67.3	4.5	318.7	73.6	4.0	303.4	80.9	3.5	287.8	89.1	3.0	271.4	98.4	2.6	176.9	65.6	2.4
12.0	343.4	67.9	4.6	328.2	74.2	4.1	312.5	81.5	3.5	296.4	89.7	3.1	279.6	99.0	2.6	182.5	65.8	2.5

NOTES:

1. SST = Saturated Suction Temperature
2. kWo = Unit kW Cooling Capacity Output
3. kW_i = Compressors kW Input
4. COP = Coefficient of Performance (based on compressor and fan input kW)

YCUL0086EC

AIR TEMPERATURE ON - CONDENSER (°C)																		
LCWT (°C)	25°C			30°C			35°C			40°C			45°C			50°C		
	KWo	KWi	COP	KWo	KWi	COP	KWo	KWi	COP	KWo	KWi	COP	KWo	KWi	COP	KWo	KWi	COP
2.0	274.3	69.7	3.6	262.2	77.0	3.1	249.5	85.1	2.7	236.1	93.9	2.3	222.0	103.6	2.0	143.9	69.7	1.9
3.0	283.3	70.3	3.7	270.8	77.6	3.2	257.7	85.7	2.8	244.0	94.6	2.4	229.5	104.4	2.1	148.9	70.1	1.9
4.0	292.4	70.9	3.8	279.6	78.2	3.3	266.1	86.3	2.9	251.9	95.3	2.5	237.1	105.1	2.1	154.0	70.4	2.0
5.0	301.7	71.5	3.9	288.5	78.8	3.4	274.6	87.0	2.9	260.0	96.1	2.5	244.8	105.9	2.2	159.3	70.8	2.1
6.0	311.2	72.1	3.9	297.6	79.5	3.5	283.3	87.7	3.0	268.3	96.8	2.6	210.8	82.7	2.4	164.6	71.2	2.1
7.0	320.9	72.8	4.0	306.8	80.2	3.5	292.1	88.4	3.1	276.7	97.6	2.7	217.7	83.2	2.4	170.1	71.6	2.2
8.0	330.7	73.5	4.1	316.2	80.8	3.6	301.0	89.1	3.1	285.3	98.3	2.7	224.6	83.8	2.5	175.6	72.0	2.2
9.0	340.7	74.2	4.2	325.7	81.6	3.7	310.2	89.9	3.2	294.0	99.1	2.8	231.7	84.3	2.5	181.3	72.4	2.3
10.0	350.9	74.9	4.3	335.5	82.3	3.8	319.5	90.6	3.3	302.9	99.9	2.8	238.9	84.8	2.6	187.1	72.8	2.4
11.0	361.2	75.6	4.4	345.4	83.0	3.9	329.0	91.4	3.4	311.9	100.7	2.9	246.3	85.4	2.7	193.0	73.2	2.4
12.0	371.7	76.4	4.5	355.5	83.8	3.9	338.6	92.2	3.4	321.0	101.6	3.0	253.7	86.0	2.7	199.0	73.6	2.5

YCUL0090EC

AIR TEMPERATURE ON - CONDENSER (°C)																		
LCWT (°C)	25°C			30°C			35°C			40°C			45°C			50°C		
	KWo	KWi	COP	KWo	KWi	COP	KWo	KWi	COP	KWo	KWi	COP	KWo	KWi	COP	KWo	KWi	COP
2.0	296.3	76.4	3.6	283.0	84.5	3.1	269.2	93.5	2.7	254.9	103.2	2.3	240.2	113.7	2.0	156.4	76.0	1.89*
3.0	305.9	77.1	3.7	292.1	85.3	3.2	277.9	94.3	2.8	263.2	104.1	2.4	248.1	114.7	2.0	161.7	76.4	1.9
4.0	315.6	77.8	3.7	301.5	86.0	3.3	286.8	95.1	2.8	271.7	105.0	2.4	256.1	115.6	2.1	167.2	76.9	2.0
5.0	325.5	78.5	3.8	311.0	86.8	3.3	295.9	95.9	2.9	280.4	105.9	2.5	264.3	116.6	2.1	172.7	77.4	2.1
6.0	335.6	79.3	3.9	320.7	87.6	3.4	305.2	96.8	3.0	289.1	106.8	2.5	272.6	117.6	2.2	178.4	77.9	2.1
7.0	345.8	80.1	4.0	330.5	88.4	3.5	314.6	97.7	3.0	298.0	107.8	2.6	281.1	118.6	2.2	184.2	78.3	2.2
8.0	356.2	80.9	4.1	340.5	89.3	3.6	324.2	98.6	3.1	307.2	108.7	2.7	289.7	119.7	2.3	190.2	78.8	2.2
9.0	366.8	81.7	4.1	350.7	90.1	3.6	333.9	99.5	3.1	316.4	109.7	2.7	298.4	120.8	2.3	196.2	79.3	2.3
10.0	377.5	82.6	4.2	361.0	91.0	3.7	343.8	100.4	3.2	325.8	110.7	2.8	307.1	121.9	2.4	202.4	79.9	2.3
11.0	388.3	83.5	4.3	371.5	92.0	3.8	353.8	101.4	3.3	335.4	111.8	2.8	315.9	123.0	2.4	208.6	80.4	2.4
12.0	399.3	84.4	4.4	382.1	92.9	3.8	364.0	102.4	3.3	345.1	112.8	2.9	325.2	124.1	2.5	215.0	80.9	2.5

YCUL0096EC

AIR TEMPERATURE ON - CONDENSER (°C)																		
LCWT (°C)	25°C			30°C			35°C			40°C			45°C			50°C		
	KWo	KWi	COP	KWo	KWi	COP	KWo	KWi	COP	KWo	KWi	COP	KWo	KWi	COP	KWo	KWi	COP
2.0	294.8	70.9	3.6	282.3	77.4	3.2	269.5	84.7	2.8	256.3	92.9	2.5	242.8	102.1	2.2	228.9	112.3	1.9
3.0	304.7	71.6	3.7	291.7	78.1	3.3	278.6	85.4	2.9	265.1	93.6	2.5	251.2	102.9	2.2	236.9	113.2	1.9
4.0	314.7	72.3	3.8	301.4	78.8	3.4	287.9	86.1	3.0	274.0	94.4	2.6	259.8	103.7	2.3	245.2	114.0	2.0
5.0	325.0	73.1	3.9	311.4	79.5	3.5	297.4	86.9	3.0	283.2	95.2	2.7	268.6	104.5	2.3	253.7	114.9	2.0
6.0	335.5	73.9	4.0	321.5	80.3	3.5	307.2	87.7	3.1	292.5	96.0	2.7	277.7	105.3	2.4	262.4	115.8	2.1
7.0	346.3	74.7	4.1	331.9	81.1	3.6	317.2	88.4	3.2	302.2	96.8	2.8	286.9	106.2	2.5	271.2	116.7	2.1
8.0	357.3	75.5	4.1	342.5	81.9	3.7	327.4	89.3	3.3	312.0	97.6	2.9	296.4	107.0	2.5	280.3	117.6	2.2
9.0	368.6	76.4	4.2	353.4	82.8	3.8	337.9	90.1	3.4	322.1	98.5	3.0	305.9	108.0	2.6	289.6	118.5	2.2
10.0	380.2	77.3	4.3	364.5	83.6	3.9	348.5	91.0	3.4	332.3	99.4	3.0	315.8	108.9	2.6	299.0	119.5	2.3
11.0	391.9	78.2	4.4	375.8	84.5	3.9	359.4	91.9	3.5	342.8	100.3	3.1	325.9	109.8	2.7	308.7	120.5	2.4
12.0	404.0	79.1	4.5	387.4	85.5	4.0	370.6	92.8	3.6	353.5	101.2	3.2	336.2	110.8	2.8	318.9	121.5	2.5

YCUL0100EC

AIR TEMPERATURE ON - CONDENSER (°C)																		
LCWT (°C)	25°C			30°C			35°C			40°C			45°C			50°C		
	KWo	KWi	COP	KWo	KWi	COP	KWo	KWi	COP	KWo	KWi	COP	KWo	KWi	COP	KWo	KWi	COP
2.0	320.5	77.7	3.6	306.4	84.8	3.2	292.3	92.6	2.8	277.9	101.4	2.5	263.4	111.2	2.2	249.1	121.9	1.9
3.0	331.1	78.6	3.7	316.7	85.5	3.3	302.1	93.4	2.9	287.3	102.2	2.5	272.4	112.1	2.2	257.7	123.0	1.9
4.0	342.0	79.4	3.8	327.1	86.3	3.4	312.1	94.2	3.0	297.0	103.1	2.6	281.8	113.0	2.3	266.6	123.9	2.0
5.0	353.1	80.3	3.9	337.8	87.2	3.5	322.4	95.1	3.0	306.8	104.0	2.7	291.2	113.9	2.3	275.7	124.9	2.0
6.0	364.4	81.2	4.0	348.8	88.0	3.5	332.9	95.9	3.1	316.8	104.9	2.7	300.9	114.8	2.4	284.9	125.9	2.1
7.0	375.9	82.2	4.0	359.9	88.9	3.6	343.6	96.8	3.2	327.1	105.8	2.8	310.8	115.8	2.5	294.4	127.0	2.1
8.0	387.7	83.2	4.1	371.2	89.9	3.7	354.5	97.8	3.3	337.6	106.7	2.9	320.9	116.8	2.5	304.0	128.1	2.2
9.0	399.7	84.2	4.2	382.8	90.9	3.8	365.6	98.7	3.3	348.3	107.7	2.9	331.0	117.9	2.6	313.9	129.1	2.2
10.0	411.9	85.3	4.3	394.6	91.9	3.8	377.0	99.7	3.4	359.3	108.7	3.0	341.5	118.9	2.6	324.0	130.3	2.3
11.0	424.4	86.4	4.4	406.6	93.0	3.9	388.5	100.8	3.5	370.4	109.7	3.1	352.2	120.0	2.7	334.1	131.5	2.4
12.0	437.0	87.6	4.4	418.8	94.1	4.0	400.4	101.8	3.6	381.8	110.8	3.1	363.2	121.1	2.8	344.9	132.7	2.5

NOTES:

1. SST = Saturated Suction Temperature
2. kWo = Unit kW Cooling Capacity Output
3. kW_i = Compressors kW Input
4. COP = Coefficient of Performance (based on compressor and fan input kW)

Ratings - R22 (SI Units)

YCUL0106EC

LCWT (°C)	AIR TEMPERATURE ON - CONDENSER (°C)																	
	25°C			30°C			35°C			40°C			45°C			50°C		
	KW _o	KW _i	COP	KW _o	KW _i	COP	KW _o	KW _i	COP	KW _o	KW _i	COP	KW _o	KW _i	COP	KW _o	KW _i	COP
2.0	356.0	90.2	3.5	340.3	98.7	3.1	324.0	108.4	2.7	307.2	119.3	2.4	289.7	131.5	2.0	227.2	111.9	1.9
3.0	367.7	91.2	3.6	351.5	99.7	3.2	334.8	109.4	2.8	317.6	120.4	2.4	299.7	132.7	2.1	235.1	112.7	1.9
4.0	379.7	92.2	3.7	363.0	100.8	3.3	345.9	110.5	2.9	328.1	121.5	2.5	309.8	133.9	2.1	243.3	113.6	2.0
5.0	391.9	93.3	3.8	374.8	101.8	3.3	357.1	111.6	2.9	338.9	122.6	2.5	320.1	135.1	2.2	251.6	114.6	2.0
6.0	404.4	94.3	3.9	386.8	102.9	3.4	368.7	112.7	3.0	350.0	123.8	2.6	330.8	136.3	2.3	260.1	115.5	2.1
7.0	417.2	95.4	3.9	399.1	104.0	3.5	380.4	113.9	3.1	361.3	125.0	2.7	341.6	137.5	2.3	268.8	116.4	2.1
8.0	430.2	96.6	4.0	411.6	105.2	3.6	392.5	115.0	3.1	372.9	126.2	2.7	352.7	138.8	2.4	277.7	117.4	2.2
9.0	443.6	97.8	4.1	424.4	106.4	3.6	404.8	116.2	3.2	384.7	127.5	2.8	364.0	140.1	2.4	286.8	118.4	2.2
10.0	457.1	99.1	4.2	437.5	107.6	3.7	417.4	117.5	3.3	396.8	128.7	2.8	375.7	141.4	2.5	296.1	119.4	2.3
11.0	471.2	100.3	4.2	450.9	108.8	3.8	430.3	118.7	3.3	409.2	130.0	2.9	387.5	142.8	2.5	306.1	120.4	2.3
12.0	485.5	101.5	4.3	464.7	110.1	3.8	443.5	120.0	3.4	421.8	131.3	3.0	399.6	144.2	2.6	316.1	121.4	2.4

YCUL0120EC

LCWT (°C)	AIR TEMPERATURE ON - CONDENSER (°C)																	
	25°C			30°C			35°C			40°C			45°C			50°C		
	KW _o	KW _i	COP	KW _o	KW _i	COP	KW _o	KW _i	COP	KW _o	KW _i	COP	KW _o	KW _i	COP	KW _o	KW _i	COP
2.0	396.6	98.6	3.5	379.8	108.0	3.1	362.4	118.6	2.7	344.1	130.6	2.4	324.8	144.2	2.1	304.0	159.5	1.8
3.0	409.8	99.6	3.6	392.5	109.0	3.2	374.6	119.7	2.8	355.9	131.7	2.4	336.1	145.4	2.1	314.9	160.7	1.8
4.0	423.3	100.6	3.7	405.5	110.1	3.3	387.2	120.8	2.9	367.9	132.9	2.5	347.7	146.5	2.2	326.1	162.0	1.9
5.0	437.2	101.6	3.8	418.9	111.2	3.3	400.0	121.9	2.9	380.3	134.0	2.6	359.5	147.8	2.2	337.4	163.3	1.9
6.0	451.5	102.7	3.9	432.5	112.3	3.4	413.1	123.0	3.0	392.9	135.2	2.6	371.6	149.0	2.3	349.1	164.6	2.0
7.0	466.0	103.8	3.9	446.5	113.4	3.5	426.5	124.2	3.1	405.7	136.5	2.7	384.0	150.3	2.3	360.9	165.9	2.0
8.0	481.0	104.9	4.0	460.9	114.5	3.6	440.3	125.4	3.2	418.9	137.7	2.8	396.6	151.6	2.4	373.0	167.4	2.1
9.0	496.3	106.0	4.1	475.6	115.7	3.7	454.3	126.7	3.2	432.4	139.0	2.8	409.5	153.0	2.5	385.5	168.7	2.1
10.0	511.9	107.2	4.2	490.6	116.9	3.7	468.8	127.9	3.3	446.2	140.4	2.9	422.6	154.5	2.5	398.2	170.2	2.2
11.0	528.0	108.4	4.3	506.0	118.2	3.8	483.5	129.2	3.4	460.2	141.8	3.0	436.3	155.8	2.6	411.1	171.7	2.2
12.0	544.5	109.6	4.4	521.7	119.5	3.9	498.5	130.6	3.4	474.7	143.2	3.0	450.3	157.2	2.6	425.1	173.2	2.3

YCUL0130EC

LCWT (°C)	AIR TEMPERATURE ON - CONDENSER (°C)																	
	25°C			30°C			35°C			40°C			45°C			50°C		
	KW _o	KW _i	COP	KW _o	KW _i	COP	KW _o	KW _i	COP	KW _o	KW _i	COP	KW _o	KW _i	COP	KW _o	KW _i	COP
2.0	435.8	109.5	3.5	416.6	119.8	3.1	397.0	131.4	2.7	376.9	144.4	2.4	356.2	158.8	2.1	335.0	174.9	1.8
3.0	450.2	110.7	3.6	430.4	121.0	3.2	410.3	132.6	2.8	389.6	145.6	2.4	368.4	160.3	2.1	346.7	176.5	1.8
4.0	464.8	111.9	3.7	444.6	122.1	3.3	423.8	133.8	2.9	402.6	147.0	2.5	380.9	161.6	2.2	359.9	178.1	1.9
5.0	479.9	113.1	3.8	459.0	123.4	3.3	437.7	135.1	2.9	415.8	148.3	2.6	393.7	163.1	2.2	373.2	179.7	2.0
6.0	495.2	114.3	3.9	473.8	124.7	3.4	451.8	136.4	3.0	429.6	149.6	2.6	406.8	164.5	2.3	387.1	181.3	2.0
7.0	511.0	115.6	3.9	488.9	126.0	3.5	466.5	137.7	3.1	443.5	151.0	2.7	420.1	165.9	2.3	401.0	182.9	2.1
8.0	527.1	117.0	4.0	504.3	127.3	3.6	481.3	139.0	3.1	457.8	152.4	2.7	433.8	167.4	2.4	415.4	184.6	2.1
9.0	543.5	118.3	4.1	520.2	128.6	3.6	496.5	140.4	3.2	472.4	153.8	2.8	447.8	169.0	2.4	430.3	186.3	2.2
10.0	560.3	119.7	4.2	536.4	130.0	3.7	512.0	141.9	3.3	487.2	155.3	2.9	461.9	170.6	2.5	445.7	188.0	2.3
11.0	577.5	121.2	4.3	552.9	131.5	3.8	527.9	143.3	3.4	502.4	156.9	2.9	476.6	172.1	2.6	461.6	189.7	2.4
12.0	595.1	122.7	4.3	569.8	133.0	3.9	544.0	144.9	3.4	517.9	158.5	3.0	491.6	173.7	2.6	477.9	191.4	2.5

NOTES:

1. SST = Saturated Suction Temperature
2. kW_o = Unit kW Cooling Capacity Output
3. kW_i = Compressors kW Input
4. COP = Coefficient of Performance (based on compressor and fan input kW)



Ratings - HFC-407C (English Units)

YCUL0016EB

SST (°F)	AIR TEMPERATURE ON CONDENSER (°F)																	
	75°F			80°F			85°F			90°F			95°F			100°F		
	TONS	KW	EER	TONS	KW	EER	TONS	KW	EER	TONS	KW	EER	TONS	KW	EER	TONS	KW	EER
35.0	13.6	11.3	11.6	13.2	12.0	10.7	12.8	12.7	9.9	12.4	13.5	9.1	12.0	14.3	8.4	11.5	15.2	7.7
37.0	14.1	11.3	12.0	13.7	12.0	11.1	13.3	12.8	10.3	12.9	13.5	9.5	12.3	14.8	8.4	11.8	15.7	7.7
39.0	14.6	11.6	12.1	14.1	12.3	11.2	13.7	13.1	10.3	13.3	13.9	9.5	12.8	14.8	8.8	12.5	15.3	8.3
41.0	15.2	11.6	12.6	14.7	12.3	11.7	14.4	12.9	11.0	14.0	13.7	10.2	13.5	14.5	9.4	13.1	15.4	8.6
43.0	15.8	11.7	13.1	15.4	12.4	12.2	14.9	13.1	11.2	14.4	14.0	10.3	13.9	14.8	9.5	13.6	15.5	8.9
45.0	16.5	11.7	13.6	16.0	12.4	12.6	15.5	13.2	11.7	15.0	14.0	10.7	14.5	14.9	9.9	14.0	15.8	9.1
47.0	17.1	11.7	14.1	16.6	12.5	13.1	16.1	13.2	12.1	15.6	14.0	11.1	15.1	14.9	10.2	14.6	15.8	9.4
49.0	17.8	11.8	14.6	17.3	12.5	13.6	16.8	13.3	12.5	16.3	14.1	11.5	15.7	15.0	10.6	15.2	15.9	9.8
51.0	18.5	11.9	15.2	18.0	12.6	14.0	17.5	13.3	13.0	16.9	14.2	12.0	16.4	15.0	11.0	15.8	16.0	10.1
53.0	19.2	11.9	15.7	18.7	12.6	14.5	18.1	13.4	13.4	17.6	14.2	12.4	17.0	15.1	11.4	16.4	16.0	10.5
55.0	20.0	12.0	16.2	19.4	12.7	15.0	18.8	13.5	13.9	18.2	14.3	12.8	17.7	15.2	11.8	17.1	16.1	10.8

YCUL0026EB

SST (°F)	AIR TEMPERATURE ON CONDENSER (°F)																	
	75°F			80°F			85°F			90°F			95°F			100°F		
	TONS	KW	EER	TONS	KW	EER	TONS	KW	EER	TONS	KW	EER	TONS	KW	EER	TONS	KW	EER
35.0	18.8	16.5	11.7	18.2	17.6	10.7	17.6	18.7	9.9	17.1	19.8	9.1	16.5	21.0	8.3	15.9	22.3	7.6
37.0	19.5	16.6	12.1	19.0	17.7	11.1	18.4	18.8	10.2	17.8	19.9	9.4	17.2	21.2	8.6	16.6	22.4	7.9
39.0	20.3	16.8	12.5	19.7	17.8	11.5	19.1	18.9	10.6	18.5	20.1	9.7	17.9	21.3	8.9	17.3	22.6	8.2
41.0	21.1	16.9	12.9	20.5	17.9	11.9	19.9	19.0	10.9	19.2	20.2	10.0	18.6	21.4	9.2	18.0	22.8	8.4
43.0	22.0	17.0	13.3	21.3	18.1	12.3	20.6	19.2	11.3	20.0	20.4	10.4	19.3	21.6	9.5	18.7	22.9	8.7
45.0	22.8	17.1	13.7	22.1	18.2	12.7	21.5	19.3	11.6	20.8	20.5	10.7	20.1	21.8	9.8	19.4	23.1	9.0
47.0	23.7	17.3	14.2	23.0	18.3	13.0	22.3	19.5	12.0	21.6	20.7	11.0	20.9	21.9	10.1	20.2	23.3	9.3
49.0	24.5	17.4	14.6	23.8	18.5	13.4	23.1	19.6	12.4	22.4	20.8	11.4	21.7	22.1	10.4	21.0	23.4	9.6
51.0	25.5	17.6	15.0	24.7	18.6	13.8	24.0	19.8	12.7	23.2	21.0	11.7	22.5	22.3	10.8	21.8	23.6	9.9
53.0	26.4	17.7	15.4	25.6	18.8	14.2	24.9	20.0	13.1	24.1	21.2	12.1	23.3	22.5	11.1	22.6	23.8	10.2
55.0	27.3	17.9	15.9	26.6	19.0	14.6	25.8	20.1	13.5	25.0	21.4	12.4	24.2	22.7	11.4	23.4	24.0	10.5

YCUL0030EB

SST (°F)	AIR TEMPERATURE ON CONDENSER (°F)																	
	75°F			80°F			85°F			90°F			95°F			100°F		
	TONS	KW	EER	TONS	KW	EER	TONS	KW	EER	TONS	KW	EER	TONS	KW	EER	TONS	KW	EER
35.0	23.4	20.6	12.0	22.7	21.8	11.1	22.0	23.1	10.2	21.3	24.5	9.4	20.6	25.9	8.6	20.0	27.1	8.0
37.0	24.3	20.8	12.4	23.6	22.0	11.4	22.9	23.2	10.6	22.2	24.6	9.7	21.4	26.1	8.9	20.7	27.6	8.2
39.0	25.3	20.9	12.8	24.6	22.1	11.8	23.9	23.4	10.9	23.1	24.8	10.0	22.3	26.3	9.2	21.5	27.8	8.4
41.0	26.3	21.1	13.2	25.6	22.3	12.2	24.8	23.6	11.3	24.0	25.0	10.4	23.2	26.4	9.5	22.4	28.0	8.7
43.0	27.4	21.3	13.6	26.6	22.5	12.6	25.8	23.8	11.6	25.0	25.2	10.7	24.2	26.7	9.8	23.3	28.2	9.0
45.0	28.4	21.6	14.0	27.6	22.8	13.0	26.8	24.1	12.0	25.9	25.4	11.0	25.1	26.9	10.2	24.3	28.4	9.3
47.0	29.5	21.8	14.4	28.7	23.0	13.3	27.8	24.3	12.3	27.0	25.7	11.4	26.1	27.1	10.5	25.2	28.7	9.6
49.0	30.6	22.1	14.8	29.8	23.2	13.7	28.9	24.5	12.7	28.0	25.9	11.7	27.1	27.4	10.8	26.2	29.0	9.9
51.0	31.8	22.3	15.2	30.9	23.5	14.1	30.0	24.8	13.0	29.1	26.2	12.0	28.1	27.7	11.1	27.2	29.2	10.2
53.0	33.0	22.6	15.6	32.0	23.8	14.5	31.1	25.1	13.4	30.2	26.5	12.4	29.2	28.0	11.4	28.3	29.5	10.5
55.0	34.2	22.9	16.0	33.2	24.1	14.8	32.3	25.4	13.7	31.3	26.8	12.7	30.3	28.3	11.7	29.3	29.8	10.8

YCUL0036EB

SST (°F)	AIR TEMPERATURE ON CONDENSER (°F)																	
	75°F			80°F			85°F			90°F			95°F			100°F		
	TONS	KW	EER	TONS	KW	EER	TONS	KW	EER	TONS	KW	EER	TONS	KW	EER	TONS	KW	EER
35.0	28.4	25.0	12.3	27.6	26.6	11.3	26.8	28.2	10.4	26.0	29.9	9.5	25.2	31.8	8.7	24.3	33.7	8.0
37.0	29.6	25.2	12.7	28.8	26.7	11.7	27.9	28.4	10.8	27.1	30.1	9.9	26.2	31.9	9.1	25.4	33.9	8.3
39.0	30.8	25.3	13.1	29.9	26.9	12.1	29.1	28.5	11.1	28.2	30.3	10.2	27.3	32.1	9.4	26.4	34.0	8.6
41.0	32.0	25.5	13.6	31.1	27.1	12.5	30.2	28.7	11.5	29.3	30.5	10.6	28.4	32.3	9.7	27.5	34.2	8.9
43.0	33.3	25.7	14.0	32.4	27.3	12.9	31.4	28.9	11.9	30.5	30.7	10.9	29.6	32.5	10.0	28.6	34.5	9.2
45.0	34.6	25.9	14.5	33.6	27.5	13.3	32.7	29.1	12.3	31.7	30.9	11.3	30.7	32.8	10.4	29.7	34.7	9.5
47.0	35.9	26.1	14.9	34.9	27.7	13.7	33.9	29.4	12.7	32.9	31.1	11.6	31.9	33.0	10.7	30.9	35.0	9.8
49.0	37.2	26.4	15.3	36.2	27.9	14.1	35.2	29.6	13.0	34.2	31.4	12.0	33.1	33.3	11.0	32.1	35.2	10.1
51.0	38.6	26.6	15.7	37.6	28.2	14.6	36.5	29.9	13.4	35.4	31.6	12.3	34.4	33.5	11.3	33.3	35.5	10.4
53.0	40.0	26.8	16.2	38.9	28.4	15.0	37.8	30.1	13.8	36.7	31.9	12.7	35.6	33.8	11.7	34.5	35.8	10.7
55.0	41.4	27.1	16.6	40.3	28.7	15.3	39.2	30.4	14.2	38.1	32.2	13.1	36.9	34.1	12.0	35.8	36.1	11.0

NOTES:

1. SST = Saturated Suction Temperature
2. kW = Compressors Input Power
3. EER = Condensing Unit EER (includes power from compressors, fans and the control panel)

YCUL0016EB

AIR TEMPERATURE ON CONDENSER (°F)															
SST (°F)	105°F			110°F			115°F			120°F			125°F		
	TONS	KW	EER	TONS	KW	EER	TONS	KW	EER	TONS	KW	EER	TONS	KW	EER
35.0	11.1	16.1	7.1	10.7	17.1	6.5	10.1	18.5	5.7	5.1	8.8	5.3	4.9	9.3	4.8
37.0	11.4	16.6	7.1	11.0	17.6	6.5	10.7	18.2	6.2	5.3	8.8	5.5	5.1	9.3	5.1
39.0	12.1	16.3	7.6	11.6	17.2	7.0	11.2	18.3	6.4	5.5	8.8	5.7	5.3	9.3	5.3
41.0	12.6	16.4	7.9	12.1	17.3	7.2	11.7	18.4	6.6	5.8	8.8	6.0	5.6	9.3	5.5
43.0	13.1	16.4	8.2	12.6	17.4	7.5	12.2	18.5	6.9	6.0	8.8	6.2	5.8	9.4	5.7
45.0	13.5	16.8	8.3	13.0	17.8	7.6	12.6	18.8	7.0	6.3	8.8	6.5	6.1	9.4	6.0
47.0	14.1	16.8	8.6	13.6	17.8	7.9	13.1	18.9	7.2	6.6	8.9	6.8	6.3	9.4	6.2
49.0	14.7	16.9	8.9	14.1	17.9	8.2	13.6	19.0	7.5	6.9	8.9	7.0	6.6	9.4	6.5
51.0	15.3	17.0	9.3	14.7	18.0	8.5	7.4	8.4	8.0	7.1	8.9	7.3	6.9	9.4	6.7
53.0	15.9	17.0	9.6	15.3	18.1	8.8	7.7	8.4	8.3	7.4	8.9	7.6	7.2	9.5	7.0
55.0	16.5	17.1	9.9	15.9	18.2	9.1	8.0	8.4	8.6	7.7	8.9	7.9	7.5	9.5	7.3

YCUL0026EB

AIR TEMPERATURE ON CONDENSER (°F)															
SST (°F)	105°F			110°F			115°F			120°F			125°F		
	TONS	KW	EER	TONS	KW	EER	TONS	KW	EER	TONS	KW	EER	TONS	KW	EER
35.0	15.4	23.6	7.0	14.8	25.1	6.4	14.3	26.5	5.8	7.2	12.3	5.7	6.9	13.0	5.3
37.0	16.0	23.8	7.2	15.4	25.2	6.6	14.9	26.7	6.1	7.5	12.3	6.0	7.3	13.1	5.5
39.0	16.7	24.0	7.5	16.1	25.4	6.8	15.5	26.9	6.3	7.9	12.4	6.2	7.6	13.1	5.7
41.0	17.3	24.1	7.7	16.7	25.6	7.1	8.5	11.8	7.0	8.2	12.5	6.4	7.9	13.3	5.9
43.0	18.0	24.3	8.0	17.4	25.8	7.3	8.8	11.8	7.3	8.5	12.6	6.7	8.2	13.3	6.1
45.0	18.8	24.5	8.3	18.1	26.0	7.6	9.2	11.9	7.5	8.9	12.6	6.9	8.6	13.4	6.4
47.0	19.5	24.7	8.5	18.8	26.2	7.8	9.6	11.9	7.8	9.3	12.6	7.2	8.9	13.4	6.6
49.0	20.3	24.9	8.8	19.6	26.4	8.1	10.0	11.9	8.2	9.6	12.7	7.5	9.3	13.5	6.9
51.0	21.0	25.1	9.1	20.3	26.6	8.3	10.4	12.0	8.5	10.0	12.7	7.8	9.7	13.5	7.1
53.0	21.8	25.3	9.3	21.1	26.8	8.6	10.8	12.0	8.8	10.5	12.8	8.1	10.1	13.6	7.4
55.0	22.7	25.5	9.6	11.7	11.3	9.9	11.3	12.1	9.1	10.9	12.8	8.4	10.5	13.6	7.7

YCUL0030EB

AIR TEMPERATURE ON CONDENSER (°F)															
SST (°F)	105°F			110°F			115°F			120°F			125°F		
	TONS	KW	EER	TONS	KW	EER	TONS	KW	EER	TONS	KW	EER	TONS	KW	EER
35.0	19.2	28.7	7.3	18.5	30.3	6.7	17.8	32.0	6.1	17.1	33.7	5.6	8.5	16.1	5.4
37.0	19.9	29.2	7.5	19.2	30.9	6.8	18.4	32.6	6.2	9.3	15.4	6.1	8.9	16.2	5.6
39.0	20.8	29.4	7.7	20.0	31.1	7.1	19.2	32.8	6.5	9.7	15.5	6.4	9.3	16.3	5.8
41.0	21.6	29.6	8.0	20.8	31.3	7.3	20.0	33.0	6.7	10.1	15.5	6.6	9.7	16.4	6.1
43.0	22.5	29.8	8.3	21.7	31.5	7.6	20.9	33.3	6.9	10.5	15.6	6.9	10.1	16.5	6.3
45.0	23.4	30.1	8.5	22.6	31.8	7.8	21.7	33.6	7.2	11.0	15.7	7.1	10.6	16.6	6.5
47.0	24.4	30.3	8.8	23.5	32.1	8.1	22.6	33.8	7.4	11.4	15.8	7.4	11.0	16.7	6.8
49.0	25.3	30.6	9.1	24.4	32.3	8.3	12.4	15.0	8.4	11.9	15.9	7.7	11.5	16.8	7.0
51.0	26.3	30.9	9.4	25.4	32.6	8.6	12.9	15.1	8.7	12.4	15.9	8.0	12.0	16.9	7.3
53.0	27.3	31.2	9.7	26.4	32.9	8.9	13.4	15.2	8.9	12.9	16.1	8.2	12.4	17.0	7.5
55.0	28.4	31.5	9.9	27.4	33.3	9.1	13.9	15.3	9.3	13.4	16.2	8.5	12.9	17.1	7.8

YCUL0036EB

AIR TEMPERATURE ON CONDENSER (°F)															
SST (°F)	105°F			110°F			115°F			120°F			125°F		
	TONS	KW	EER	TONS	KW	EER	TONS	KW	EER	TONS	KW	EER	TONS	KW	EER
35.0	23.5	35.7	7.3	22.6	37.8	6.7	11.4	17.8	6.6	10.9	18.8	6.1	10.5	20.0	5.5
37.0	24.5	35.9	7.6	23.6	38.0	6.9	11.9	17.8	6.9	11.4	18.9	6.3	11.0	20.0	5.8
39.0	25.5	36.1	7.9	24.6	38.2	7.2	12.4	17.9	7.2	11.9	19.0	6.6	11.4	20.1	6.0
41.0	26.5	36.3	8.1	25.6	38.5	7.4	12.9	18.0	7.5	12.4	19.0	6.8	11.9	20.2	6.2
43.0	27.6	36.5	8.4	26.6	38.7	7.7	13.4	18.0	7.8	12.9	19.1	7.1	12.4	20.3	6.5
45.0	28.7	36.8	8.7	27.7	39.0	8.0	14.0	18.1	8.0	13.5	19.2	7.4	13.0	20.3	6.7
47.0	29.8	37.0	9.0	28.8	39.2	8.2	14.6	18.1	8.4	14.0	19.3	7.6	13.5	20.4	7.0
49.0	31.0	37.3	9.3	29.9	39.5	8.5	15.2	18.2	8.7	14.6	19.3	7.9	14.1	20.5	7.2
51.0	32.2	37.6	9.5	31.0	39.8	8.7	15.8	18.3	9.0	15.2	19.4	8.2	14.6	20.6	7.5
53.0	33.4	37.9	9.8	17.0	17.3	10.1	16.4	18.4	9.3	15.8	19.5	8.5	15.2	20.7	7.8
55.0	34.6	38.2	10.1	17.6	17.5	10.4	17.0	18.6	9.5	16.4	19.7	8.7	15.8	20.9	8.0

NOTES:

1. SST = Saturated Suction Temperature
2. kW = Compressors Input Power
3. EER = Condensing Unit EER (includes power from compressors, fans and the control panel)

Ratings - HFC-407C (English Units)

YCUL0040EB

SST (°F)	AIR TEMPERATURE ON CONDENSER (°F)																	
	75°F			80°F			85°F			90°F			95°F			100°F		
	TONS	KW	EER	TONS	KW	EER	TONS	KW	EER	TONS	KW	EER	TONS	KW	EER	TONS	KW	EER
35.0	34.5	31.9	11.9	33.4	33.8	10.9	32.4	35.8	10.0	31.3	38.0	9.2	30.2	40.2	8.4	29.1	42.5	7.7
37.0	35.8	32.3	12.2	34.7	34.2	11.3	33.6	36.2	10.4	32.5	38.3	9.5	31.4	40.6	8.7	30.3	42.9	7.9
39.0	37.2	32.7	12.6	36.1	34.5	11.6	35.0	36.6	10.7	33.8	38.7	9.8	32.7	41.0	8.9	31.5	43.4	8.2
41.0	38.6	33.0	12.9	37.5	34.9	11.9	36.3	37.0	11.0	35.1	39.1	10.1	33.9	41.4	9.2	32.7	43.8	8.4
43.0	40.1	33.4	13.3	38.9	35.4	12.2	37.7	37.4	11.3	36.5	39.5	10.3	35.3	41.8	9.5	34.0	44.2	8.7
45.0	41.6	33.8	13.6	40.4	35.8	12.6	39.1	37.8	11.6	37.9	40.0	10.6	36.6	42.3	9.7	35.4	44.7	8.9
47.0	43.2	34.3	14.0	41.9	36.2	12.9	40.6	38.2	11.9	39.3	40.4	10.9	38.0	42.8	10.0	36.7	45.2	9.2
49.0	44.8	34.7	14.3	43.4	36.7	13.2	42.1	38.7	12.2	40.8	40.9	11.2	39.4	43.2	10.3	38.1	45.7	9.4
51.0	46.4	35.2	14.7	45.0	37.1	13.5	43.7	39.2	12.5	42.3	41.4	11.5	40.9	43.7	10.5	39.5	46.2	9.7
53.0	48.1	35.7	15.0	46.7	37.6	13.9	45.2	39.7	12.8	43.9	41.9	11.8	42.4	44.3	10.8	41.0	46.8	9.9
55.0	49.8	36.2	15.3	48.3	38.1	14.2	46.9	40.2	13.1	45.4	42.4	12.1	44.0	44.8	11.1	42.5	47.3	10.2

YCUL0046EB

SST (°F)	AIR TEMPERATURE ON CONDENSER (°F)																	
	75°F			80°F			85°F			90°F			95°F			100°F		
	TONS	KW	EER	TONS	KW	EER	TONS	KW	EER	TONS	KW	EER	TONS	KW	EER	TONS	KW	EER
35.0	37.8	31.8	12.1	36.7	33.8	11.2	35.6	35.9	10.3	34.5	38.2	9.5	33.4	40.6	8.7	32.3	43.1	7.9
37.0	39.4	32.0	12.6	38.3	33.9	11.6	36.5	37.2	10.2	35.4	39.5	9.4	34.8	40.7	9.0	33.6	43.2	8.3
39.0	40.6	32.8	12.7	39.8	34.1	12.0	38.7	36.2	11.1	37.5	38.5	10.2	36.3	40.9	9.4	35.1	43.4	8.6
41.0	42.7	32.2	13.5	41.5	34.2	12.5	40.3	36.3	11.5	39.0	38.6	10.6	37.8	41.0	9.7	36.5	43.6	8.9
43.0	44.4	32.4	14.0	43.1	34.4	12.9	41.9	36.5	11.9	40.6	38.8	11.0	39.3	41.2	10.1	38.1	43.8	9.2
45.0	46.2	32.5	14.5	44.9	34.5	13.4	43.6	36.7	12.4	42.2	39.0	11.4	40.9	41.4	10.5	39.6	44.0	9.6
47.0	47.8	33.0	14.9	46.4	35.0	13.7	45.1	37.2	12.6	43.9	39.2	11.8	42.5	41.8	10.8	41.2	44.2	9.9
49.0	49.7	33.1	15.4	48.3	35.1	14.2	46.9	37.4	13.1	45.5	39.7	12.0	44.1	42.2	11.1	42.6	44.8	10.1
51.0	51.6	33.2	16.0	50.2	35.3	14.7	48.7	37.5	13.6	47.3	39.8	12.5	45.8	42.4	11.5	44.4	45.0	10.5
53.0	53.6	33.4	16.5	52.1	35.4	15.2	50.6	37.6	14.1	49.1	40.0	12.9	47.6	42.5	11.9	46.2	45.2	10.9
55.0	55.6	33.6	17.0	54.1	35.6	15.8	52.6	37.8	14.5	51.0	40.2	13.4	49.5	42.7	12.3	47.9	45.4	11.3

YCUL0050EB

SST (°F)	AIR TEMPERATURE ON CONDENSER (°F)																	
	75°F			80°F			85°F			90°F			95°F			100°F		
	TONS	KW	EER	TONS	KW	EER	TONS	KW	EER	TONS	KW	EER	TONS	KW	EER	TONS	KW	EER
35.0	42.3	37.5	11.8	41.0	39.8	10.8	39.8	42.3	10.0	38.5	44.9	9.2	37.2	47.6	8.4	35.9	50.5	7.7
37.0	44.0	37.8	12.2	42.7	40.0	11.2	41.4	42.5	10.3	40.1	45.1	9.5	38.8	47.9	8.7	37.4	50.7	8.0
39.0	45.8	38.0	12.6	44.5	40.3	11.6	43.1	42.8	10.7	41.8	45.4	9.8	40.4	48.1	9.0	39.0	51.0	8.3
41.0	47.6	38.3	13.0	46.3	40.6	12.0	44.9	43.0	11.1	43.5	45.6	10.2	42.0	48.4	9.3	40.6	51.3	8.6
43.0	49.5	38.6	13.4	48.1	40.9	12.4	46.7	43.3	11.4	45.2	45.9	10.5	43.8	48.7	9.7	42.3	51.7	8.9
45.0	51.4	39.1	13.8	50.0	41.2	12.8	48.5	43.6	11.8	47.0	46.3	10.9	45.5	49.1	10.0	44.0	52.0	9.2
47.0	53.4	39.4	14.3	51.9	41.7	13.2	50.3	44.2	12.1	48.8	46.8	11.2	47.3	49.4	10.3	45.8	52.4	9.5
49.0	55.5	39.7	14.7	53.9	42.0	13.6	52.3	44.5	12.5	50.7	47.1	11.5	49.1	49.9	10.6	47.4	53.0	9.7
51.0	57.6	40.0	15.1	56.0	42.3	14.0	54.3	44.8	12.9	52.6	47.5	11.9	51.0	50.3	10.9	49.3	53.3	10.0
53.0	59.8	40.4	15.6	58.1	42.7	14.4	56.4	45.2	13.3	54.7	47.8	12.3	53.0	50.7	11.3	51.2	53.7	10.4
55.0	62.0	40.8	16.0	60.3	43.1	14.9	58.5	45.6	13.7	56.7	48.2	12.6	55.0	51.1	11.6	53.2	54.1	10.7

YCUL0056EB

SST (°F)	AIR TEMPERATURE ON CONDENSER (°F)																	
	75°F			80°F			85°F			90°F			95°F			100°F		
	TONS	KW	EER	TONS	KW	EER	TONS	KW	EER	TONS	KW	EER	TONS	KW	EER	TONS	KW	EER
35.0	46.8	41.9	11.8	45.4	44.4	10.9	44.0	47.1	10.0	42.5	49.9	9.2	41.1	52.8	8.4	39.6	56.0	7.7
37.0	48.7	42.2	12.2	47.3	44.7	11.3	45.8	47.4	10.4	44.3	50.2	9.5	42.8	53.2	8.7	41.3	56.3	8.0
39.0	50.7	42.6	12.6	49.2	45.1	11.6	47.7	47.8	10.7	46.1	50.6	9.9	44.6	53.6	9.0	43.0	56.8	8.3
41.0	52.7	43.0	13.0	51.2	45.5	12.0	49.6	48.1	11.1	48.0	51.0	10.2	46.4	54.0	9.3	44.8	57.2	8.6
43.0	54.8	43.4	13.4	53.2	45.9	12.4	51.6	48.6	11.4	49.9	51.4	10.5	48.3	54.5	9.6	46.6	57.7	8.8
45.0	56.9	43.9	13.8	55.3	46.3	12.8	53.6	49.0	11.8	51.9	51.9	10.8	50.2	55.0	9.9	48.5	58.1	9.1
47.0	59.1	44.4	14.2	57.4	46.8	13.1	55.7	49.5	12.1	53.9	52.4	11.2	52.2	55.4	10.3	50.4	58.6	9.4
49.0	61.4	44.9	14.6	59.6	47.3	13.5	57.8	50.0	12.5	56.0	52.9	11.5	54.2	55.9	10.6	52.4	59.2	9.7
51.0	63.7	45.4	15.0	61.8	47.9	13.9	60.0	50.5	12.8	58.1	53.4	11.8	56.3	56.5	10.9	54.4	59.8	10.0
53.0	66.0	46.0	15.4	64.2	48.4	14.3	62.3	51.1	13.2	60.3	54.0	12.2	58.4	57.1	11.2	56.5	60.3	10.3
55.0	68.5	46.6	15.8	66.5	49.0	14.6	64.6	51.7	13.5	62.6	54.6	12.5	60.6	57.7	11.5	58.6	61.0	10.6

NOTES:

1. SST = Saturated Suction Temperature
2. kW = Compressors Input Power
3. EER = Condensing Unit EER (includes power from compressors, fans and the control panel)

YCUL0040EB

AIR TEMPERATURE ON CONDENSER (°F)															
SST (°F)	105°F			110°F			115°F			120°F			125°F		
	TONS	KW	EER	TONS	KW	EER	TONS	KW	EER	TONS	KW	EER	TONS	KW	EER
35.0	28.0	44.9	7.0	26.9	47.4	6.4	25.9	49.9	5.9	17.1	32.6	5.8	16.4	34.3	5.3
37.0	29.2	45.4	7.3	28.0	47.8	6.6	27.0	50.4	6.1	17.9	32.8	6.0	17.2	34.5	5.5
39.0	30.3	45.8	7.5	29.2	48.3	6.9	28.1	50.9	6.3	18.7	33.0	6.3	17.9	34.7	5.7
41.0	31.6	46.3	7.7	30.4	48.8	7.1	20.3	31.5	7.1	19.5	33.2	6.5	18.7	35.0	5.9
43.0	32.8	46.7	7.9	31.6	49.3	7.3	21.1	31.7	7.4	20.3	33.5	6.7	19.5	35.2	6.2
45.0	34.1	47.2	8.2	32.9	49.8	7.5	22.0	31.9	7.6	21.2	33.7	7.0	20.4	35.5	6.4
47.0	35.4	47.7	8.4	34.1	50.3	7.7	22.9	32.2	7.9	22.1	33.9	7.2	21.2	35.8	6.6
49.0	36.8	48.3	8.6	35.5	50.9	7.9	23.9	32.4	8.1	23.0	34.2	7.5	22.1	36.1	6.8
51.0	38.2	48.8	8.9	25.8	30.9	9.2	24.8	32.7	8.4	23.9	34.5	7.7	23.0	36.4	7.1
53.0	39.6	49.4	9.1	26.8	31.1	9.5	25.8	32.9	8.7	24.9	34.8	8.0	24.0	36.6	7.3
55.0	41.1	50.0	9.3	27.8	31.4	9.8	26.8	33.2	9.0	25.9	35.0	8.2	24.9	37.0	7.5

YCUL0046EB

AIR TEMPERATURE ON CONDENSER (°F)															
SST (°F)	105°F			110°F			115°F			120°F			125°F		
	TONS	KW	EER	TONS	KW	EER	TONS	KW	EER	TONS	KW	EER	TONS	KW	EER
35.0	30.5	47.3	6.9	29.4	50.2	6.3	29.0	51.4	6.1	14.2	25.0	5.6	13.7	26.5	5.1
37.0	32.5	45.9	7.6	31.3	48.7	6.9	30.2	51.7	6.3	14.9	25.1	5.8	14.3	26.6	5.3
39.0	33.9	46.1	7.9	32.7	48.9	7.2	31.5	51.9	6.6	15.5	25.1	6.1	14.9	26.6	5.6
41.0	35.3	46.3	8.2	34.1	49.1	7.5	32.9	52.1	6.8	16.2	25.1	6.3	15.6	26.7	5.8
43.0	36.8	46.5	8.5	35.5	49.3	7.8	34.3	52.3	7.1	16.9	25.2	6.6	16.3	26.7	6.1
45.0	38.3	46.7	8.8	37.0	49.6	8.0	35.7	52.6	7.4	17.7	25.2	6.9	17.0	26.7	6.3
47.0	39.8	46.9	9.1	38.5	49.8	8.3	37.2	52.8	7.6	18.4	25.2	7.2	17.7	26.8	6.6
49.0	41.5	47.1	9.4	40.1	50.0	8.6	38.7	53.1	7.9	19.2	25.3	7.5	18.5	26.8	6.9
51.0	42.9	47.8	9.6	41.4	50.8	8.8	40.0	53.9	8.1	20.0	25.3	7.8	19.3	26.9	7.1
53.0	44.6	47.9	10.0	43.1	50.9	9.2	21.6	23.8	8.8	20.9	25.3	8.1	20.1	26.9	7.4
55.0	46.4	48.2	10.4	44.9	51.1	9.5	22.5	23.9	9.2	21.7	25.4	8.4	20.9	27.0	7.7

YCUL0050EB

AIR TEMPERATURE ON CONDENSER (°F)															
SST (°F)	105°F			110°F			115°F			120°F			125°F		
	TONS	KW	EER	TONS	KW	EER	TONS	KW	EER	TONS	KW	EER	TONS	KW	EER
35.0	34.6	53.5	7.0	33.3	56.6	6.4	32.2	59.5	5.9	15.9	28.6	5.6	15.3	30.3	5.1
37.0	36.1	53.7	7.3	34.8	56.9	6.7	33.5	60.2	6.1	16.7	28.7	5.8	16.0	30.4	5.3
39.0	37.6	54.0	7.6	36.3	57.2	6.9	34.9	60.5	6.3	17.4	28.8	6.1	16.7	30.5	5.6
41.0	39.2	54.4	7.8	37.8	57.6	7.2	27.0	42.0	6.8	18.2	28.9	6.3	17.5	30.6	5.8
43.0	40.8	54.7	8.1	39.4	57.9	7.4	19.7	27.4	7.2	19.0	29.0	6.6	18.2	30.8	6.0
45.0	42.5	55.1	8.4	41.0	58.4	7.7	20.5	27.5	7.4	19.8	29.1	6.8	19.0	30.9	6.3
47.0	44.2	55.5	8.7	42.6	58.8	7.9	21.4	27.6	7.7	20.6	29.3	7.1	19.8	31.0	6.5
49.0	45.8	56.1	8.9	44.2	59.5	8.2	22.3	27.7	8.0	21.5	29.4	7.4	20.7	31.1	6.8
51.0	47.7	56.5	9.2	46.0	59.8	8.4	23.2	27.8	8.4	22.4	29.5	7.7	21.6	31.2	7.0
53.0	49.5	56.9	9.5	47.8	60.3	8.7	24.2	28.0	8.6	23.3	29.7	7.9	22.4	31.4	7.3
55.0	51.5	57.4	9.8	36.9	41.3	9.5	25.2	28.1	9.0	24.3	29.8	8.2	23.4	31.6	7.5

YCUL0056EB

AIR TEMPERATURE ON CONDENSER (°F)															
SST (°F)	105°F			110°F			115°F			120°F			125°F		
	TONS	KW	EER	TONS	KW	EER	TONS	KW	EER	TONS	KW	EER	TONS	KW	EER
35.0	38.2	59.2	7.1	36.7	62.6	6.5	35.5	65.3	6.0	17.7	31.2	5.8	17.0	33.0	5.3
37.0	39.8	59.6	7.3	38.3	63.0	6.7	36.8	66.4	6.1	18.5	31.4	6.0	17.7	33.1	5.5
39.0	41.5	60.0	7.6	39.9	63.4	6.9	38.4	66.9	6.4	19.3	31.5	6.2	18.5	33.3	5.7
41.0	43.2	60.5	7.8	41.6	63.9	7.2	40.0	67.4	6.6	20.2	31.7	6.5	19.4	33.5	5.9
43.0	45.0	61.0	8.1	43.3	64.4	7.4	41.7	68.0	6.8	21.0	31.9	6.7	20.2	33.7	6.2
45.0	46.8	61.5	8.4	45.1	65.0	7.7	22.8	30.3	7.6	21.9	32.0	7.0	21.1	33.9	6.4
47.0	48.6	62.0	8.6	46.9	65.6	7.9	23.8	30.4	7.9	22.9	32.2	7.3	22.0	34.1	6.6
49.0	50.6	62.6	8.9	48.8	66.1	8.2	24.7	30.6	8.2	23.8	32.4	7.5	22.9	34.3	6.9
51.0	52.5	63.2	9.2	50.7	66.8	8.4	25.8	30.8	8.5	24.8	32.6	7.8	23.9	34.5	7.2
53.0	54.6	63.8	9.4	52.7	67.4	8.7	26.8	31.1	8.8	25.8	32.9	8.0	24.8	34.8	7.4
55.0	56.7	64.4	9.7	28.9	29.5	9.9	27.9	31.2	9.1	26.9	33.1	8.3	25.8	35.0	7.6

NOTES:

1. SST = Saturated Suction Temperature
2. kW = Compressors Input Power
3. EER = Condensing Unit EER (includes power from compressors, fans and the control panel)

Ratings - HFC-407C (English Units)

YCUL0060EB

SST (°F)	AIR TEMPERATURE ON CONDENSER (°F)																	
	75°F			80°F			85°F			90°F			95°F			100°F		
	TONS	KW	EER	TONS	KW	EER	TONS	KW	EER	TONS	KW	EER	TONS	KW	EER	TONS	KW	EER
35.0	51.2	47.6	11.6	49.8	50.5	10.6	48.3	53.5	9.8	46.7	56.7	9.0	45.2	60.1	8.3	43.6	63.6	7.6
37.0	53.3	48.0	11.9	51.8	50.9	11.0	50.2	53.9	10.1	48.6	57.2	9.3	47.1	60.6	8.6	45.4	64.1	7.8
39.0	55.4	48.5	12.3	53.8	51.3	11.3	52.2	54.4	10.4	50.6	57.6	9.6	48.9	61.0	8.8	47.3	64.6	8.1
41.0	57.6	48.9	12.7	56.0	51.8	11.7	54.3	54.9	10.8	52.6	58.1	9.9	50.9	61.6	9.1	49.1	65.2	8.3
43.0	59.8	49.4	13.0	58.1	52.3	12.0	56.4	55.4	11.1	54.7	58.6	10.2	52.9	62.1	9.4	51.1	65.8	8.6
45.0	62.1	50.0	13.4	60.3	52.8	12.4	58.6	55.9	11.4	56.8	59.2	10.5	54.9	62.7	9.6	53.1	66.3	8.9
47.0	64.4	50.5	13.8	62.6	53.4	12.7	60.8	56.5	11.7	58.9	59.8	10.8	57.0	63.3	9.9	55.1	67.0	9.1
49.0	66.8	51.1	14.2	64.9	54.0	13.1	63.0	57.1	12.1	61.1	60.4	11.1	59.2	63.9	10.2	57.2	67.6	9.4
51.0	69.3	51.7	14.5	67.3	54.6	13.4	65.4	57.7	12.4	63.4	61.0	11.4	61.4	64.5	10.5	59.3	68.3	9.6
53.0	71.8	52.3	14.9	69.8	55.2	13.8	67.7	58.3	12.7	65.7	61.7	11.7	63.6	65.2	10.8	61.5	69.0	9.9
55.0	74.3	52.9	15.2	72.3	55.8	14.1	70.2	59.0	13.0	68.1	62.3	12.0	65.9	65.9	11.1	63.8	69.7	10.2

YCUL0066EB

SST (°F)	AIR TEMPERATURE ON CONDENSER (°F)																	
	75°F			80°F			85°F			90°F			95°F			100°F		
	TONS	KW	EER	TONS	KW	EER	TONS	KW	EER	TONS	KW	EER	TONS	KW	EER	TONS	KW	EER
35.0	56.8	49.7	12.3	55.2	52.7	11.4	53.6	55.9	10.5	52.0	59.3	9.6	50.4	62.9	8.8	48.9	66.1	8.2
37.0	59.1	50.0	12.8	57.5	53.0	11.8	55.8	56.3	10.8	54.2	59.6	10.0	52.5	63.2	9.1	50.8	67.0	8.4
39.0	61.5	50.3	13.2	59.8	53.4	12.2	58.1	56.6	11.2	56.4	60.0	10.3	54.6	63.6	9.5	52.8	67.4	8.7
41.0	63.9	50.7	13.6	62.2	53.8	12.6	60.4	57.0	11.6	58.6	60.5	10.6	56.8	64.1	9.8	54.9	67.9	9.0
43.0	66.4	51.1	14.0	64.6	54.2	13.0	62.8	57.5	11.9	60.9	60.9	11.0	59.0	64.6	10.1	57.1	68.4	9.3
45.0	68.9	51.6	14.5	67.1	54.7	13.4	65.2	58.0	12.3	63.3	61.4	11.3	61.3	65.1	10.4	59.4	68.9	9.6
47.0	71.5	52.1	14.9	69.6	55.2	13.7	67.7	58.5	12.7	65.7	61.9	11.7	63.7	65.6	10.7	61.6	69.5	9.8
49.0	74.2	52.6	15.3	72.2	55.7	14.1	70.2	59.0	13.0	68.1	62.5	12.0	66.1	66.2	11.0	64.0	70.1	10.1
51.0	76.9	53.1	15.7	74.8	56.2	14.5	72.8	59.5	13.4	70.6	63.1	12.3	68.5	66.8	11.4	66.3	70.7	10.4
53.0	79.6	53.6	16.1	77.5	56.8	14.9	75.4	60.1	13.8	73.2	63.7	12.7	71.0	67.4	11.7	68.8	71.4	10.7
55.0	82.5	54.2	16.6	80.3	57.4	15.3	78.1	60.7	14.1	75.8	64.3	13.0	73.6	68.0	12.0	71.3	72.0	11.0

YCUL0076EB

SST (°F)	AIR TEMPERATURE ON CONDENSER (°F)																	
	75°F			80°F			85°F			90°F			95°F			100°F		
	TONS	KW	EER	TONS	KW	EER	TONS	KW	EER	TONS	KW	EER	TONS	KW	EER	TONS	KW	EER
35.0	62.4	58.2	11.5	60.5	61.8	10.6	58.6	65.5	9.7	56.6	69.5	8.9	54.7	73.6	8.2	52.7	78.0	7.5
37.0	64.9	58.7	11.9	63.0	62.2	10.9	61.0	66.0	10.0	58.9	70.0	9.2	57.0	74.2	8.4	54.9	78.6	7.7
39.0	67.5	59.2	12.3	65.5	62.7	11.3	63.4	66.6	10.4	61.3	70.6	9.5	59.2	74.8	8.7	57.2	79.2	8.0
41.0	70.1	59.7	12.6	68.0	63.3	11.6	65.9	67.1	10.7	63.8	71.2	9.8	61.6	75.4	9.0	59.5	80.0	8.2
43.0	72.8	60.3	13.0	70.7	63.9	12.0	68.5	67.7	11.0	66.3	71.8	10.1	64.0	76.1	9.3	61.8	80.6	8.5
45.0	75.6	60.9	13.4	73.4	64.5	12.3	71.1	68.4	11.4	68.8	72.4	10.4	66.5	76.8	9.6	64.3	81.3	8.8
47.0	78.5	61.5	13.8	76.1	65.2	12.7	73.8	69.0	11.7	71.5	73.2	10.7	69.1	77.5	9.8	66.8	82.1	9.0
49.0	81.4	62.2	14.2	79.0	65.8	13.1	76.6	69.7	12.0	74.2	73.9	11.0	71.8	78.2	10.1	69.3	82.8	9.3
51.0	84.4	62.9	14.5	81.9	66.5	13.4	79.4	70.5	12.3	76.9	74.6	11.3	74.4	79.0	10.4	72.0	83.6	9.5
53.0	87.5	63.6	14.9	84.9	67.3	13.8	82.4	71.2	12.7	79.8	75.4	11.6	77.2	79.9	10.7	74.7	84.5	9.8
55.0	90.6	64.3	15.3	88.0	68.0	14.1	85.3	72.0	13.0	82.7	76.2	12.0	80.1	80.7	11.0	77.4	85.4	10.1

YCUL0080EB

SST (°F)	AIR TEMPERATURE ON CONDENSER (°F)																	
	75°F			80°F			85°F			90°F			95°F			100°F		
	TONS	KW	EER	TONS	KW	EER	TONS	KW	EER	TONS	KW	EER	TONS	KW	EER	TONS	KW	EER
35.0	70.1	63.6	11.9	68.0	67.5	11.0	65.8	71.6	10.1	63.7	75.9	9.2	61.4	80.6	8.4	59.2	85.3	7.7
37.0	72.9	64.2	12.3	70.7	68.1	11.3	68.5	72.2	10.4	66.3	76.5	9.5	64.0	81.1	8.7	61.7	86.0	8.0
39.0	75.8	64.8	12.7	73.6	68.6	11.7	71.3	72.8	10.8	68.9	77.2	9.9	66.6	81.8	9.0	64.2	86.7	8.2
41.0	78.8	65.5	13.1	76.5	69.3	12.1	74.1	73.4	11.1	71.7	77.8	10.2	69.3	82.5	9.3	66.8	87.4	8.5
43.0	81.9	66.1	13.5	79.5	70.0	12.4	77.0	74.1	11.4	74.5	78.5	10.5	72.0	83.2	9.6	69.5	88.1	8.8
45.0	85.1	66.9	13.9	82.6	70.7	12.8	80.0	74.8	11.8	77.5	79.3	10.8	74.9	84.0	9.9	72.3	89.0	9.1
47.0	88.3	67.7	14.2	85.7	71.4	13.2	83.1	75.6	12.1	80.4	80.1	11.1	77.8	84.8	10.2	75.1	89.8	9.3
49.0	91.6	68.5	14.6	89.0	72.3	13.5	86.2	76.4	12.4	83.5	80.9	11.4	80.8	85.6	10.5	78.0	90.6	9.6
51.0	95.1	69.3	15.0	92.3	73.1	13.9	89.5	77.3	12.8	86.7	81.7	11.7	83.8	86.5	10.8	81.0	91.6	9.9
53.0	98.6	70.2	15.4	95.7	74.0	14.2	92.8	78.1	13.1	89.9	82.7	12.1	87.0	87.5	11.1	84.1	92.5	10.2
55.0	102.2	71.2	15.7	99.2	75.0	14.6	96.2	79.2	13.4	93.3	83.6	12.4	90.2	88.4	11.4	87.2	93.5	10.4

NOTES:

1. SST = Saturated Suction Temperature
2. kW = Compressors Input Power
3. EER = Condensing Unit EER (includes power from compressors, fans and the control panel)

YCUL0060EB

AIR TEMPERATURE ON CONDENSER (°F)															
SST (°F)	105°F			110°F			115°F			120°F			125°F		
	TONS	KW	EER	TONS	KW	EER	TONS	KW	EER	TONS	KW	EER	TONS	KW	EER
35.0	42.0	67.4	6.9	40.6	70.9	6.4	28.9	51.3	6.1	27.8	54.2	5.6	18.8	37.2	5.3
37.0	43.8	67.9	7.2	31.2	49.1	6.8	30.0	52.0	6.3	20.5	35.4	6.0	19.7	37.4	5.5
39.0	45.6	68.4	7.4	32.5	49.5	7.1	31.3	52.4	6.5	21.4	35.6	6.2	20.5	37.7	5.7
41.0	47.4	69.0	7.6	33.9	49.8	7.3	32.6	52.7	6.7	22.3	35.8	6.5	21.4	37.9	5.9
43.0	49.3	69.6	7.9	35.3	50.2	7.6	34.0	53.0	7.0	23.2	36.0	6.7	22.3	38.1	6.1
45.0	51.2	70.2	8.1	36.7	50.6	7.8	35.4	53.4	7.2	24.2	36.1	7.0	23.3	38.3	6.4
47.0	53.2	70.9	8.3	38.2	50.9	8.1	36.8	53.8	7.4	25.2	36.3	7.2	24.2	38.5	6.6
49.0	55.2	71.5	8.6	39.7	51.3	8.4	27.3	34.5	8.2	26.2	36.5	7.5	25.2	38.7	6.8
51.0	42.8	48.9	9.4	41.3	51.7	8.6	28.4	34.6	8.5	27.3	36.7	7.8	26.3	38.9	7.1
53.0	44.4	49.2	9.7	42.9	52.1	8.9	29.5	34.9	8.7	28.4	37.0	8.0	27.3	39.1	7.3
55.0	46.1	49.7	10.0	44.5	52.5	9.2	30.6	35.1	9.0	29.5	37.1	8.3	28.4	39.3	7.6

YCUL0066EB

AIR TEMPERATURE ON CONDENSER (°F)															
SST (°F)	105°F			110°F			115°F			120°F			125°F		
	TONS	KW	EER	TONS	KW	EER	TONS	KW	EER	TONS	KW	EER	TONS	KW	EER
35.0	47.3	69.9	7.5	45.6	74.1	6.9	43.9	78.4	6.3	21.9	37.3	6.1	21.0	39.5	5.6
37.0	49.0	71.0	7.7	47.2	75.2	7.0	45.4	79.6	6.4	22.9	37.4	6.4	21.9	39.6	5.8
39.0	51.0	71.4	8.0	49.2	75.6	7.3	24.8	35.4	7.2	23.8	37.5	6.6	22.9	39.8	6.1
41.0	53.1	71.9	8.2	51.2	76.1	7.5	25.8	35.5	7.5	24.9	37.7	6.9	23.9	39.9	6.3
43.0	55.2	72.5	8.5	53.2	76.7	7.8	26.9	35.7	7.8	25.9	37.8	7.2	24.9	40.1	6.5
45.0	57.4	73.0	8.8	55.3	77.3	8.0	28.0	35.8	8.1	27.0	38.0	7.4	25.9	40.3	6.8
47.0	59.5	73.6	9.0	57.5	77.9	8.3	29.2	35.9	8.4	28.1	38.1	7.7	27.0	40.4	7.0
49.0	61.8	74.2	9.3	59.7	78.6	8.5	30.3	36.1	8.7	29.2	38.3	8.0	28.1	40.6	7.3
51.0	64.1	74.9	9.6	61.9	79.2	8.8	31.5	36.3	9.0	30.4	38.5	8.3	29.2	40.8	7.6
53.0	66.5	75.5	9.8	64.2	79.9	9.0	32.8	36.4	9.4	31.6	38.6	8.6	30.4	41.0	7.8
55.0	68.9	76.2	10.1	35.2	34.6	10.5	34.0	36.7	9.6	32.8	39.0	8.8	31.5	41.3	8.1

YCUL0076EB

AIR TEMPERATURE ON CONDENSER (°F)															
SST (°F)	105°F			110°F			115°F			120°F			125°F		
	TONS	KW	EER	TONS	KW	EER	TONS	KW	EER	TONS	KW	EER	TONS	KW	EER
35.0	50.8	82.5	6.8	48.9	87.2	6.2	39.2	72.5	5.9	31.2	59.9	5.6	30.0	63.2	5.1
37.0	52.9	83.2	7.1	51.0	87.9	6.5	40.9	73.0	6.2	32.6	60.2	5.8	31.2	63.9	5.3
39.0	55.1	83.8	7.3	53.1	88.7	6.7	42.6	73.4	6.4	33.9	60.9	6.0	32.6	64.3	5.5
41.0	57.4	84.5	7.5	55.3	89.4	6.9	44.4	73.9	6.6	35.4	61.2	6.2	34.0	64.6	5.7
43.0	59.6	85.3	7.8	57.5	90.2	7.1	46.3	74.4	6.8	36.9	61.5	6.5	35.5	65.0	5.9
45.0	62.0	86.0	8.0	50.0	70.7	7.7	48.2	74.9	7.1	38.5	61.9	6.7	37.0	65.4	6.1
47.0	64.5	86.8	8.3	52.0	71.2	8.0	50.2	75.4	7.3	40.1	62.3	7.0	38.6	65.8	6.4
49.0	66.9	87.7	8.5	54.1	71.7	8.3	52.2	76.0	7.6	41.7	62.7	7.2	40.2	66.3	6.6
51.0	69.5	88.5	8.8	56.2	72.3	8.5	45.1	59.6	8.1	43.4	63.1	7.5	41.8	66.7	6.8
53.0	72.1	89.4	9.0	58.4	72.8	8.8	46.9	60.0	8.4	45.2	63.5	7.7	43.5	67.1	7.1
55.0	62.8	69.3	9.9	60.7	73.4	9.1	48.7	60.4	8.7	47.0	63.9	8.0	33.5	46.5	7.5

YCUL0080EB

AIR TEMPERATURE ON CONDENSER (°F)															
SST (°F)	105°F			110°F			115°F			120°F			125°F		
	TONS	KW	EER	TONS	KW	EER	TONS	KW	EER	TONS	KW	EER	TONS	KW	EER
35.0	57.0	90.3	7.0	54.8	95.4	6.4	52.6	100.6	5.9	35.0	65.4	5.8	33.5	68.9	5.3
37.0	59.4	91.0	7.3	57.1	96.1	6.7	54.9	101.4	6.1	36.5	65.9	6.0	35.0	69.4	5.5
39.0	61.9	91.7	7.5	59.5	96.9	6.9	39.6	62.8	6.8	38.1	66.3	6.2	36.5	70.0	5.7
41.0	64.4	92.5	7.8	62.0	97.7	7.1	41.3	63.2	7.1	39.7	66.8	6.5	37.8	71.1	5.8
43.0	67.0	93.3	8.0	64.5	98.6	7.3	42.8	64.1	7.2	41.2	67.8	6.6	39.5	71.5	6.1
45.0	69.6	94.2	8.3	67.1	99.4	7.6	44.6	64.5	7.5	42.9	68.2	6.9	41.3	71.9	6.3
47.0	72.4	95.0	8.5	69.8	100.4	7.8	46.5	64.9	7.8	44.8	68.5	7.1	43.0	72.4	6.5
49.0	75.3	95.9	8.8	72.6	101.3	8.1	48.5	65.3	8.1	46.6	69.0	7.4	44.8	72.9	6.8
51.0	78.2	96.9	9.1	52.3	62.1	9.1	50.4	65.7	8.3	48.6	69.5	7.6	46.7	73.4	7.0
53.0	81.2	97.9	9.3	54.4	62.5	9.4	52.5	66.2	8.6	50.6	70.0	7.9	48.7	73.9	7.2
55.0	84.3	98.9	9.6	56.6	63.0	9.7	54.6	66.7	8.9	52.6	70.5	8.2	50.7	74.4	7.5

NOTES:

1. SST = Saturated Suction Temperature
2. kW = Compressors Input Power
3. EER = Condensing Unit EER (includes power from compressors, fans and the control panel)

Ratings - HFC-407C (English Units)

YCUL0086EB

SST (°F)	AIR TEMPERATURE ON CONDENSER (°F)																	
	75°F			80°F			85°F			90°F			95°F			100°F		
	TONS	KW	EER	TONS	KW	EER	TONS	KW	EER	TONS	KW	EER	TONS	KW	EER	TONS	KW	EER
35.0	76.6	70.6	11.9	74.4	74.8	10.9	72.1	79.3	10.1	69.8	84.1	9.2	67.4	89.2	8.4	65.1	94.5	7.7
37.0	79.7	71.2	12.3	77.4	75.5	11.3	75.0	80.0	10.4	72.6	84.8	9.5	70.2	89.9	8.7	67.7	95.3	8.0
39.0	82.8	71.9	12.6	80.4	76.2	11.6	78.0	80.8	10.7	75.5	85.6	9.8	73.0	90.8	9.0	70.4	96.1	8.2
41.0	86.0	72.7	13.0	83.5	77.0	12.0	81.0	81.5	11.0	78.4	86.4	10.1	75.8	91.6	9.2	73.2	97.0	8.5
43.0	89.3	73.4	13.4	86.7	77.8	12.3	84.1	82.4	11.3	81.5	87.3	10.4	78.8	92.5	9.5	76.1	97.9	8.7
45.0	92.7	74.2	13.7	90.0	78.6	12.6	87.3	83.3	11.6	84.6	88.1	10.7	81.8	93.4	9.8	79.0	98.9	9.0
47.0	96.1	75.1	14.1	93.4	79.5	13.0	90.6	84.1	12.0	87.7	89.1	11.0	84.9	94.3	10.1	82.0	99.9	9.2
49.0	99.7	76.0	14.4	96.8	80.4	13.3	93.9	85.1	12.3	91.0	90.1	11.3	88.0	95.3	10.3	85.1	100.9	9.5
51.0	103.3	76.9	14.8	100.3	81.3	13.7	97.3	86.0	12.6	94.3	91.1	11.6	91.3	96.4	10.6	88.2	102.0	9.7
53.0	107.0	77.9	15.2	103.9	82.3	14.0	100.9	87.0	12.9	97.7	92.1	11.9	94.6	97.5	10.9	91.4	103.1	10.0
55.0	110.8	78.8	15.5	107.6	83.3	14.3	104.4	88.1	13.2	101.2	93.2	12.1	98.0	98.6	11.2	94.7	104.3	10.2

YCUL0090EB

SST (°F)	AIR TEMPERATURE ON CONDENSER (°F)																	
	75°F			80°F			85°F			90°F			95°F			100°F		
	TONS	KW	EER	TONS	KW	EER	TONS	KW	EER	TONS	KW	EER	TONS	KW	EER	TONS	KW	EER
35.0	83.0	77.9	11.8	80.7	82.6	10.8	78.2	87.6	9.9	75.8	92.9	9.1	73.3	98.5	8.4	70.8	104.3	7.6
37.0	86.3	78.7	12.1	83.8	83.4	11.2	81.3	88.4	10.2	78.8	93.8	9.4	76.2	99.4	8.6	73.6	105.3	7.9
39.0	89.6	79.5	12.5	87.1	84.3	11.5	84.5	89.3	10.5	81.8	94.7	9.7	79.1	100.4	8.9	76.4	106.3	8.1
41.0	93.0	80.4	12.8	90.4	85.2	11.8	87.7	90.2	10.8	85.0	95.6	10.0	82.2	101.4	9.1	79.4	107.4	8.3
43.0	96.5	81.2	13.2	93.8	86.1	12.1	91.0	91.2	11.1	88.2	96.6	10.2	85.3	102.4	9.4	82.4	108.5	8.6
45.0	100.1	82.1	13.5	97.2	87.1	12.4	94.3	92.3	11.4	91.5	97.7	10.5	88.5	103.5	9.6	85.5	109.6	8.8
47.0	103.7	83.1	13.9	100.8	88.0	12.8	97.8	93.3	11.7	94.8	98.7	10.8	91.8	104.6	9.9	88.7	110.7	9.1
49.0	107.5	84.0	14.2	104.4	89.0	13.1	101.3	94.3	12.0	98.2	99.9	11.0	95.1	105.7	10.1	91.9	111.9	9.3
51.0	111.3	85.0	14.5	108.1	90.1	13.4	104.9	95.4	12.3	101.7	101.1	11.3	98.5	106.9	10.4	95.2	113.2	9.5
53.0	115.2	86.1	14.9	111.9	91.2	13.7	108.6	96.5	12.6	105.3	102.2	11.6	101.9	108.2	10.6	98.6	114.4	9.8
55.0	119.1	87.1	15.2	115.8	92.3	14.0	112.4	97.7	12.9	108.9	103.4	11.9	105.5	109.4	10.9	102.0	115.7	10.0

YCUL0096EB

SST (°F)	AIR TEMPERATURE ON CONDENSER (°F)																	
	75°F			80°F			85°F			90°F			95°F			100°F		
	TONS	KW	EER	TONS	KW	EER	TONS	KW	EER	TONS	KW	EER	TONS	KW	EER	TONS	KW	EER
35.0	80.1	70.2	11.9	77.9	74.1	11.0	75.6	78.1	10.2	73.3	82.4	9.4	71.8	85.4	9.0	68.5	91.9	8.0
37.0	83.9	70.2	12.4	81.2	74.6	11.4	78.9	78.7	10.6	76.5	83.0	9.8	74.5	86.8	9.2	71.5	92.5	8.3
39.0	87.0	71.4	12.7	84.6	75.2	11.8	82.2	79.3	11.0	79.8	83.6	10.1	77.2	88.2	9.4	74.6	93.2	8.6
41.0	90.6	72.0	13.1	88.1	75.9	12.2	85.7	80.0	11.3	83.1	84.3	10.5	80.5	88.9	9.7	77.8	93.8	8.9
43.0	94.2	72.6	13.6	91.7	76.6	12.6	89.2	80.7	11.7	86.5	85.0	10.8	83.8	89.6	10.0	81.0	94.6	9.2
45.0	98.0	73.4	14.0	95.4	77.3	13.0	92.8	81.5	12.1	90.0	85.8	11.2	87.2	90.4	10.3	84.4	95.4	9.5
47.0	101.8	74.1	14.4	99.2	78.1	13.4	96.4	82.2	12.4	93.6	86.6	11.5	90.7	91.2	10.7	87.8	96.2	9.8
49.0	105.8	74.8	14.8	103.0	78.9	13.8	100.2	83.1	12.8	97.3	87.5	11.9	94.3	92.1	11.0	91.3	97.1	10.2
51.0	109.8	75.6	15.3	107.0	79.7	14.2	104.0	83.9	13.2	101.1	88.3	12.2	98.0	93.0	11.3	94.8	98.0	10.5
53.0	114.0	76.4	15.7	111.0	80.5	14.6	108.0	84.8	13.6	104.9	89.3	12.6	101.8	93.9	11.7	98.5	98.9	10.8
55.0	118.2	77.2	16.1	115.2	81.4	15.0	112.0	85.7	13.9	108.9	90.2	12.9	105.6	94.9	12.0	102.3	99.9	11.1

YCUL0100EB

SST (°F)	AIR TEMPERATURE ON CONDENSER (°F)																	
	75°F			80°F			85°F			90°F			95°F			100°F		
	TONS	KW	EER	TONS	KW	EER	TONS	KW	EER	TONS	KW	EER	TONS	KW	EER	TONS	KW	EER
35.0	86.6	77.2	11.8	84.3	81.3	11.0	81.9	85.6	10.2	79.6	90.2	9.5	77.1	95.0	8.7	74.6	100.1	8.1
37.0	90.2	77.9	12.2	87.8	82.1	11.3	85.4	86.4	10.5	82.9	91.0	9.8	80.3	95.8	9.0	77.7	101.0	8.3
39.0	93.9	78.6	12.6	91.4	82.8	11.7	88.9	87.2	10.9	86.3	91.8	10.1	83.7	96.7	9.3	81.0	101.8	8.6
41.0	97.7	79.3	13.0	95.1	83.6	12.1	92.5	88.1	11.2	89.8	92.7	10.4	87.1	97.6	9.6	84.3	102.7	8.9
43.0	101.6	80.1	13.4	98.9	84.4	12.5	96.2	88.9	11.6	93.4	93.6	10.7	90.6	98.5	9.9	87.7	103.7	9.2
45.0	105.5	81.0	13.8	102.8	85.3	12.8	100.0	89.8	11.9	97.1	94.5	11.1	94.2	99.5	10.2	91.2	104.7	9.5
47.0	109.6	81.7	14.2	106.8	86.2	13.2	103.8	90.7	12.3	100.9	95.5	11.4	97.9	100.5	10.6	94.8	105.7	9.8
49.0	113.8	82.5	14.6	110.8	87.0	13.6	107.8	91.6	12.6	104.8	96.4	11.7	101.6	101.4	10.9	98.4	106.7	10.0
51.0	118.1	83.2	15.1	115.0	87.9	14.0	111.9	92.6	13.0	108.7	97.4	12.1	105.5	102.5	11.2	102.2	107.8	10.3
53.0	122.5	84.0	15.5	119.3	88.7	14.4	116.1	93.5	13.3	112.8	98.4	12.4	109.5	103.5	11.5	106.1	108.8	10.6
55.0	127.1	84.7	16.0	123.7	89.6	14.8	120.3	94.5	13.7	116.9	99.4	12.7	113.6	104.5	11.8	110.0	109.9	10.9

NOTES:

1. SST = Saturated Suction Temperature
2. kW = Compressors Input Power
3. EER = Condensing Unit EER (includes power from compressors, fans and the control panel)

YCUL0086EB

AIR TEMPERATURE ON CONDENSER (°F)															
SST (°F)	105°F			110°F			115°F			120°F			125°F		
	TONS	KW	EER	TONS	KW	EER	TONS	KW	EER	TONS	KW	EER	TONS	KW	EER
35.0	62.7	100.0	7.0	60.3	105.8	6.4	48.2	87.3	6.1	38.6	72.3	5.8	37.0	76.5	5.3
37.0	65.2	100.9	7.3	62.7	106.7	6.6	50.2	88.0	6.4	40.2	72.8	6.1	38.6	77.0	5.5
39.0	67.9	101.8	7.5	54.4	83.8	7.2	43.7	69.3	6.9	41.9	73.3	6.3	40.2	77.5	5.7
41.0	70.6	102.7	7.7	56.7	84.4	7.5	45.5	69.7	7.1	43.7	73.8	6.5	41.8	78.3	5.9
43.0	73.3	103.7	8.0	59.0	85.1	7.7	47.2	70.5	7.3	45.4	74.6	6.7	43.5	78.8	6.1
45.0	76.2	104.7	8.2	61.3	85.8	7.9	49.2	70.9	7.6	47.3	75.0	6.9	45.4	79.3	6.3
47.0	79.1	105.7	8.4	63.8	86.5	8.2	51.2	71.3	7.9	49.2	75.5	7.2	47.2	79.8	6.5
49.0	82.1	106.8	8.7	66.3	87.3	8.5	53.2	71.8	8.1	51.2	76.0	7.4	49.2	80.4	6.8
51.0	71.3	83.2	9.5	57.4	68.3	9.2	55.3	72.3	8.4	53.2	76.5	7.7	51.2	80.9	7.0
53.0	74.0	84.0	9.8	59.6	68.8	9.5	57.5	72.8	8.7	55.3	77.1	7.9	53.2	81.5	7.2
55.0	76.8	84.8	10.1	61.9	69.3	9.8	59.7	73.4	8.9	57.5	77.7	8.2	41.0	56.5	7.8

YCUL0090EB

AIR TEMPERATURE ON CONDENSER (°F)															
SST (°F)	105°F			110°F			115°F			120°F			125°F		
	TONS	KW	EER	TONS	KW	EER	TONS	KW	EER	TONS	KW	EER	TONS	KW	EER
35.0	68.2	110.5	7.0	65.6	117.0	6.4	43.8	75.3	6.4	42.1	79.8	5.8	40.3	84.5	5.3
37.0	70.9	111.5	7.2	68.2	118.1	6.6	45.7	75.8	6.6	43.9	80.3	6.0	42.0	85.0	5.5
39.0	73.7	112.6	7.4	70.9	119.2	6.8	47.6	76.2	6.9	45.7	80.8	6.3	43.8	85.5	5.7
41.0	76.5	113.7	7.6	51.4	72.4	7.8	49.5	76.7	7.1	47.6	81.3	6.5	45.6	86.1	5.9
43.0	79.5	114.8	7.8	53.5	72.9	8.1	51.5	77.3	7.4	49.5	81.8	6.7	47.5	86.6	6.1
45.0	82.5	116.0	8.1	55.6	73.4	8.3	53.6	77.8	7.6	51.5	82.4	6.9	49.4	87.2	6.3
47.0	85.5	117.2	8.3	57.8	73.9	8.6	55.7	78.3	7.8	53.5	83.0	7.2	51.3	87.8	6.5
49.0	88.6	118.4	8.5	60.0	74.5	8.9	57.8	78.9	8.1	55.6	83.6	7.4	53.4	88.4	6.7
51.0	91.9	119.7	8.7	62.3	75.0	9.1	60.0	79.5	8.4	57.8	84.2	7.6	55.5	89.0	6.9
53.0	67.0	71.3	10.3	64.7	75.6	9.4	62.3	80.1	8.6	60.0	84.7	7.9	57.6	89.7	7.2
55.0	69.5	71.9	10.6	67.1	76.2	9.7	64.7	80.7	8.9	62.2	85.4	8.1	31.5	39.7	8.1

YCUL0096EB

AIR TEMPERATURE ON CONDENSER (°F)															
SST (°F)	105°F			110°F			115°F			120°F			125°F		
	TONS	KW	EER	TONS	KW	EER	TONS	KW	EER	TONS	KW	EER	TONS	KW	EER
35.0	66.0	97.3	7.3	63.3	103.2	6.7	60.5	109.6	6.0	58.3	114.9	5.6	55.3	123.3	5.0
37.0	68.9	97.9	7.6	66.1	103.7	6.9	63.8	108.8	6.4	60.9	115.6	5.8	57.8	123.0	5.2
39.0	71.9	98.5	7.9	69.5	103.3	7.3	66.6	109.5	6.6	63.1	117.4	5.9	44.8	86.9	5.5
41.0	75.0	99.2	8.2	72.5	104.1	7.6	69.0	111.2	6.8	66.4	116.9	6.2	47.0	86.8	5.8
43.0	78.1	99.9	8.5	75.5	104.9	7.8	72.4	111.1	7.1	69.2	117.7	6.5	49.1	87.2	6.0
45.0	81.4	100.7	8.8	78.3	106.4	8.0	75.1	112.5	7.3	71.8	119.2	6.6	50.9	88.5	6.1
47.0	84.7	101.5	9.1	81.5	107.2	8.3	78.2	113.3	7.6	74.8	119.9	6.9	53.1	88.9	6.4
49.0	88.1	102.4	9.3	84.8	108.1	8.6	81.5	114.1	7.8	78.0	120.7	7.1	55.3	89.6	6.6
51.0	91.6	103.2	9.6	88.2	108.9	8.8	84.8	115.0	8.1	81.2	121.5	7.4	40.9	57.3	7.2
53.0	95.2	104.2	9.9	91.7	109.8	9.1	88.1	115.9	8.3	84.5	122.4	7.6	42.9	57.1	7.6
55.0	98.8	105.2	10.2	95.3	110.8	9.4	91.6	116.9	8.6	87.8	123.4	7.9	44.7	57.4	7.9

YCUL0100EB

AIR TEMPERATURE ON CONDENSER (°F)															
SST (°F)	105°F			110°F			115°F			120°F			125°F		
	TONS	KW	EER	TONS	KW	EER	TONS	KW	EER	TONS	KW	EER	TONS	KW	EER
35.0	72.0	105.6	7.4	69.2	111.5	6.8	66.4	117.9	6.2	63.4	124.8	5.6	60.3	132.2	5.1
37.0	75.0	106.5	7.7	72.2	112.4	7.0	69.3	118.7	6.4	66.2	125.5	5.8	63.0	132.9	5.3
39.0	78.2	107.3	7.9	75.3	113.2	7.3	72.3	119.5	6.7	69.1	126.3	6.1	34.5	60.3	5.8
41.0	81.4	108.2	8.2	78.4	114.1	7.5	75.3	120.4	6.9	72.1	127.1	6.3	36.5	59.7	6.2
43.0	84.7	109.2	8.5	81.6	115.1	7.8	78.4	121.3	7.1	75.1	128.0	6.5	38.0	60.0	6.4
45.0	88.1	110.2	8.7	84.9	116.1	8.0	81.6	122.3	7.4	78.2	129.0	6.7	39.7	60.4	6.7
47.0	91.6	111.2	9.0	88.3	117.1	8.3	84.9	123.3	7.6	81.4	130.0	6.9	41.3	60.8	6.9
49.0	95.1	112.3	9.3	91.7	118.2	8.5	88.3	124.4	7.8	84.7	131.0	7.2	42.8	61.5	7.1
51.0	98.8	113.4	9.5	95.3	119.3	8.8	91.7	125.5	8.1	88.0	132.1	7.4	44.6	61.8	7.4
53.0	102.6	114.4	9.8	99.0	120.4	9.1	95.3	126.6	8.3	91.4	133.2	7.6	46.5	62.2	7.6
55.0	106.4	115.6	10.1	102.7	121.5	9.3	98.9	127.8	8.6	95.0	134.4	7.9	48.4	62.5	7.9

NOTES:

1. SST = Saturated Suction Temperature
2. kW = Compressors Input Power
3. EER = Condensing Unit EER (includes power from compressors, fans and the control panel)

Ratings - HFC-407C (English Units)

YCUL0106EB

SST (°F)	AIR TEMPERATURE ON CONDENSER (°F)																	
	75°F			80°F			85°F			90°F			95°F			100°F		
	TONS	KW	EER	TONS	KW	EER	TONS	KW	EER	TONS	KW	EER	TONS	KW	EER	TONS	KW	EER
35.0	97.1	88.4	11.8	94.3	93.2	10.9	91.5	98.4	10.1	88.6	104.0	9.3	85.5	110.0	8.5	82.4	116.6	7.8
37.0	101.1	89.4	12.1	98.2	94.3	11.2	95.3	99.5	10.4	92.2	105.1	9.6	89.1	111.1	8.8	85.8	117.7	8.0
39.0	105.1	90.4	12.5	102.2	95.3	11.6	99.1	100.6	10.7	96.0	106.2	9.8	92.7	112.3	9.0	89.4	118.8	8.3
41.0	109.3	91.4	12.8	106.2	96.4	11.9	103.1	101.7	11.0	99.8	107.4	10.1	96.5	113.5	9.3	93.0	120.0	8.5
43.0	113.6	92.5	13.2	110.4	97.6	12.2	107.1	102.9	11.3	103.8	108.6	10.4	100.3	114.8	9.6	96.7	121.3	8.8
45.0	118.0	93.7	13.6	114.7	98.8	12.6	111.3	104.2	11.6	107.8	109.9	10.7	104.2	116.0	9.9	100.5	122.6	9.0
47.0	122.5	94.8	13.9	119.1	100.0	12.9	115.6	105.4	11.9	112.0	111.2	11.0	108.3	117.3	10.1	104.5	123.9	9.3
49.0	127.1	96.0	14.3	123.6	101.2	13.2	120.0	106.7	12.3	116.3	112.5	11.3	112.4	118.6	10.4	108.5	125.2	9.6
51.0	131.9	97.1	14.7	128.2	102.4	13.6	124.5	107.9	12.6	120.7	113.8	11.6	116.7	120.0	10.7	112.7	126.6	9.8
53.0	136.8	98.3	15.0	133.0	103.7	13.9	129.1	109.2	12.9	125.2	115.1	11.9	121.1	121.3	11.0	116.9	127.9	10.1
55.0	141.8	99.5	15.4	137.9	104.9	14.3	133.9	110.5	13.2	129.8	116.4	12.2	125.6	122.7	11.3	121.3	129.4	10.4

YCUL0120EB

SST (°F)	AIR TEMPERATURE ON CONDENSER (°F)																	
	75°F			80°F			85°F			90°F			95°F			100°F		
	TONS	KW	EER	TONS	KW	EER	TONS	KW	EER	TONS	KW	EER	TONS	KW	EER	TONS	KW	EER
35.0	109.1	96.0	11.9	106.0	101.4	11.0	102.8	107.1	10.2	99.4	113.3	9.3	95.9	120.1	8.6	92.3	127.5	7.8
37.0	113.7	97.0	12.2	110.5	102.4	11.4	107.1	108.1	10.5	103.6	114.3	9.7	100.0	121.0	8.9	96.3	128.4	8.1
39.0	118.3	98.0	12.6	115.0	103.4	11.7	111.6	109.2	10.8	108.0	115.4	10.0	104.3	122.1	9.2	100.4	129.5	8.4
41.0	123.1	99.1	13.0	119.7	104.6	12.1	116.1	110.3	11.2	112.5	116.5	10.3	108.6	123.3	9.5	104.6	130.7	8.7
43.0	128.0	100.4	13.4	124.5	105.8	12.4	120.8	111.5	11.5	117.0	117.7	10.6	113.1	124.5	9.8	109.0	131.8	8.9
45.0	133.1	101.6	13.8	129.4	107.0	12.8	125.6	112.8	11.8	121.7	119.0	10.9	117.6	125.8	10.1	113.4	133.1	9.2
47.0	138.2	102.8	14.1	134.4	108.3	13.1	130.5	114.2	12.2	126.5	120.4	11.3	122.3	127.1	10.4	117.9	134.4	9.5
49.0	143.5	104.2	14.5	139.6	109.7	13.5	135.6	115.5	12.5	131.4	121.8	11.6	127.1	128.5	10.7	122.6	135.8	9.8
51.0	148.9	105.5	14.9	144.9	111.1	13.9	140.8	116.9	12.9	136.5	123.2	11.9	132.1	129.9	11.0	127.5	137.1	10.1
53.0	154.5	106.9	15.3	150.4	112.5	14.2	146.1	118.3	13.2	141.7	124.6	12.2	137.1	131.3	11.3	132.4	138.6	10.4
55.0	160.3	108.3	15.7	156.0	113.9	14.6	151.6	119.8	13.6	147.0	126.1	12.6	142.3	132.9	11.6	137.5	140.1	10.7

YCUL0130EB

SST (°F)	AIR TEMPERATURE ON CONDENSER (°F)																	
	75°F			80°F			85°F			90°F			95°F			100°F		
	TONS	KW	EER	TONS	KW	EER	TONS	KW	EER	TONS	KW	EER	TONS	KW	EER	TONS	KW	EER
35.0	118.8	107.6	11.7	115.5	113.5	10.8	112.1	119.7	10.0	108.6	126.3	9.3	105.0	133.5	8.5	101.2	141.2	7.8
37.0	123.7	108.8	12.0	120.2	114.7	11.2	116.7	121.0	10.3	113.1	127.6	9.6	109.3	134.8	8.8	105.4	142.5	8.1
39.0	128.7	110.0	12.4	125.1	116.0	11.5	121.5	122.3	10.7	117.7	129.0	9.9	113.8	136.1	9.1	109.8	143.8	8.3
41.0	133.8	111.3	12.8	130.1	117.3	11.9	126.3	123.6	11.0	122.4	130.3	10.2	118.4	137.5	9.4	114.3	145.2	8.6
43.0	139.1	112.6	13.1	135.3	118.7	12.2	131.3	125.0	11.3	127.3	131.8	10.5	123.2	139.0	9.6	118.9	146.7	8.9
45.0	144.5	113.9	13.5	140.5	120.0	12.5	136.5	126.5	11.6	132.3	133.3	10.8	128.0	140.4	9.9	123.6	148.2	9.1
47.0	150.0	115.2	13.9	145.9	121.5	12.9	141.8	127.9	12.0	137.5	134.7	11.1	133.0	142.0	10.2	128.5	149.7	9.4
49.0	155.7	116.6	14.3	151.5	122.8	13.2	147.2	129.4	12.3	142.7	136.2	11.4	138.2	143.5	10.5	133.5	151.3	9.7
51.0	161.6	117.9	14.7	157.2	124.3	13.6	152.7	130.9	12.6	148.1	137.8	11.7	143.4	145.1	10.8	138.6	152.9	9.9
53.0	167.6	119.3	15.0	163.1	125.7	14.0	158.5	132.4	13.0	153.7	139.3	12.0	148.8	146.7	11.1	143.8	154.5	10.2
55.0	173.8	120.7	15.4	169.1	127.2	14.3	164.3	133.9	13.3	159.4	141.0	12.3	154.4	148.3	11.4	149.3	156.2	10.5

NOTES:

1. SST = Saturated Suction Temperature
2. kW = Compressors Input Power
3. EER = Condensing Unit EER (includes power from compressors, fans and the control panel)

YCUL0106EB

SST (°F)	AIR TEMPERATURE ON CONDENSER (°F)														
	105°F			110°F			115°F			120°F			125°F		
	TONS	KW	EER	TONS	KW	EER	TONS	KW	EER	TONS	KW	EER	TONS	KW	EER
35.0	79.1	123.7	7.1	75.7	131.5	6.4	72.1	140.0	5.7	68.4	149.4	5.1	40.5	85.7	5.0
37.0	82.5	124.8	7.3	78.9	132.6	6.6	75.3	141.1	5.9	71.4	150.4	5.3	42.4	86.0	5.3
39.0	85.9	125.9	7.5	82.2	133.7	6.8	78.5	142.2	6.2	74.6	151.4	5.5	44.3	86.4	5.5
41.0	89.4	127.2	7.8	85.7	134.9	7.1	81.8	143.3	6.4	65.7	116.8	6.2	46.3	86.8	5.7
43.0	93.0	128.4	8.0	89.2	136.1	7.3	85.2	144.5	6.6	68.5	117.6	6.4	48.4	87.2	5.9
45.0	96.7	129.7	8.3	92.8	137.4	7.5	88.7	145.7	6.8	71.4	118.4	6.6	50.7	87.3	6.2
47.0	100.5	131.0	8.5	96.5	138.6	7.7	92.3	146.9	7.0	74.3	119.3	6.9	52.9	87.8	6.4
49.0	104.5	132.3	8.8	100.3	139.9	8.0	96.0	148.2	7.2	77.4	120.2	7.1	55.1	88.3	6.7
51.0	108.5	133.7	9.0	104.2	141.3	8.2	99.8	149.5	7.5	80.4	121.3	7.3	57.3	89.1	6.9
53.0	112.7	135.0	9.3	108.2	142.7	8.5	103.7	150.9	7.7	83.7	122.2	7.6	59.7	89.6	7.1
55.0	116.9	136.5	9.5	112.4	144.1	8.7	107.7	152.3	7.9	87.0	123.2	7.8	62.1	90.1	7.3

YCUL0120EB

SST (°F)	AIR TEMPERATURE ON CONDENSER (°F)														
	105°F			110°F			115°F			120°F			125°F		
	TONS	KW	EER	TONS	KW	EER	TONS	KW	EER	TONS	KW	EER	TONS	KW	EER
35.0	88.5	135.6	7.1	84.6	144.6	6.4	80.5	154.6	5.7	76.2	165.5	5.1	71.8	177.5	4.5
37.0	92.4	136.5	7.3	88.4	145.5	6.6	84.1	155.3	5.9	79.8	166.2	5.3	53.3	107.3	5.3
39.0	96.4	137.5	7.6	92.2	146.4	6.9	87.9	156.2	6.2	83.3	167.1	5.5	55.1	109.5	5.3
41.0	100.5	138.6	7.9	96.2	147.5	7.1	91.7	157.2	6.4	87.1	167.9	5.7	57.7	109.7	5.6
43.0	104.7	139.8	8.1	100.3	148.6	7.4	95.7	158.3	6.7	90.9	168.8	6.0	60.4	110.0	5.8
45.0	109.0	141.1	8.4	104.5	149.8	7.6	99.8	159.4	6.9	94.9	169.8	6.2	63.1	110.3	6.1
47.0	113.4	142.4	8.7	108.8	151.0	7.9	104.0	160.5	7.1	99.0	170.9	6.4	65.9	110.8	6.3
49.0	118.0	143.7	9.0	113.2	152.3	8.1	108.3	161.7	7.4	103.2	172.0	6.6	68.8	111.3	6.6
51.0	122.7	145.0	9.2	117.8	153.6	8.4	112.7	163.1	7.6	107.5	173.3	6.9	71.8	111.9	6.8
53.0	127.5	146.5	9.5	122.5	155.0	8.7	117.3	164.3	7.9	111.9	174.4	7.1	74.9	112.5	7.1
55.0	132.5	147.9	9.8	127.3	156.4	8.9	122.0	165.7	8.1	116.5	175.8	7.4	78.0	113.1	7.3

YCUL0130EB

SST (°F)	AIR TEMPERATURE ON CONDENSER (°F)														
	105°F			110°F			115°F			120°F			125°F		
	TONS	KW	EER	TONS	KW	EER	TONS	KW	EER	TONS	KW	EER	TONS	KW	EER
35.0	97.3	149.6	7.1	93.2	158.7	6.5	88.9	168.7	5.8	84.5	179.6	5.2	56.4	116.4	5.2
37.0	101.4	150.9	7.4	97.2	160.0	6.7	92.8	169.8	6.0	88.3	180.6	5.4	58.9	117.0	5.4
39.0	105.7	152.2	7.6	101.3	161.2	6.9	96.8	171.1	6.3	92.1	181.8	5.6	61.2	118.4	5.5
41.0	110.0	153.6	7.9	105.5	162.6	7.2	100.9	172.4	6.5	96.1	183.0	5.8	64.0	118.9	5.8
43.0	114.5	155.0	8.1	109.9	164.0	7.4	105.1	173.7	6.7	100.2	184.3	6.1	66.8	119.5	6.0
45.0	119.1	156.5	8.4	114.3	165.5	7.6	109.4	175.2	6.9	87.4	146.5	6.5	69.7	120.1	6.2
47.0	123.8	158.0	8.6	118.9	167.0	7.9	113.9	176.6	7.2	91.1	147.5	6.8	72.7	120.8	6.5
49.0	128.6	159.6	8.9	123.6	168.5	8.1	118.5	178.1	7.4	94.9	148.5	7.0	75.7	121.5	6.7
51.0	133.6	161.2	9.1	128.5	170.1	8.4	123.1	179.7	7.6	98.7	149.6	7.2	78.9	122.3	6.9
53.0	138.7	162.9	9.4	133.4	171.7	8.6	128.0	181.3	7.8	102.7	150.7	7.5	82.2	123.1	7.2
55.0	144.0	164.5	9.7	138.5	173.4	8.9	132.9	182.9	8.1	106.8	151.9	7.7	85.5	123.9	7.4

NOTES:

1. SST = Saturated Suction Temperature
2. kW = Compressors Input Power
3. EER = Condensing Unit EER (includes power from compressors, fans and the control panel)

Ratings - HFC-407C (SI Units)

YCUL0016EB

LCWT (°C)	AIR TEMPERATURE ON - CONDENSER (°C)																	
	25°C			30°C			35°C			40°C			45°C			50°C		
	KWo	KWi	COP	KWo	KWi	COP	KWo	KWi	COP	KWo	KWi	COP	KWo	KWi	COP	KWo	KWi	COP
2.0	47.8	11.5	3.3	45.2	12.9	2.9	42.6	14.3	2.5	39.9	15.9	2.1	36.6	18.2	1.8	17.8	9.0	1.5
3.0	49.5	11.6	3.4	46.9	12.9	3.0	43.6	14.8	2.5	40.8	16.4	2.1	38.7	17.8	1.9	18.5	9.0	1.6
4.0	50.9	11.9	3.5	48.1	13.3	3.0	45.9	14.5	2.7	43.0	16.1	2.3	40.2	17.9	2.0	19.3	9.0	1.6
5.0	52.8	11.9	3.6	50.4	13.0	3.2	47.5	14.5	2.7	44.6	16.2	2.4	41.7	18.0	2.0	20.0	9.0	1.7
6.0	54.8	11.9	3.7	51.8	13.3	3.2	48.8	14.8	2.8	46.2	16.2	2.4	43.3	18.0	2.1	20.8	9.0	1.8
7.0	56.8	12.0	3.9	53.8	13.3	3.3	50.7	14.9	2.9	47.5	16.5	2.5	44.9	18.1	2.1	21.6	9.1	1.8
8.0	58.9	12.0	4.0	55.8	13.4	3.5	52.5	14.9	3.0	49.3	16.6	2.5	46.1	18.4	2.2	22.5	9.1	1.9
9.0	61.0	12.1	4.1	57.8	13.4	3.6	54.5	14.9	3.1	51.1	16.7	2.6	47.9	18.5	2.3	23.3	9.1	2.0
10.0	63.2	12.1	4.2	59.8	13.5	3.7	56.4	15.0	3.2	53.0	16.7	2.7	49.6	18.6	2.3	24.2	9.1	2.0
11.0	65.4	12.2	4.4	61.9	13.5	3.8	58.4	15.1	3.3	54.9	16.8	2.8	51.5	18.7	2.4	25.1	9.1	2.1
12.0	67.7	12.2	4.5	64.1	13.6	3.9	60.5	15.1	3.4	56.9	16.9	2.9	53.3	18.7	2.5	26.1	9.1	2.2

YCUL0026EB

LCWT (°C)	AIR TEMPERATURE ON - CONDENSER (°C)																	
	25°C			30°C			35°C			40°C			45°C			50°C		
	KWo	KWi	COP	KWo	KWi	COP	KWo	KWi	COP	KWo	KWi	COP	KWo	KWi	COP	KWo	KWi	COP
2.0	66.1	17.0	3.3	62.4	18.9	2.9	58.7	21.1	2.5	55.1	23.4	2.1	51.6	26.0	1.8	25.3	12.6	1.6
3.0	68.5	17.1	3.5	64.7	19.0	3.0	60.9	21.2	2.5	57.1	23.6	2.2	53.6	26.1	1.9	26.3	12.7	1.7
4.0	70.9	17.2	3.6	67.0	19.1	3.1	63.1	21.3	2.6	59.3	23.7	2.2	55.6	26.3	1.9	27.4	12.7	1.8
5.0	73.4	17.3	3.7	69.4	19.3	3.2	65.4	21.4	2.7	61.4	23.9	2.3	57.6	26.5	2.0	28.3	12.8	1.8
6.0	76.0	17.4	3.8	71.9	19.4	3.2	67.7	21.6	2.8	63.7	24.0	2.4	59.7	26.6	2.0	29.4	12.9	1.9
7.0	78.6	17.5	3.9	74.4	19.5	3.3	70.1	21.7	2.9	65.9	24.2	2.5	61.9	26.8	2.1	30.5	12.9	2.0
8.0	81.3	17.6	4.0	77.0	19.6	3.4	72.6	21.9	2.9	68.3	24.3	2.5	63.9	26.9	2.1	31.7	12.9	2.0
9.0	84.1	17.8	4.1	79.6	19.8	3.5	75.1	22.0	3.0	70.7	24.5	2.6	65.1	27.0	2.1	32.9	13.0	2.1
10.0	86.9	17.9	4.2	82.3	19.9	3.6	77.7	22.2	3.1	73.1	24.7	2.7	66.4	27.1	2.1	34.1	13.0	2.2
11.0	89.8	18.0	4.3	85.0	20.1	3.7	80.3	22.4	3.2	75.6	24.9	2.7	67.8	27.2	2.1	35.4	13.0	2.2
12.0	92.7	18.2	4.4	87.8	20.2	3.8	83.0	22.5	3.3	78.2	25.1	2.8	69.1	27.3	2.1	36.7	13.1	2.3

YCUL0030EB

LCWT (°C)	AIR TEMPERATURE ON - CONDENSER (°C)																	
	25°C			30°C			35°C			40°C			45°C			50°C		
	KWo	KWi	COP	KWo	KWi	COP	KWo	KWi	COP	KWo	KWi	COP	KWo	KWi	COP	KWo	KWi	COP
2.0	82.2	21.1	3.4	77.8	23.4	3.0	73.2	26.0	2.6	68.5	28.8	2.2	64.3	31.4	1.9	31.1	15.7	1.7
3.0	85.3	21.3	3.5	80.7	23.5	3.1	76.0	26.1	2.6	71.1	28.9	2.2	66.3	31.9	1.9	32.3	15.7	1.7
4.0	88.3	21.4	3.7	83.7	23.7	3.2	78.8	26.3	2.7	73.8	29.1	2.3	68.9	32.1	2.0	33.6	15.8	1.8
5.0	91.5	21.6	3.8	86.6	23.9	3.3	81.7	26.4	2.8	76.6	29.3	2.4	71.6	32.3	2.0	34.9	15.9	1.9
6.0	94.7	21.8	3.9	89.7	24.1	3.3	84.7	26.6	2.9	79.4	29.5	2.5	74.2	32.6	2.1	36.3	16.0	1.9
7.0	98.1	22.0	4.0	92.9	24.3	3.4	87.7	26.8	3.0	82.3	29.7	2.5	77.0	32.8	2.2	37.7	16.0	2.0
8.0	101.5	22.2	4.1	96.1	24.5	3.5	90.8	27.0	3.0	85.3	29.9	2.6	79.8	33.0	2.2	39.1	16.1	2.1
9.0	104.9	22.4	4.2	99.5	24.7	3.6	94.0	27.3	3.1	88.3	30.2	2.7	82.7	33.3	2.3	40.6	16.2	2.1
10.0	108.5	22.7	4.3	102.9	24.9	3.7	97.1	27.5	3.2	91.4	30.4	2.8	85.7	33.6	2.4	42.2	16.3	2.2
11.0	112.2	22.9	4.4	106.4	25.2	3.8	100.5	27.8	3.3	94.6	30.7	2.8	88.8	33.8	2.4	43.7	16.3	2.3
12.0	115.9	23.1	4.5	109.9	25.4	3.9	103.9	28.1	3.4	97.9	30.9	2.9	91.9	34.0	2.4	45.2	16.4	2.3

YCUL0036EB

LCWT (°C)	AIR TEMPERATURE ON - CONDENSER (°C)																	
	25°C			30°C			35°C			40°C			45°C			50°C		
	KWo	KWi	COP	KWo	KWi	COP	KWo	KWi	COP	KWo	KWi	COP	KWo	KWi	COP	KWo	KWi	COP
2.0	100.1	25.7	3.5	94.9	28.6	3.0	89.6	31.8	2.6	84.2	35.3	2.2	78.7	39.2	1.9	38.3	19.3	1.7
3.0	103.8	25.8	3.6	98.4	28.7	3.1	93.0	32.0	2.7	87.4	35.5	2.3	81.7	39.4	1.9	39.8	19.4	1.8
4.0	107.6	25.9	3.7	102.1	28.9	3.2	96.4	32.1	2.8	90.7	35.7	2.4	84.8	39.6	2.0	41.4	19.4	1.9
5.0	111.4	26.1	3.9	105.7	29.1	3.3	100.0	32.3	2.9	94.0	35.9	2.4	88.0	39.8	2.1	43.0	19.5	1.9
6.0	115.3	26.3	4.0	109.5	29.2	3.4	103.5	32.5	2.9	97.4	36.1	2.5	91.2	40.0	2.1	44.6	19.6	2.0
7.0	119.3	26.5	4.1	113.3	29.4	3.5	107.2	32.7	3.0	100.9	36.3	2.6	94.6	40.2	2.1	46.3	19.6	2.1
8.0	123.4	26.7	4.2	117.3	29.6	3.6	110.9	32.9	3.1	104.5	36.5	2.7	98.1	40.4	2.1	48.0	19.7	2.1
9.0	127.6	26.9	4.3	121.3	29.9	3.7	114.7	33.2	3.2	108.1	36.8	2.7	101.7	40.6	2.1	49.8	19.8	2.2
10.0	131.9	27.1	4.4	125.3	30.1	3.8	118.6	33.4	3.3	111.8	37.0	2.8	105.2	40.8	2.1	51.6	19.8	2.3
11.0	136.1	27.3	4.5	129.5	30.3	3.9	122.6	33.6	3.4	115.6	37.3	2.9	108.8	41.0	2.1	53.5	19.9	2.4
12.0	140.5	27.6	4.6	133.7	30.6	4.0	126.7	33.9	3.5	119.4	37.6	3.0	112.4	41.2	2.1	55.4	20.0	2.4

NOTES:

1. SST = Saturated Suction Temperature
2. kWo = Unit kW Cooling Capacity Output
3. kW_i = Compressors kW Input
4. COP = Coefficient of Performance (based on compressor and fan input kW)

YCUL0040EB

AIR TEMPERATURE ON - CONDENSER (°C)																		
LCWT (°C)	25°C			30°C			35°C			40°C			45°C			50°C		
	KWo	KWi	COP	KWo	KWi	COP	KWo	KWi	COP	KWo	KWi	COP	KWo	KWi	COP	KWo	KWi	COP
2.0	121.1	32.8	3.4	114.4	36.4	2.9	107.4	40.3	2.5	100.5	44.6	2.1	93.6	49.0	1.8	60.1	33.3	1.7
3.0	125.4	33.1	3.5	118.5	36.7	3.0	111.3	40.7	2.6	104.2	44.9	2.2	97.1	49.4	1.9	62.5	33.5	1.7
4.0	129.7	33.5	3.6	122.6	37.0	3.1	115.3	41.0	2.6	107.9	45.3	2.2	100.7	49.9	1.9	65.0	33.7	1.8
5.0	134.2	33.8	3.7	126.9	37.4	3.2	119.4	41.4	2.7	111.8	45.8	2.3	104.4	50.3	2.0	67.5	33.9	1.8
6.0	138.8	34.1	3.8	131.3	37.7	3.2	123.5	41.8	2.8	115.8	46.2	2.4	108.2	50.8	2.0	70.1	34.1	1.9
7.0	143.5	34.5	3.9	135.8	38.1	3.3	127.8	42.2	2.8	119.9	46.6	2.4	78.0	31.2	2.3	72.8	34.4	2.0
8.0	148.4	34.9	3.9	140.4	38.5	3.4	132.2	42.6	2.9	124.0	47.1	2.5	80.9	31.4	2.4	75.5	34.6	2.0
9.0	153.3	35.3	4.0	145.1	38.9	3.5	136.7	43.0	3.0	128.3	47.5	2.6	83.9	31.6	2.4	78.3	34.8	2.1
10.0	158.4	35.7	4.1	149.8	39.4	3.6	141.3	43.5	3.1	132.7	48.0	2.6	86.9	31.8	2.5	81.2	35.1	2.1
11.0	163.6	36.1	4.2	154.8	39.8	3.6	146.0	44.0	3.1	137.2	48.5	2.7	90.0	32.0	2.6	84.2	35.3	2.2
12.0	168.9	36.6	4.3	159.8	40.3	3.7	150.8	44.4	3.2	141.8	49.0	2.7	93.2	32.3	2.7	87.3	35.6	2.3

YCUL0046EB

AIR TEMPERATURE ON - CONDENSER (°C)																		
LCWT (°C)	25°C			30°C			35°C			40°C			45°C			50°C		
	KWo	KWi	COP	KWo	KWi	COP	KWo	KWi	COP	KWo	KWi	COP	KWo	KWi	COP	KWo	KWi	COP
2.0	133.2	32.6	3.5	126.1	36.4	3.0	118.9	40.6	2.6	109.5	46.8	2.1	104.7	50.3	1.9	49.9	25.6	1.6
3.0	138.1	32.7	3.6	128.8	37.6	3.0	123.4	40.8	2.7	116.0	45.4	2.3	108.8	50.5	1.9	51.9	25.7	1.7
4.0	143.2	32.9	3.7	135.7	36.7	3.2	128.1	40.9	2.8	120.4	45.6	2.4	113.0	50.7	2.0	54.0	25.7	1.7
5.0	148.4	33.0	3.8	140.8	36.8	3.3	132.9	41.0	2.9	125.0	45.7	2.4	117.3	50.9	2.1	56.2	25.7	1.8
6.0	153.7	33.2	4.0	145.8	37.0	3.4	137.8	41.2	3.0	129.7	45.9	2.5	121.7	51.1	2.2	58.4	25.8	1.9
7.0	159.3	33.3	4.1	151.1	37.1	3.5	142.9	41.3	3.0	134.5	46.1	2.6	126.3	51.3	2.2	60.7	25.8	1.9
8.0	164.2	33.8	4.2	156.5	37.3	3.7	148.0	41.5	3.1	139.4	46.3	2.7	130.9	51.6	2.3	63.0	25.8	2.0
9.0	170.1	33.9	4.3	161.3	37.8	3.7	152.5	42.1	3.2	144.5	46.5	2.8	135.8	51.8	2.4	65.5	25.9	2.1
10.0	176.1	34.0	4.5	167.1	37.9	3.8	158.0	42.2	3.3	149.9	47.1	2.8	139.8	52.5	2.4	68.0	25.9	2.2
11.0	182.3	34.1	4.6	173.0	38.0	4.0	163.6	42.4	3.4	154.3	47.3	2.9	145.0	52.7	2.5	70.5	25.9	2.2
12.0	188.5	34.2	4.7	179.0	38.2	4.1	169.4	42.6	3.5	159.9	47.4	3.0	150.3	52.9	2.6	73.1	26.0	2.3

YCUL0050EB

AIR TEMPERATURE ON - CONDENSER (°C)																		
LCWT (°C)	25°C			30°C			35°C			40°C			45°C			50°C		
	KWo	KWi	COP	KWo	KWi	COP	KWo	KWi	COP	KWo	KWi	COP	KWo	KWi	COP	KWo	KWi	COP
2.0	148.7	38.5	3.4	140.7	42.8	2.9	132.5	47.7	2.5	124.2	52.9	2.1	116.0	58.6	1.8	55.9	29.3	1.6
3.0	154.2	38.7	3.5	145.9	43.1	3.0	137.4	47.9	2.6	129.0	53.2	2.2	120.5	58.9	1.9	58.2	29.4	1.7
4.0	159.8	39.0	3.6	151.3	43.3	3.1	142.6	48.2	2.7	133.9	53.5	2.3	125.2	59.3	1.9	60.5	29.5	1.7
5.0	165.6	39.2	3.7	156.9	43.5	3.2	147.9	48.4	2.7	138.9	53.8	2.3	130.0	59.6	2.0	62.9	29.6	1.8
6.0	171.6	39.5	3.8	162.5	43.8	3.3	153.3	48.7	2.8	144.0	54.1	2.4	134.9	59.9	2.1	65.4	29.7	1.9
7.0	177.6	39.7	3.9	168.3	44.1	3.4	158.8	49.0	2.9	149.2	54.4	2.5	139.8	60.3	2.1	67.9	29.8	1.9
8.0	183.5	40.2	4.0	173.9	44.6	3.5	164.4	49.3	3.0	154.7	54.7	2.6	107.5	41.6	2.3	70.5	29.9	2.0
9.0	189.9	40.5	4.1	180.0	44.9	3.6	169.9	49.8	3.1	159.8	55.3	2.6	111.5	41.8	2.4	73.2	30.0	2.1
10.0	196.5	40.7	4.2	186.3	45.1	3.7	175.9	50.1	3.2	165.5	55.7	2.7	81.3	27.1	2.5	76.0	30.1	2.1
11.0	203.3	41.1	4.4	192.7	45.5	3.8	182.0	50.5	3.3	171.4	56.0	2.8	84.1	27.2	2.6	78.7	30.3	2.2
12.0	210.1	41.4	4.5	199.3	45.8	3.9	188.3	50.8	3.3	177.4	56.4	2.9	87.3	27.3	2.7	81.7	30.4	2.3

YCUL0056EB

AIR TEMPERATURE ON - CONDENSER (°C)																		
LCWT (°C)	25°C			30°C			35°C			40°C			45°C			50°C		
	KWo	KWi	COP	KWo	KWi	COP	KWo	KWi	COP	KWo	KWi	COP	KWo	KWi	COP	KWo	KWi	COP
2.0	164.6	43.0	3.4	155.6	47.7	2.9	146.4	52.9	2.5	137.0	58.7	2.1	127.6	64.7	1.8	62.1	32.0	1.7
3.0	170.7	43.3	3.5	161.4	48.0	3.0	151.8	53.3	2.6	142.3	59.0	2.2	132.6	65.1	1.9	64.6	32.1	1.7
4.0	176.9	43.6	3.6	167.3	48.3	3.1	157.5	53.7	2.7	147.7	59.4	2.3	137.7	65.6	1.9	67.1	32.3	1.8
5.0	183.2	44.0	3.7	173.3	48.7	3.2	163.2	54.0	2.7	153.1	59.8	2.3	143.0	66.0	2.0	69.8	32.4	1.8
6.0	189.7	44.3	3.8	179.5	49.1	3.3	169.1	54.4	2.8	158.6	60.3	2.4	148.4	66.5	2.1	72.5	32.6	1.9
7.0	196.3	44.7	3.9	185.9	49.5	3.4	175.1	54.9	2.9	164.4	60.7	2.5	153.8	67.0	2.1	75.3	32.7	2.0
8.0	203.2	45.2	4.0	192.4	49.9	3.5	181.4	55.3	3.0	170.3	61.2	2.6	159.3	67.6	2.2	78.2	32.9	2.0
9.0	210.1	45.6	4.1	199.0	50.4	3.6	187.7	55.7	3.1	176.3	61.7	2.6	86.9	29.8	2.5	81.1	33.1	2.1
10.0	217.3	46.1	4.2	205.8	50.8	3.7	194.2	56.2	3.1	182.5	62.2	2.7	90.2	30.0	2.5	84.2	33.2	2.2
11.0	224.6	46.6	4.3	212.8	51.3	3.7	200.9	56.7	3.2	188.9	62.7	2.8	93.2	30.3	2.6	87.1	33.6	2.2
12.0	232.1	47.1	4.4	220.0	51.8	3.8	207.7	57.2	3.3	195.4	63.3	2.8	96.7	30.4	2.7	90.4	33.7	2.3

NOTES:

1. SST = Saturated Suction Temperature
2. kW_o = Unit kW Cooling Capacity Output
3. kW_i = Compressors kW Input
4. COP = Coefficient of Performance (based on compressor and fan input kW)

Ratings - HFC-407C (SI Units)

YCUL0060EB

LCWT (°C)	AIR TEMPERATURE ON - CONDENSER (°C)																	
	25°C			30°C			35°C			40°C			45°C			50°C		
	KWo	KWi	COP	KWo	KWi	COP	KWo	KWi	COP	KWo	KWi	COP	KWo	KWi	COP	KWo	KWi	COP
2.0	180.3	48.9	3.3	170.7	54.3	2.9	160.9	60.2	2.5	150.8	66.7	2.1	104.1	50.6	1.9	68.9	36.1	1.65*
3.0	186.8	49.2	3.4	176.9	54.7	2.9	166.7	60.7	2.5	156.4	67.2	2.2	108.2	50.9	1.9	71.6	36.2	1.7
4.0	193.5	49.6	3.5	183.3	55.1	3.0	172.8	61.1	2.6	162.2	67.7	2.2	112.1	51.3	2.0	74.2	36.5	1.8
5.0	200.3	50.1	3.6	189.8	55.5	3.1	178.9	61.6	2.7	168.0	68.2	2.3	116.5	51.5	2.0	77.1	36.6	1.8
6.0	207.2	50.5	3.7	196.4	56.0	3.2	185.3	62.0	2.7	173.9	68.7	2.3	120.8	51.8	2.1	80.0	36.8	1.9
7.0	214.3	51.0	3.8	203.2	56.4	3.3	191.7	62.6	2.8	180.0	69.3	2.4	125.3	52.2	2.2	83.1	36.9	2.0
8.0	221.6	51.5	3.9	210.1	56.9	3.4	198.3	63.1	2.9	186.3	69.9	2.5	129.8	52.5	2.2	86.2	37.1	2.0
9.0	229.0	52.0	4.0	217.2	57.5	3.4	205.0	63.6	3.0	192.7	70.5	2.5	134.5	52.9	2.3	89.4	37.3	2.1
10.0	236.6	52.5	4.1	224.4	58.0	3.5	211.9	64.2	3.0	199.2	71.1	2.6	139.3	53.2	2.4	92.7	37.5	2.2
11.0	244.4	53.0	4.2	231.8	58.6	3.6	219.0	64.8	3.1	206.7	71.7	2.6	144.3	53.6	2.4	96.0	37.7	2.2
12.0	252.2	53.6	4.3	239.4	59.2	3.7	226.2	65.4	3.2	214.0	72.3	2.7	149.4	54.0	2.5	99.5	37.9	2.3

YCUL0066EB

LCWT (°C)	AIR TEMPERATURE ON - CONDENSER (°C)																	
	25°C			30°C			35°C			40°C			45°C			50°C		
	KWo	KWi	COP	KWo	KWi	COP	KWo	KWi	COP	KWo	KWi	COP	KWo	KWi	COP	KWo	KWi	COP
2.0	199.9	51.0	3.5	189.7	56.7	3.1	179.3	63.0	2.6	168.7	69.9	2.2	158.7	76.8	1.9	76.8	38.2	1.8
3.0	207.3	51.3	3.7	196.8	57.0	3.1	185.9	63.3	2.7	175.0	70.2	2.3	163.7	77.9	2.0	79.8	38.3	1.8
4.0	214.8	51.6	3.8	203.9	57.3	3.2	192.8	63.7	2.8	181.4	70.7	2.4	169.8	78.3	2.0	82.9	38.4	1.9
5.0	222.4	51.9	3.9	211.2	57.7	3.3	199.7	64.1	2.9	188.0	71.1	2.5	176.1	78.8	2.1	86.0	38.6	2.0
6.0	230.2	52.3	4.0	218.6	58.1	3.4	206.8	64.5	3.0	194.7	71.6	2.5	182.3	79.3	2.2	89.3	38.7	2.0
7.0	238.1	52.7	4.1	226.2	58.5	3.5	214.1	65.0	3.0	201.6	72.1	2.6	188.8	79.9	2.2	92.7	38.8	2.1
8.0	246.2	53.1	4.2	233.9	59.0	3.6	221.4	65.5	3.1	208.6	72.6	2.7	195.1	80.4	2.3	96.1	39.0	2.2
9.0	254.4	53.6	4.3	241.8	59.5	3.7	228.9	66.0	3.2	215.7	73.1	2.7	201.4	80.9	2.3	99.6	39.1	2.2
10.0	262.8	54.0	4.4	249.9	59.9	3.8	236.6	66.5	3.3	223.0	73.7	2.8	207.7	81.4	2.4	103.1	39.3	2.3
11.0	271.3	54.5	4.5	258.0	60.5	3.9	244.4	67.0	3.4	230.4	74.3	2.9	214.0	81.9	2.4	106.6	39.4	2.4
12.0	280.0	55.0	4.6	266.4	61.0	4.0	252.4	67.6	3.5	238.0	74.9	3.0	220.7	82.4	2.5	110.1	39.6	2.5

YCUL0076EB

LCWT (°C)	AIR TEMPERATURE ON - CONDENSER (°C)																	
	25°C			30°C			35°C			40°C			45°C			50°C		
	KWo	KWi	COP	KWo	KWi	COP	KWo	KWi	COP	KWo	KWi	COP	KWo	KWi	COP	KWo	KWi	COP
2.0	219.4	59.7	3.3	207.1	66.4	2.8	194.7	73.8	2.4	182.3	81.8	2.1	170.1	90.4	1.8	109.5	61.3	1.6
3.0	227.4	60.2	3.4	214.7	66.9	2.9	201.8	74.3	2.5	189.1	82.4	2.1	176.6	91.0	1.8	113.8	61.6	1.7
4.0	235.4	60.7	3.5	222.4	67.4	3.0	209.2	74.9	2.6	196.1	83.0	2.2	183.1	91.6	1.9	118.1	61.9	1.7
5.0	243.6	61.2	3.6	230.3	67.9	3.1	216.7	75.4	2.6	203.2	83.6	2.3	189.6	92.2	2.0	122.5	62.2	1.8
6.0	252.1	61.7	3.7	238.4	68.4	3.2	224.3	76.1	2.7	210.5	84.3	2.3	196.1	92.8	2.1	127.0	62.5	1.8
7.0	260.8	62.2	3.8	246.6	69.0	3.3	232.3	76.6	2.8	218.0	85.0	2.4	202.6	93.4	2.2	131.5	62.8	1.9
8.0	269.7	62.8	3.9	255.0	69.7	3.3	240.3	77.3	2.9	225.7	85.6	2.4	209.1	94.0	2.2	136.0	63.1	2.0
9.0	278.7	63.4	4.0	263.7	70.3	3.4	248.6	77.9	2.9	233.5	86.4	2.5	215.6	94.6	2.3	140.5	63.4	2.0
10.0	288.1	64.0	4.1	272.6	70.9	3.5	257.0	78.6	3.0	241.6	87.1	2.6	222.1	95.2	2.3	145.0	63.7	2.1
11.0	297.6	64.6	4.2	281.6	71.6	3.6	265.6	79.4	3.1	249.9	87.9	2.6	228.6	95.8	2.4	149.5	64.0	2.1
12.0	307.3	65.2	4.3	290.9	72.3	3.7	274.5	80.1	3.2	258.3	88.7	2.7	235.1	96.4	2.5	154.0	64.3	2.2

YCUL0080EB

LCWT (°C)	AIR TEMPERATURE ON - CONDENSER (°C)																	
	25°C			30°C			35°C			40°C			45°C			50°C		
	KWo	KWi	COP	KWo	KWi	COP	KWo	KWi	COP	KWo	KWi	COP	KWo	KWi	COP	KWo	KWi	COP
2.0	246.5	65.3	3.4	232.8	72.6	2.9	218.7	80.7	2.5	204.5	89.5	2.1	190.4	98.7	1.8	122.5	66.9	1.7
3.0	255.4	65.8	3.5	241.3	73.1	3.0	226.8	81.3	2.6	212.2	90.1	2.2	197.7	99.4	1.9	127.3	67.4	1.7
4.0	264.6	66.4	3.6	250.0	73.7	3.1	235.1	81.9	2.7	220.1	90.7	2.3	205.3	100.2	1.9	132.3	67.8	1.8
5.0	274.0	67.0	3.7	259.0	74.3	3.2	243.6	82.5	2.7	228.2	91.4	2.3	213.0	100.9	2.0	137.4	68.3	1.8
6.0	283.6	67.6	3.8	268.1	74.9	3.3	252.3	83.1	2.8	236.5	92.1	2.4	220.9	101.7	2.0	141.8	69.2	1.9
7.0	293.5	68.2	3.9	277.5	75.5	3.4	261.3	83.8	2.9	244.9	92.9	2.5	228.8	102.5	2.1	146.3	69.6	1.9
8.0	303.6	68.9	4.0	287.1	76.2	3.5	270.3	84.6	3.0	253.7	93.6	2.5	236.7	103.3	2.1	150.8	70.0	2.0
9.0	313.8	69.7	4.1	297.0	77.0	3.6	279.8	85.3	3.0	262.6	94.5	2.6	244.6	104.1	2.2	155.3	70.4	2.1
10.0	324.4	70.4	4.2	307.1	77.7	3.6	289.4	86.1	3.1	271.8	95.3	2.7	252.5	104.9	2.2	160.0	70.8	2.1
11.0	335.2	71.2	4.3	317.4	78.5	3.7	299.2	86.9	3.2	281.1	96.2	2.7	260.4	105.7	2.3	164.8	71.2	2.2
12.0	346.3	72.0	4.4	328.0	79.3	3.8	309.3	87.7	3.3	290.8	97.1	2.8	268.3	106.5	2.4	169.7	71.7	2.3

NOTES:

1. SST = Saturated Suction Temperature
2. kWo = Unit kW Cooling Capacity Output
3. kW_i = Compressors kW Input
4. COP = Coefficient of Performance (based on compressor and fan input kW)

YCUL0086EB

AIR TEMPERATURE ON - CONDENSER (°C)																		
LCWT (°C)	25°C			30°C			35°C			40°C			45°C			50°C		
	KWo	KWi	COP	KWo	KWi	COP	KWo	KWi	COP	KWo	KWi	COP	KWo	KWi	COP	KWo	KWi	COP
2.0	269.6	72.4	3.4	255.0	80.5	2.9	240.0	89.4	2.5	224.8	99.2	2.1	174.4	85.6	1.9	135.1	74.1	1.7
3.0	279.2	73.0	3.5	264.2	81.1	3.0	248.7	90.1	2.6	233.0	99.9	2.2	181.0	86.2	2.0	140.3	74.6	1.7
4.0	289.0	73.7	3.6	273.5	81.8	3.1	257.6	90.8	2.6	241.4	100.7	2.2	187.8	86.7	2.0	145.6	75.0	1.8
5.0	299.0	74.4	3.7	283.1	82.5	3.2	266.7	91.6	2.7	250.0	101.6	2.3	194.8	87.3	2.1	151.1	75.5	1.8
6.0	309.3	75.0	3.8	292.9	83.2	3.3	276.0	92.4	2.8	258.8	102.4	2.4	202.0	87.9	2.1	156.4	76.2	1.9
7.0	319.9	75.8	3.9	302.8	84.0	3.3	285.5	93.2	2.9	267.8	103.3	2.4	174.2	69.2	2.3	162.2	76.6	1.9
8.0	330.6	76.5	4.0	313.0	84.8	3.4	295.2	94.1	2.9	277.1	104.2	2.5	180.5	69.6	2.4	168.2	77.1	2.0
9.0	341.5	77.3	4.1	323.5	85.7	3.5	305.1	94.9	3.0	286.4	105.2	2.6	187.0	70.0	2.4	174.4	77.5	2.1
10.0	352.7	78.2	4.2	334.2	86.5	3.6	315.3	95.8	3.1	296.0	106.2	2.6	193.7	70.4	2.5	180.7	78.0	2.1
11.0	364.2	79.0	4.2	345.1	87.4	3.7	325.6	96.8	3.1	256.4	82.6	2.9	200.5	70.9	2.6	187.2	78.5	2.2
12.0	375.8	79.9	4.3	356.2	88.3	3.7	336.2	97.8	3.2	265.1	83.3	2.9	207.5	71.4	2.7	193.8	79.0	2.3

YCUL0090EB

AIR TEMPERATURE ON - CONDENSER (°C)																		
LCWT (°C)	25°C			30°C			35°C			40°C			45°C			50°C		
	KWo	KWi	COP	KWo	KWi	COP	KWo	KWi	COP	KWo	KWi	COP	KWo	KWi	COP	KWo	KWi	COP
2.0	292.1	79.9	3.4	276.6	88.9	2.9	260.7	98.7	2.5	244.5	109.6	2.1	158.6	73.7	2.0	147.4	81.8	1.7
3.0	302.2	80.8	3.5	286.4	89.7	3.0	270.0	99.6	2.5	253.2	110.5	2.2	164.5	74.1	2.0	152.9	82.2	1.7
4.0	312.7	81.5	3.5	296.4	90.5	3.1	279.4	100.5	2.6	262.1	111.4	2.2	170.6	74.5	2.1	158.6	82.8	1.8
5.0	323.4	82.3	3.6	306.5	91.3	3.1	289.1	101.4	2.7	271.2	112.4	2.3	176.9	75.0	2.2	164.5	83.2	1.8
6.0	334.4	83.1	3.7	317.0	92.1	3.2	298.9	102.3	2.7	280.5	113.4	2.3	183.3	75.4	2.2	170.5	83.7	1.9
7.0	345.5	83.9	3.8	327.4	93.1	3.3	309.0	103.2	2.8	290.0	114.5	2.4	189.8	75.9	2.3	176.7	84.2	1.9
8.0	356.9	84.7	3.9	338.2	94.1	3.4	319.3	104.2	2.9	299.7	115.5	2.5	196.5	76.4	2.4	183.0	84.7	2.0
9.0	368.5	85.6	4.0	349.2	95.0	3.4	329.7	105.2	2.9	309.5	116.6	2.5	203.4	76.9	2.4	189.5	85.2	2.1
10.0	380.3	86.5	4.1	360.5	96.0	3.5	340.4	106.3	3.0	319.7	117.7	2.6	210.4	77.4	2.5	196.1	85.8	2.1
11.0	392.3	87.4	4.2	371.9	97.0	3.6	351.1	107.5	3.1	330.0	118.9	2.6	217.6	77.9	2.6	203.0	86.3	2.2
12.0	404.5	88.4	4.3	383.6	98.0	3.7	362.2	108.6	3.1	239.8	70.7	3.1	225.0	78.4	2.6	209.9	86.9	2.2

YCUL0096EB

AIR TEMPERATURE ON - CONDENSER (°C)																		
LCWT (°C)	25°C			30°C			35°C			40°C			45°C			50°C		
	KWo	KWi	COP	KWo	KWi	COP	KWo	KWi	COP	KWo	KWi	COP	KWo	KWi	COP	KWo	KWi	COP
2.0	282.1	71.9	3.4	267.8	79.1	3.0	252.8	87.1	2.6	236.9	96.4	2.2	221.8	105.8	1.9	203.5	118.0	1.6
3.0	292.8	72.4	3.5	278.1	79.6	3.1	262.6	87.7	2.7	246.2	96.9	2.3	230.5	106.4	2.0	211.7	118.6	1.6
4.0	303.9	73.0	3.6	288.7	80.2	3.2	272.8	88.3	2.8	255.8	97.5	2.4	239.4	107.0	2.0	220.2	119.1	1.7
5.0	315.1	73.5	3.7	299.5	80.8	3.3	283.0	88.9	2.8	265.7	98.1	2.4	247.1	108.6	2.1	228.8	119.7	1.8
6.0	326.6	74.1	3.9	310.5	81.5	3.4	293.6	89.6	2.9	275.7	98.7	2.5	257.9	108.5	2.2	237.7	120.4	1.8
7.0	338.4	74.8	4.0	321.8	82.2	3.5	304.4	90.3	3.0	286.0	99.4	2.6	267.6	109.2	2.2	246.9	121.0	1.9
8.0	350.3	75.5	4.1	333.3	82.9	3.6	315.4	91.0	3.1	296.5	100.1	2.7	276.4	110.5	2.3	255.1	122.5	1.9
9.0	362.5	76.2	4.2	345.1	83.6	3.7	326.7	91.8	3.2	307.2	100.9	2.8	286.6	111.3	2.4	264.7	123.2	2.0
10.0	375.1	76.8	4.3	357.1	84.4	3.8	338.2	92.6	3.3	318.2	101.7	2.8	297.1	112.1	2.4	274.7	123.9	2.0
11.0	388.0	77.5	4.4	369.3	85.2	3.9	349.9	93.4	3.4	329.4	102.5	2.9	307.8	112.9	2.5	212.1	87.0	2.2
12.0	401.1	78.3	4.5	381.9	86.0	4.0	362.0	94.2	3.5	340.9	103.4	3.0	318.7	113.7	2.6	220.1	87.4	2.2

YCUL0100EB

AIR TEMPERATURE ON - CONDENSER (°C)																		
LCWT (°C)	25°C			30°C			35°C			40°C			45°C			50°C		
	KWo	KWi	COP	KWo	KWi	COP	KWo	KWi	COP	KWo	KWi	COP	KWo	KWi	COP	KWo	KWi	COP
2.0	304.9	79.0	3.4	290.0	86.8	3.0	274.6	95.2	2.6	258.2	104.7	2.2	240.6	115.5	1.9	221.6	127.9	1.6
3.0	316.3	79.7	3.5	300.9	87.5	3.1	284.8	96.0	2.7	268.0	105.5	2.3	250.0	116.2	2.0	230.4	128.5	1.7
4.0	328.0	80.4	3.6	312.0	88.2	3.2	295.5	96.8	2.8	278.1	106.3	2.4	259.5	117.0	2.0	239.5	129.2	1.7
5.0	339.9	81.0	3.7	323.3	89.0	3.2	306.3	97.6	2.8	288.3	107.1	2.5	269.3	117.8	2.1	248.8	129.9	1.8
6.0	352.1	81.7	3.8	334.9	89.8	3.3	317.3	98.4	2.9	298.8	108.0	2.5	279.2	118.7	2.2	258.2	130.7	1.8
7.0	364.5	82.4	3.9	346.8	90.6	3.4	328.6	99.3	3.0	309.6	108.9	2.6	289.4	119.6	2.2	267.9	131.6	1.9
8.0	377.0	83.3	4.0	359.0	91.4	3.5	340.2	100.2	3.1	320.6	109.8	2.7	299.9	120.5	2.3	277.8	132.5	1.9
9.0	390.1	84.0	4.1	371.5	92.2	3.6	352.1	101.0	3.2	331.8	110.7	2.7	310.5	121.5	2.4	288.0	133.4	2.0
10.0	403.4	84.7	4.2	384.0	93.1	3.7	364.1	102.0	3.2	343.4	111.7	2.8	321.5	122.4	2.4	298.3	134.3	2.1
11.0	417.1	85.4	4.3	397.0	93.9	3.8	376.6	102.9	3.3	355.1	112.7	2.9	332.7	123.4	2.5	163.5	60.0	2.3
12.0	431.1	86.1	4.5	410.3	94.8	3.9	389.3	103.8	3.4	367.2	113.6	3.0	344.1	124.4	2.5	169.5	60.3	2.4

NOTES:

1. SST = Saturated Suction Temperature
2. kW_o = Unit kW Cooling Capacity Output
3. kW_i = Compressors kW Input
4. COP = Coefficient of Performance (based on compressor and fan input kW)

Ratings - HFC-407C (SI Units)

YCUL0106EB

LCWT (°C)	AIR TEMPERATURE ON - CONDENSER (°C)																	
	25°C			30°C			35°C			40°C			45°C			50°C		
	KW _o	KW _i	COP	KW _o	KW _i	COP	KW _o	KW _i	COP	KW _o	KW _i	COP	KW _o	KW _i	COP	KW _o	KW _i	COP
2.0	341.7	90.6	3.4	323.6	99.8	2.9	304.5	110.3	2.5	284.1	122.5	2.1	262.1	136.8	1.8	201.6	117.8	1.6
3.0	354.2	91.5	3.5	335.6	100.8	3.0	315.8	111.3	2.6	294.8	123.5	2.2	272.2	137.8	1.8	209.8	118.3	1.6
4.0	367.1	92.4	3.6	347.8	101.8	3.1	327.4	112.4	2.7	305.8	124.6	2.3	282.5	138.8	1.9	218.1	119.0	1.7
5.0	380.2	93.4	3.7	360.3	102.8	3.2	339.3	113.5	2.7	316.9	125.7	2.3	293.1	139.8	2.0	226.5	119.6	1.7
6.0	393.6	94.4	3.7	373.0	103.9	3.3	351.3	114.6	2.8	328.4	126.8	2.4	304.0	140.9	2.0	235.3	120.3	1.8
7.0	407.3	95.4	3.8	386.0	105.1	3.3	363.7	115.8	2.9	340.2	128.0	2.5	315.2	142.0	2.1	244.2	121.1	1.9
8.0	421.3	96.5	3.9	399.4	106.2	3.4	376.5	116.9	3.0	352.3	129.1	2.5	326.6	143.1	2.1	253.4	121.9	1.9
9.0	435.7	97.6	4.0	413.2	107.3	3.5	389.5	118.1	3.0	364.7	130.3	2.6	338.4	144.3	2.2	262.8	122.7	2.0
10.0	450.4	98.6	4.1	427.2	108.4	3.6	402.9	119.3	3.1	377.4	131.5	2.7	350.4	145.5	2.2	203.0	85.7	2.1
11.0	465.5	99.7	4.2	441.6	109.6	3.7	416.6	120.5	3.2	390.4	132.7	2.7	362.7	146.7	2.3	210.5	86.2	2.2
12.0	481.0	100.8	4.3	456.4	110.8	3.8	430.7	121.7	3.3	403.7	134.0	2.8	375.2	148.0	2.4	218.3	86.7	2.2

YCUL0120EB

LCWT (°C)	AIR TEMPERATURE ON - CONDENSER (°C)																	
	25°C			30°C			35°C			40°C			45°C			50°C		
	KW _o	KW _i	COP	KW _o	KW _i	COP	KW _o	KW _i	COP	KW _o	KW _i	COP	KW _o	KW _i	COP	KW _o	KW _i	COP
2.0	384.1	98.4	3.4	363.6	108.6	3.0	341.6	120.3	2.5	318.1	134.2	2.1	292.8	150.7	1.8	265.6	170.4	1.4
3.0	398.5	99.3	3.5	377.4	109.5	3.1	354.8	121.2	2.6	330.6	135.0	2.2	304.6	151.5	1.8	276.7	170.9	1.5
4.0	413.2	100.3	3.6	391.5	110.5	3.1	368.2	122.2	2.7	343.4	136.0	2.3	316.7	152.3	1.9	288.1	171.7	1.6
5.0	428.3	101.3	3.7	405.9	111.5	3.2	382.0	123.3	2.8	356.4	137.0	2.4	329.0	153.2	2.0	299.7	172.4	1.6
6.0	443.5	102.4	3.8	420.6	112.6	3.3	396.1	124.3	2.9	369.8	138.0	2.4	341.6	154.2	2.0	311.6	173.3	1.7
7.0	459.3	103.5	3.9	435.7	113.8	3.4	410.4	125.5	2.9	383.4	139.2	2.5	354.6	155.2	2.1	323.9	174.1	1.7
8.0	475.4	104.6	4.0	451.1	115.0	3.5	425.1	126.7	3.0	397.4	140.3	2.6	367.9	156.3	2.2	336.6	175.0	1.8
9.0	491.8	105.8	4.1	466.8	116.2	3.6	440.2	127.9	3.1	411.8	141.5	2.6	381.6	157.4	2.2	349.7	175.9	1.8
10.0	508.7	107.0	4.2	483.0	117.4	3.7	455.7	129.2	3.2	426.6	142.7	2.7	395.7	158.5	2.3	254.6	107.5	2.1
11.0	526.0	108.2	4.3	499.6	118.7	3.8	471.6	130.4	3.3	441.7	144.0	2.8	409.9	159.8	2.4	264.3	108.0	2.2
12.0	543.6	109.5	4.4	516.6	120.0	3.8	487.7	131.8	3.3	457.1	145.3	2.9	424.9	160.9	2.4	274.2	108.6	2.2

YCUL0130EB

LCWT (°C)	AIR TEMPERATURE ON - CONDENSER (°C)																	
	25°C			30°C			35°C			40°C			45°C			50°C		
	KW _o	KW _i	COP	KW _o	KW _i	COP	KW _o	KW _i	COP	KW _o	KW _i	COP	KW _o	KW _i	COP	KW _o	KW _i	COP
2.0	418.3	110.3	3.4	396.6	121.3	2.9	373.7	133.8	2.5	349.2	148.2	2.2	323.0	165.0	1.8	294.7	184.4	1.5
3.0	433.6	111.4	3.5	411.2	122.5	3.0	387.6	135.0	2.6	362.5	149.4	2.2	335.5	166.0	1.9	256.3	146.7	1.6
4.0	449.3	112.5	3.5	426.2	123.7	3.1	401.9	136.2	2.7	376.1	150.6	2.3	348.3	167.2	1.9	266.6	147.4	1.7
5.0	465.4	113.7	3.6	441.6	124.9	3.2	416.5	137.5	2.7	389.9	151.9	2.4	361.5	168.4	2.0	277.1	148.2	1.7
6.0	481.9	114.9	3.7	457.4	126.2	3.3	431.5	138.8	2.8	404.1	153.1	2.4	374.9	169.6	2.0	287.9	149.0	1.8
7.0	498.8	116.0	3.8	473.4	127.5	3.3	446.8	140.1	2.9	418.7	154.5	2.5	388.7	170.9	2.1	298.9	149.8	1.8
8.0	516.1	117.3	3.9	489.9	128.8	3.4	462.5	141.5	3.0	433.6	155.9	2.6	402.9	172.2	2.2	310.3	150.7	1.9
9.0	533.7	118.5	4.0	506.8	130.1	3.5	478.6	142.9	3.0	448.9	157.3	2.6	417.4	173.6	2.2	322.1	151.6	1.9
10.0	551.9	119.7	4.1	524.2	131.5	3.6	495.1	144.3	3.1	464.6	158.7	2.7	432.3	175.0	2.3	279.6	117.8	2.1
11.0	570.5	121.0	4.2	541.9	132.8	3.7	512.0	145.7	3.2	480.6	160.1	2.8	447.4	176.4	2.3	289.7	118.6	2.2
12.0	589.5	122.3	4.3	560.0	134.2	3.8	529.3	147.2	3.3	497.1	161.6	2.8	463.1	177.9	2.4	300.4	119.2	2.3

NOTES:

1. SST = Saturated Suction Temperature
2. kW_o = Unit kW Cooling Capacity Output
3. kW_i = Compressors kW Input
4. COP = Coefficient of Performance (based on compressor and fan input kW)



Part Load Ratings - R-22 (English Units)

YCUL0016EC

% DISPL.	AMBIENT DEG F	TONS	COMPR kW	EER
100.0	95.0	15.2	14.1	10.8
50.0	69.2	8.7	5.1	16.1

YCUL0030EC

% DISPL.	AMBIENT DEG F	TONS	COMPR kW	EER
100.0	95.0	25.9	25.2	11.1
50.0	69.0	14.6	9.2	16.6

YCUL0040EC

% DISPL.	AMBIENT DEG F	TONS	COMPR kW	EER
100.0	95.0	37.7	39.8	10.6
66.7	79.8	28.1	20.5	14.5
33.3	59.2	15.2	8.3	18.8

YCUL0050EC

% DISPL.	AMBIENT DEG F	TONS	COMPR kW	EER
100.0	95.0	46.9	45.8	11.0
78.2	84.4	38.6	30.9	12.7
50.0	68.9	26.5	16.5	16.5
28.2	55.0	15.3	8.5	18.6

YCUL0060EC

% DISPL.	AMBIENT DEG F	TONS	COMPR kW	EER
100.0	95.0	56.2	59.2	10.4
76.5	84.5	46.4	39.9	12.2
50.0	69.0	31.9	21.3	15.9
26.5	55.0	18.4	10.3	18.8

YCUL0076EC

% DISPL.	AMBIENT DEG F	TONS	COMPR kW	EER
100.0	95.0	68.9	71.9	10.5
85.5	88.4	61.2	55.4	11.8
66.7	79.7	51.3	36.7	14.2
52.2	69.7	39.8	28.1	15.1
33.3	59.3	27.9	14.5	18.7
18.8	55.0	15.5	8.2	18.8

YCUL0086EC

% DISPL.	AMBIENT DEG F	TONS	COMPR kW	EER
100.0	95.0	83.6	88.6	10.5
84.3	88.3	74.3	68.3	11.9
66.7	79.6	62.2	45.1	14.4
51.0	69.4	47.9	35.2	14.9
33.3	59.0	33.5	18.2	18.6
17.7	55.0	18.6	9.6	19.7

YCUL0026EC

% DISPL.	AMBIENT DEG F	TONS	COMPR kW	EER
100.0	95.0	20.8	20.3	10.8
50.0	69.3	11.9	7.1	16.7

YCUL0036EC

% DISPL.	AMBIENT DEG F	TONS	COMPR kW	EER
100.0	95.0	31.2	31.2	11.0
50.0	68.7	17.5	11.2	16.6

YCUL0046EC

% DISPL.	AMBIENT DEG F	TONS	COMPR kW	EER
100.0	95.0	42.3	39.5	11.3
75.0	83.2	34.0	24.9	13.4
50.0	68.9	23.9	13.9	17.1
25.0	55.0	12.6	6.0	20.4

YCUL0056EC

% DISPL.	AMBIENT DEG F	TONS	COMPR kW	EER
100.0	95.0	51.7	51.3	10.9
75.0	83.4	41.7	32.7	13.1
50.0	68.9	29.3	18.8	16.3
25.0	55.0	15.5	8.4	18.9

YCUL0066EC

% DISPL.	AMBIENT DEG F	TONS	COMPR kW	EER
100.0	95.0	62.2	62.1	11.0
75.0	83.3	50.0	39.2	13.4
50.0	68.7	34.9	22.4	16.6
25.0	55.0	18.4	9.9	19.6

YCUL0080EC

% DISPL.	AMBIENT DEG F	TONS	COMPR kW	EER
100.0	95.0	77.0	78.8	10.8
83.3	87.6	67.5	58.6	12.4
66.7	79.5	57.1	40.8	14.4
50.0	68.6	43.1	29.7	15.6
33.3	59.0	30.8	16.9	18.2
16.7	55.0	15.6	8.2	18.9

YCUL0090EC

% DISPL.	AMBIENT DEG F	TONS	COMPR kW	EER
100.0	95.0	90.1	97.9	10.3
83.3	87.8	79.2	72.0	12.1
66.7	79.8	67.2	49.2	14.4
50.0	68.6	50.5	36.2	15.3
33.3	59.1	36.2	19.5	19.0
16.7	55.0	18.4	9.4	19.8

YCUL0096EC				
% DISPL.	AMBIENT DEG F	TONS	COMPR kW	EER
100.0	95.0	90.8	88.6	11.0
77.8	84.0	74.2	60.4	12.8
50.0	67.8	49.6	35.4	15.3
27.8	55.0	28.5	17.9	17.3

YCUL0106EC				
% DISPL.	AMBIENT DEG F	TONS	COMPR kW	EER
100.0	95.0	108.9	114.1	10.5
81.8	86.9	94.3	81.2	12.3
59.1	75.2	72.9	51.3	14.5
40.9	63.0	50.8	33.5	16.5
18.2	55.0	23.9	13.7	18.5

YCUL0130EC				
% DISPL.	AMBIENT DEG F	TONS	COMPR kW	EER
100.0	95.0	133.6	138.0	10.5
85.2	88.1	118.3	106.4	11.7
66.7	77.5	94.7	79.0	13.2
51.9	69.0	75.7	56.3	14.7
33.3	58.0	51.3	32.4	17.1
18.5	55.0	28.2	17.8	17.2

YCUL0100EC				
% DISPL.	AMBIENT DEG F	TONS	COMPR kW	EER
100.0	95.0	98.4	97.0	10.9
75.0	83.0	78.8	63.5	13.0
50.0	67.8	53.8	39.2	15.1
25.0	55.0	28.5	17.9	17.3

YCUL0120EC				
% DISPL.	AMBIENT DEG F	TONS	COMPR kW	EER
100.0	95.0	122.1	124.5	10.6
83.3	87.5	106.8	93.0	11.9
66.7	77.5	86.6	70.7	13.3
50.0	68.2	67.5	48.0	15.2
33.3	58.0	46.8	28.5	17.5
16.7	55.0	23.7	13.8	18.2

Part Load Ratings - R-22 (SI Units)

YCUL0016EC

% DISPL.	AMBIENT DEG C	KW	COMPR kW	COP
100.0	35.0	53.5	14.1	3.17
50.0	20.7	30.5	5.1	4.71

YCUL0030EC

% DISPL.	AMBIENT DEG C	KW	COMPR kW	COP
100.0	35.0	91.0	25.2	3.25
50.0	20.5	51.5	9.2	4.85

YCUL0040EC

% DISPL.	AMBIENT DEG C	KW	COMPR kW	COP
100.0	35.0	132.6	39.8	3.11
66.7	26.5	98.9	20.5	4.25
33.3	15.1	53.5	8.3	5.50

YCUL0050EC

% DISPL.	AMBIENT DEG C	KW	COMPR kW	COP
100.0	35.0	165.1	45.8	3.21
78.2	29.1	135.9	30.9	3.72
50.0	20.5	93.3	16.5	4.83
28.2	12.8	54.0	8.5	5.44

YCUL0060EC

% DISPL.	AMBIENT DEG C	KW	COMPR kW	COP
100.0	35.0	197.8	59.2	3.05
76.5	29.1	163.0	39.9	3.58
50.0	20.6	112.1	21.3	4.66
26.5	12.8	64.6	10.3	5.51

YCUL0076EC

% DISPL.	AMBIENT DEG C	KW	COMPR kW	COP
100.0	35.0	242.1	71.9	3.08
85.5	31.3	215.3	55.4	3.46
66.7	26.5	180.5	36.7	4.15
52.2	20.9	139.9	28.1	4.44
33.3	15.2	98.0	14.5	5.48
18.8	12.8	54.5	8.2	5.52

YCUL0086EC

% DISPL.	AMBIENT DEG C	KW	COMPR kW	COP
100.0	35.0	294.1	88.6	3.08
84.3	31.3	261.3	68.3	3.48
66.7	26.5	218.8	45.1	4.21
51.0	20.8	168.4	35.2	4.36
33.3	15.0	117.9	18.2	5.46
17.7	12.8	65.3	9.6	5.78

YCUL0026EC

% DISPL.	AMBIENT DEG C	KW	COMPR kW	COP
100.0	35.0	73.3	20.3	3.17
50.0	20.7	41.9	7.1	4.91

YCUL0036EC

% DISPL.	AMBIENT DEG C	KW	COMPR kW	COP
100.0	35.0	109.6	31.2	3.23
50.0	20.4	61.5	11.2	4.88

YCUL0046EC

% DISPL.	AMBIENT DEG C	KW	COMPR kW	COP
100.0	35.0	148.6	39.5	3.30
75.0	28.5	119.4	24.9	3.92
50.0	20.5	83.9	13.9	5.02
25.0	12.8	44.3	6.0	5.99

YCUL0056EC

% DISPL.	AMBIENT DEG C	KW	COMPR kW	COP
100.0	35.0	181.9	51.3	3.20
75.0	28.5	146.6	32.7	3.83
50.0	20.5	102.9	18.8	4.77
25.0	12.8	54.5	8.4	5.54

YCUL0066EC

% DISPL.	AMBIENT DEG C	KW	COMPR kW	COP
100.0	35.0	218.6	62.1	3.23
75.0	28.5	175.8	39.2	3.93
50.0	20.4	122.7	22.4	4.87
25.0	12.8	64.7	9.9	5.74

YCUL0080EC

% DISPL.	AMBIENT DEG C	KW	COMPR kW	COP
100.0	35.0	270.8	78.8	3.16
83.3	30.9	237.5	58.6	3.63
66.7	26.4	200.8	40.8	4.21
50.0	20.3	151.7	29.7	4.58
33.3	15.0	108.2	16.9	5.34
16.7	12.8	55.0	8.2	5.54

YCUL0090EC

% DISPL.	AMBIENT DEG C	KW	COMPR kW	COP
100.0	35.0	316.7	97.9	3.03
83.3	31.0	278.6	72.0	3.53
66.7	26.5	236.4	49.2	4.22
50.0	20.4	177.5	36.2	4.49
33.3	15.1	127.2	19.5	5.57
16.7	12.8	64.6	9.4	5.82

YCUL0096EC				
% DISPL.	AMBIENT DEG C	KW	COMPR kW	COP
100.0	35.0	319.4	88.6	3.21
77.8	28.9	260.8	60.4	3.76
50.0	19.9	174.6	35.4	4.48
27.8	12.8	100.1	17.9	5.08

YCUL0106EC				
% DISPL.	AMBIENT DEG C	KW	COMPR kW	COP
100.0	35.0	383.0	114.1	3.07
81.8	30.5	331.6	81.2	3.60
59.1	24.0	256.4	51.3	4.25
40.9	17.2	178.7	33.5	4.82
18.2	12.8	84.1	13.7	5.41

YCUL0130EC				
% DISPL.	AMBIENT DEG C	KW	COMPR kW	COP
100.0	35.0	469.7	138.0	3.08
85.2	31.2	415.9	106.4	3.44
66.7	25.3	333.0	79.0	3.86
51.9	20.6	266.3	56.3	4.31
33.3	14.5	180.4	32.4	5.01
18.5	12.8	99.0	17.8	5.05

YCUL0100EC				
% DISPL.	AMBIENT DEG C	KW	COMPR kW	COP
100.0	35.0	346.0	97.0	3.21
75.0	28.4	277.0	63.5	3.82
50.0	19.9	189.2	39.2	4.42
25.0	12.8	100.1	17.9	5.08

YCUL0120EC				
% DISPL.	AMBIENT DEG C	KW	COMPR kW	COP
100.0	35.0	429.5	124.5	3.09
83.3	30.8	375.5	93.0	3.50
66.7	25.3	304.5	70.7	3.91
50.0	20.1	237.5	48.0	4.45
33.3	14.4	164.5	28.5	5.13
16.7	12.8	83.4	13.8	5.34

Part Load Ratings - HFC-407C (English Units)

YCUL0016EB				
% DISPL.	AMBIENT DEG F	TONS	COMPR kW	EER
100.0	95.0	14.5	14.9	9.9
50.0	70.2	8.5	5.1	15.6

YCUL0030EB				
% DISPL.	AMBIENT DEG F	TONS	COMPR kW	EER
100.0	95.0	25.1	26.9	10.2
50.0	70.1	14.7	9.6	16.1

YCUL0040EB				
% DISPL.	AMBIENT DEG F	TONS	COMPR kW	EER
100.0	95.0	36.6	42.3	9.7
66.7	80.7	27.9	21.6	13.7
33.3	60.4	15.5	8.6	18.6

YCUL0050EB				
% DISPL.	AMBIENT DEG F	TONS	COMPR kW	EER
100.0	95.0	45.5	49.1	10.0
78.2	84.9	37.9	33.1	11.7
50.0	70.0	26.6	17.2	15.9
28.2	55.6	15.6	8.8	18.4

YCUL0060EB				
% DISPL.	AMBIENT DEG F	TONS	COMPR kW	EER
100.0	95.0	54.9	62.7	9.6
76.5	85.1	45.9	42.1	11.5
50.0	70.1	32.1	22.0	15.6
26.5	55.6	18.9	10.2	19.6

YCUL0076EB				
% DISPL.	AMBIENT DEG F	TONS	COMPR kW	EER
100.0	95.0	66.5	76.8	9.6
85.5	88.7	59.5	59.2	10.8
66.7	80.6	50.5	39.0	13.2
52.2	70.7	39.5	29.5	14.4
33.3	60.4	28.2	15.0	18.4
18.8	55.0	15.8	8.5	18.7

YCUL0086EB				
% DISPL.	AMBIENT DEG F	TONS	COMPR kW	EER
100.0	95.0	81.8	93.4	9.8
84.3	88.7	73.2	71.9	11.2
66.7	80.5	62.0	47.4	13.7
51.0	70.3	48.1	36.5	14.5
33.3	60.2	34.4	18.2	19.1
17.7	55.0	19.3	9.0	21.7

YCUL0026EB				
% DISPL.	AMBIENT DEG F	TONS	COMPR kW	EER
100.0	95.0	20.1	21.8	9.8
50.0	70.3	11.8	7.5	16.0

YCUL0036EB				
% DISPL.	AMBIENT DEG F	TONS	COMPR kW	EER
100.0	95.0	30.7	32.8	10.4
50.0	69.7	17.8	11.4	16.7

YCUL0046EB				
% DISPL.	AMBIENT DEG F	TONS	COMPR kW	EER
100.0	95.0	40.9	41.4	10.5
75.0	83.5	33.1	26.3	12.5
50.0	69.9	23.8	14.3	16.7
25.0	55.0	12.8	6.0	20.6

YCUL0056EB				
% DISPL.	AMBIENT DEG F	TONS	COMPR kW	EER
100.0	95.0	50.2	55.0	9.9
75.0	84.1	41.0	34.8	12.2
50.0	70.2	29.4	19.6	15.8
25.0	55.0	15.8	8.7	18.8

YCUL0066EB				
% DISPL.	AMBIENT DEG F	TONS	COMPR kW	EER
100.0	95.0	61.3	65.1	10.4
75.0	83.8	49.9	40.9	12.9
50.0	69.7	35.4	22.7	16.7
25.0	55.0	19.1	9.5	21.0

YCUL0080EB				
% DISPL.	AMBIENT DEG F	TONS	COMPR kW	EER
100.0	95.0	74.9	84.0	9.9
83.3	88.1	66.2	62.3	11.5
66.7	80.4	56.7	43.2	13.6
50.0	69.7	43.3	30.9	15.1
33.3	60.1	31.3	17.4	18.0
16.7	55.0	16.0	8.5	18.8

YCUL0090EB				
% DISPL.	AMBIENT DEG F	TONS	COMPR kW	EER
100.0	95.0	88.5	103.5	9.6
83.3	88.2	78.4	76.2	11.3
66.7	80.6	67.3	51.9	13.8
50.0	69.5	50.9	37.5	14.9
33.3	60.3	37.3	19.1	19.9
16.7	55.0	19.1	8.9	21.6

YCUL0096EB

% DISPL.	AMBIENT DEG F	TONS	COMPR kW	EER
100.0	95.0	87.2	90.4	10.3
77.8	84.5	71.9	61.3	12.3
50.0	68.7	49.0	34.5	15.4
27.8	55.0	28.2	16.2	18.9

YCUL0106EB

% DISPL.	AMBIENT DEG F	TONS	COMPR kW	EER
100.0	95.0	104.2	116.0	9.9
81.8	87.5	91.2	82.8	11.7
59.1	76.2	71.5	50.9	14.3
40.9	64.0	50.3	32.0	17.0
18.2	55.0	24.1	12.7	19.9

YCUL0130EB

% DISPL.	AMBIENT DEG F	TONS	COMPR kW	EER
100.0	95.0	128.0	140.4	9.9
85.2	88.5	114.2	108.6	11.1
66.7	78.3	92.5	79.3	12.8
51.9	69.8	74.3	55.6	14.6
33.3	58.9	51.1	30.2	18.1
18.5	55.0	28.1	15.8	19.1

YCUL0100EB

% DISPL.	AMBIENT DEG F	TONS	COMPR kW	EER
100.0	95.0	94.2	99.5	10.2
75.0	83.5	76.1	64.3	12.5
50.0	68.5	52.6	38.2	15.1
25.0	55.0	28.2	16.2	18.9

YCUL0120EB

% DISPL.	AMBIENT DEG F	TONS	COMPR kW	EER
100.0	95.0	117.6	125.8	10.1
83.3	88.0	103.9	94.1	11.5
66.7	78.6	85.4	70.3	13.2
50.0	69.3	67.2	47.1	15.4
33.3	58.9	46.9	26.9	18.4
16.7	55.0	23.9	12.8	19.6

Part Load Ratings - HFC-407C (SI Units)

YCUL0016EB				
% DISPL.	AMBIENT DEG F	TONS	COMPR kW	EER
100.0	35.0	51.1	14.9	2.89
50.0	21.2	29.9	5.1	4.57

YCUL0030EB				
% DISPL.	AMBIENT DEG F	TONS	COMPR kW	EER
100.0	35.0	88.4	26.9	2.98
50.0	21.2	51.7	9.6	4.71

YCUL0040EB				
% DISPL.	AMBIENT DEG F	TONS	COMPR kW	EER
100.0	35.0	128.8	42.3	2.86
66.7	27.1	98.1	21.6	4.02
33.3	15.8	54.5	8.6	5.45

YCUL0050EB				
% DISPL.	AMBIENT DEG F	TONS	COMPR kW	EER
100.0	35.0	160.0	49.1	2.93
78.2	29.4	133.1	33.1	3.44
50.0	21.1	93.4	17.2	4.66
28.2	13.1	54.9	8.8	5.38

YCUL0060EB				
% DISPL.	AMBIENT DEG F	TONS	COMPR kW	EER
100.0	35.0	193.1	62.7	2.83
76.5	29.5	161.3	42.1	3.38
50.0	21.2	113.0	22.0	4.56
26.5	13.1	66.4	10.2	5.74

YCUL0076EB				
% DISPL.	AMBIENT DEG F	TONS	COMPR kW	EER
100.0	35.0	234.0	76.8	2.80
85.5	31.5	209.4	59.2	3.17
66.7	27.0	177.7	39.0	3.88
52.2	21.5	139.1	29.5	4.23
33.3	15.8	99.1	15.0	5.39
18.8	12.8	55.7	8.5	5.48

YCUL0086EB				
% DISPL.	AMBIENT DEG F	TONS	COMPR kW	EER
100.0	35.0	287.6	93.4	2.87
84.3	31.5	257.6	71.9	3.27
66.7	26.9	218.1	47.4	4.03
51.0	21.3	169.2	36.5	4.25
33.3	15.7	120.9	18.2	5.60
17.7	12.8	68.0	9.0	6.35

YCUL0026EB				
% DISPL.	AMBIENT DEG F	TONS	COMPR kW	EER
100.0	35.0	70.7	21.8	2.88
50.0	21.3	41.5	7.5	4.68

YCUL0036EB				
% DISPL.	AMBIENT DEG F	TONS	COMPR kW	EER
100.0	35.0	108.0	32.8	3.04
50.0	21.0	62.5	11.4	4.89

YCUL0046EB				
% DISPL.	AMBIENT DEG F	TONS	COMPR kW	EER
100.0	35.0	144.0	41.4	3.07
75.0	28.6	116.5	26.3	3.65
50.0	21.0	83.7	14.3	4.90
25.0	12.8	44.9	6.0	6.05

YCUL0056EB				
% DISPL.	AMBIENT DEG F	TONS	COMPR kW	EER
100.0	35.0	176.5	55.0	2.91
75.0	28.9	144.3	34.8	3.57
50.0	21.2	103.4	19.6	4.62
25.0	12.8	55.6	8.7	5.51

YCUL0066EB				
% DISPL.	AMBIENT DEG F	TONS	COMPR kW	EER
100.0	35.0	215.7	65.1	3.05
75.0	28.8	175.5	40.9	3.77
50.0	20.9	124.6	22.7	4.88
25.0	12.8	67.0	9.5	6.16

YCUL0080EB				
% DISPL.	AMBIENT DEG F	TONS	COMPR kW	EER
100.0	35.0	263.3	84.0	2.90
83.3	31.2	233.0	62.3	3.37
66.7	26.9	199.2	43.2	3.98
50.0	21.0	152.3	30.9	4.44
33.3	15.6	110.2	17.4	5.29
16.7	12.8	56.3	8.5	5.51

YCUL0090EB				
% DISPL.	AMBIENT DEG F	TONS	COMPR kW	EER
100.0	35.0	311.2	103.5	2.82
83.3	31.2	275.9	76.2	3.32
66.7	27.0	236.5	51.9	4.03
50.0	20.8	179.1	37.5	4.38
33.3	15.7	131.2	19.1	5.83
16.7	12.8	67.3	8.9	6.33

YCUL0096EB

% DISPL.	AMBIENT DEG C	KW	COMPR kW	COP
100.0	35.0	306.8	90.4	3.03
77.8	29.2	253.0	61.3	3.60
50.0	20.4	172.4	34.5	4.52
27.8	12.8	99.3	16.2	5.53

YCUL0106EB

% DISPL.	AMBIENT DEG C	KW	COMPR kW	COP
100.0	35.0	366.6	116.0	2.89
81.8	30.8	320.7	82.8	3.43
59.1	24.5	251.5	50.9	4.20
40.9	17.8	176.9	32.0	4.97
18.2	12.8	84.6	12.7	5.84

YCUL0130EB

% DISPL.	AMBIENT DEG C	KW	COMPR kW	COP
100.0	35.0	450.3	140.4	2.91
85.2	31.4	401.5	108.6	3.26
66.7	25.7	325.3	79.3	3.76
51.9	21.0	261.4	55.6	4.28
33.3	15.0	179.6	30.2	5.32
18.5	12.8	98.7	15.8	5.60

YCUL0100EB

% DISPL.	AMBIENT DEG C	KW	COMPR kW	COP
100.0	35.0	331.2	99.5	3.00
75.0	28.6	267.6	64.3	3.65
50.0	20.3	185.1	38.2	4.43
25.0	12.8	99.3	16.2	5.53

YCUL0120EB

% DISPL.	AMBIENT DEG C	KW	COMPR kW	COP
100.0	35.0	413.7	125.8	2.95
83.3	31.1	365.3	94.1	3.37
66.7	25.9	300.3	70.3	3.87
50.0	20.7	236.4	47.1	4.50
33.3	15.0	165.1	26.9	5.40
16.7	12.8	84.0	12.8	5.76

Physical Data - (English Units)

	Model Number YCUL								
	0016	0026	0030	0036	0040	0046	0050	0056	0060
General Unit Data									
Nominal Tons, R-22	15.2	20.8	25.9	31.2	37.7	42.3	46.9	51.7	56.2
Nominal Tons, R-407C	14.5	20.1	25.1	30.7	36.6	40.9	45.5	50.2	54.9
Number of Refrigerant Circuits	1	1	1	1	1	2	2	2	2
Refrigerant Charge, Operating									
R-22, ckt1 / ckt2, lbs	25.0	29.6	45.2	50.7	53.8	35.1/35.1	42.1/35.1	42.1/42.1	46.8/42.1
R-407C, ckt1 / ckt2, lbs	24.1	28.5	43.6	48.9	51.9	33.8/33.8	40.6/33.8	40.6/40.6	45.1/40.6
Pumpdown Capacity									
R-22, ckt1 / ckt2, lbs	43.2	43.2	60.5	90.7	90.7	58.4/58.4	58.4/58.4	58.4/58.4	58.4/58.4
R-407C, ckt1 / ckt2, lbs	41.6	41.6	58.3	87.4	87.4	56.5/56.5	56.5/56.5	56.5/56.5	56.5/56.5
Oil Charge, ckt1 / ckt2, gallons	2.2	2.2	2.2	2.2	3.3	2.2/2.2	2.2/2.2	2.2/2.2	2.2/2.2
Operating / Shipping Weight									
Aluminum Fin Coils, lbs	2051	2058	2401	2445	2788	3947	4000	4057	4114
Copper Fin Coils, lbs	2201	2208	2551	2595	2938	4247	4300	4357	4414
Compressors, scroll type									
Compressors per circuit	2	2	2	2	3	2	2	2	2
Compressors per unit	2	2	2	2	3	4	4	4	4
Nominal Tons per compressor	7.5	10	13	15	13	10/10	13/10	13/13	15/13
Condenser									
Total Face Area ft ²	47.2	47.2	66.1	66.1	66.1	128.0	128.0	128.0	128.0
Number of Rows	2	2	2	3	3	2	2	2	2
Fins per Inch	13	13	13	13	13	13	13	13	13
Condenser Fans									
Number of Fans total	2	2	2	2	2	4	4	4	4
Fan hp/kw	2 / 1.4	2 / 1.4	2 / 1.4	2 / 1.4	2 / 1.4	2 / 1.4	2 / 1.4	2 / 1.4	2 / 1.4
Fan RPM	1140	1140	1140	1140	1140	1140	1140	1140	1140
Number of Blades	3	3	3	3	3	3	3	3	3
Total Chiller CFM	16257	16257	23500	23500	23500	47360	47360	47360	47360

Notes:

1. Pump Down Capacity is based on 100°F (37.8°C) liquid R22 and 80% of condenser volume.
2. Operating Refrigerant Charge is for Condensing Unit only, does not include refrigerant lines and evaporator coil.

Model Number YCUL									
0066	0076	0080	0086	0090	0096	0100	0106	0120	0130
62.2	68.9	77.0	83.6	90.1	90.8	98.4	108.9	122.1	133.6
61.3	66.5	74.9	81.8	88.5	87.2	94.2	104.2	117.6	128.0
2	2	2	2	2	2	2	2	2	2
56.2/56.2	58.5/48.4	64.7/64.7	71.8/64.7	78.0/78.0	86.3/73.2	86.3/86.3	104.3/86.3	106.9/106.9	126.0/106.9
54.2/54.2	56.4/46.7	62.4/62.4	69.2/62.4	75.2/75.2	83.2/70.5	83.2/83.2	100.5/83.2	103.0/103.0	121.4/103.0
87.6/87.6	68.1/68.1	102.2/102.2	102.2/102.2	102.2/102.2	150.0/150.0	150.0/150.0	170.2/170.2	194.8/194.8	194.8/194.8
84.4/84.4	65.6/65.6	98.5/98.5	98.5/98.5	98.5/98.5	145.8/145.8	145.8/145.8	165.5/165.5	189.4/189.4	189.4/189.4
2.2/2.2	3.3/3.3	3.3/3.3	3.3/3.3	3.3/3.3	4.2/4.2	4.2/4.2	6.3/4.2	6.3/6.3	6.3/6.3
4175	4842	5004	5150	5240	5532	5646	6362	7744	7770
4475	5142	5384	5530	5620	6394	6474	7305	9012	9034
2	3	3	3	3	2	2	3/2	3	3
4	6	6	6	6	4	4	5	6	6
15/15	13/10	13/13	15/13	15/15	25/20	25/25	20/25	20/20	25/20
128.0	149.3	149.3	149.3	149.3	168.0	168.0	192.0	222.0	222.0
3	2	3	3	3	3	3	3	3	3
13	13	13	13	13	13	13	13	13	13
4	4	4	4	4	6	6	6	8	8
2 / 1.4	2 / 1.4	2 / 1.7	2 / 1.7	2 / 1.7	2 / 1.8	2 / 1.8	2 / 1.8	2 / 1.8	2 / 1.8
1140	1140	1140	1140	1140	1140	1140	1140	1140	1140
3	3	3	3	3	3	3	3	3	3
47360	46080	55253	55253	54550	79800	79800	85800	106400	106400

Physical Data - (SI Units)

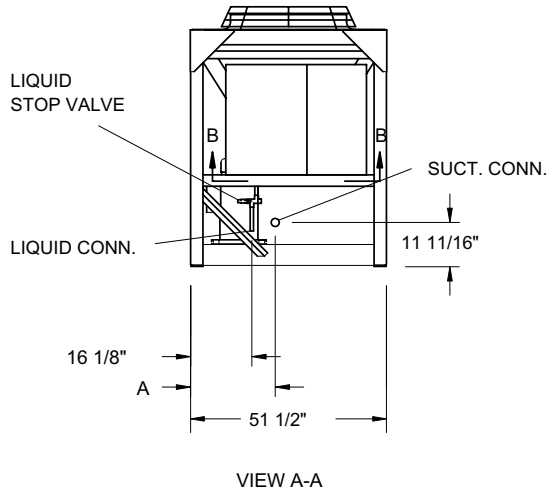
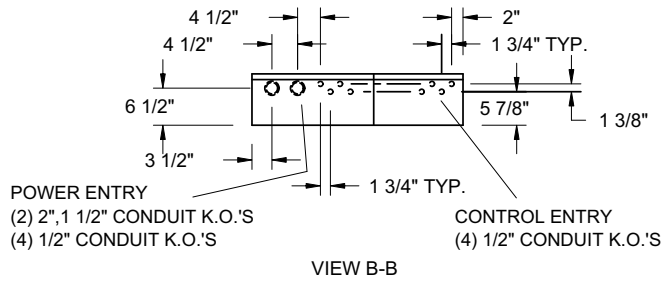
	Model Number YCUL								
	0016	0026	0030	0036	0040	0046	0050	0056	0060
General Unit Data									
Nominal kW, R-22	53.5	73.2	91.1	109.7	132.6	148.8	164.9	181.8	197.7
Nominal kW, R-407C	51.0	70.7	88.3	108.0	128.7	143.8	160.0	176.6	193.1
Number of Refrigerant Circuits	1	1	1	1	1	2	2	2	2
Refrigerant Charge, Operating									
R-22, ckt1 / ckt2, kg	11.7	13.3	18.7	23.4	24.2	16.4/16.4	19.5/16.4	19.5/19.5	28.9/19.5
R-407C, ckt1 / ckt2, kg	11.3	12.8	18.0	22.6	23.3	15.8/15.8	18.8/15.8	18.8/18.8	27.9/18.8
Pumpdown Capacity									
R-22, ckt1 / ckt2, lbs	19.6	19.6	27.4	41.1	41.1	26.5/26.5	26.5/26.5	26.5/26.5	26.5/26.5
R-407C, ckt1 / ckt2, lbs	18.9	18.9	26.4	39.6	39.6	25.5/25.5	25.5/25.5	25.5/25.5	25.5/25.5
Oil Charge, ckt1 / ckt2, liters	8.3	8.3	8.3	8.3	12.5	8.3/8.3	8.3/8.3	8.3/8.3	8.3/8.3
Shipping Weight									
Aluminum Fin Coils, kg	930	934	1089	1109	1265	1790	1814	1840	1866
Copper Fin Coils, kg	998	1002	1157	1177	1333	1926	1950	1976	2002
Compressors, scroll type									
Compressors per circuit	2	2	2	2	3	2	2	2	2
Compressors per unit	2	2	2	2	3	4	4	4	4
Nominal kWo per compressor	26	35	46	53	46	35/35	46/35	46/46	53/46
Condenser									
Total Face Area meters ²	4	4	6	6	6	12	12	12	12
Number of Rows	2	2	2	3	3	2	2	2	2
Fins per m	512	512	512	512	512	512	512	512	512
Condenser Fans									
Number of Fans total	2	2	2	2	2	4	4	4	4
Fan hp/kw	2 / 1.4	2 / 1.4	2 / 1.4	2 / 1.4	2 / 1.4	2 / 1.4	2 / 1.4	2 / 1.4	2 / 1.4
Fan RPM	1140	1140	1140	1140	1140	1140	1140	1140	1140
Number of Blades	3	3	3	3	3	3	3	3	3
Total Chiller Airflow l/s	7672	7672	11091	11091	11091	22351	22351	22351	22351

Notes:

1. Pump Down Capacity is based on 100°F (37.8°C) liquid R22 and 80% of condenser volume.
2. Operating Refrigerant Charge is for Condensing Unit only, does not include refrigerant lines and evaporator coil.

Model Number YCUL									
0066	0076	0080	0086	0090	0096	0100	0106	0120	0130
218.8	242.3	270.8	294.0	316.9	319.3	346.1	383.0	429.4	469.9
215.6	233.9	263.4	287.7	311.3	306.7	331.3	366.5	413.6	450.2
2	2	2	2	2	2	2	2	2	2
25.7/25.7	26.5/21.8	35.9/35.9	35.9/35.9	35.9/35.9	39.1/33.2	39.1/39.1	47.3/39.1	48.5/48.5	57.2/48.5
24.8/24.8	25.5/21.0	34.6/34.6	34.6/34.6	34.6/34.6	37.7/32.0	37.7/37.7	45.6/37.7	46.7/46.7	55.1/46.7
39.7/39.7	30.9/30.9	46.4/46.4	46.4/46.4	46.4/46.4	68.0/68.0	68.0/68.0	77.2/77.2	88.4/88.4	88.4/88.4
38.2/38.2	29.8/29.8	44.7/44.7	44.7/44.7	44.7/44.7	66.1/66.1	66.1/66.1	75.1/75.1	85.9/85.9	85.9/85.9
8.3/8.3	12.5/12.5	12.5/12.5	12.5/12.5	12.5/12.5	16/16	16/16	24/16	24/24	24/24
1894	2196	2270	2336	2377	2509	2561	2886	3513	3524
2030	2332	2442	2508	2549	2900	2937	3314	4088	4098
2	3	3	3	3	2	2	3/2	3	3
4	6	6	6	6	4	4	5	6	6
53/53	46/35	46/46	53/46	53/53	88/70	88/88	70/88	70/70	88/70
12	14	14	14	14	16.0	16.0	18.0	21.0	21.0
3	3	2	3	3	3	3	3	3	3
512	512	512	512	512	512	512	512	512	512
4	4	4	4	4	6	6	6	8	8
2 / 1.4	2 / 1.7	2 / 1.7	2 / 1.7	2 / 1.7	2 / 1.8	2 / 1.8	2 / 1.8	2 / 1.8	2 / 1.8
1140	1140	1140	1140	1140	1140	1140	1140	1140	1140
3	3	3	3	3	3	3	3	3	3
21747	26076	26076	25744	25371	37660	37660	39784	50214	50214

Dimensions - YCUL0016 - YCUL0026 (English)

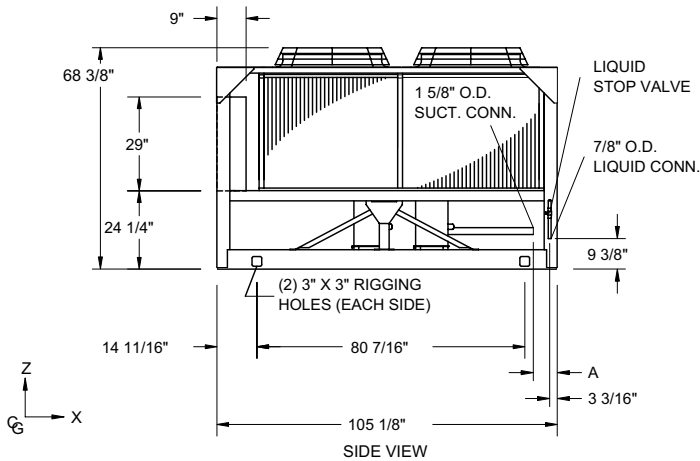
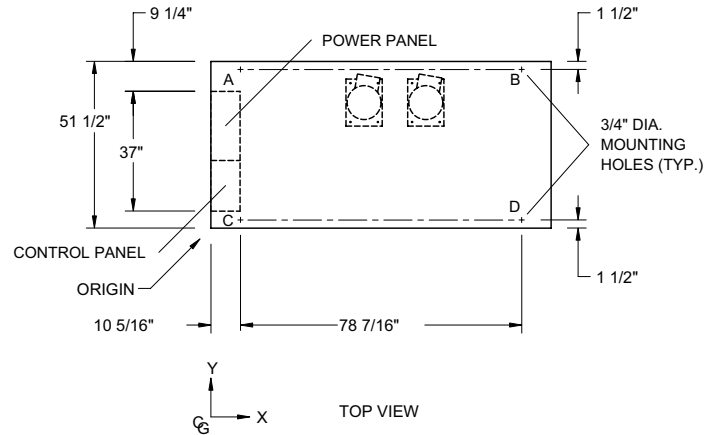


LD04417

MODEL YCUL	A
0016	22 5/16"
0026	22 3/16"

NOTE:

Placement on a level surface of free of obstructions (including snow, for winter operation) or air circulation ensures rated performance, reliable operation, and ease of maintenance. Site restrictions may compromise minimum clearances indicated below, resulting in unpredictable airflow patterns and possible diminished performance. YORK's unit controls will optimize operation without nuisance high-pressure safety cutouts; however, the system designer must consider potential performance degradation. Access to the unit control center assumes the unit is no higher than on spring isolators. Recommended minimum clearances: Side to wall – 6'; rear to wall – 6'; control panel to end wall – 4'0; top – no obstructions allowed; distance between adjacent units – 10'. No more than one adjacent wall may be higher than the unit.



MODEL YCUL	A
0016	7 3/8"
0026	5 1/4"

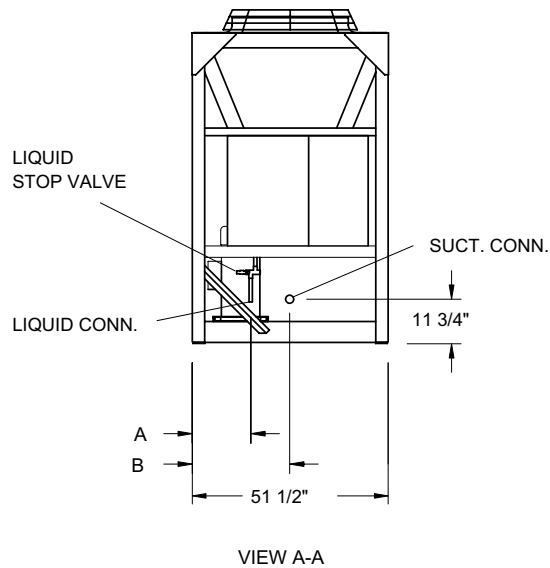
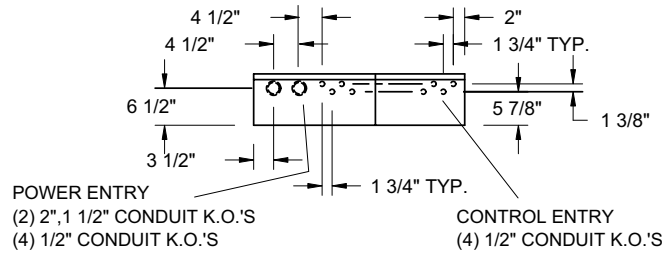
ALUMINUM COIL

YCUL	Center of Gravity (in.)		
	X	Y	Z
0016	45.5	26.3	31.8
0026	45.5	26.3	31.7

COPPER COIL

YCUL	Center of Gravity (in.)		
	X	Y	Z
0016	44.3	25.4	31.0
0026	44.3	25.3	31.0

Dimensions - YCUL0030 - YCUL0036 (English)

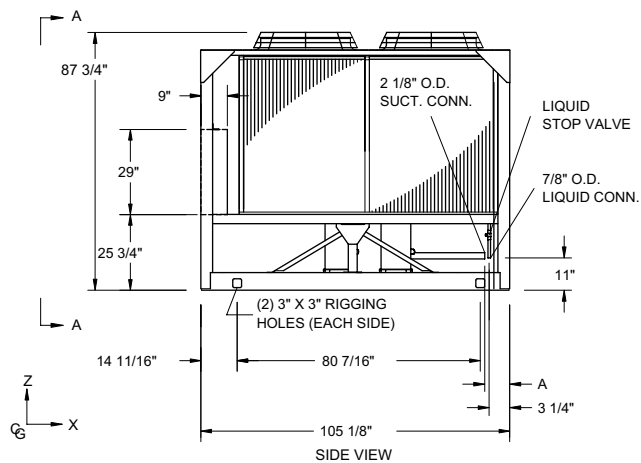
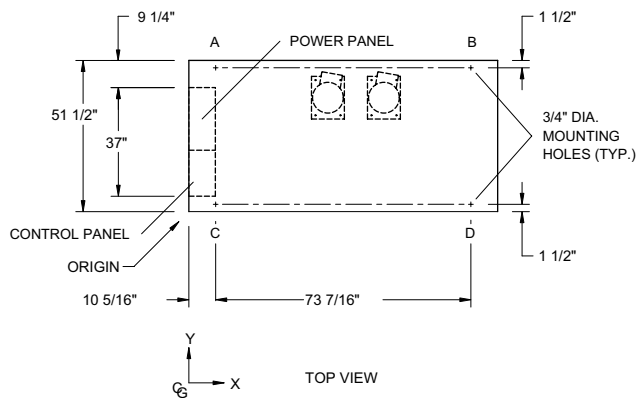


MODEL YCUL	A	B
0030	16 5/16"	28 7/8"
0036	14 1/2"	22 1/4"

LD04421

NOTE:

Placement on a level surface of free of obstructions (including snow, for winter operation) or air circulation ensures rated performance, reliable operation, and ease of maintenance. Site restrictions may compromise minimum clearances indicated below, resulting in unpredictable airflow patterns and possible diminished performance. YORK's unit controls will optimize operation without nuisance high-pressure safety cutouts; however, the system designer must consider potential performance degradation. Access to the unit control center assumes the unit is no higher than on spring isolators. Recommended minimum clearances: Side to wall – 6'; rear to wall – 6'; control panel to end wall – 4'; top – no obstructions allowed; distance between adjacent units – 10'. No more than one adjacent wall may be higher than the unit.



MODEL YCUL	A
0030	5 15/16"
0036	4 3/4"

LD04422

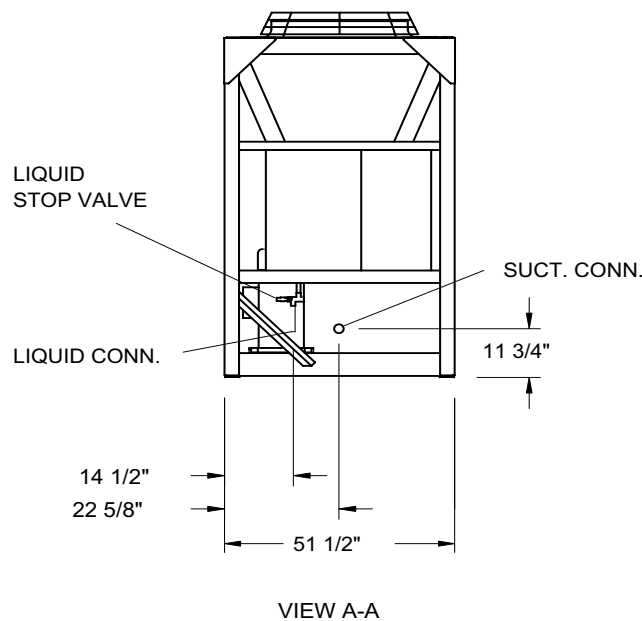
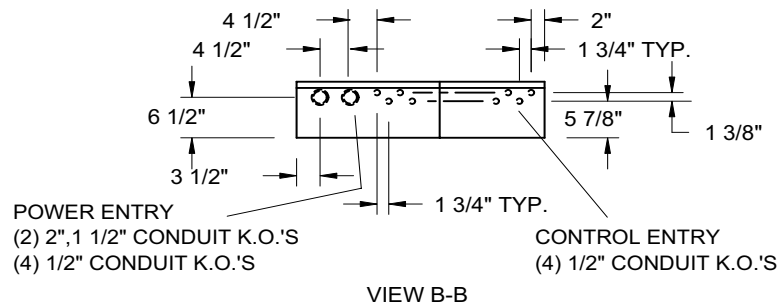
ALUMINUM COIL

YCUL	Center of Gravity (in.)		
	X	Y	Z
0030	44.3	26.4	39.5
0036	44.4	26.6	39.3

COPPER COIL

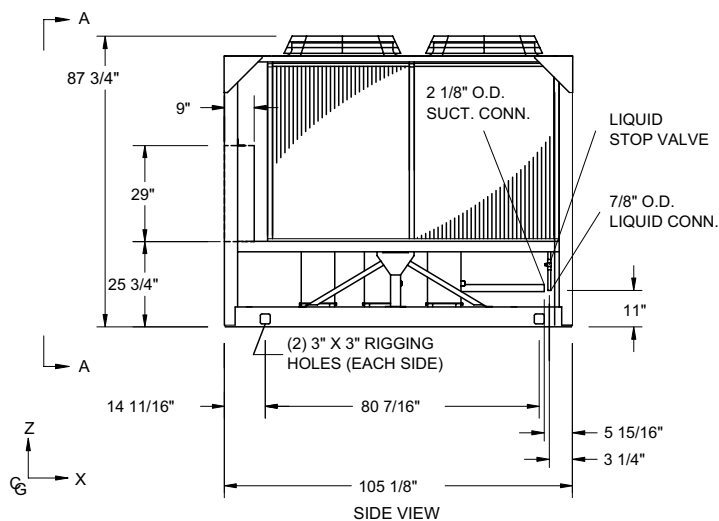
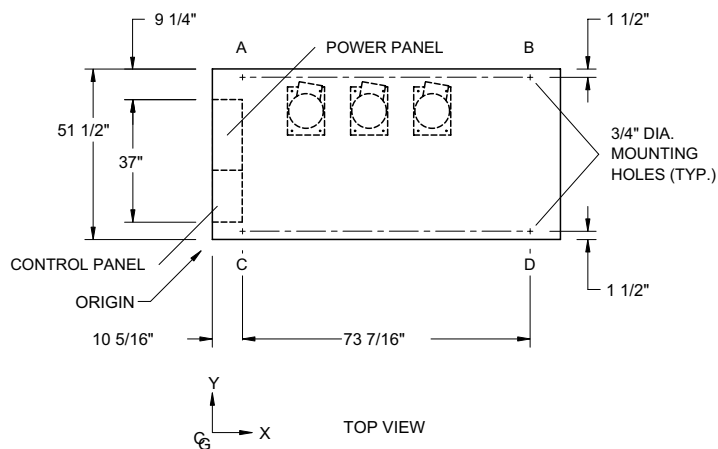
YCUL	Center of Gravity (in.)		
	X	Y	Z
0030	43.4	25.6	38.8
0036	43.4	25.8	38.6

Dimensions - YCUL0040 (English)



NOTE:

Placement on a level surface of free of obstructions (including snow, for winter operation) or air circulation ensures rated performance, reliable operation, and ease of maintenance. Site restrictions may compromise minimum clearances indicated below, resulting in unpredictable airflow patterns and possible diminished performance. YORK's unit controls will optimize operation without nuisance high-pressure safety cutouts; however, the system designer must consider potential performance degradation. Access to the unit control center assumes the unit is no higher than on spring isolators. Recommended minimum clearances: Side to wall – 6'; rear to wall – 6'; control panel to end wall – 4'; top – no obstructions allowed; distance between adjacent units – 10'. No more than one adjacent wall may be higher than the unit.



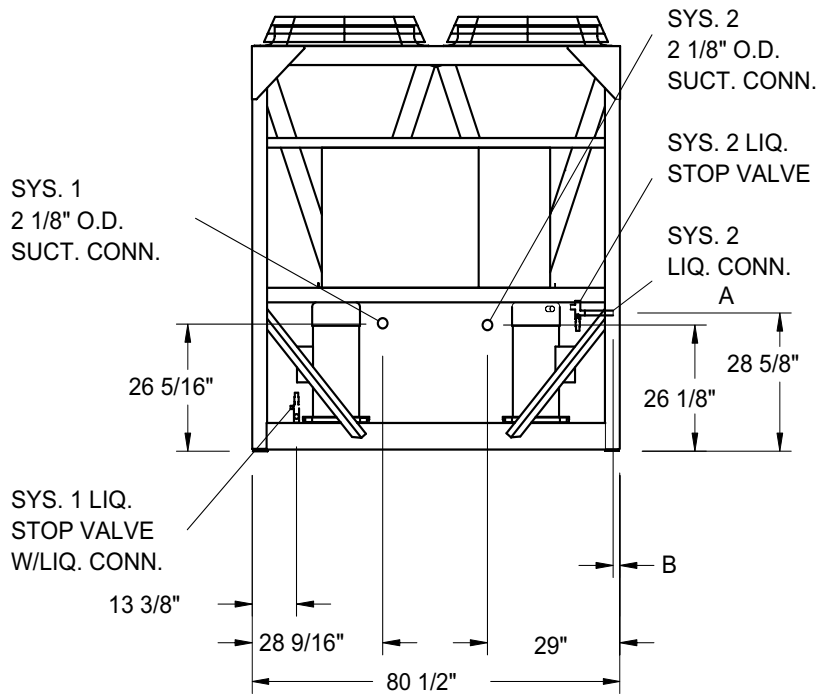
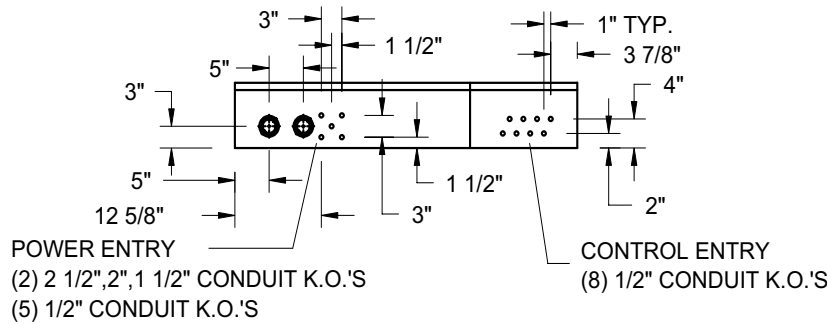
ALUMINUM COIL

YCUL	Center of Gravity (in.)		
	X	Y	Z
0040	44.4	27.6	37.5

COPPER COIL

YCUL	Center of Gravity (in.)		
	X	Y	Z
0040	43.5	26.9	36.9

Dimensions - YCUL0046 - YCUL0066 (English)

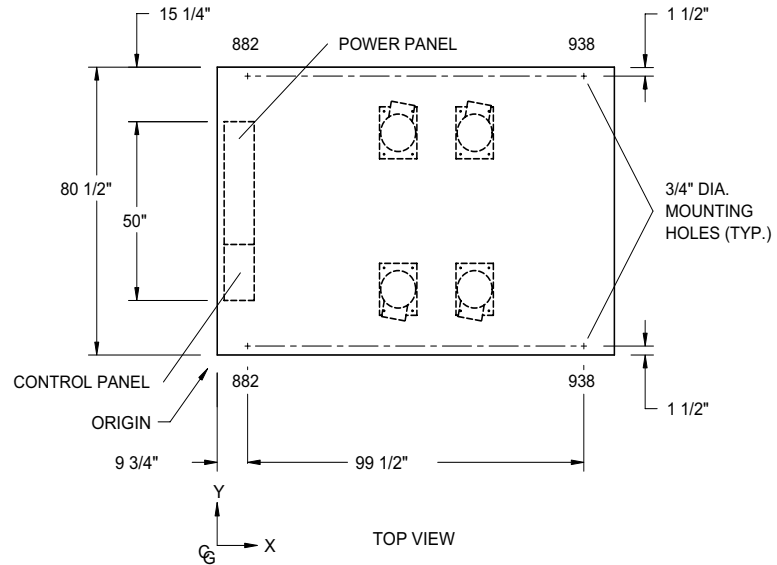


MODEL YCUL	A	B
0046	7/8" OD	1/8"
0050	7/8" OD	1/4"
0056	7/8" OD	1/4"
0060	7/8" OD	1/4"
0066	1 1/8" OD	1/4"

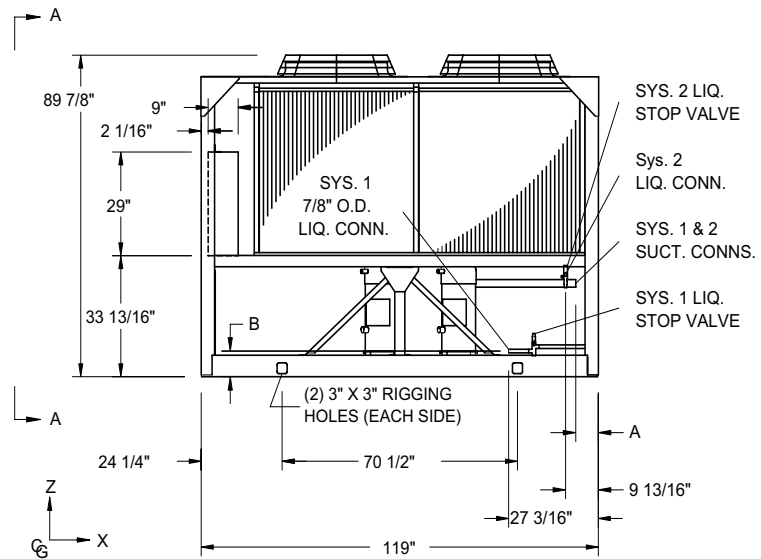
LD04427

NOTE:

Placement on a level surface of free of obstructions (including snow, for winter operation) or air circulation ensures rated performance, reliable operation, and ease of maintenance. Site restrictions may compromise minimum clearances indicated below, resulting in unpredictable airflow patterns and possible diminished performance. YORK's unit controls will optimize operation without nuisance high-pressure safety cutouts; however, the system designer must consider potential performance degradation. Access to the unit control center assumes the unit is no higher than on spring isolators. Recommended minimum clearances: Side to wall – 6"; rear to wall – 6"; control panel to end wall – 4"; top – no obstructions allowed; distance between adjacent units – 10'. No more than one adjacent wall may be higher than the unit.



MODEL YCUL	A	B
0046	6 15/16"	7 3/16"
0050	6 15/16"	7 3/16"
0056	6 15/16"	7 3/16"
0060	6 11/16"	7 3/16"
0066	6 15/16"	5 7/8"



LD04428

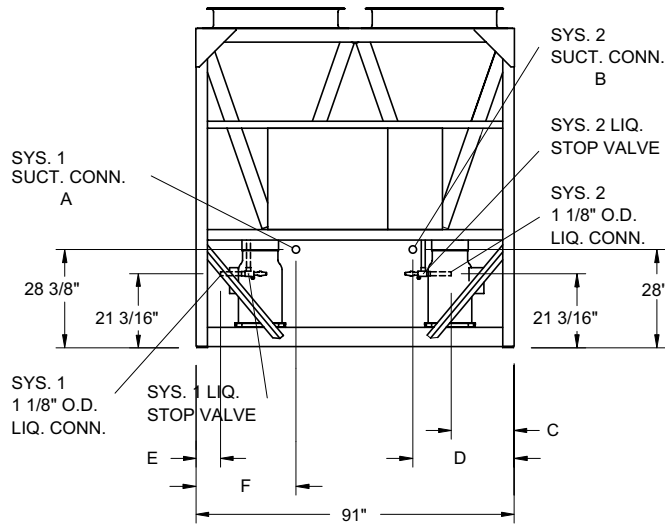
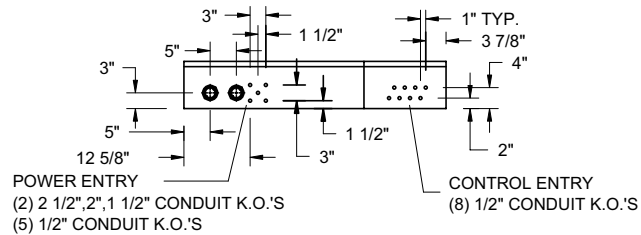
ALUMINUM COIL

YCUL	Center of Gravity (in.)		
	X	Y	Z
0046	59.7	40.2	46.6
0050	59.5	40.5	45.6
0056	59.5	40.2	45.3
0060	59.6	40.4	45.2
0066	59.7	40.2	45.0

COPPER COIL

YCUL	Center of Gravity (in.)		
	X	Y	Z
0046	59.8	40.2	46.8
0050	59.8	40.4	46.4
0056	59.9	40.2	46.1
0060	59.9	40.4	46.0
0066	60.0	40.2	45.9

Dimensions - YCUL0076 - YCUL0090 (English)

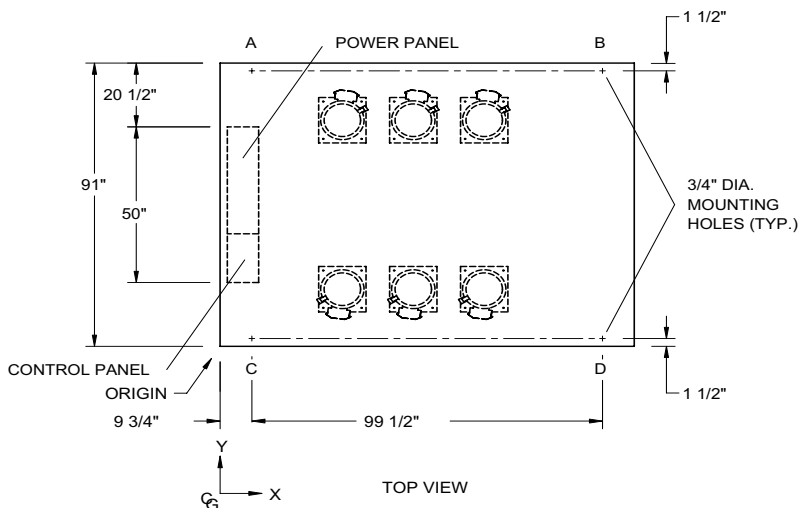


MODEL YCUL	A	B	C	D	E	F
0076	2 1/8" OD	2 1/8" OD	29 3/16"	33 7/8"	6 7/8"	29 3/16"
0080	2 1/8" OD	2 1/8" OD	29 3/16"	33 7/8"	6 7/8"	29 3/16"
0086	2 1/8" OD	2 1/8" OD	29 3/16"	16 15/16"	5 3/16"	28 9/16"
0090	2 5/8" OD	2 5/8" OD	28 9/16"	16 15/16"	5 3/16"	28 9/16"

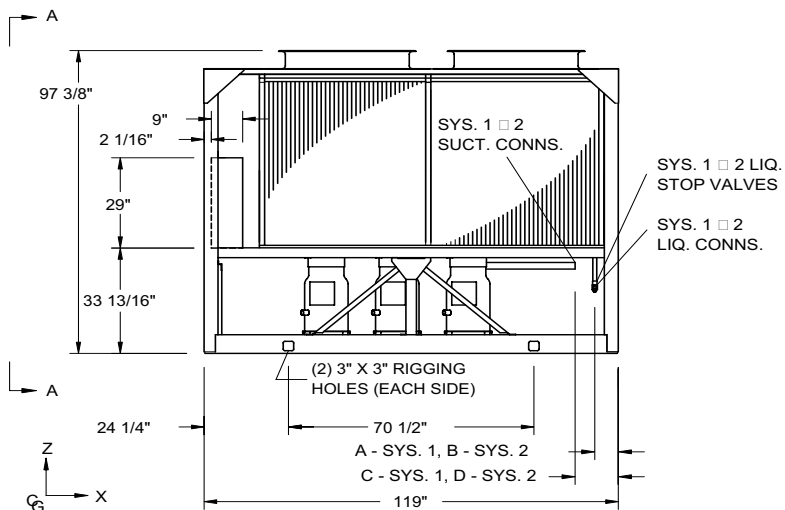
LD04435

NOTE:

Placement on a level surface of free of obstructions (including snow, for winter operation) or air circulation ensures rated performance, reliable operation, and ease of maintenance. Site restrictions may compromise minimum clearances indicated below, resulting in unpredictable airflow patterns and possible diminished performance. YORK's unit controls will optimize operation without nuisance high-pressure safety cutouts; however, the system designer must consider potential performance degradation. Access to the unit control center assumes the unit is no higher than on spring isolators. Recommended minimum clearances: Side to wall - 6'; rear to wall - 6'; control panel to end wall - 4'; top - no obstructions allowed; distance between adjacent units - 10'. No more than one adjacent wall may be higher than the unit.



MODEL YCUL	A	B
0076	3 5/16"	3 3/16"
0080	3 5/16"	3 3/16"
0086	3 3/16"	3 1/4"
0090	3 3/16"	3 1/4"
MODEL YCUL	C	D
0076	7 7/8"	11 9/16"
0080	7 7/8"	11 9/16"
0086	6 13/16"	11 9/16"
0090	10"	14 3/8"



LD04436

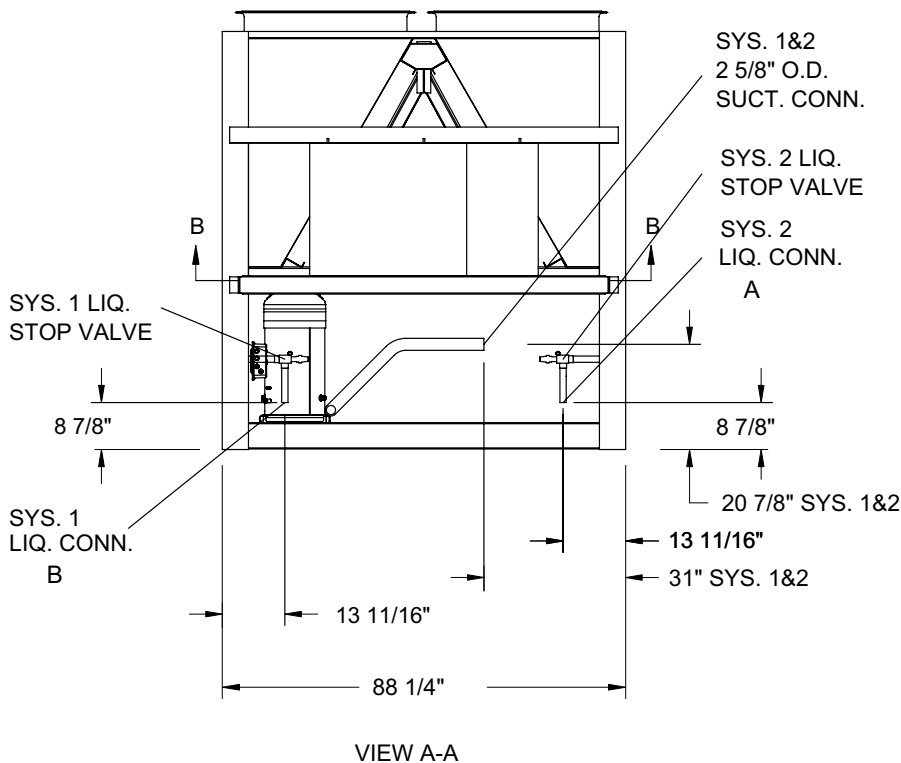
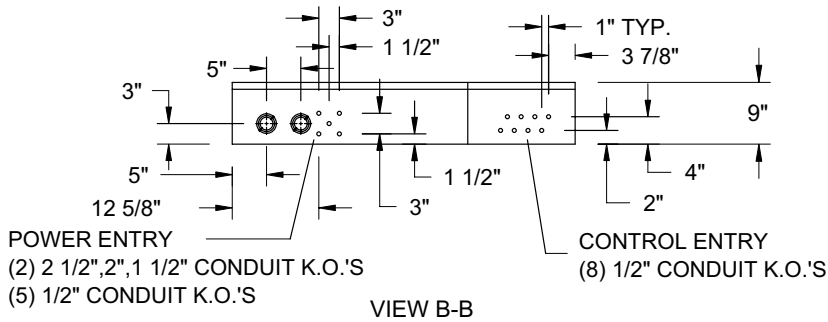
ALUMINUM COIL

YCUL	Center of Gravity (in.)		
	X	Y	Z
0076	57.3	45.9	45.2
0080	57.4	45.5	45.1
0086	57.4	45.8	45.0
0090	57.4	45.5	44.9

COPPER COIL

YCUL	Center of Gravity (in.)		
	X	Y	Z
0076	57.7	45.8	46.2
0080	57.8	45.5	46.3
0086	57.8	45.8	46.2
0090	57.8	45.5	46.0

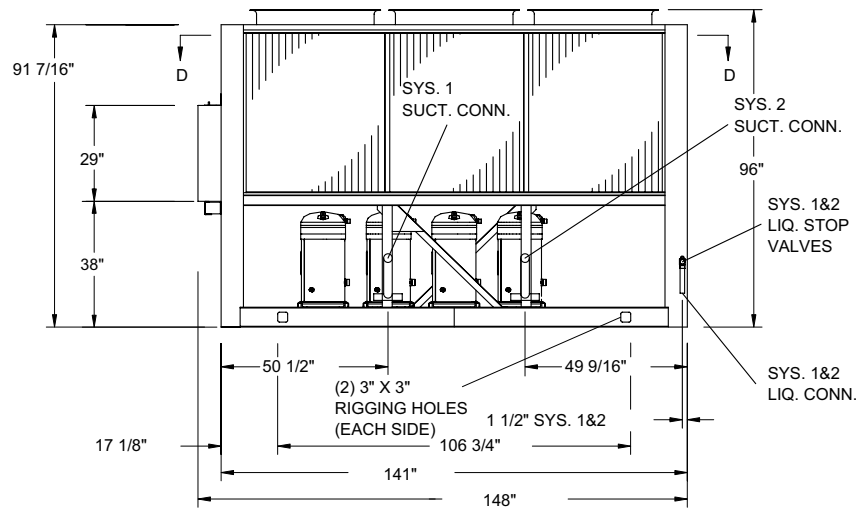
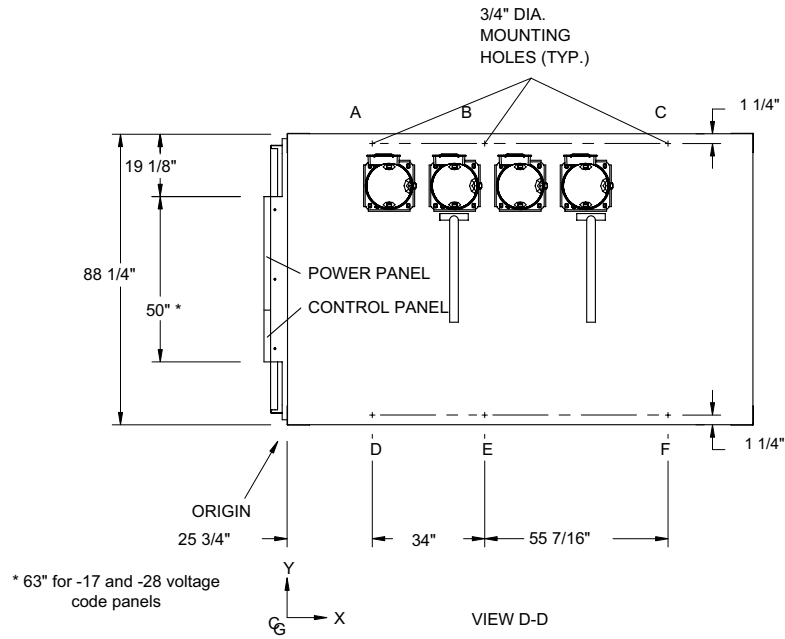
Dimensions - YCUL0096 - YCUL0100 (English)



MODEL YCUL	A	B
0096	1 1/8" OD	1 1/8" OD
0100	1 3/8" OD	1 3/8" OD

NOTE:

Placement on a level surface of free of obstructions (including snow, for winter operation) or air circulation ensures rated performance, reliable operation, and ease of maintenance. Site restrictions may compromise minimum clearances indicated below, resulting in unpredictable airflow patterns and possible diminished performance. YORK's unit controls will optimize operation without nuisance high-pressure safety cutouts; however, the system designer must consider potential performance degradation. Access to the unit control center assumes the unit is no higher than on spring isolators. Recommended minimum clearances: Side to wall – 6'; rear to wall – 6'; control panel to end wall – 4'0; top – no obstructions allowed; distance between adjacent units – 10'. No more than one adjacent wall may be higher than the unit.



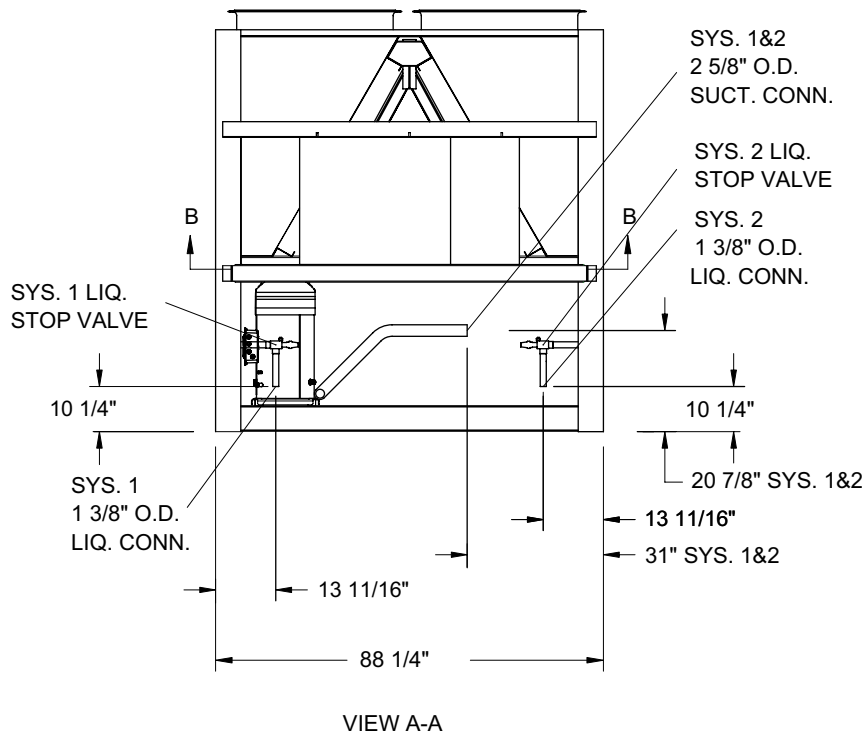
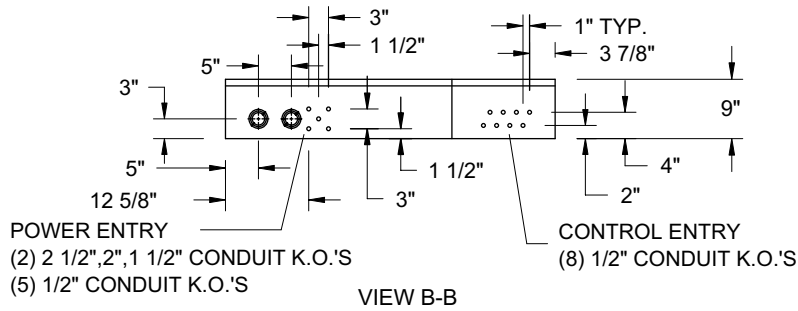
ALUMINUM COIL

COPPER COIL

YCUL	Center of Gravity (in.)		
	X	Y	Z
0096	64.0	50.9	48.4
0100	64.9	50.9	48.1

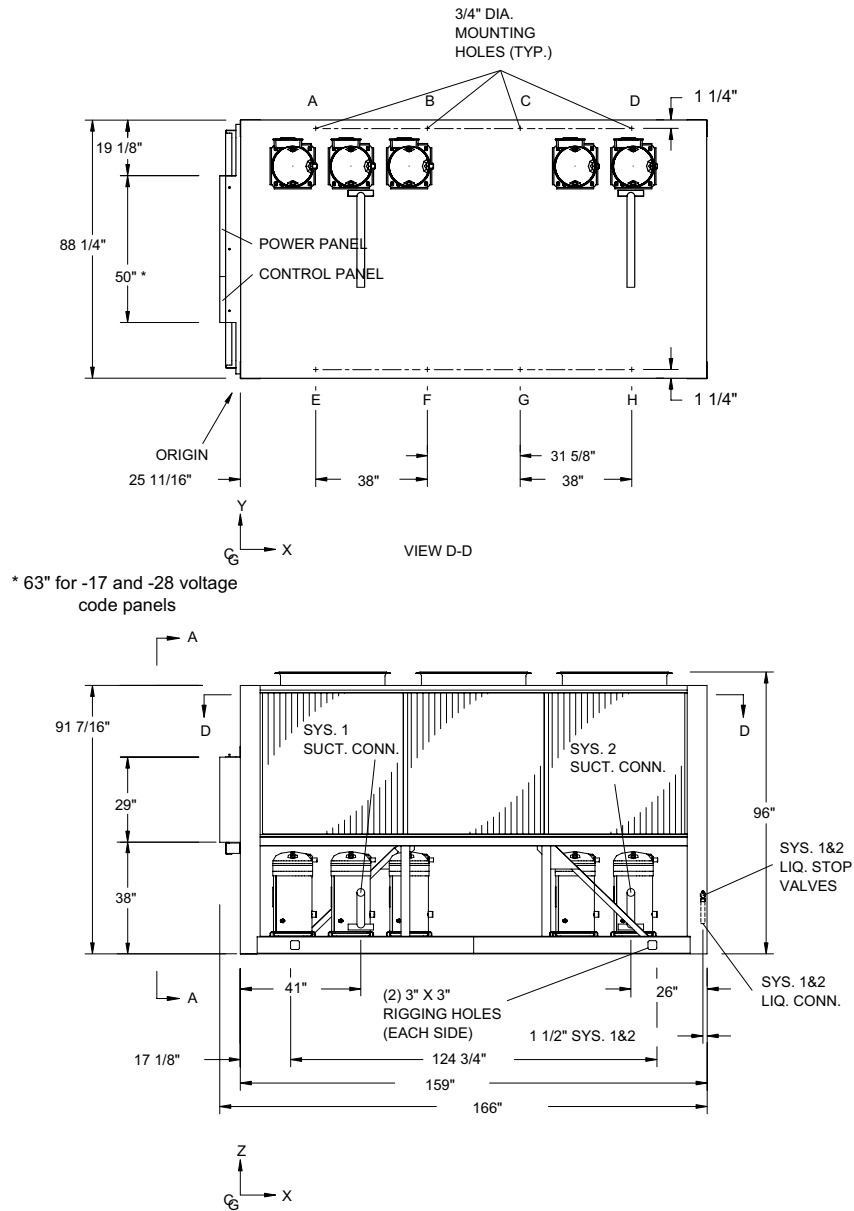
YCUL	Center of Gravity (in.)		
	X	Y	Z
0096	64.8	50.0	50.5
0100	65.6	50.1	50.1

Dimensions - YCUL0106 (English)



NOTE:

Placement on a level surface of free of obstructions (including snow, for winter operation) or air circulation ensures rated performance, reliable operation, and ease of maintenance. Site restrictions may compromise minimum clearances indicated below, resulting in unpredictable airflow patterns and possible diminished performance. YORK's unit controls will optimize operation without nuisance high-pressure safety cutouts; however, the system designer must consider potential performance degradation. Access to the unit control center assumes the unit is no higher than on spring isolators. Recommended minimum clearances: Side to wall - 6"; rear to wall - 6"; control panel to end wall - 4'; top - no obstructions allowed; distance between adjacent units - 10'. No more than one adjacent wall may be higher than the unit.



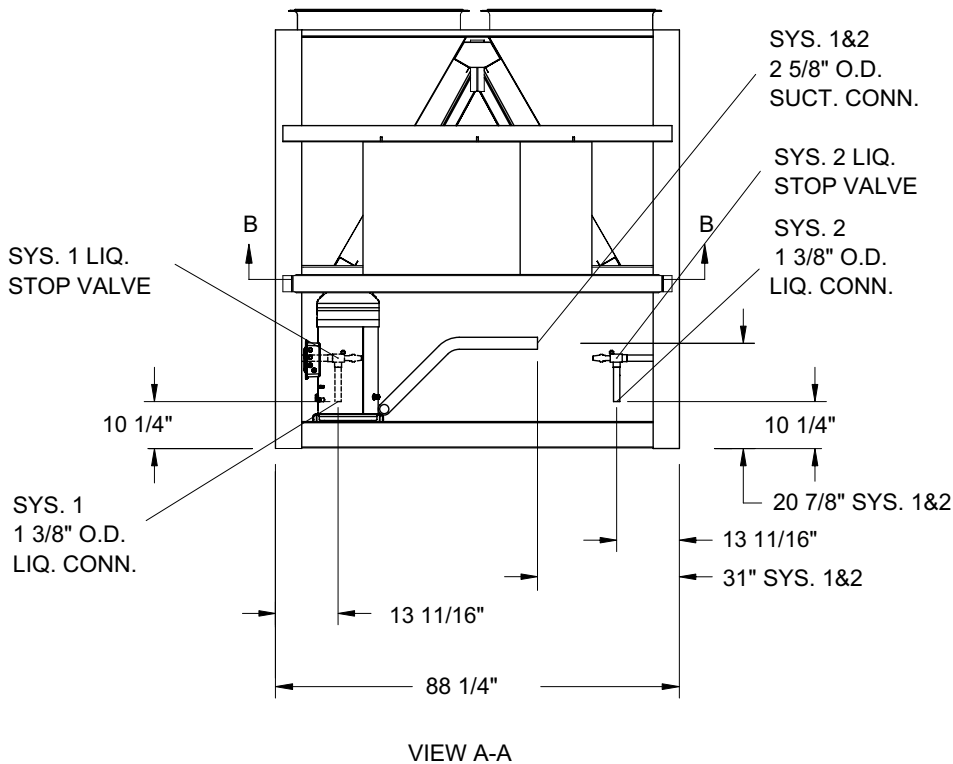
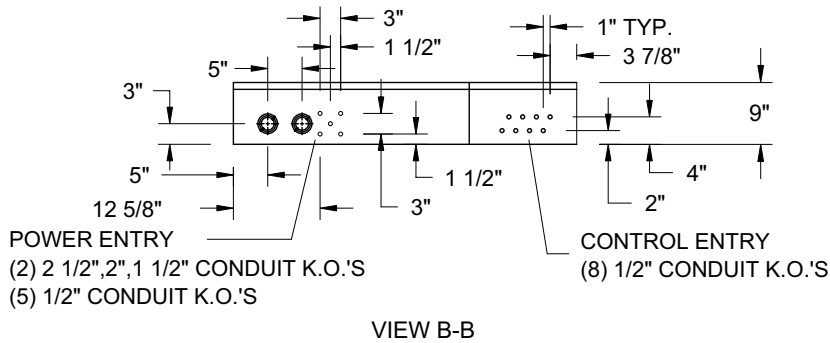
ALUMINUM COIL

COPPER COIL

YCUL	Center of Gravity (in.)		
	X	Y	Z
0106	73.9	51.4	46.7

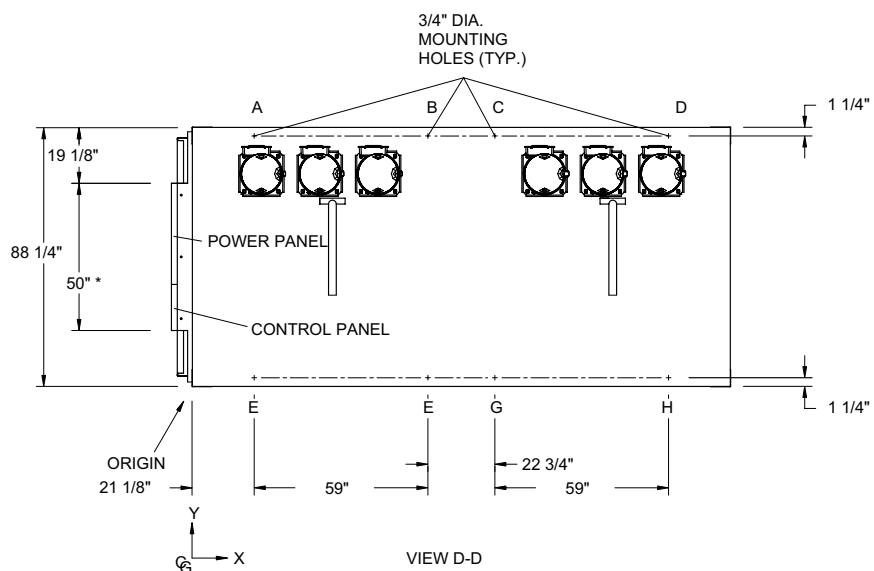
YCUL	Center of Gravity (in.)		
	X	Y	Z
0106	74.6	50.4	48.1

Dimensions - YCUL0120 - YCUL0130 (English)

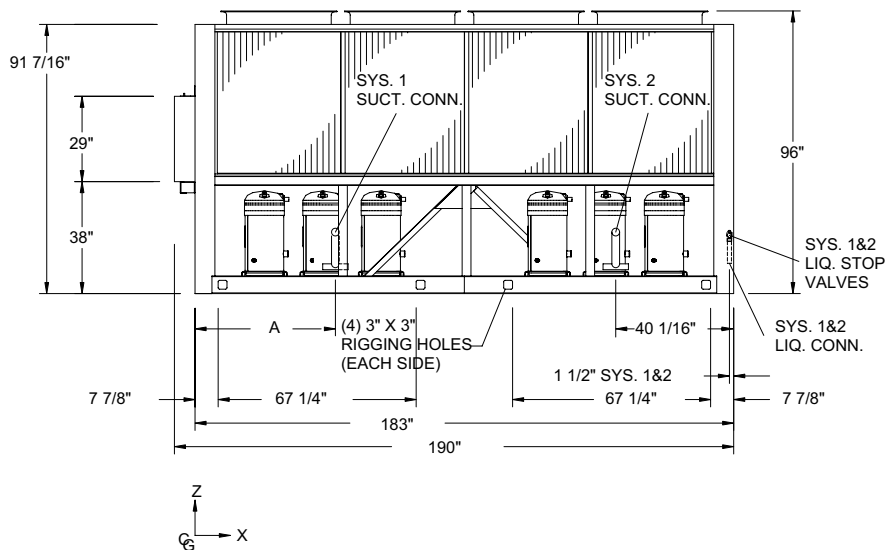


NOTE:

Placement on a level surface of free of obstructions (including snow, for winter operation) or air circulation ensures rated performance, reliable operation, and ease of maintenance. Site restrictions may compromise minimum clearances indicated below, resulting in unpredictable airflow patterns and possible diminished performance. YORK's unit controls will optimize operation without nuisance high-pressure safety cutouts; however, the system designer must consider potential performance degradation. Access to the unit control center assumes the unit is no higher than on spring isolators. Recommended minimum clearances: Side to wall - 6'; rear to wall - 6'; control panel to end wall - 4'; top - no obstructions allowed; distance between adjacent units - 10'. No more than one adjacent wall may be higher than the unit.



* 63" for -17 and -28 voltage code panels



MODEL YCUL	A
0120	46 11/16"
0130	48 5/8"

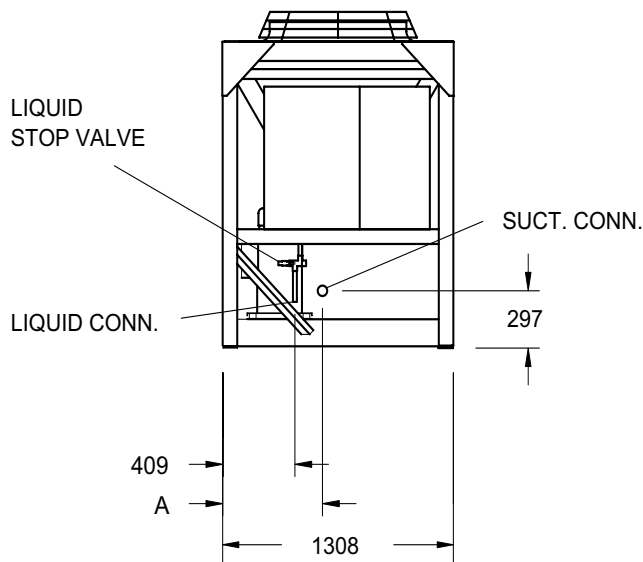
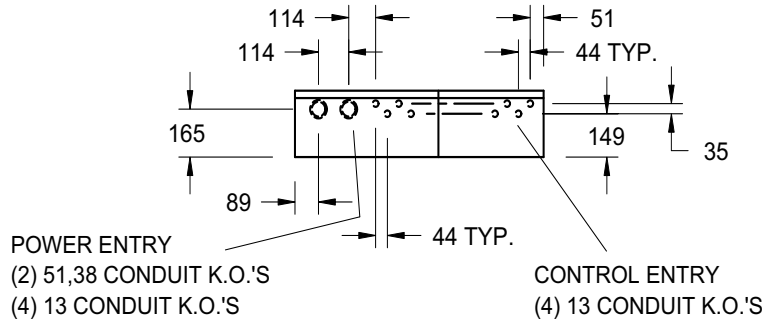
ALUMINUM COIL

COPPER COIL

YCUL	Center of Gravity (in.)		
	X	Y	Z
0120	83.1	50.4	46.3
0130	83.0	50.4	46.3

YCUL	Center of Gravity (in.)		
	X	Y	Z
0120	84.3	49.5	48.1
0130	84.2	49.5	48.1

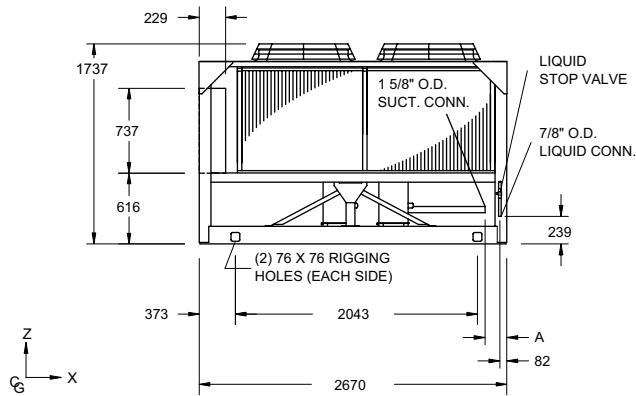
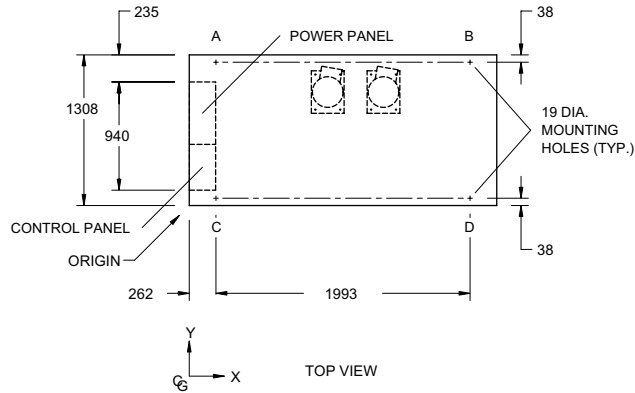
Dimensions - YCUL0016 - YCUL0026 (SI)



MODEL YCUL	A
0016	567
0026	564

NOTE:

Placement on a level surface of free of obstructions (including snow, for winter operation) or air circulation ensures rated performance, reliable operation, and ease of maintenance. Site restrictions may compromise minimum clearances indicated below, resulting in unpredictable airflow patterns and possible diminished performance. YORK's unit controls will optimize operation without nuisance high-pressure safety cutouts; however, the system designer must consider potential performance degradation. Access to the unit control center assumes the unit is no higher than on spring isolators. Recommended minimum clearances: Side to wall - 2m; rear to wall - 2m; control panel to end wall - 1.2m; top - no obstructions allowed; distance between adjacent units - 3m. No more than one adjacent wall may be higher than the unit.



MODEL YCUL	A
0016	187
0026	133

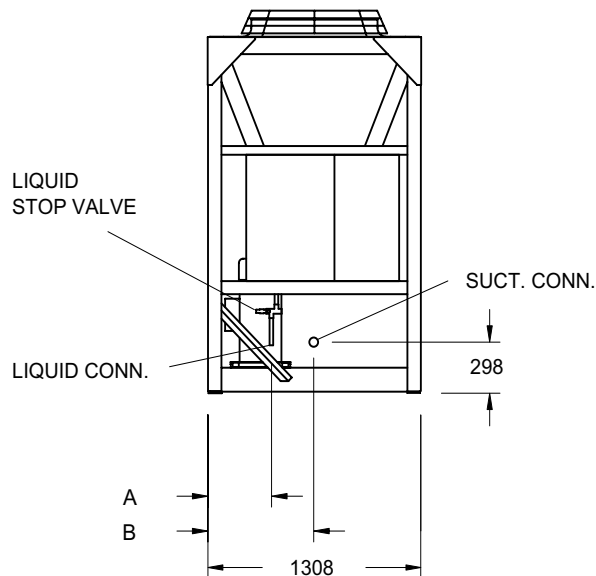
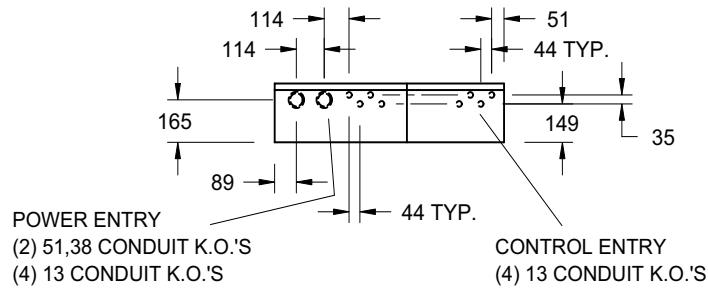
ALUMINUM COIL

COPPER COIL

YCUL	Center of Gravity (mm)		
	X	Y	Z
0016	1155	668	807
0026	1155	667	806

YCUL	Center of Gravity (mm)		
	X	Y	Z
0016	1,125	644	788
0026	1,125	644	788

Dimensions - YCUL0030 - YCUL0036 (SI)

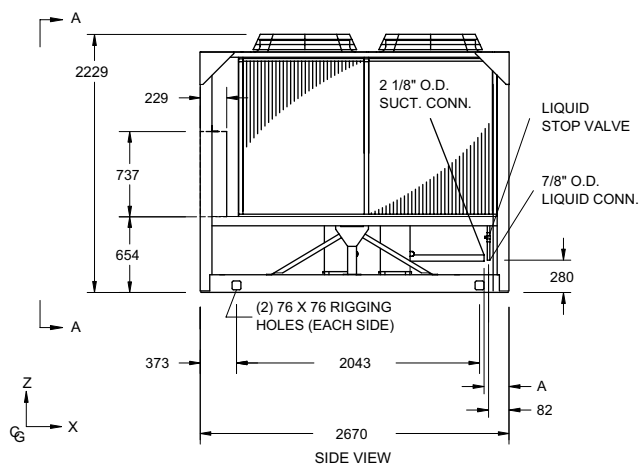
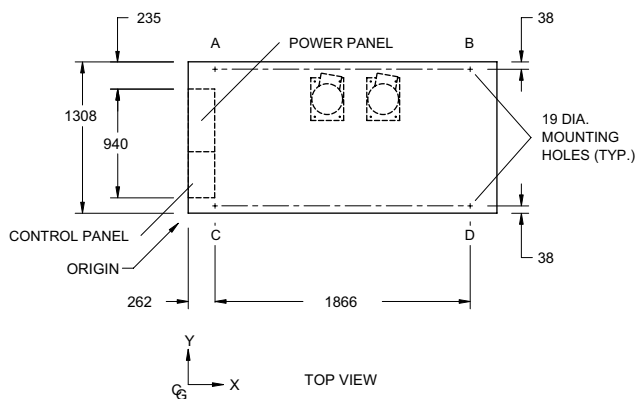


MODEL YCUL	A	B
0030	414	733
0036	368	565

LD04447

NOTE:

Placement on a level surface of free of obstructions (including snow, for winter operation) or air circulation ensures rated performance, reliable operation, and ease of maintenance. Site restrictions may compromise minimum clearances indicated below, resulting in unpredictable airflow patterns and possible diminished performance. YORK's unit controls will optimize operation without nuisance high-pressure safety cutouts; however, the system designer must consider potential performance degradation. Access to the unit control center assumes the unit is no higher than on spring isolators. Recommended minimum clearances: Side to wall - 2m; rear to wall - 2m; control panel to end wall - 1.2m; top - no obstructions allowed; distance between adjacent units - 3m. No more than one adjacent wall may be higher than the unit.



MODEL YCUL	A
0030	151
0036	121

LD04448

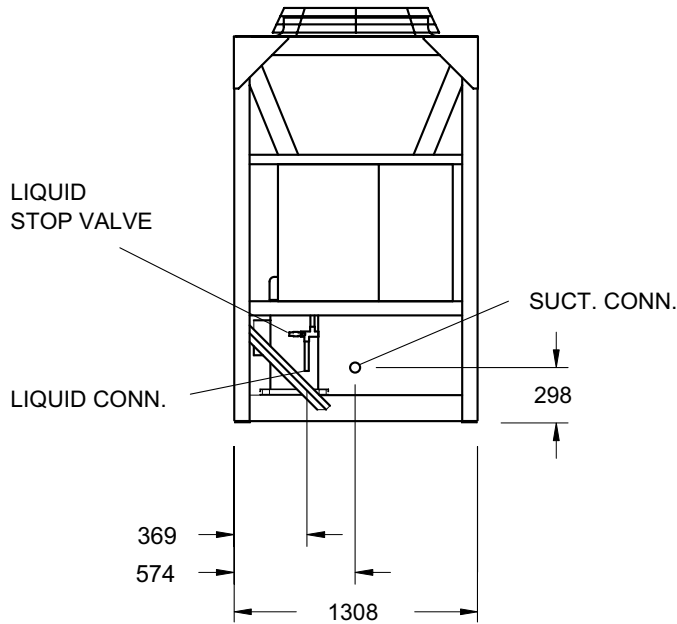
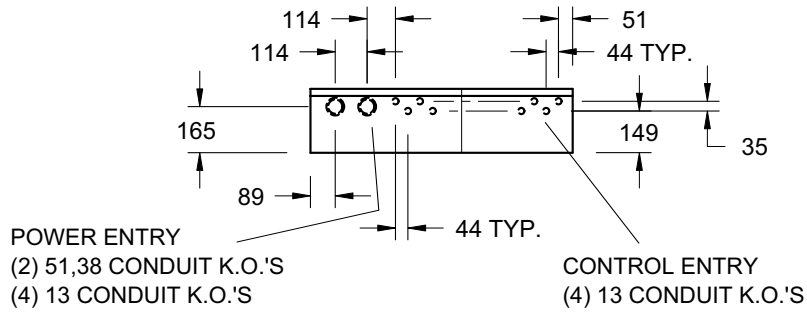
ALUMINUM COIL

COPPER COIL

YCUL	Center of Gravity (mm)		
	X	Y	Z
0030	1126	671	1004
0036	1127	676	999

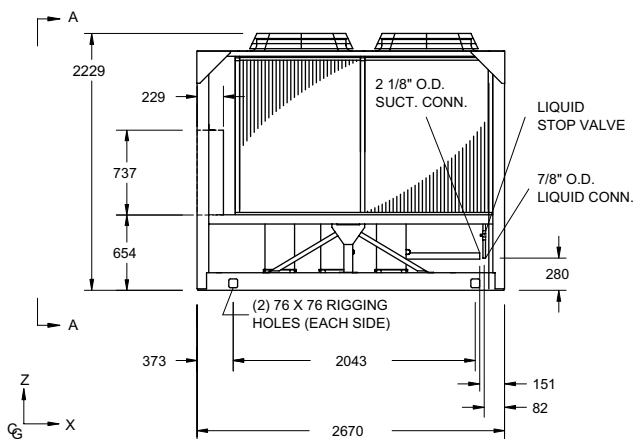
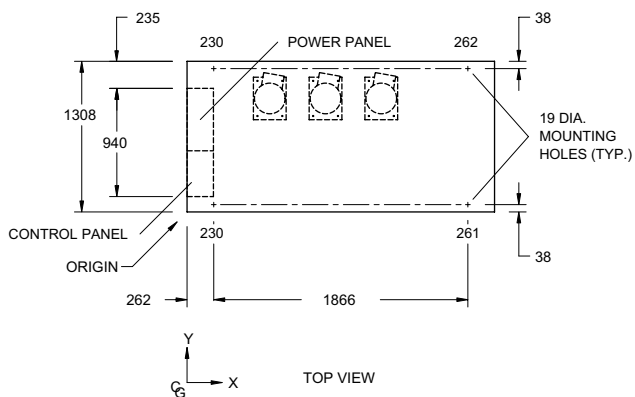
YCUL	Center of Gravity (mm)		
	X	Y	Z
0030	1,102	650	985
0036	1,103	656	980

Dimensions - YCUL0040 (SI)



NOTE:

Placement on a level surface of free of obstructions (including snow, for winter operation) or air circulation ensures rated performance, reliable operation, and ease of maintenance. Site restrictions may compromise minimum clearances indicated below, resulting in unpredictable airflow patterns and possible diminished performance. YORK's unit controls will optimize operation without nuisance high-pressure safety cutouts; however, the system designer must consider potential performance degradation. Access to the unit control center assumes the unit is no higher than on spring isolators. Recommended minimum clearances: Side to wall – 2m; rear to wall – 2m; control panel to end wall – 1.2m; top – no obstructions allowed; distance between adjacent units – 3m. No more than one adjacent wall may be higher than the unit.



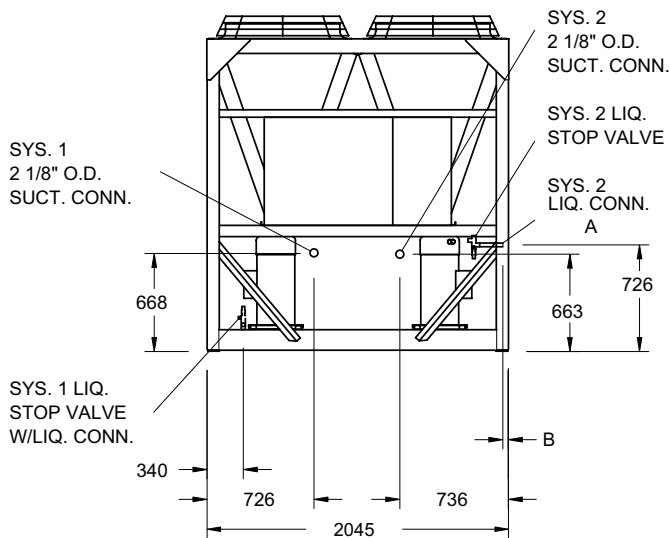
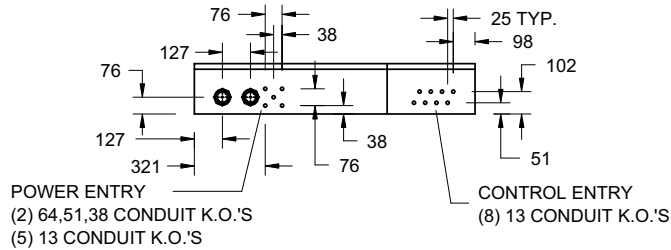
ALUMINUM COIL

COPPER COIL

YCUL	Center of Gravity (mm)		
	X	Y	Z
0040	1127	701	953

YCUL	Center of Gravity (mm)		
	X	Y	Z
0040	1,106	682	938

Dimensions - YCUL0046 - YCUL0066 (SI)

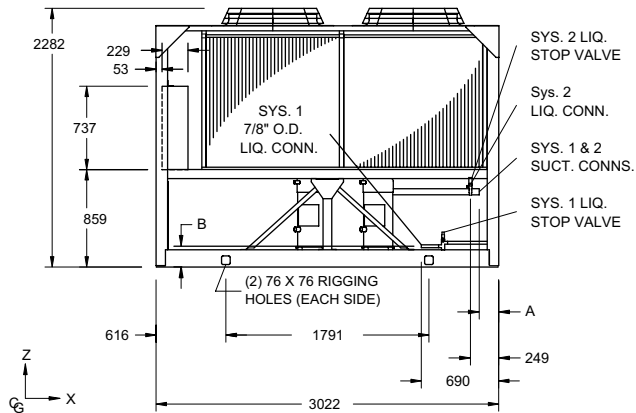
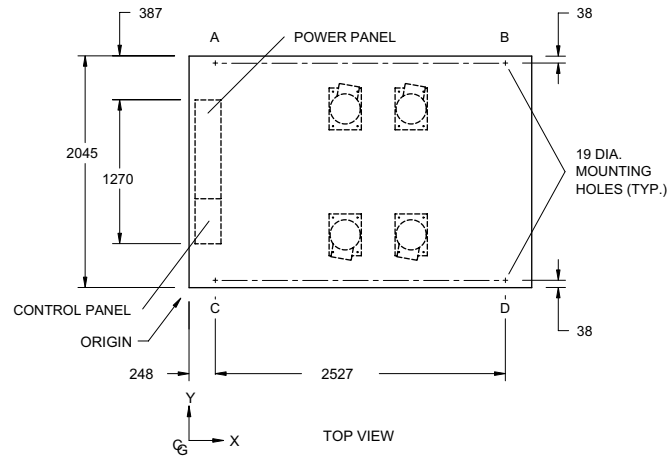


MODEL YCUL	A	B
0046	7/8" OD	3
0050	7/8" OD	6
0056	7/8" OD	6
0060	7/8" OD	6
0066	1 1/8" OD	6

LD04453

NOTE:

Placement on a level surface of free of obstructions (including snow, for winter operation) or air circulation ensures rated performance, reliable operation, and ease of maintenance. Site restrictions may compromise minimum clearances indicated below, resulting in unpredictable airflow patterns and possible diminished performance. YORK's unit controls will optimize operation without nuisance high-pressure safety cutouts; however, the system designer must consider potential performance degradation. Access to the unit control center assumes the unit is no higher than on spring isolators. Recommended minimum clearances: Side to wall - 2m; rear to wall - 2m; control panel to end wall - 1.2m; top - no obstructions allowed; distance between adjacent units - 3m. No more than one adjacent wall may be higher than the unit.



MODEL YCUL	A	B
0046	176	183
0050	176	183
0056	176	183
0060	170	183
0066	176	149

LD04454

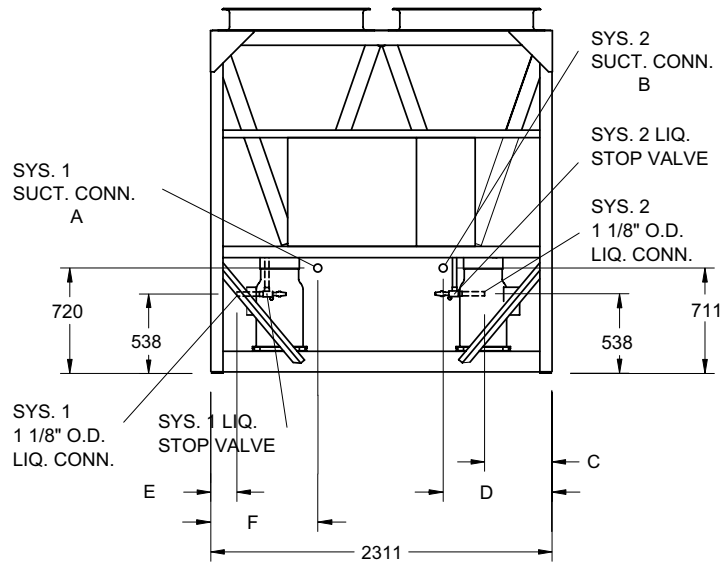
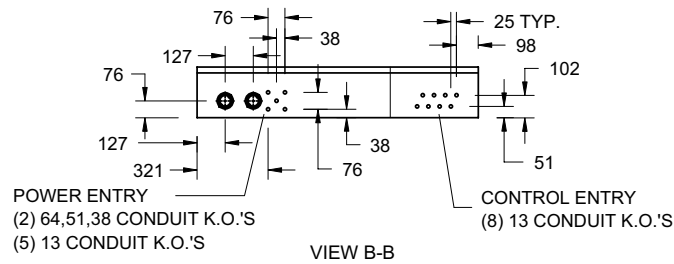
ALUMINUM COIL

COPPER COIL

YCUL	Center of Gravity (mm)		
	X	Y	Z
0046	1517	1021	1184
0050	1511	1027	1158
0056	1512	1021	1151
0060	1514	1026	1147
0066	1515	1021	1144

YCUL	Center of Gravity (mm)		
	X	Y	Z
0046	1518	1021	1187
0050	1519	1027	1180
0056	1520	1021	1172
0060	1521	1026	1169
0066	1523	1021	1165

Dimensions - YCUL0076 - YCUL0090 (SI)

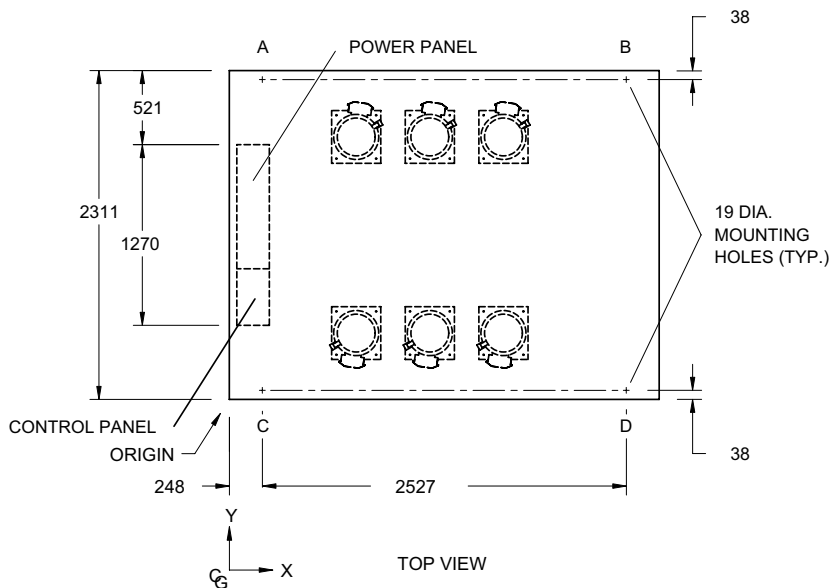


MODEL YCUL	A	B	C	D	E	F
0076	2 1/8" OD	2 1/8" OD	741	860	175	741
0080	2 1/8" OD	2 1/8" OD	741	860	175	741
0086	2 1/8" OD	2 1/8" OD	741	430	132	725
0090	2 5/8" OD	2 5/8" OD	725	430	132	725

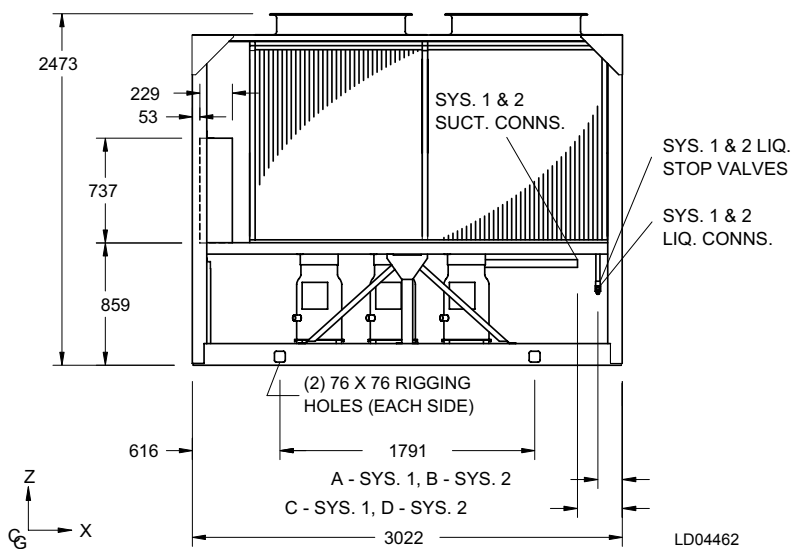
LD04461

NOTE:

Placement on a level surface of free of obstructions (including snow, for winter operation) or air circulation ensures rated performance, reliable operation, and ease of maintenance. Site restrictions may compromise minimum clearances indicated below, resulting in unpredictable airflow patterns and possible diminished performance. YORK's unit controls will optimize operation without nuisance high-pressure safety cutouts; however, the system designer must consider potential performance degradation. Access to the unit control center assumes the unit is no higher than on spring isolators. Recommended minimum clearances: Side to wall – 2m; rear to wall – 2m; control panel to end wall – 1.2m; top – no obstructions allowed; distance between adjacent units – 3m. No more than one adjacent wall may be higher than the unit.



MODEL YCUL	A	B
0076	84	81
0080	84	81
0086	81	83
0090	81	83
MODEL YCUL	C	D
0076	200	294
0080	200	294
0086	173	294
0090	254	365



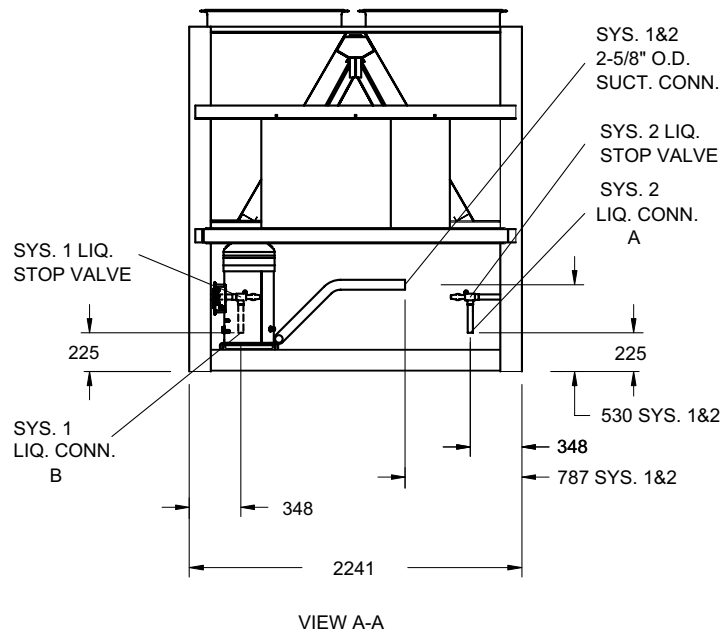
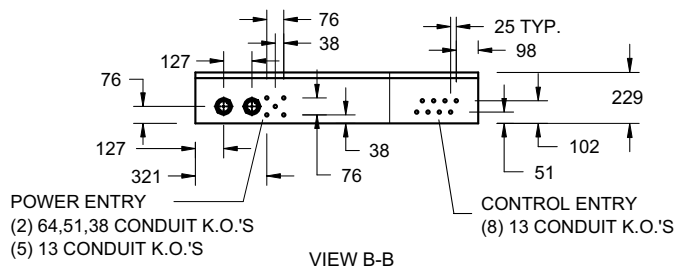
ALUMINUM COIL

YCUL	Center of Gravity (mm)		
	X	Y	Z
0076	1454	1165	1149
0080	1457	1154	1146
0086	1457	1163	1144
0090	1457	1154	1141

COPPER COIL

YCUL	Center of Gravity (mm)		
	X	Y	Z
0076	1464	1164	1172
0080	1469	1154	1175
0086	1469	1162	1172
0090	1469	1154	1169

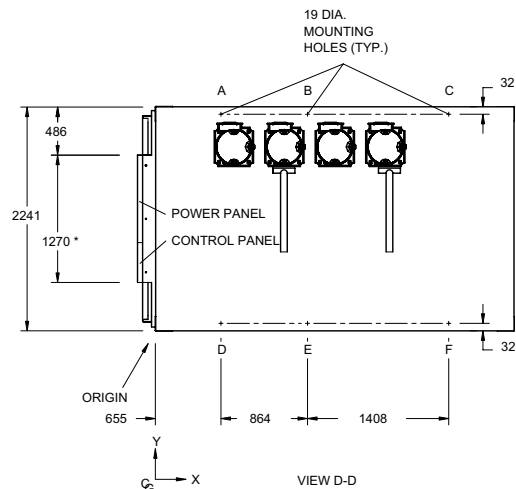
Dimensions - YCUL0096 - YCUL0100 (SI)



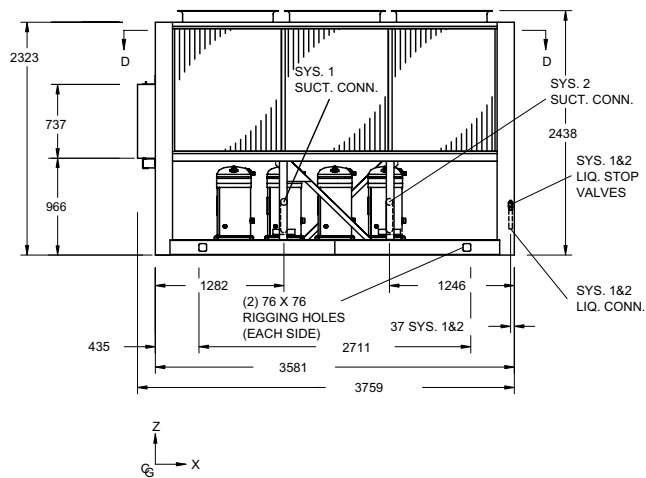
MODEL YCUL	A	B
0096	1 3/8" OD	1 1/8" OD
0100	1 3/8" OD	1 3/8" OD

NOTE:

Placement on a level surface of free of obstructions (including snow, for winter operation) or air circulation ensures rated performance, reliable operation, and ease of maintenance. Site restrictions may compromise minimum clearances indicated below, resulting in unpredictable airflow patterns and possible diminished performance. YORK's unit controls will optimize operation without nuisance high-pressure safety cutouts; however, the system designer must consider potential performance degradation. Access to the unit control center assumes the unit is no higher than on spring isolators. Recommended minimum clearances: Side to wall – 2m; rear to wall – 2m; control panel to end wall – 1.2m; top – no obstructions allowed; distance between adjacent units – 3m. No more than one adjacent wall may be higher than the unit.



* 1600 for -17 and -28 voltage code panels



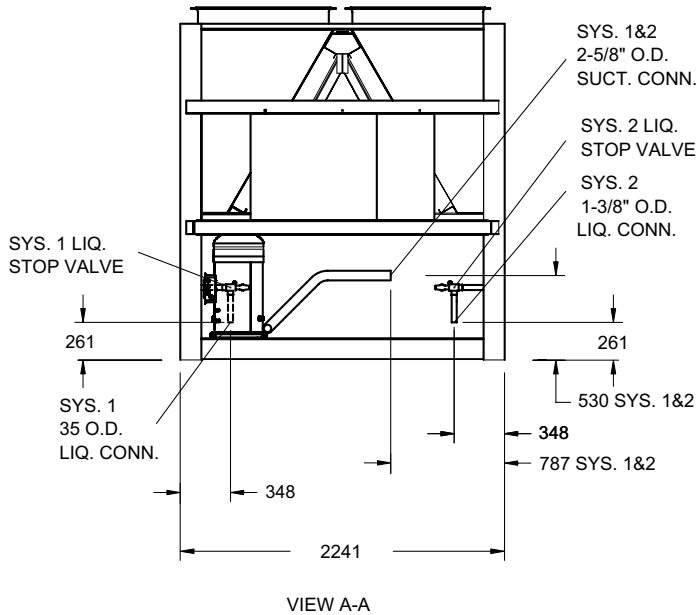
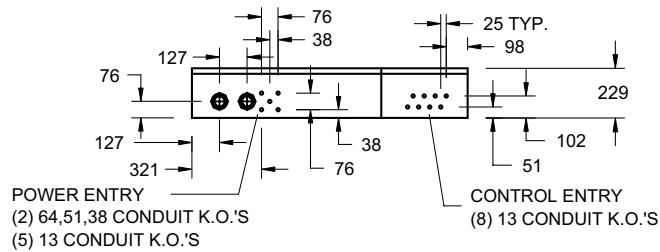
ALUMINUM COIL

COPPER COIL

YCUL	Center of Gravity (mm)		
	X	Y	Z
0096	1626	1293	1229
0100	1648	1293	1222

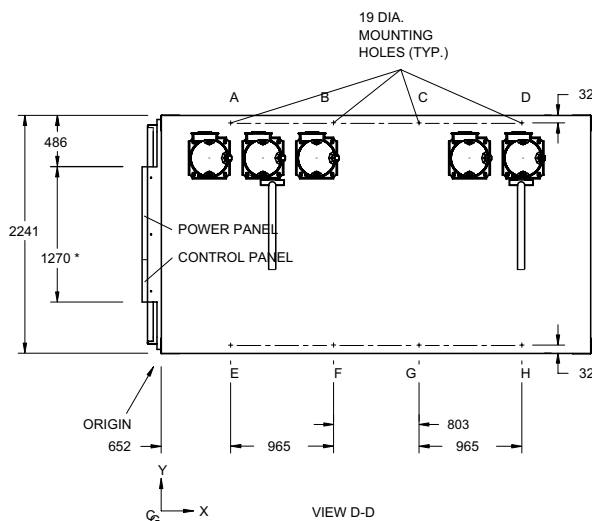
YCUL	Center of Gravity (mm)		
	X	Y	Z
0096	1646	1271	1282
0100	1667	1271	1274

Dimensions - YCUL0106 (SI)

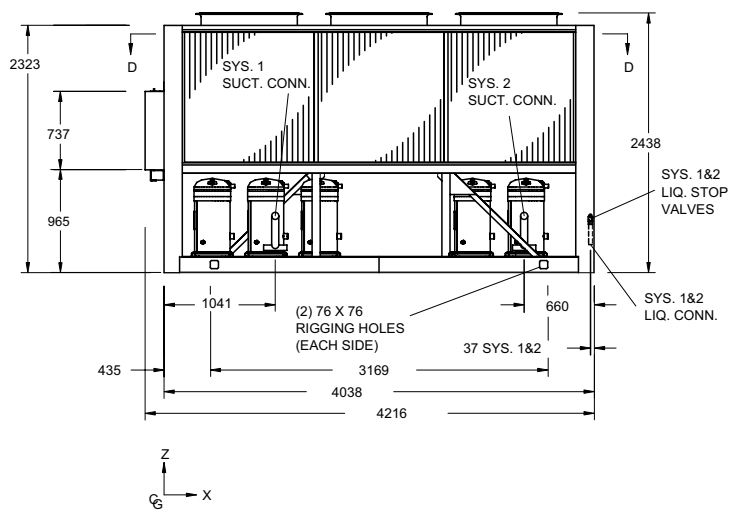


NOTE:

Placement on a level surface of free of obstructions (including snow, for winter operation) or air circulation ensures rated performance, reliable operation, and ease of maintenance. Site restrictions may compromise minimum clearances indicated below, resulting in unpredictable airflow patterns and possible diminished performance. YORK's unit controls will optimize operation without nuisance high-pressure safety cutouts; however, the system designer must consider potential performance degradation. Access to the unit control center assumes the unit is no higher than on spring isolators. Recommended minimum clearances: Side to wall – 2m; rear to wall – 2m; control panel to end wall – 1.2m; top – no obstructions allowed; distance between adjacent units – 3m. No more than one adjacent wall may be higher than the unit.



* 1600 for -17 and -28 voltage code panels



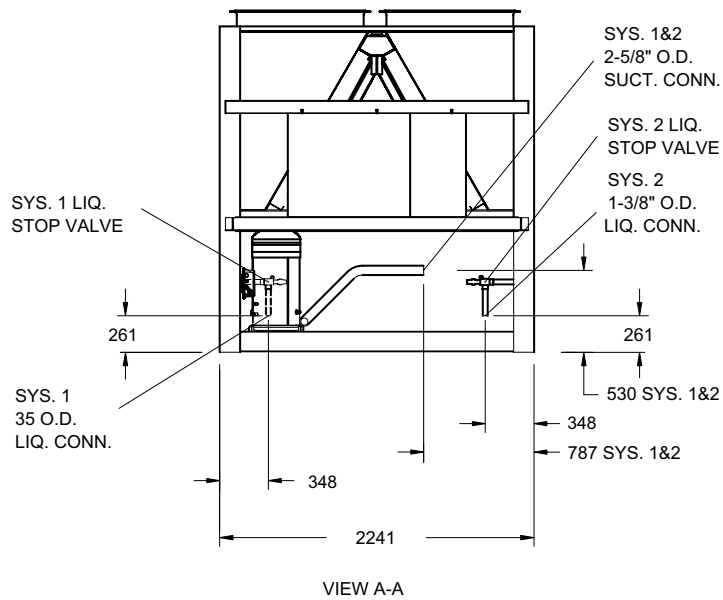
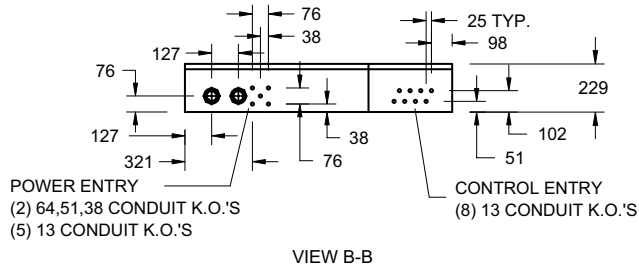
ALUMINUM COIL

YCUL	Center of Gravity (mm)		
	X	Y	Z
0106	1877	1814	1186

COPPER COIL

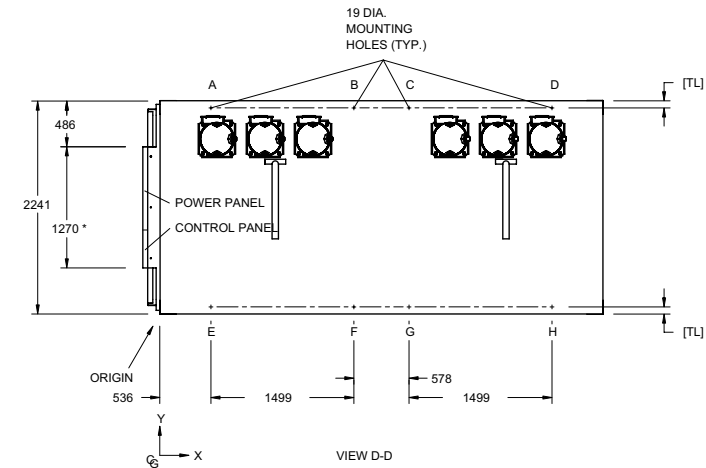
YCUL	Center of Gravity (mm)		
	X	Y	Z
0106	1895	1281	1221

Dimensions - YCUL0120 - YCUL0130 (SI)

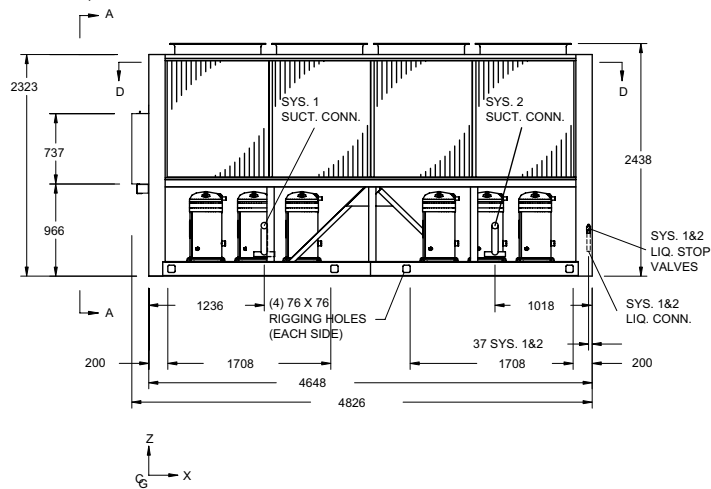


NOTE:

Placement on a level surface of free of obstructions (including snow, for winter operation) or air circulation ensures rated performance, reliable operation, and ease of maintenance. Site restrictions may compromise minimum clearances indicated below, resulting in unpredictable airflow patterns and possible diminished performance. YORK's unit controls will optimize operation without nuisance high-pressure safety cutouts; however, the system designer must consider potential performance degradation. Access to the unit control center assumes the unit is no higher than on spring isolators. Recommended minimum clearances: Side to wall – 2m; rear to wall – 2m; control panel to end wall – 1.2m; top – no obstructions allowed; distance between adjacent units – 3m. No more than one adjacent wall may be higher than the unit.



* 1600 for -17 and -28 voltage code panels



MODEL YCUL	A
0120	1185
0130	1235

ALUMINUM COIL

YCUL	Center of Gravity (mm)		
	X	Y	Z
0120	2111	1280	1176
0130	2108	1280	1176

COPPER COIL

YCUL	Center of Gravity (mm)		
	X	Y	Z
0120	2141	1257	1221
0130	2138	1257	1221

Weight Distribution

ALUMINUM FIN COILS

English Units

YCUL	Aluminum Fin Coil Weight Distribution (lbs)								
	A	B	C	D	E	F	G	H	Total
0016	577	469	554	450	---	---	---	---	2051
0026	579	470	557	452	---	---	---	---	2058
0030	697	534	662	507	---	---	---	---	2401
0036	678	586	634	548	---	---	---	---	2445
0040	801	693	694	600	---	---	---	---	2788
0046	987	984	990	987	---	---	---	---	3947
0050	1005	1005	995	995	---	---	---	---	4000
0056	1012	1013	1015	1017	---	---	---	---	4057
0060	1031	1034	1023	1026	---	---	---	---	4114
0066	1039	1045	1042	1049	---	---	---	---	4175
0076	1275	1165	1256	1147	---	---	---	---	4842
0080	1304	1196	1306	1198	---	---	---	---	5004
0086	1351	1240	1334	1225	---	---	---	---	5150
0090	1365	1253	1367	1255	---	---	---	---	5240
0096	1142	1073	971	856	782	708	---	---	5532
0100	1157	1089	1022	842	793	743	---	---	5646
0106	1102	987	871	755	785	703	621	538	6362
0120	1356	1191	1026	861	1012	889	766	643	7744
0130	1363	1196	1028	861	1018	893	768	643	7770

SI Units

YCUL	Aluminum Fin Coil Weight Distribution (kg)								
	A	B	C	D	E	F	G	H	Total
0016	262	213	251	204	---	---	---	---	930
0026	263	213	253	205	---	---	---	---	933
0030	316	242	300	230	---	---	---	---	1089
0036	307	266	288	249	---	---	---	---	1109
0040	364	314	315	272	---	---	---	---	1265
0046	448	446	449	448	---	---	---	---	1791
0050	456	456	452	451	---	---	---	---	1814
0056	459	460	460	461	---	---	---	---	1840
0060	467	469	464	466	---	---	---	---	1866
0066	471	474	473	476	---	---	---	---	1894
0076	578	528	570	520	---	---	---	---	2196
0080	591	542	593	543	---	---	---	---	2270
0086	613	562	605	556	---	---	---	---	2336
0090	619	568	620	569	---	---	---	---	2377
0096	518	487	440	388	355	321	---	---	2509
0100	525	494	464	382	360	337	---	---	2561
0106	500	448	395	342	356	319	282	244	2886
0120	615	540	465	391	459	403	347	292	3513
0130	618	542	466	391	462	405	348	292	3524

COPPER FIN COILS

English Units

YCUL	Copper Fin Coil Weight Distribution (lbs)								
	A	B	C	D	E	F	G	H	Total
0016	614	470	633	484	---	---	---	---	2201
0026	616	470	636	486	---	---	---	---	2208
0030	733	535	742	541	---	---	---	---	2551
0036	714	586	711	584	---	---	---	---	2595
0040	839	693	770	636	---	---	---	---	2938
0046	1055	1065	1058	1069	---	---	---	---	4247
0050	1073	1086	1064	1077	---	---	---	---	4300
0056	1080	1095	1083	1099	---	---	---	---	4357
0060	1098	1116	1091	1109	---	---	---	---	4414
0066	1107	1127	1110	1131	---	---	---	---	4475
0076	1343	1246	1324	1229	---	---	---	---	5142
0080	1390	1299	1393	1302	---	---	---	---	5384
0086	1437	1344	1421	1329	---	---	---	---	5530
0090	1451	1356	1454	1359	---	---	---	---	5620
0096	1293	1211	1130	982	920	858	---	---	6394
0100	1275	1227	1180	967	931	894	---	---	6474
0106	1216	1103	990	877	906	822	738	653	7305
0120	1510	1348	1186	1025	1174	1049	923	797	9012
0130	1516	1352	1188	1024	1180	1052	925	797	9034

SI Units

YCUL	Copper Fin Coil Weight Distribution (kg)								
	A	B	C	D	E	F	G	H	Total
0016	279	213	287	220	---	---	---	---	998
0026	279	213	288	220	---	---	---	---	1001
0030	333	243	336	245	---	---	---	---	1157
0036	324	266	322	265	---	---	---	---	1177
0040	380	314	349	289	---	---	---	---	1333
0046	478	483	480	485	---	---	---	---	1927
0050	487	493	482	488	---	---	---	---	1950
0056	490	497	491	498	---	---	---	---	1976
0060	498	506	495	503	---	---	---	---	2002
0066	502	511	504	513	---	---	---	---	2030
0076	609	565	600	557	---	---	---	---	2332
0080	630	589	632	591	---	---	---	---	2442
0086	652	609	645	603	---	---	---	---	2508
0090	658	615	659	617	---	---	---	---	2549
0096	586	549	513	445	417	389	---	---	2900
0100	578	557	535	439	422	406	---	---	2937
0106	552	500	449	398	411	373	335	296	3313
0120	685	611	538	465	533	476	419	362	4088
0130	688	613	539	464	535	477	420	362	4098

Isolator Selections

ALUMINUM FIN COILS

1" Isolator Selections, VMC Type CP-x-xx

YCUL	A	B	C	D	E	F	G	H
0016	1-26	1-26	1-26	1-26	---	---	---	---
0026	1-26	1-26	1-26	1-26	---	---	---	---
0030	1-27	1-26	1-27	1-26	---	---	---	---
0036	1-27	1-26	1-27	1-26	---	---	---	---
0040	1-28	1-27	1-27	1-26	---	---	---	---
0046	1-31	1-31	1-31	1-31	---	---	---	---
0050	1-31	1-31	1-31	1-31	---	---	---	---
0056	1-31	1-31	1-31	1-31	---	---	---	---
0060	1-31	1-31	1-31	1-31	---	---	---	---
0066	1-31	1-31	1-31	1-31	---	---	---	---
0076	2-27	2-26	2-27	2-26	---	---	---	---
0080	2-27	2-26	2-27	2-26	---	---	---	---
0086	2-27	2-27	2-27	2-27	---	---	---	---
0090	2-27	2-27	2-27	2-27	---	---	---	---
0096	2-26	2-26	2-26	2-25	2-25	2-25	---	---
0100	2-26	2-26	2-26	2-25	2-25	2-25	---	---
0106	2-26	2-26	2-25	2-25	2-25	2-25	2-25	2-25
0120	2-27	2-26	2-26	2-25	2-26	2-25	2-25	2-25
0130	2-27	2-26	2-26	2-25	2-26	2-25	2-25	2-25

Seismic Isolator Selections, VMC Model # AEQM-xxxx

YCUL	A	B	C	D	E	F	G	H
0016	96	96	96	96	---	---	---	---
0026	96	96	96	96	---	---	---	---
0030	97	96	97	96	---	---	---	---
0036	97	96	97	96	---	---	---	---
0040	98	97	97	96	---	---	---	---
0046	1000	1000	1000	1000	---	---	---	---
0050	1000	1000	1000	1000	---	---	---	---
0056	1000	1000	1000	1000	---	---	---	---
0060	1000	1000	1000	1000	---	---	---	---
0066	1000	1000	1000	1000	---	---	---	---
0076	1300	1000	1300	1000	---	---	---	---
0080	1300	1000	1300	1000	---	---	---	---
0086	1600	1300	1600	1300	---	---	---	---
0090	1600	1300	1600	1300	---	---	---	---
0096	1300	1300	1300	1000	1000	1000	---	---
0100	1300	1300	1300	1000	1000	1000	---	---
0106	1300	1300	1000	1000	1000	1000	1000	1000
0120	1600	1300	1300	1000	1300	1000	1000	1000
0130	1600	1300	1300	1000	1300	1000	1000	1000

ALUMINUM FIN COILS

VMC Type RD Neoprene								
YCUL	A	B	C	D	E	F	G	H
0016	-3 Grn	-3 Red	-3 Grn	-3 Red	---	---	---	---
0026	-3 Grn	-3 Red	-3 Grn	-3 Red	---	---	---	---
0030	-3 Grn	-3 Grn	-3 Grn	-3 Red	---	---	---	---
0036	-3 Grn	-3 Grn	-3 Grn	-3 Red	---	---	---	---
0040	-3 Gray	-3 Gray	-3 Gray	-3 Gray	---	---	---	---
0046	-3 Gray	-3 Gray	-3 Gray	-3 Gray	---	---	---	---
0050	-3 Gray	-3 Gray	-3 Gray	-3 Gray	---	---	---	---
0056	-3 Gray	-3 Gray	-3 Gray	-3 Gray	---	---	---	---
0060	-3 Gray	-3 Gray	-3 Gray	-3 Gray	---	---	---	---
0066	-3 Gray	-3 Gray	-3 Gray	-3 Gray	---	---	---	---
0076	-4 Blk	-4 Blk	-4 Blk	-4 Blk	---	---	---	---
0080	-4 Blk	-4 Blk	-4 Blk	-4 Blk	---	---	---	---
0086	-4 Blk	-4 Blk	-4 Blk	-4 Blk	---	---	---	---
0090	-4 Blk	-4 Blk	-4 Blk	-4 Blk	---	---	---	---
0096	-4 Blk	-3 Gray	-3 Gray	-3 Gray	-3 Gray	-3 Grn	---	---
0100	-4 Blk	-3 Gray	-3 Gray	-3 Gray	-3 Gray	-3 Grn	---	---
0106	-4 Blk	-3 Gray	-3 Gray	-3 Gray	-3 Gray	-3 Grn	-3 Grn	-2 Gray
0120	-4 Blk	-4 Blk	-3 Gray	-3 Gray	-3 Gray	-3 Gray	-3 Gray	-3 Grn
0130	-4 Blk	-4 Blk	-3 Gray	-3 Gray	-3 Gray	-3 Gray	-3 Gray	-3 Grn

COPPER FIN COILS

1" Isolator Selections, VMC Type CP-x-xx

YCUL	A	B	C	D	E	F	G	H
0016	1-27	1-26	1-27	1-26	---	---	---	---
0026	1-27	1-26	1-27	1-26	---	---	---	---
0030	1-27	1-26	1-27	1-26	---	---	---	---
0036	1-27	1-26	1-27	1-26	---	---	---	---
0040	1-28	1-27	1-28	1-27	---	---	---	---
0046	1-31	1-31	1-31	1-31	---	---	---	---
0050	1-31	1-31	1-31	1-31	---	---	---	---
0056	1-31	1-31	1-31	1-31	---	---	---	---
0060	2-26	2-26	2-26	2-26	---	---	---	---
0066	2-26	2-26	2-26	2-26	---	---	---	---
0076	2-27	2-27	2-27	2-27	---	---	---	---
0080	2-27	2-27	2-27	2-27	---	---	---	---
0086	2-27	2-27	2-27	2-27	---	---	---	---
0090	2-27	2-27	2-27	2-27	---	---	---	---
0096	2-27	2-27	2-26	2-26	2-26	2-25	---	---
0100	2-27	2-27	2-26	2-26	2-26	2-25	---	---
0106	2-27	2-26	2-26	2-25	2-26	2-25	2-25	2-25
0120	2-28	2-27	2-26	2-26	2-26	2-26	2-26	2-25
0130	2-28	2-27	2-26	2-26	2-26	2-26	2-26	2-25

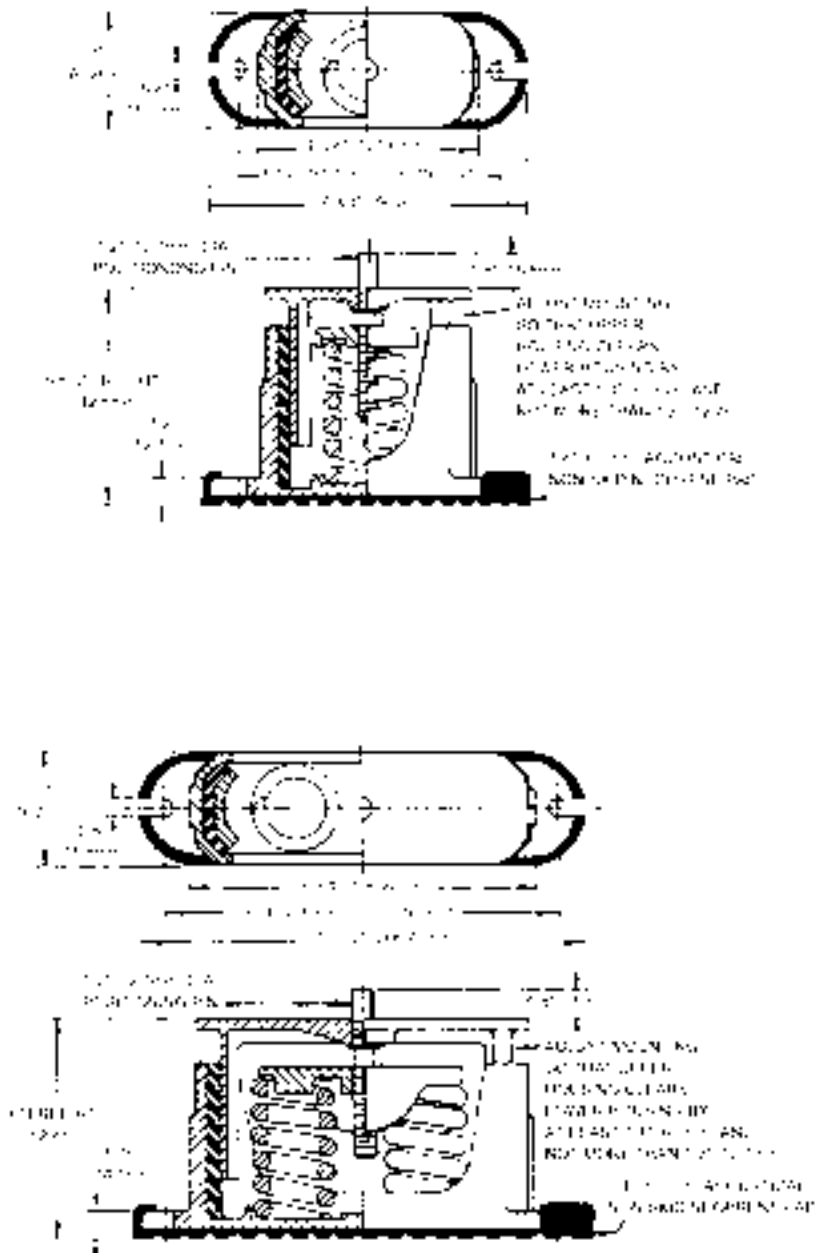
Seismic Isolator Selections, VMC Model # AEQM-xxxx

YCUL	A	B	C	D	E	F	G	H
0016	97	96	97	96	---	---	---	---
0026	97	96	97	96	---	---	---	---
0030	97	96	97	96	---	---	---	---
0036	97	96	97	96	---	---	---	---
0040	98	97	98	97	---	---	---	---
0046	99	99	99	99	---	---	---	---
0050	99	99	99	99	---	---	---	---
0056	99	99	99	99	---	---	---	---
0060	99	99	99	99	---	---	---	---
0066	99	99	99	99	---	---	---	---
0076	1600	1300	1600	1300	---	---	---	---
0080	1600	1300	1600	1300	---	---	---	---
0086	1600	1600	1600	1600	---	---	---	---
0090	1600	1600	1600	1600	---	---	---	---
0096	1600	1300	1300	1300	1000	1000	---	---
0100	1600	1300	1300	1300	1000	1000	---	---
0106	1600	1300	1300	1000	1300	1000	1000	1000
0120	1600	1600	1300	1300	1300	1300	1300	1000
0130	1600	1600	1300	1300	1300	1300	1300	1000

COPPER FIN COILS

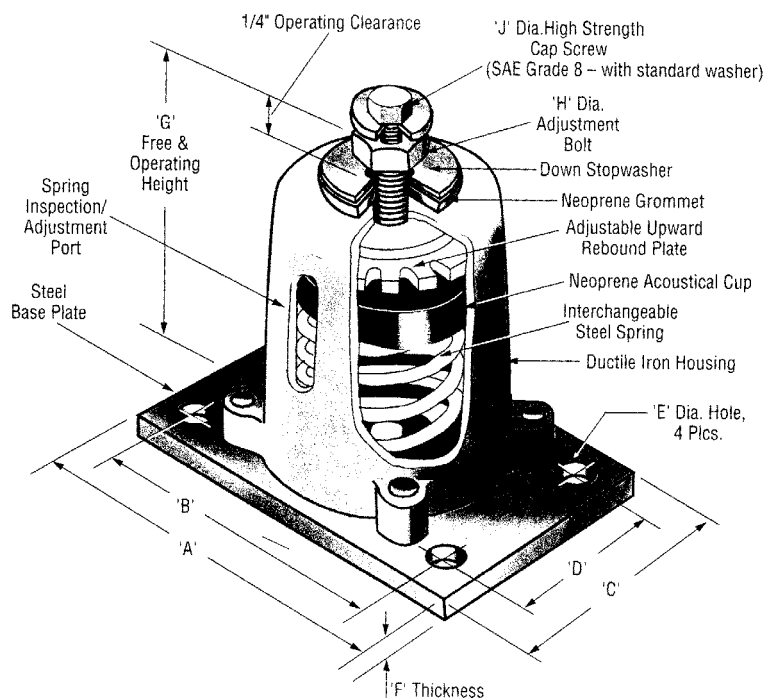
VMC Type RD Neoprene								
YCUL	A	B	C	D	E	F	G	H
0016	-3 Grn	-3 Red	-3 Grn	-3 Red	---	---	---	---
0026	-3 Grn	-3 Red	-3 Grn	-3 Red	---	---	---	---
0030	-3 Grn	-3 Red	-3 Grn	-3 Red	---	---	---	---
0036	-3 Grn	-3 Grn	-3 Grn	-3 Grn	---	---	---	---
0040	-3 Gray	-3 Gray	-3 Gray	-3 Gray	---	---	---	---
0046	-3 Gray	-3 Gray	-3 Gray	-3 Gray	---	---	---	---
0050	-3 Gray	-3 Gray	-3 Gray	-3 Gray	---	---	---	---
0056	-3 Gray	-3 Gray	-3 Gray	-3 Gray	---	---	---	---
0060	-4 Blk	-4 Blk	-4 Blk	-4 Blk	---	---	---	---
0066	-4 Blk	-4 Blk	-4 Blk	-4 Blk	---	---	---	---
0076	-4 Blk	-4 Blk	-4 Blk	-4 Blk	---	---	---	---
0080	-4 Blk	-4 Blk	-4 Blk	-4 Blk	---	---	---	---
0086	-4 Blk	-4 Blk	-4 Blk	-4 Blk	---	---	---	---
0090	-4 Blk	-4 Blk	-4 Blk	-4 Blk	---	---	---	---
0096	-4 Blk	-4 Blk	-4 Blk	-3 Gray	-3 Gray	-3 Gray	---	---
0100	-4 Blk	-4 Blk	-4 Blk	-3 Gray	-3 Gray	-3 Gray	---	---
0106	-4 Blk	-4 Blk	-3 Gray	-3 Gray	-3 Gray	-3 Gray	-3 Grn	-3 Grn
0120	-4 Red	-4 Blk	-4 Blk	-3 Gray	-4 Blk	-3 Gray	-3 Gray	-3 Gray
0130	-4 Red	-4 Blk	-4 Blk	-3 Gray	-4 Blk	-3 Gray	-3 Gray	-3 Gray

Isolators



1" DEFLECTION			SEISMIC		
MODEL	PART- #	COLOR	MODEL	PART #	COLOR
CP-1-26	308439-26	PURPLE	AEQM-96	301055-96	BLACK
CP-1-27	308439-27	ORANGE	AEQM-97	301055-97	WHITE
CP-1-28	308439-28	GREEN	AEQM-98	301055-98	GRAY
CP-1-31	308439-31	GRAY	AEQM-99	301055-99	BLUE
CP-2-25	308439-25	RED	AEQM-1000	30106-1000	GREEN
CP-2-26	308692-26	PURPLE	AEQM-1300	30106-1300	YELLOW
CP-2-27	308962-27	ORANGE	AEQM-1600	301060-1600	GRAY
CP-2-28	308692-28	GREEN	AEQM-1625	301060-1625	RED
CP-2-31	308692-31	GRAY	AEQM-1628	301060-1628	GRAY/GREEN

DIMENSIONS



MODEL #	A	B	C	D	E	F	G	H	J
AEQM-97	7	5-1/2	4-1/2	2-1/2	5/8	1/4	7-1/4	5/8	3/8
AEQM-98	7	5-1/2	4-1/2	2-1/2	5/8	1/4	7-1/4	5/8	3/8
AEQM-99	7	5-1/2	4-1/2	2-1/2	5/8	1/4	7-1/4	5/8	3/8
AEQM-1000	8-1/2	6-1/2	6	4-1/2	3/4	3/8	8-3/8	7/8	1/2
AEQM-1300	8-1/2	6-1/2	6	4-1/2	3/4	3/8	8-3/8	7/8	1/2
AEQM-1600	8-1/2	6-1/2	6	4-1/2	3/4	3/8	8-3/8	7/8	1/2
AEQM-1625	8-1/2	6-1/2	6	4-1/2	3/4	3/8	8-3/8	7/8	1/2
AEQM-1628	8-1/2	6-1/2	6	4-1/2	3/4	3/8	8-3/8	7/8	1/2

Electrical Notes

NOTES:

1. Minimum Circuit Ampacity (MCA) is based on 125% of the rated load amps for the largest motor plus 100% of the rated load amps for all other loads included in the circuit, per N.E.C. Article 430-24. If the optional Factory Mounted Control Transformer is provided, add the following MCA values to the electrical tables for the system providing power to the transformer: -17, add 2.5 amps; -28, add 2.3 amps; -40, add 1.5 amps, -46, add 1.3 amps; -58, add 1 amps.
2. Minimum fuse size is based upon 150% of the rated load amps for the largest motor plus 100% of the rated load amps for all other loads included in the circuit to avoid nuisance trips at start-up due to lock rotor amps. It is not recommended in applications where brown outs, frequent starting and stopping of the unit, and/or operation at ambient temperatures in excess of 95°F (35°C) is anticipated.
3. Maximum fuse size is based upon 225% of the rated load amps for the largest motor plus 100% of the rated load amps for all other loads included in the circuit, per N.E.C. Article 440.
4. The minimum recommended disconnect switch is based on 115% of the rated load amps for all loads included in the circuit, per N.E.C. Article 440.
5. Circuit breakers must be UL listed and CSA certified and maximum size is based on 225% of the rated loadamps for the largest motor plus 100% of the rated load amps for all other loads included in the circuit. Exception: YCUL0016 and YCUL0026 must have the optional factory overloads installed to use a standard circuit breaker. Otherwise, an HACR-type circuit breakers must be used. Maximum HACR circuit breaker rating is based on 225% of the rated load amps for the largest motor plus 100% of the rated load amps for all other loads included in the circuit.
6. The "INCOMING WIRE RANGE" is the minimum and maximum wire size that can be accommodated by the unit wiring lugs. The (2) preceding the wire range indicates the number of termination points available per phase of the wire range specified. Actual wire size and number of wires per phase must be determined based on the National Electrical Code, **USING COPPER CONNECTORS ONLY**. Field wiring must also comply with local codes.
7. A ground lug is provided for each compressor system to accommodate a field grounding conductor per N.E.C. Table 250-95. A control circuit grounding lug is also supplied.
8. The supplied disconnect is a "Disconnecting Means" as defined in the N.E.C. 100, and is intended for isolating the unit for the available power supply to perform maintenance and troubleshooting. This disconnect is not intended to be a Load Break Device.
9. Field Wiring by others which complies to the National Electrical Code & Local Codes.

LEGEND

ACR-LINE	ACROSS THE LINE START	
C.B.	CIRCUIT BREAKER	
D.E.	DUAL ELEMENT FUSE	
DISC SW	DISCONNECT SWITCH	
FACT MOUNT CB	FACTORY MOUNTED CIRCUIT BREAKER	
FLA	FULL LOAD AMPS	
HZ	HERTZ	
MAX	MAXIMUM	
MCA	MINIMUM CIRCUIT AMPACITY	
MIN	MINIMUM	
MIN NF	MINIMUM NON FUSED	
RLA	RATED LOAD AMPS	
S.P. WIRE	SINGLE POINT WIRING	
UNIT MTD SERV SW	UNIT MOUNTED SERVICE (NON-FUSED DISCONNECT SWITCH)	
LRA	LOCKED ROTOR ARMS	

VOLTAGE CODE

-17 = 200-3-60
-28 = 230-3-60
-40 = 380-3-60
-46 = 460-3-60
-58 = 575-3-60

Electrical Data

YCUL0016 - YCUL0040

SINGLE POINT POWER SUPPLY CONNECTIONS (See Fig. 1)

(One Field Provided Power Supply to the condensing unit. Field connections to Factory Provided Power Terminal Block (standard), Non-Fused Disconnect Switch (optional) or Circuit Breaker (optional).)

MODEL YCUL	SINGLE POINT FIELD SUPPLIED WIRING										SYSTEM #1 COMPRESSOR & FAN								
	VOLT	HZ	MCA ¹	MIN N/F DISC SW ²	D.E. FUSE		CKT. BKR. ⁵		INCOMING (LUGS) WIRE RANGE ⁶			COMPR. #1		COMPR. #2		COMPR. #3		FANS	
					MIN ³	MAX ⁴	MIN	MAX	TERMINAL BLOCK (std)	NF DISC. SWITCH (opt)	CIRCUIT BREAKER (opt)	RLA	LRA	RLA	LRA	RLA	LRA	QTY	FLA (EA)
0016	200	60	71	100	80	90	80	90	# 10 - # 1	# 14 - 1/0	# 14 - 1/0	24.0	189	24.0	189	—	—	2	8.2
	230	60	70	100	80	90	80	90	# 10 - # 1	# 14 - 1/0	# 14 - 1/0	24.0	189	24.0	189	—	—	2	7.8
	380	60	42	60	50	50	50	50	# 10 - # 1	# 14 - 2	# 14 - 2	14.4	112	14.4	112	—	—	2	4.8
	460	60	35	60	40	45	40	45	# 10 - # 1	# 14 - 2	# 14 - 2	12.0	99	12.0	99	—	—	2	4.0
	575	60	28	30	35	35	35	35	# 10 - # 1	# 14 - 2	# 14 - 2	9.6	74	9.6	74	—	—	2	3.1
0026	200	60	92	100	100	110	100	110	# 10 - # 1	# 14 - 1/0	# 14 - 1/0	33.2	278	33.2	278	—	—	2	8.2
	230	60	91	100	100	110	100	110	# 10 - # 1	# 14 - 1/0	# 14 - 1/0	33.2	278	33.2	278	—	—	2	7.8
	380	60	55	60	60	70	60	70	# 10 - # 1	# 14 - 2	# 14 - 2	19.9	151	19.9	151	—	—	2	4.8
	460	60	46	60	50	60	50	60	# 10 - # 1	# 14 - 2	# 14 - 2	16.6	127	16.6	127	—	—	2	4.0
	575	60	37	60	40	45	40	45	# 10 - # 1	# 14 - 2	# 14 - 2	13.3	100	13.3	100	—	—	2	3.1
0030	200	60	107	150	125	125	125	125	# 10 - # 1	# 2 - 4/0	# 2 - 4/0	40.0	350	40.0	350	—	—	2	8.2
	230	60	106	150	125	125	125	125	# 10 - # 1	# 2 - 4/0	# 2 - 4/0	40.0	350	40.0	350	—	—	2	7.8
	380	60	64	100	70	80	70	80	# 10 - # 1	# 14 - 1/0	# 14 - 1/0	24.0	195	24.0	195	—	—	2	4.8
	460	60	53	60	60	70	60	70	# 10 - # 1	# 14 - 2	# 14 - 2	19.9	167	19.9	167	—	—	2	4.0
	575	60	43	60	50	50	50	50	# 10 - # 1	# 14 - 2	# 14 - 2	16.0	125	16.0	125	—	—	2	3.1
0036	200	60	124	150	150	150	150	150	# 10 - 3/0	# 2 - 4/0	# 2 - 4/0	47.8	425	47.8	425	—	—	2	8.2
	230	60	124	150	150	150	150	150	# 10 - 3/0	# 2 - 4/0	# 2 - 4/0	47.8	425	47.8	425	—	—	2	7.8
	380	60	75	100	90	90	90	90	# 10 - # 1	# 14 - 1/0	# 14 - 1/0	28.7	239	28.7	239	—	—	2	4.8
	460	60	62	100	70	70	70	70	# 10 - # 1	# 14 - 1/0	# 14 - 1/0	23.9	198	23.9	198	—	—	2	4.0
	575	60	50	60	60	60	60	60	# 10 - # 1	# 14 - 2	# 14 - 2	19.1	148	19.1	148	—	—	2	3.1
0040	200	60	147	200	175	175	175	175	# 10 - 3/0	# 3 - 300	# 3 - 300	40.0	350	40.0	350	40.0	350	2	8.2
	230	60	146	200	175	175	175	175	# 10 - 3/0	# 3 - 300	# 3 - 300	40.0	350	40.0	350	40.0	350	2	7.8
	380	60	88	100	100	110	100	110	# 10 - # 1	# 14 - 1/0	# 14 - 1/0	24.0	195	24.0	195	24.0	195	2	4.8
	460	60	73	100	80	90	80	90	# 10 - # 1	# 14 - 1/0	# 14 - 1/0	19.9	167	19.9	167	19.9	167	2	4.0
	575	60	59	100	70	70	70	70	# 10 - # 1	# 14 - 1/0	# 14 - 1/0	16.0	125	16.0	125	16.0	125	2	3.1

UNIT VOLTAGE	UNIT VOLTAGE	CONTROL POWER	MCA	OVER CURRENT PROTECTION, SEE NOTE B		NFDISC Sw
			NOTE A	MIN	MAX	
MODELS w/o CONTROL TRANS		115-1-60/50	15A	10A	15A	30 A / 240V
MODELS w/ CONTROL TRANS	-17	200-1-60	15A	10A	15A	30 A / 240V
	-28	230-1-60	15A	10A	15A	30 A / 240V
	-40	380-1-60	15A	10A	15A	30 A / 480V
	-46	460-1-60	15A	10A	15A	30 A / 480V
	-58	575-1-60	15A	10A	15A	30 A / 600V

A. Minimum #14 AWG, 75°C, Copper Recommended

B. Minimum and Maximum Over Current Protection, Dual Element Fuse or Circuit Breaker

VOLTAGE RANGE			
VOLTAGE CODE	UNIT POWER	MIN.	MAX.
-17	200-3-60	180	220
-28	230-3-60	207	253
-40	380/415-3-60	342	440
-46	460-3-60	414	506
-58	575-3-60	517	633

Electrical Data

YCUL0046 - YCUL0090

DUAL POINT POWER SUPPLY CONNECTIONS (see Fig. 2)

(Two Field Provided Power Supply Circuits to the condensing unit. Field connections to Factory Provided Terminal Blocks per system.)

MODEL YCUL	VOLT	HZ	SYSTEM #1 FIELD SUPPLIED WIRING							SYSTEM #1 COMPRESSOR & FAN							
			MCA ¹	MIN N/F DISC SW ²	D.E. FUSE		CKT. BKR. ⁵		INCOMING (LUGS) WIRE RANGE ⁶	COMPR. #1		COMPR. #2		COMPR. #3		FANS	
					MIN ³	MAX ⁴	MIN	MAX		RLA	LRA	RLA	LRA	RLA	LRA	QTY	FLA (EA)
0046	200	60	92	100	100	110	100	110	# 10 - # 1	33.2	278	33.2	278	—	—	2	8.2
	230	60	91	100	100	110	100	110	# 10 - # 1	33.2	278	33.2	278	—	—	2	7.8
	380	60	55	60	60	70	60	70	# 10 - # 1	19.9	151	19.9	151	—	—	2	4.8
	460	60	46	60	50	60	50	60	# 10 - # 1	16.6	127	16.6	127	—	—	2	4.0
	575	60	37	60	40	45	40	45	# 10 - # 1	13.3	100	13.3	100	—	—	2	3.1
0050	200	60	107	150	125	125	125	125	# 10 - # 1	40.0	350	40.0	350	—	—	2	8.2
	230	60	106	150	125	125	125	125	# 10 - # 1	40.0	350	40.0	350	—	—	2	7.8
	380	60	64	100	70	90	70	90	# 10 - # 1	24.0	195	24.0	195	—	—	2	4.8
	460	60	53	60	60	70	60	70	# 10 - # 1	19.9	167	19.9	167	—	—	2	4.0
	575	60	43	60	50	50	50	50	# 10 - # 1	16.0	125	16.0	125	—	—	2	3.1
0056	200	60	107	150	125	125	125	125	# 10 - # 1	40.0	350	40.0	350	—	—	2	8.2
	230	60	106	150	125	125	125	125	# 10 - # 1	40.0	350	40.0	350	—	—	2	7.8
	380	60	64	100	70	80	70	80	# 10 - # 1	24.0	195	24.0	195	—	—	2	4.8
	460	60	53	60	60	70	60	70	# 10 - # 1	19.9	167	19.9	167	—	—	2	4.0
	575	60	43	60	50	50	50	50	# 10 - # 1	16.0	125	16.0	125	—	—	2	3.1
0060	200	60	124	150	150	150	150	150	# 10 - 3/0	47.8	425	47.8	425	—	—	2	8.2
	230	60	124	150	150	150	150	150	# 10 - 3/0	47.8	425	47.8	425	—	—	2	7.8
	380	60	75	100	90	100	90	100	# 10 - # 1	28.7	239	28.7	239	—	—	2	4.8
	460	60	62	100	70	80	70	80	# 10 - # 1	23.9	198	23.9	198	—	—	2	4.0
	575	60	50	60	60	60	60	60	# 10 - # 1	19.1	148	19.1	148	—	—	2	3.1
0066	200	60	124	150	150	150	150	150	# 10 - 3/0	47.8	425	47.8	425	—	—	2	8.2
	230	60	124	150	150	150	150	150	# 10 - 3/0	47.8	425	47.8	425	—	—	2	7.8
	380	60	75	100	90	100	90	100	# 10 - # 1	28.7	239	28.7	239	—	—	2	4.8
	460	60	62	100	70	80	70	80	# 10 - # 1	23.9	198	23.9	198	—	—	2	4.0
	575	60	50	60	60	60	60	60	# 10 - # 1	19.1	148	19.1	148	—	—	2	3.1
0076	200	60	147	200	175	175	175	175	# 10 - 3/0	40.0	350	40.0	350	40.0	350	2	8.2
	230	60	146	200	175	175	175	175	# 10 - 3/0	40.0	350	40.0	350	40.0	350	2	7.8
	380	60	88	100	100	110	100	110	# 10 - # 1	24.0	195	24.0	195	24.0	195	2	4.8
	460	60	73	100	80	90	80	90	# 10 - # 1	19.9	167	19.9	167	19.9	167	2	4.0
	575	60	59	100	70	70	70	70	# 10 - # 1	16.0	125	16.0	125	16.0	125	2	3.1
0080	200	60	147	200	175	175	175	175	# 10 - 3/0	40.0	350	40.0	350	40.0	350	2	8.2
	230	60	146	200	175	175	175	175	# 10 - 3/0	40.0	350	40.0	350	40.0	350	2	7.8
	380	60	88	100	100	110	100	110	# 10 - # 1	24.0	195	24.0	195	24.0	195	2	4.8
	460	60	73	100	80	90	80	90	# 10 - # 1	19.9	167	19.9	167	19.9	167	2	4.0
	575	60	59	100	70	70	70	70	# 10 - # 1	16.0	125	16.0	125	16.0	125	2	3.1
0086	200	60	172	200	200	200	200	200	# 10 - 3/0	47.8	425	47.8	425	47.8	425	2	8.2
	230	60	171	200	200	200	200	200	# 10 - 3/0	47.8	425	47.8	425	47.8	425	2	7.8
	380	60	103	150	125	125	125	125	# 10 - # 1	28.7	239	28.7	239	28.7	239	2	4.8
	460	60	86	100	100	100	100	100	# 10 - # 1	23.9	198	23.9	198	23.9	198	2	4.0
	575	60	69	100	80	80	80	80	# 10 - # 1	19.1	148	19.1	148	19.1	148	2	3.1
0090	200	60	172	200	200	200	200	200	# 10 - 3/0	47.8	425	47.8	425	47.8	425	2	8.2
	230	60	171	200	200	200	200	200	# 10 - 3/0	47.8	425	47.8	425	47.8	425	2	7.8
	380	60	103	150	125	125	125	125	# 10 - # 1	28.7	239	28.7	239	28.7	239	2	4.8
	460	60	86	100	100	100	100	100	# 10 - # 1	23.9	198	23.9	198	23.9	198	2	4.0
	575	60	69	100	80	80	80	80	# 10 - # 1	19.1	148	19.1	148	19.1	148	2	3.1

YCUL0046 - YCUL0090**DUAL POINT POWER SUPPLY CONNECTIONS (see Fig. 2)**

(Two Field Provided Power Supply Circuits to the condensing unit. Field connections to Factory Provided Terminal Blocks per system.)

MCA ¹	MIN N/F DISC SW ²	SYSTEM #2 FIELD SUPPLIED WIRING					SYSTEM #2 COMPRESSOR & FAN							
		D.E. FUSE		CKT. BKR. ⁵		INCOMING (LUGS) WIRE RANGE ⁶	COMPR. #1		COMPR. #2		COMPR. #3		FANS	
		MIN ³	MAX ⁴	MIN	MAX		RLA	LRA	RLA	LRA	RLA	LRA	QTY	FLA (EA)
92	100	100	110	100	110	# 10 - # 1	33.2	278	33.2	278	—	—	2	8.2
91	100	100	110	100	110	# 10 - # 1	33.2	278	33.2	278	—	—	2	7.8
55	60	60	70	60	70	# 10 - # 1	19.9	151	19.9	151	—	—	2	4.8
46	60	50	60	50	60	# 10 - # 1	16.6	127	16.6	127	—	—	2	4.0
37	60	40	45	40	45	# 10 - # 1	13.3	100	13.3	100	—	—	2	3.1
92	100	100	110	100	110	# 10 - # 1	33.2	278	33.2	278	—	—	2	8.2
91	100	100	110	100	110	# 10 - # 1	33.2	278	33.2	278	—	—	2	7.8
55	60	60	70	60	70	# 10 - # 1	19.9	151	19.9	151	—	—	2	4.8
46	60	50	60	50	60	# 10 - # 1	16.6	127	16.6	127	—	—	2	4.0
37	60	40	45	40	45	# 10 - # 1	13.3	100	13.3	100	—	—	2	3.1
107	150	125	125	125	125	# 10 - # 1	40.0	350	40.0	350	—	—	2	8.2
106	150	125	125	125	125	# 10 - # 1	40.0	350	40.0	350	—	—	2	7.8
64	100	70	80	70	80	# 10 - # 1	24.0	195	24.0	195	—	—	2	4.8
53	60	60	70	60	70	# 10 - # 1	19.9	167	19.9	167	—	—	2	4.0
43	60	50	50	50	50	# 10 - # 1	16.0	125	16.0	125	—	—	2	3.1
107	150	125	125	125	125	# 10 - # 1	40.0	350	40.0	350	—	—	2	8.2
106	150	125	125	125	125	# 10 - # 1	40.0	350	40.0	350	—	—	2	7.8
64	100	70	80	70	80	# 10 - # 1	24.0	195	24.0	195	—	—	2	4.8
53	60	60	70	60	70	# 10 - # 1	19.9	167	19.9	167	—	—	2	4.0
43	60	50	50	50	50	# 10 - # 1	16.0	125	16.0	125	—	—	2	3.1
124	150	150	150	150	150	# 10 - 3/0	47.8	425	47.8	425	—	—	2	8.2
124	150	150	150	150	150	# 10 - 3/0	47.8	425	47.8	425	—	—	2	7.8
75	100	90	100	90	100	# 10 - # 1	28.7	239	28.7	239	—	—	2	4.8
62	100	70	80	70	80	# 10 - # 1	23.9	198	23.9	198	—	—	2	4.0
50	60	60	60	60	60	# 10 - # 1	19.1	148	19.1	148	—	—	2	3.1
125	150	150	150	150	150	# 10 - 3/0	33.2	278	33.2	278	33.2	278	2	8.2
124	150	150	150	150	150	# 10 - 3/0	33.2	278	33.2	278	33.2	278	2	7.8
75	100	80	90	80	90	# 10 - # 1	19.9	151	19.9	151	19.9	151	2	4.8
62	100	70	70	70	70	# 10 - # 1	16.6	127	16.6	127	16.6	127	2	4.0
50	60	60	60	60	60	# 10 - # 1	13.3	100	13.3	100	13.3	100	2	3.1
147	200	175	175	175	175	# 10 - 3/0	40.0	350	40.0	350	40.0	350	2	8.2
146	200	175	175	175	175	# 10 - 3/0	40.0	350	40.0	350	40.0	350	2	7.8
88	100	100	110	100	110	# 10 - # 1	24.0	195	24.0	195	24.0	195	2	4.8
73	100	80	90	80	90	# 10 - # 1	19.9	167	19.9	167	19.9	167	2	4.0
59	100	70	70	70	70	# 10 - # 1	16.0	125	16.0	125	16.0	125	2	3.1
147	200	175	175	175	175	# 10 - 3/0	40.0	350	40.0	350	40.0	350	2	8.2
146	200	175	175	175	175	# 10 - 3/0	40.0	350	40.0	350	40.0	350	2	7.8
88	100	100	100	100	100	# 10 - # 1	24.0	195	24.0	195	24.0	195	2	4.8
73	100	80	90	80	90	# 10 - # 1	19.9	167	19.9	167	19.9	167	2	4.0
59	100	70	70	70	70	# 10 - # 1	16.0	125	16.0	125	16.0	125	2	3.1
172	200	200	200	200	200	# 10 - 3/0	47.8	425	47.8	425	47.8	425	2	8.2
171	200	200	200	200	200	# 10 - 3/0	47.8	425	47.8	425	47.8	425	2	7.8
103	150	125	125	125	125	# 10 - # 1	28.7	239	28.7	239	28.7	239	2	4.8
86	100	100	100	100	100	# 10 - # 1	23.9	198	23.9	198	23.9	198	2	4.0
69	100	80	80	80	80	# 10 - # 1	19.1	148	19.1	148	19.1	148	2	3.1

Electrical Data

YCUL0046 - YCUL0090

SINGLE POINT POWER SUPPLY CONNECTIONS (see Fig. 1)

(One Field Provided Power Supply Circuit to the condensing unit. Field connections to Factory Provided Terminal Block (optional), Non-Fused Disconnect Switch (optional) or Circuit Breaker (optional).)

SINGLE POINT FIELD SUPPLIED WIRING

MODEL YCUL	VOLT	HZ	MCA ¹	MIN N/F DISC SW ²	D.E. FUSE		CKT. BKR. ⁵		INCOMING (LUGS) WIRE RANGE ⁶		
					MIN ³	MAX ⁴	MIN	MAX	TERMINAL BLOCK (opt)	NF DISC. SWITCH (opt)	CIRCUIT BREAKER (opt)
0046	200	60	174	200	200	200	200	200	# 10 - 3/0	# 6 - 350	# 3 - 300
	230	60	173	200	200	200	200	200	# 10 - 3/0	# 6 - 350	# 3 - 300
	380	60	104	150	110	110	110	110	# 10 - # 1	# 2 - 4/0	# 2 - 4/0
	460	60	87	100	100	100	100	100	# 10 - # 1	# 14 - 1/0	# 14 - 1/0
	575	60	69	100	80	80	80	80	# 10 - # 1	# 14 - 1/0	# 14 - 1/0
0050	200	60	190	250	200	225	200	225	# 10 - 300	# 6 - 350	# 3 - 300
	230	60	188	250	200	225	200	225	# 10 - 300	# 6 - 350	# 3 - 300
	380	60	113	150	125	125	125	125	# 10 - # 1	# 2 - 4/0	# 2 - 4/0
	460	60	94	150	100	110	100	110	# 10 - # 1	# 2 - 4/0	# 14 - 1/0
	575	60	75	100	80	90	80	90	# 10 - # 1	# 14 - 1/0	# 14 - 1/0
0056	200	60	203	250	225	225	225	225	# 10 - 300	# 6 - 350	# 3 - 300
	230	60	202	250	225	225	225	225	# 10 - 300	# 6 - 350	# 3 - 300
	380	60	122	150	150	125	150	125	# 10 - 3/0	# 2 - 4/0	# 2 - 4/0
	460	60	101	150	110	110	110	110	# 10 - # 1	# 2 - 4/0	# 2 - 4/0
	575	60	81	100	90	90	90	90	# 10 - # 1	# 14 - 1/0	# 14 - 1/0
0060	200	60	221	250	250	250	250	250	# 10 - 300	# 6 - 350	# 6 - 350
	230	60	219	250	250	250	250	250	# 10 - 300	# 6 - 350	# 6 - 350
	380	60	132	150	150	150	150	150	# 10 - 3/0	# 2 - 4/0	# 2 - 4/0
	460	60	110	150	125	125	125	125	# 10 - # 1	# 2 - 4/0	# 2 - 4/0
	575	60	88	100	100	100	100	100	# 10 - # 1	# 14 - 1/0	# 14 - 1/0
0066	200	60	236	400	250	250	250	250	# 10 - 300	250-500	# 6 - 350
	230	60	235	400	250	250	250	250	# 10 - 300	250-500	# 6 - 350
	380	60	142	200	150	150	150	150	# 10 - 3/0	# 6 - 350	# 2 - 4/0
	460	60	118	150	125	125	125	125	# 10 - 3/0	# 2 - 4/0	# 2 - 4/0
	575	60	94	150	100	110	100	110	# 10 - # 1	# 2 - 4/0	# 14 - 1/0
0076	200	60	263	400	300	300	300	300	# 4 - 500	250-500	250-500
	230	60	261	400	300	300	300	300	# 4 - 500	250-500	250-500
	380	60	157	200	175	175	175	175	# 10 - 3/0	# 6 - 350	# 2 - 4/0
	460	60	131	150	150	150	150	150	# 10 - 3/0	# 2 - 4/0	# 2 - 4/0
	575	60	105	150	110	110	110	110	# 10 - # 1	# 2 - 4/0	# 2 - 4/0
0080	200	60	283	400	300	300	300	300	# 4 - 500	250-500	250-500
	230	60	282	400	300	300	300	300	# 4 - 500	250-500	250-500
	380	60	170	200	200	200	200	200	# 10 - 3/0	# 6 - 350	# 4 - 300
	460	60	141	200	150	150	150	150	# 10 - 3/0	# 6 - 350	# 2 - 4/0
	575	60	113	150	125	125	125	125	# 10 - # 1	# 2 - 4/0	# 2 - 4/0
0086	200	60	309	400	350	350	350	350	# 4 - 500	250-500	250-500
	230	60	307	400	350	350	350	350	# 4 - 500	250-500	250-500
	380	60	185	250	200	200	200	200	# 10 - 300	# 6 - 350	# 4 - 300
	460	60	154	200	175	175	175	175	# 10 - 3/0	# 6 - 350	# 4 - 300
	575	60	123	150	150	125	150	125	# 10 - 3/0	# 2 - 4/0	# 2 - 4/0
0090	200	60	332	400	350	350	350	350	# 4 - 500	250-500	250-500
	230	60	330	400	350	350	350	350	# 4 - 500	250-500	250-500
	380	60	199	250	225	225	225	225	# 10 - 300	# 6 - 350	# 4 - 300
	460	60	166	200	175	175	175	175	# 10 - 3/0	# 6 - 350	# 4 - 300
	575	60	132	150	150	150	150	150	# 10 - 3/0	# 2 - 4/0	# 2 - 4/0

See Notes on page 100

YCUL0046 - YCUL0090

SINGLE POINT POWER SUPPLY CONNECTIONS (see Fig. 1)

(One Field Provided Power Supply Circuit to the condensing unit. Field connections to Factory Provided Terminal Block (optional), Non-Fused Disconnect Switch (optional) or Circuit Breaker (optional).)

SYSTEM #1 COMPRESSOR & FAN								SYSTEM #2 FIELD SUPPLIED WIRING							
COMPR. #1		COMPR. #2		COMPR. #3		FANS		COMPR. #1		COMPR. #2		COMPR. #3		FANS	
RLA	LRA	RLA	LRA	RLA	LRA	QTY	FLA(EA)	RLA	LRA	RLA	LRA	RLA	LRA	QTY	FLA(EA)
33.2	278	33.2	278	—	—	2	8.2	33.2	278	33.2	278	—	—	2	8.2
33.2	278	33.2	278	—	—	2	7.8	33.2	278	33.2	278	—	—	2	7.8
19.9	151	19.9	151	—	—	2	4.8	19.9	151	19.9	151	—	—	2	4.8
16.6	127	16.6	127	—	—	2	4.0	16.6	127	16.6	127	—	—	2	4.0
13.3	100	13.3	100	—	—	2	3.1	13.3	100	13.3	100	—	—	2	3.1
40.0	350	40.0	350	—	—	2	8.2	33.2	278	33.2	278	—	—	2	8.2
40.0	350	40.0	350	—	—	2	7.8	33.2	278	33.2	278	—	—	2	7.8
24.0	195	24.0	195	—	—	2	4.8	19.9	151	19.9	151	—	—	2	4.8
19.9	167	19.9	167	—	—	2	4.0	16.6	127	16.6	127	—	—	2	4.0
16.0	125	16.0	125	—	—	2	3.1	13.3	100	13.3	100	—	—	2	3.1
40.0	350	40.0	350	—	—	2	8.2	40.0	350	40.0	350	—	—	2	8.2
40.0	350	40.0	350	—	—	2	7.8	40.0	350	40.0	350	—	—	2	7.8
24.0	195	24.0	195	—	—	2	4.8	24.0	195	24.0	195	—	—	2	4.8
19.9	167	19.9	167	—	—	2	4.0	19.9	167	19.9	167	—	—	2	4.0
16.0	125	16.0	125	—	—	2	3.1	16.0	125	16.0	125	—	—	2	3.1
47.8	425	47.8	425	—	—	2	8.2	40.0	350	40.0	350	—	—	2	8.2
47.8	425	47.8	425	—	—	2	7.8	40.0	350	40.0	350	—	—	2	7.8
28.7	239	28.7	239	—	—	2	4.8	24.0	195	24.0	195	—	—	2	4.8
23.9	198	23.9	198	—	—	2	4.0	19.9	167	19.9	167	—	—	2	4.0
19.1	148	19.1	148	—	—	2	3.1	16.0	125	16.0	125	—	—	2	3.1
47.8	425	47.8	425	—	—	2	8.2	47.8	425	47.8	425	—	—	2	8.2
47.8	425	47.8	425	—	—	2	7.8	47.8	425	47.8	425	—	—	2	7.8
28.7	239	28.7	239	—	—	2	4.8	28.7	239	28.7	239	—	—	2	4.8
23.9	198	23.9	198	—	—	2	4.0	23.9	198	23.9	198	—	—	2	4.0
19.1	148	19.1	148	—	—	2	3.1	19.1	148	19.1	148	—	—	2	3.1
40.0	350	40.0	350	40.0	350	2	8.2	33.2	278	33.2	278	33.2	278	2	8.2
40.0	350	40.0	350	40.0	350	2	7.8	33.2	278	33.2	278	33.2	278	2	7.8
24.0	195	24.0	195	24.0	195	2	4.8	19.9	151	19.9	151	19.9	151	2	4.8
19.9	167	19.9	167	19.9	167	2	4.0	16.6	127	16.6	127	16.6	127	2	4.0
16.0	125	16.0	125	16.0	125	2	3.1	13.3	100	13.3	100	13.3	100	2	3.1
40.0	350	40.0	350	40.0	350	2	8.2	40.0	350	40.0	350	40.0	350	2	8.2
40.0	350	40.0	350	40.0	350	2	7.8	40.0	350	40.0	350	40.0	350	2	7.8
24.0	195	24.0	195	24.0	195	2	4.8	24.0	195	24.0	195	24.0	195	2	4.8
19.9	167	19.9	167	19.9	167	2	4.0	19.9	167	19.9	167	19.9	167	2	4.0
16.0	125	16.0	125	16.0	125	2	3.1	16.0	125	16.0	125	16.0	125	2	3.1
47.8	425	47.8	425	47.8	425	2	8.2	40.0	350	40.0	350	40.0	350	2	8.2
47.8	425	47.8	425	47.8	425	2	7.8	40.0	350	40.0	350	40.0	350	2	7.8
28.7	239	28.7	239	28.7	239	2	4.8	24.0	195	24.0	195	24.0	195	2	4.8
23.9	198	23.9	198	23.9	198	2	4.0	19.9	167	19.9	167	19.9	167	2	4.0
19.1	148	19.1	148	19.1	148	2	3.1	16.0	125	16.0	125	16.0	125	2	3.1
47.8	425	47.8	425	47.8	425	2	8.2	47.8	425	47.8	425	47.8	425	2	8.2
47.8	425	47.8	425	47.8	425	2	7.8	47.8	425	47.8	425	47.8	425	2	7.8
28.7	239	28.7	239	28.7	239	2	4.8	28.7	239	28.7	239	28.7	239	2	4.8
23.9	198	23.9	198	23.9	198	2	4.0	23.9	198	23.9	198	23.9	198	2	4.0
19.1	148	19.1	148	19.1	148	2	3.1	19.1	148	19.1	148	19.1	148	2	3.1

Electrical Data

YCUL0096 - YCUL0130

MULTIPLE POINT POWER SUPPLY CONNECTIONS (see Fig. 3)

(Two Field Provided Power Supply Circuits to the condensing unit. Field connections to Factory Provided Terminal Blocks (standard), Non-Fused Disconnect Switches (optional) or Individual System Circuit Breakers (optional) per electrical system.)

MODEL YCUL	VOLT	HZ	SYSTEM #1 FIELD SUPPLIED WIRING								
			MCA ¹	MIN N/F DISC SW ²	D.E. FUSE		CKT. BKR. ⁵		INCOMING (LUGS) WIRE RANGE ⁶		
					MIN ³	MAX ⁴	MIN	MAX	TERMINAL BLOCK (std)	NF DISC. SWITCHES (opt)	CIR BREAKERS (opt)
0096	200	60	251	400	300	350	300	350	# 6 - 400	(1 or 2) 3/0 - 500	(1 or 2) 3/0 - 500
	230	60	233	250	300	300	300	300	# 6 - 400	(1) # 6 - 350	(1 or 2) 3/0 - 500
	380	60	135	150	150	175	150	175	# 14 - 2/0	(1) # 6 - 350	(1) # 6 - 350
	460	60	111	150	125	150	125	150	# 14 - 2/0	(1) # 6 - 350	(1) # 3 - 3/0
	575	60	89	100	100	110	100	110	# 14 - 2/0	(1) # 6 - 350	(1) # 10 - 1/0
0100	200	60	251	400	300	350	300	350	# 6 - 400	(1 or 2) 3/0 - 500	(1 or 2) 3/0 - 500
	230	60	233	250	300	300	300	300	# 6 - 400	(1) # 6 - 350	(1 or 2) 3/0 - 500
	380	60	135	150	150	175	150	175	# 14 - 2/0	(1) # 6 - 350	(1) # 6 - 350
	460	60	111	150	125	150	125	150	# 14 - 2/0	(1) # 6 - 350	(1) # 3 - 3/0
	575	60	89	100	100	110	100	110	# 14 - 2/0	(1) # 6 - 350	(1) # 10 - 1/0
0106	200	60	274	400	300	300	300	300	(2) # 4 - 500	(1 or 2) 3/0 - 500	(1 or 2) 3/0 - 500
	230	60	254	400	300	300	300	300	(2) # 4 - 500	(1 or 2) 3/0 - 500	(1 or 2) 3/0 - 500
	380	60	148	200	175	175	175	175	# 14 - 2/0	(1) # 6 - 350	(1) # 3 - 3/0
	460	60	122	150	150	150	150	150	# 14 - 2/0	(1) # 6 - 350	(1) # 10 - 1/0
	575	60	98	150	110	110	110	110	# 14 - 2/0	(1) # 10 - 1/0	(1) # 10 - 1/0
0120	200	60	274	400	300	300	300	300	(2) # 4 - 500	(1 or 2) 3/0 - 500	(1 or 2) 3/0 - 500
	230	60	254	400	300	300	300	300	(2) # 4 - 500	(1 or 2) 3/0 - 500	(1 or 2) 3/0 - 500
	380	60	148	200	175	175	175	175	# 14 - 2/0	(1) # 6 - 350	(1) # 6 - 350
	460	60	122	150	150	150	150	150	# 14 - 2/0	(1) # 6 - 350	(1) # 6 - 350
	575	60	98	150	110	110	110	110	# 14 - 2/0	(1) # 6 - 350	(1) # 3 - 3/0
0130	200	60	359	400	400	450	400	450	(2) # 4 - 500	(1 or 2) 3/0 - 500	(1 or 2) 3/0 - 500
	230	60	333	400	400	400	400	400	(2) # 4 - 500	(1 or 2) 3/0 - 500	(1 or 2) 3/0 - 500
	380	60	194	250	225	225	225	225	# 6 - 400	(1) # 6 - 350	(1) # 6 - 350
	460	60	159	200	175	200	175	200	# 6 - 400	(1) # 6 - 350	(1) # 6 - 350
	575	60	128	150	150	150	150	150	# 14 - 2/0	(1) # 6 - 350	(1) # 6 - 350

MODEL YCUL	VOLT	HZ	SYSTEM #2 FIELD SUPPLIED WIRING								
			MCA ¹	MIN N/F DISC SW ²	D.E. FUSE		CKT. BKR. ⁵		INCOMING (LUGS) WIRE RANGE ⁶		
					MIN ³	MAX ⁴	MIN	MAX	TERMINAL BLOCK (std)	NF DISC. SWITCHES (opt)	CIR BREAKERS (opt)
0096	200	60	191	200	225	250	225	250	# 6 - 400	(1) # 6 - 350	(1) # 6 - 350
	230	60	178	200	200	225	200	225	# 6 - 400	(1) # 6 - 350	(1) # 6 - 350
	380	60	104	150	125	125	125	125	# 14 - 2/0	(1) # 6 - 350	(1) # 3 - 3/0
	460	60	85	100	100	110	100	110	# 14 - 2/0	(1) # 10 - 1/0	(1) # 10 - 1/0
	575	60	68	100	80	90	80	90	# 14 - 2/0	(1) # 10 - 1/0	(1) # 10 - 1/0
0100	200	60	251	400	300	350	300	350	# 6 - 400	(1 or 2) 3/0 - 500	(1 or 2) 3/0 - 500
	230	60	233	250	300	300	300	300	# 6 - 400	(1) # 6 - 350	(1 or 2) 3/0 - 500
	380	60	135	150	150	175	150	175	# 14 - 2/0	(1) # 6 - 350	(1) # 6 - 350
	460	60	111	150	125	150	125	150	# 14 - 2/0	(1) # 6 - 350	(1) # 3 - 3/0
	575	60	89	100	100	110	100	110	# 14 - 2/0	(1) # 6 - 350	(1) # 10 - 1/0
0106	200	60	259	400	300	350	300	350	# 6 - 400	(1 or 2) 3/0 - 500	(1 or 2) 3/0 - 500
	230	60	241	250	300	300	300	300	# 6 - 400	(1) # 6 - 350	(1 or 2) 3/0 - 500
	380	60	140	150	175	175	175	175	# 14 - 2/0	(1) # 6 - 350	(1) # 6 - 350
	460	60	115	150	150	150	150	150	# 14 - 2/0	(1) # 6 - 350	(1) # 6 - 350
	575	60	92	100	110	125	110	125	# 14 - 2/0	(1) # 6 - 350	(1) # 3 - 3/0
0120	200	60	274	400	300	300	300	300	(2) # 4 - 500	(1 or 2) 3/0 - 500	(1 or 2) 3/0 - 500
	230	60	254	400	300	300	300	300	(2) # 4 - 500	(1 or 2) 3/0 - 500	(1 or 2) 3/0 - 500
	380	60	148	200	175	175	175	175	# 14 - 2/0	(1) # 6 - 350	(1) # 6 - 350
	460	60	122	150	150	150	150	150	# 14 - 2/0	(1) # 6 - 350	(1) # 6 - 350
	575	60	98	150	110	110	110	110	# 14 - 2/0	(1) # 6 - 350	(1) # 3 - 3/0
0130	200	60	374	400	300	300	300	300	(2) # 4 - 500	(1 or 2) 3/0 - 500	(1 or 2) 3/0 - 500
	230	60	354	400	300	300	300	300	(2) # 4 - 500	(1 or 2) 3/0 - 500	(1 or 2) 3/0 - 500
	380	60	148	200	175	175	175	175	# 14 - 2/0	(1) # 6 - 350	(1) # 6 - 350
	460	60	122	150	150	150	150	150	# 14 - 2/0	(1) # 6 - 350	(1) # 6 - 350
	575	60	98	150	110	110	110	110	# 14 - 2/0	(1) # 6 - 350	(1) # 3 - 3/0

See Notes on page 100

YCUL0096 - YCUL0130**MULTIPLE POINT POWER SUPPLY CONNECTIONS (see Fig. 3)**

(Two Field Provided Power Supply Circuits to the condensing unit. Field connections to Factory Provided Terminal Blocks (standard), Non-Fused Disconnect Switches (optional) or Individual System Circuit Breakers (optional) per electrical system.)

SYSTEM #1 COMPRESSOR & FAN

COMPR. #1		COMPR. #2		COMPR. #3		FANS	
RLA	LRA	RLA	LRA	RLA	LRA	QTY	FLA(EA)
100.2	550	100.2	550	—	—	3	8.2
92.8	550	92.8	550	—	—	3	7.8
53.5	305	53.5	305	—	—	3	4.8
44.2	270	44.2	270	—	—	3	4.0
35.4	210	35.4	210	—	—	3	3.1
100.2	550	100.2	550	—	—	3	8.2
92.8	550	92.8	550	—	—	3	7.8
53.5	305	53.5	305	—	—	3	4.8
44.2	270	44.2	270	—	—	3	4.0
35.4	210	35.4	210	—	—	3	3.1
73.9	450	73.9	450	73.9	450	4	8.2
68.5	450	68.5	450	68.5	450	4	7.8
39.5	260	39.5	260	39.5	260	4	4.8
32.6	215	32.6	215	32.6	215	4	4.0
26.1	180	26.1	180	26.1	180	4	3.1
73.9	450	73.9	450	73.9	450	4	8.2
68.5	450	68.5	450	68.5	450	4	7.8
39.5	260	39.5	260	39.5	260	4	4.8
32.6	215	32.6	215	32.6	215	4	4.0
26.1	180	26.1	180	26.1	180	4	3.1
100.2	550	100.2	550	100.2	550	4	8.2
92.8	550	92.8	550	92.8	550	4	7.8
53.5	305	53.5	305	53.5	305	4	4.8
44.2	270	44.2	270	44.2	270	4	4.0
35.4	210	35.4	210	35.4	210	4	3.1

SYSTEM #2 COMPRESSOR & FAN

COMPR. #1		COMPR. #2		COMPR. #3		FANS	
RLA	LRA	RLA	LRA	RLA	LRA	QTY	FLA(EA)
73.9	450	73.9	450	—	—	3	8.2
68.5	450	68.5	450	—	—	3	7.8
39.5	260	39.5	260	—	—	3	4.8
32.6	215	32.6	215	—	—	3	4.0
26.1	180	26.1	180	—	—	3	3.1
100.2	550	100.2	550	—	—	3	8.2
92.8	550	92.8	550	—	—	3	7.8
53.5	305	53.5	305	—	—	3	4.8
44.2	270	44.2	270	—	—	3	4.0
35.4	210	35.4	210	—	—	3	3.1
100.2	550	100.2	550	—	—	4	8.2
92.8	550	92.8	550	—	—	4	7.8
53.5	305	53.5	305	—	—	4	4.8
44.2	270	44.2	270	—	—	4	4.0
35.4	210	35.4	210	—	—	4	3.1
73.9	450	73.9	450	73.9	450	4	8.2
68.5	450	68.5	450	68.5	450	4	7.8
39.5	260	39.5	260	39.5	260	4	4.8
32.6	215	32.6	215	32.6	215	4	4.0
26.1	180	26.1	180	26.1	180	4	3.1
73.9	450	73.9	450	73.9	450	4	8.2
68.5	450	68.5	450	68.5	450	4	7.8
39.5	260	39.5	260	39.5	260	4	4.8
32.6	215	32.6	215	32.6	215	4	4.0
26.1	180	26.1	180	26.1	180	4	3.1

Electrical Data

YCUL0096 - YCUL0130 (R22 & R407C)

SINGLE-POINT POWER SUPPLY CONNECTIONS WITH INDIVIDUAL SYSTEM CIRCUIT BREAKERS (see Fig. 4)

(One Field Provided Power Supply Circuit to the condensing unit. Field connections to Factory Provided Terminal Block (optional) or Non-Fused Disconnect Switch (optional). Includes Individual Branch Circuit Protection (Breakers) per electrical system)

MODEL YCUL	VOLT	HZ	SINGLE POINT FIELD SUPPLIED WIRING							
			MCA ¹	MIN N/F DISC SW ²	D.E. FUSE		CKT. BKR. ⁵		INCOMING (LUGS) WIRE RANGE ⁶	
					MIN ³	MAX ⁴	MIN	MAX	TERMINAL BLOCK (opt)	NF DISC. SWITCH (opt)
0096	200	60	423	600	450	500	450	500	(2) # 4 - 500	(1 or 2) 3/0 - 500
	230	60	393	600	450	450	450	450	(2) # 4 - 500	(1 or 2) 3/0 - 500
	380	60	229	250	250	250	250	250	(2) # 4 - 500	(1) # 6 - 350
	460	60	188	250	250	200	250	200	# 6 - 400	(1) # 6 - 350
	575	60	151	200	200	175	200	175	# 14 - 2/0	(1) # 6 - 350
0100	200	60	476	600	600	600	600	600	(2) # 4 - 500	(1 or 2) 3/0 - 500
	230	60	442	600	500	500	500	500	(2) # 4 - 500	(1 or 2) 3/0 - 500
	380	60	257	400	300	300	300	300	(2) # 4 - 500	(1 or 2) 3/0 - 500
	460	60	211	250	225	250	225	250	# 6 - 400	(1) # 6 - 350
	575	60	169	200	200	200	200	200	# 6 - 400	(1) # 6 - 350
0106	200	60	513	600	600	600	600	600	(2) # 4 - 500	(1 or 2) 3/0 - 500
	230	60	477	600	500	500	500	500	(2) # 4 - 500	(1 or 2) 3/0 - 500
	380	60	278	400	300	300	300	300	(2) # 4 - 500	(1 or 2) 3/0 - 500
	460	60	228	250	250	250	250	250	# 6 - 400	(1) # 6 - 350
	575	60	183	200	200	200	200	200	# 6 - 400	(1) # 6 - 350
0120	200	60	528	600	600	600	600	600	(2) # 4 - 500	(1 or 2) 3/0 - 500
	230	60	491	600	600	600	600	600	(2) # 4 - 500	(1 or 2) 3/0 - 500
	380	60	286	400	300	300	300	300	(2) # 4 - 500	(1 or 2) 3/0 - 500
	460	60	235	400	250	250	250	250	# 6 - 400	(1 or 2) 3/0 - 500
	575	60	188	250	200	200	200	200	# 6 - 400	(1) # 6 - 350
0130	200	60	607	800	700	700	700	700	(2) # 4 - 500	(1 or 2) 3/0 - 500
	230	60	564	800	600	600	600	600	(2) # 4 - 500	(1 or 2) 3/0 - 500
	380	60	328	400	350	350	350	350	(2) # 4 - 500	(1 or 2) 3/0 - 500
	460	60	269	400	300	300	300	300	# 6 - 400	(1 or 2) 3/0 - 500
	575	60	216	250	250	250	250	250	# 6 - 400	(1) # 6 - 350

See Notes on page 100

YCUL0096 - YCUL0130 (R22 & R407C)

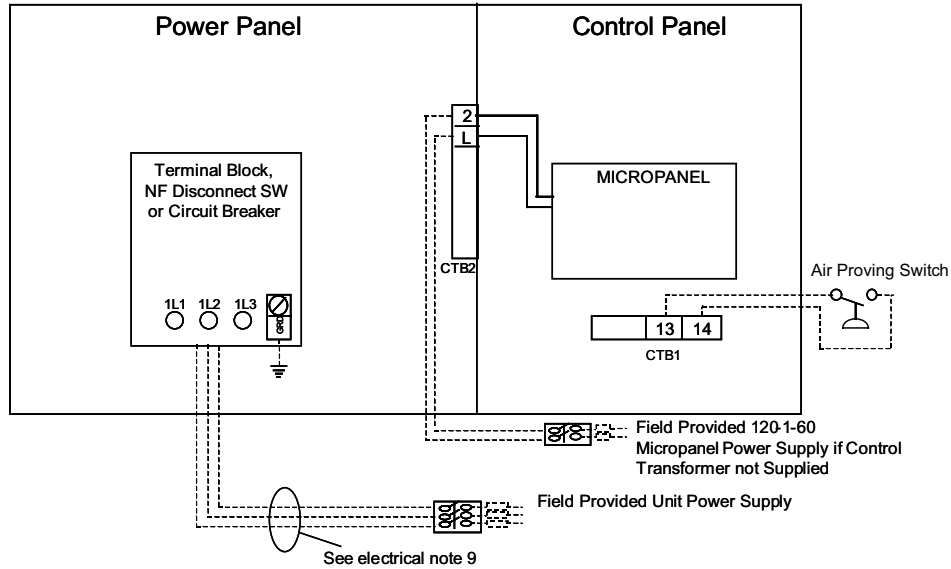
SINGLE-POINT POWER SUPPLY CONNECTIONS WITH INDIVIDUAL SYSTEM CIRCUIT BREAKERS (see Fig. 4)
 (One Field Provided Power Supply Circuit to the condensing unit. Field connections to Factory Provided Terminal Block (optional) or Non-Fused Disconnect Switch (optional). Includes Individual Branch Circuit Protection (Breakers) per electrical system)

SYSTEM #1 COMPRESSOR & FAN								SYSTEM #2 FIELD SUPPLIED WIRING							
COMPR. #1		COMPR. #2		COMPR. #3		FANS		COMPR. #1		COMPR. #2		COMPR. #3		FANS	
RLA	LRA	RLA	LRA	RLA	LRA	QTY	FLA(EA)	RLA	LRA	RLA	LRA	RLA	LRA	QTY	FLA(EA)
100.2	550	100.2	550	—	—	3	8.2	73.9	450	73.9	450	—	—	3	8.2
92.8	550	92.8	550	—	—	3	7.8	68.5	450	68.5	450	—	—	3	7.8
53.5	305	53.5	305	—	—	3	4.8	39.5	260	39.5	260	—	—	3	4.8
44.2	270	44.2	270	—	—	3	4.0	32.6	215	32.6	215	—	—	3	4.0
35.4	210	35.4	210	—	—	3	3.1	26.1	180	26.1	180	—	—	3	3.1
100.2	550	100.2	550	—	—	3	8.2	100.2	550	100.2	550	—	—	3	8.2
92.8	550	92.8	550	—	—	3	7.8	92.8	550	92.8	550	—	—	3	7.8
53.5	305	53.5	305	—	—	3	4.8	53.5	305	53.5	305	—	—	3	4.8
44.2	270	44.2	270	—	—	3	4.0	44.2	270	44.2	270	—	—	3	4.0
35.4	210	35.4	210	—	—	3	3.1	35.4	210	35.4	210	—	—	3	3.1
73.9	450	73.9	450	73.9	450	4	8.2	100.2	550	100.2	550	—	—	4	8.2
68.5	450	68.5	450	68.5	450	4	7.8	92.8	550	92.8	550	—	—	4	7.8
39.5	260	39.5	260	39.5	260	4	4.8	53.5	305	53.5	305	—	—	4	4.8
32.6	215	32.6	215	32.6	215	4	4.0	44.2	270	44.2	270	—	—	4	4.0
26.1	180	26.1	180	26.1	180	4	3.1	35.4	210	35.4	210	—	—	4	3.1
73.9	450	73.9	450	73.9	450	4	8.2	73.9	450	73.9	450	73.9	450	4	8.2
68.5	450	68.5	450	68.5	450	4	7.8	68.5	450	68.5	450	68.5	450	4	7.8
39.5	260	39.5	260	39.5	260	4	4.8	39.5	260	39.5	260	39.5	260	4	4.8
32.6	215	32.6	215	32.6	215	4	4.0	32.6	215	32.6	215	32.6	215	4	4.0
26.1	180	26.1	180	26.1	180	4	3.1	26.1	180	26.1	180	26.1	180	4	3.1
100.2	550	100.2	550	100.2	550	4	8.2	73.9	450	73.9	450	73.9	450	4	8.2
92.8	550	92.8	550	92.8	550	4	7.8	68.5	450	68.5	450	68.5	450	4	7.8
53.5	305	53.5	305	53.5	305	4	4.8	39.5	260	39.5	260	39.5	260	4	4.8
44.2	270	44.2	270	44.2	270	4	4.0	32.6	215	32.6	215	32.6	215	4	4.0
35.4	210	35.4	210	35.4	210	4	3.1	26.1	180	26.1	180	26.1	180	4	3.1

Power Wiring

Single Point Power Supply Wiring – (0016 - 0090)

Figure 1: Single Point Supply Connection – Terminal Block, Non-Fused Disconnect Switch or Circuit Breaker (YCUL0016-0090)



Multi Point Power Supply Wiring – (0046 - 0090)

Figure 2: Multiple Point Power Supply Connection – Terminal Block (YCUL0046-0090)

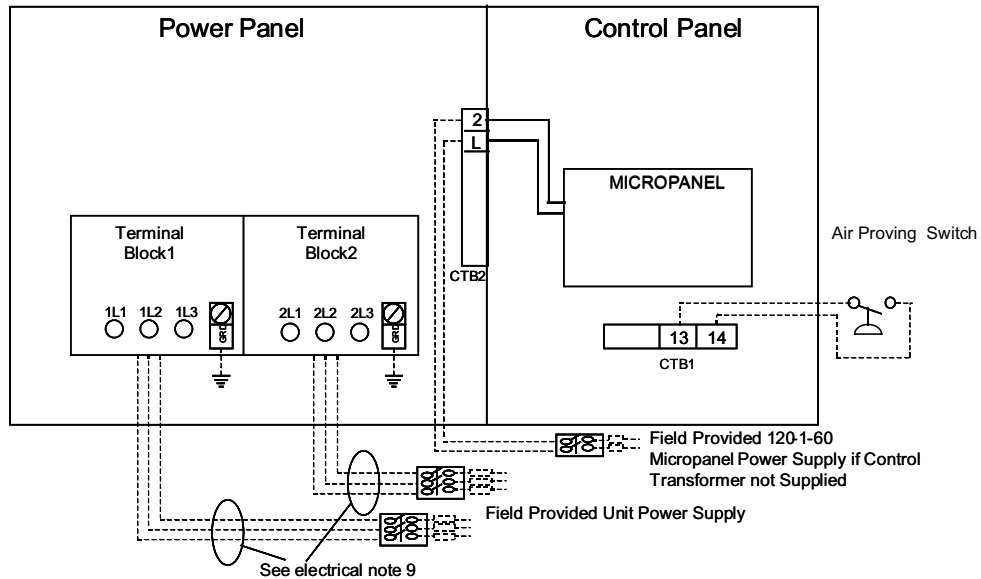
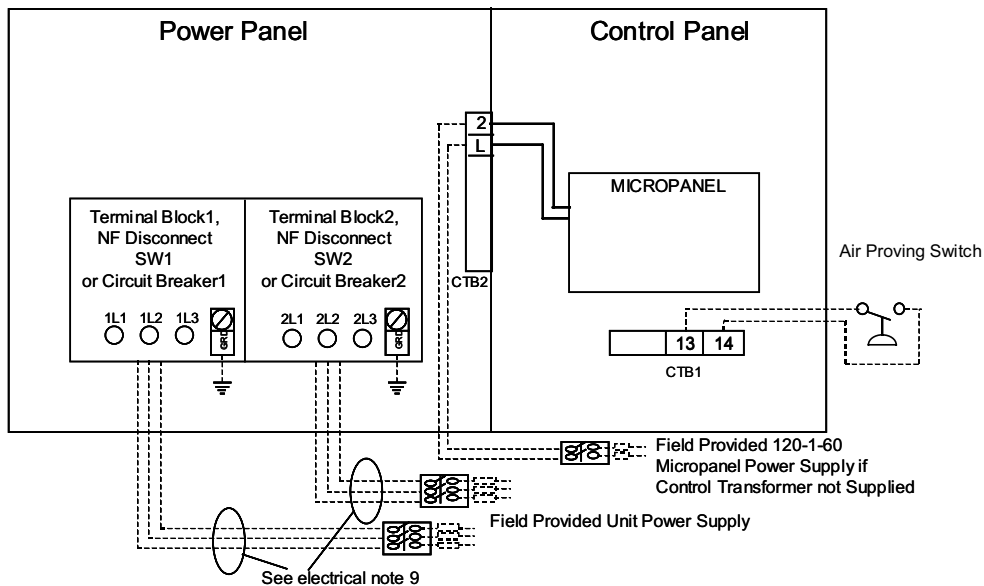


FIG. 2 – SINGLE POINT POWER SUPPLY WIRING

Multi Point Power Supply Wiring – (0096 - 0130)

Figure 3: Multiple Point Power Supply Connection – Terminal Block, Non-Fused Disconnect Switches or Circuit Breakers (YCAL0096-0130)



Single Point Power Supply Wiring – (0096 - 0130)

Figure 4: Single Point Supply Connection – Terminal Block or Non-Fused Disconnect Switch to Individual System Circuit Breakers (YCAL0096-0130)

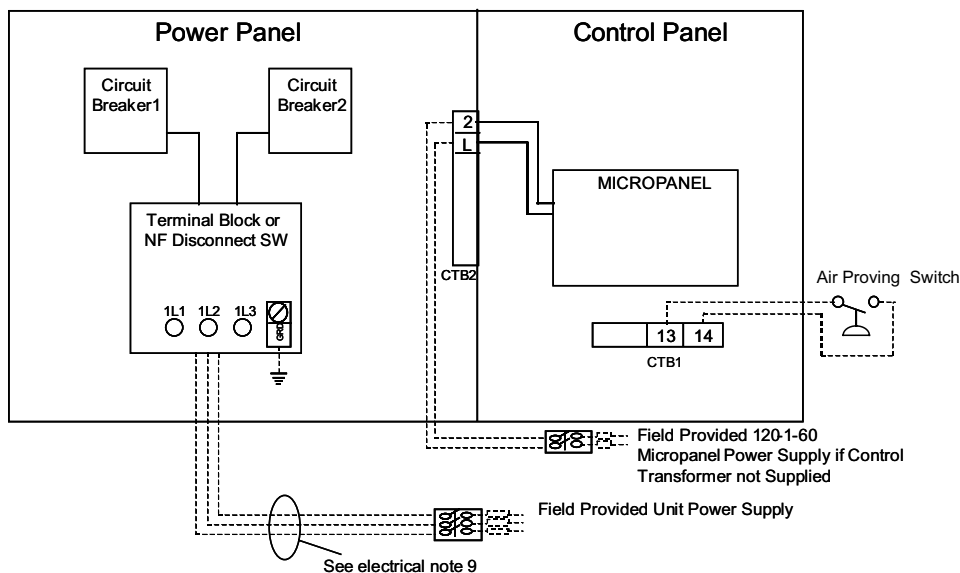
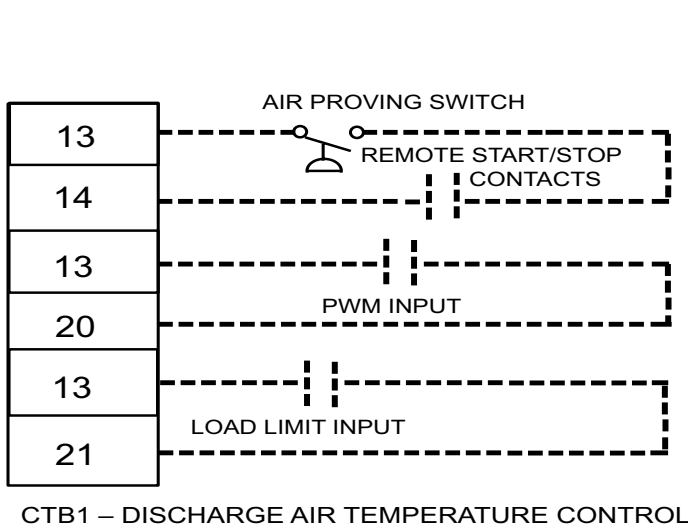
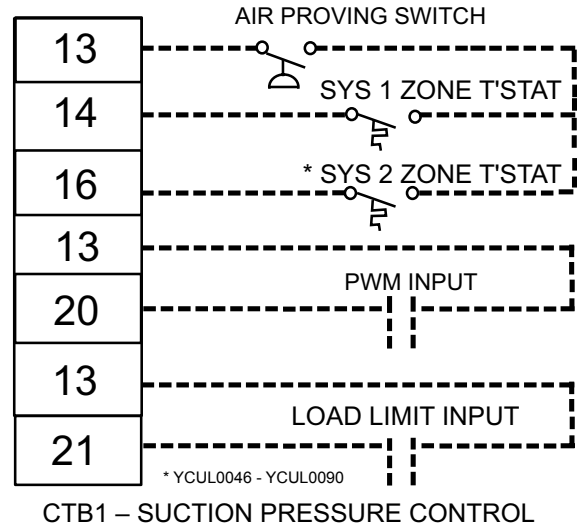


FIG. 3 – MULTI POINT POWER SUPPLY WIRING

Control Wiring

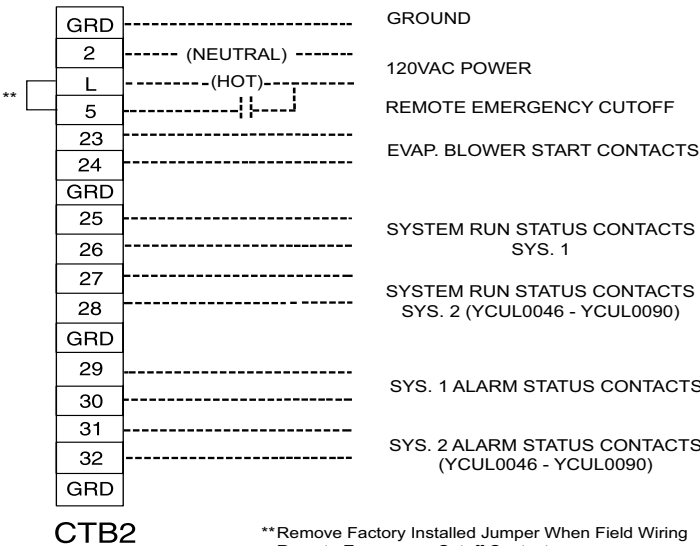


LD04288



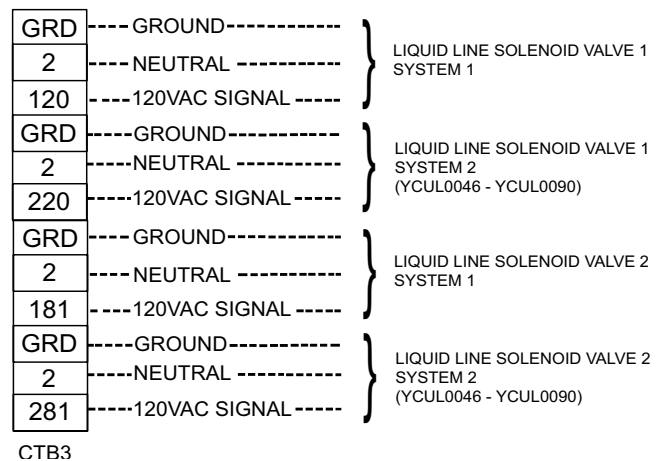
LD04376

FIG. 4 – CTB1 CONTROL PANEL FIELD WIRING



LD04289

FIG. 5 – CTB 2 POWER PANEL FIELD WIRING



LD04290

FIG. 6 – CTB3 POWER PANEL FIELD WIRING

FIG. 4 – OPTIONALSINGLE POINT POWER SUPPLY WIRING

Intentionally left blank

Application Data

UNIT LOCATION

The YCUL Condensing Units are designed for outdoor installation. When selecting a site for installation, be guided by the following conditions:

1. For outdoor locations of the unit, select a place having an adequate supply of fresh air for the condenser.
2. Avoid locations beneath windows or between structures where normal operating sounds may be objectionable.
3. Installation sites may be either on a roof, or at ground level. (See FOUNDATION.)
4. The condenser fans are the propeller-type, and are not recommended for use with duct work in the condenser air stream.
5. When it is desirable to surround the unit(s), it is recommended that the screening be able to pass the required chiller CFM without exceeding 0.1" of water external static pressure.
6. Protection against corrosive environments is available by supplying the units with either copper fin, cured phenolic, or epoxy coating on the condenser coils. The phenolic or epoxy coils should be offered with any units being installed at the seashore or where salt spray may hit the unit.

In installations where winter operation is intended and snow accumulations are expected, additional height must be provided to ensure normal condenser air flow.

Recommended clearances for units are given in DIMENSIONS. When the available space is less, the unit(s) must be equipped with the discharge pressure transducer option to permit high pressure unloading in the event that air recirculation were to occur.

FOUNDATION

The unit should be mounted on a flat and level foundation, ground or roof, capable of supporting the entire operating weight of the equipment. Operating weights are given in the PHYSICAL DATA tables.

ROOF LOCATIONS – Choose a spot with adequate structural strength to safely support the entire weight of the unit and service personnel. Care must be taken not to damage the roof during installation. If the roof is “bonded”, consult the building contractor or architect for special installation requirements. Roof installations should incorporate the use of spring-type isolators to minimize the transmission of vibration into the building structure.

GROUND LEVEL INSTALLATIONS – It is important that the units be installed on a substantial base that will not settle, causing strain on the refrigerant lines and resulting in possible leaks. A one-piece concrete slab with footers extending below the frost line is highly recommended. Additionally, the slab should not be tied to the main building foundation as noises will telegraph.

Mounting holes (11/16" diameter) are provided in the steel channel for bolting the unit to its foundation. See DIMENSIONS.

For ground level installations, precautions should be taken to protect the unit from tampering by or injury to unauthorized persons. Screws on access panels will prevent casual tampering; however, further safety precautions, such as unit enclosure options, a fenced-in enclosure, or locking devices on the panels may be advisable. Check local authorities for safety regulations.

REFRIGERANT PIPING

When sizing refrigerant pipe for split system air conditioning, consideration must be given to the: (1) Suction line pressure drop due to friction, (2) Liquid line pressure drop due to friction, (3) Suction line velocity for oil return, and (4) Liquid line pressure drop due to vertical rise. Refer to DESIGN PARAMETERS for friction losses for both the suction and liquid lines for the condensing unit.

On a system where the evaporator blower is located below the condensing unit, the suction line must be sized for both pressure drop and oil return.

When the condensing unit is located below the evaporator blower, the liquid line must be designed for pressure drop due to friction loss and vertical rise. If the pressure drop due to vertical rise and friction loss exceeds 30 psi, some refrigerant will flash before it reaches the thermal expansion valve.

All horizontal suction lines should be pitched at least 1/4 inch per foot in the direction of the refrigerant flow to aid the return of oil to the compressor. All suction lines with a vertical rise exceeding 3 feet should have a ‘P’ trap at the bottom and the top to facilitate oil return. Suction lines with a vertical rise exceeding 25 feet should be trapped every 15 feet to provide drain points for the oil when the circuit is deactivated. When the circuit is reactivated, oil will return to the compressor more quickly and in smaller slugs.

For more details, refer to ASHRAE Refrigeration Handbook, System Practices for Halocarbon Refrigerants.

Guide Specifications

PART 1 – GENERAL

1.01 SCOPE

- A. The requirements of the General Conditions, Supplementary Conditions, Division 1, and Drawings apply to all Work herein.
- B. Provide Microprocessor controlled, multiple-scroll compressor, air-cooled, condensing units of the scheduled capacities as shown and indicated on the Drawings, including but not limited to:
 1. Condensing Unit package
 2. Electrical power and control connections
 3. DX Central Station Air Handling connections

1.02 QUALITY ASSURANCE

- A. Products shall be Designed, Tested, and installed in compliance with applicable sections of the following Standards and Codes:
 1. ANSI/ASHRAE Standard 15 – *Safety Code for Mechanical Refrigeration*
 2. ASHRAE 90.1 - *Energy efficiency compliance.*
 3. ANSI/NFPA Standard 70 – *National Electrical Code (N.E.C.)*.
 4. Conform to Intertek Testing Services, formerly ETL, for construction of condensing units and provide E.T.L./c E.T.L. Listing label.
 5. Manufactured in facility registered to ISO 9002.
- B. Factory Test: Condensing Unit shall be pressure-tested, evacuated and given a nitrogen holding charge and an initial oil charge, and shall be factory operational run tested to assure each control device operates properly.
- C. Warranty: Manufacturer shall Warrant all equipment and material of its manufacture against defects in workmanship and material for a period of one year from date of initial start-up or eighteen (18) months from date of shipment, whichever occurs first.

1.03 DELIVERY AND HANDLING

- A. Unit shall be delivered to job site fully assembled, and given nitrogen holding charge and a full oil charge by the Manufacturer. (R-22 or HFC-407C supplied by others).
- B. Unit shall be stored and handled per Manufacturer's

instructions.

PART 2 - PRODUCTS

2.01 CONDENSING UNITS MATERIALS AND COMPONENTS

- A. General: Install and commission, as shown on the schedules and plans, factory assembled, charged, and tested air cooled scroll compressor condensing unit as specified herein. Condensing Unit shall be designed, selected, and constructed using a refrigerant with Flammability rating of "1", as defined by ANSI/ASHRAE STANDARD - 34 *Number Designation and Safety Classification of Refrigerants*. Condensing Unit shall include, but is not limited to: a system with a single refrigerant circuit 35 tons (123kW) and below, and not less than two refrigerant circuits above 35 tons (123kW), scroll compressors, air-cooled condenser, refrigerant, lubrication system, interconnecting wiring, safety and operating controls including capacity controller, control center, motor starting components, and special features as specified herein or required for safe, automatic operation.
- B. Cabinet: External structural members shall be constructed of heavy gauge, galvanized steel coated with baked on powder paint which, when subject to ASTM B117, 500 hour, 5% salt spray test, yields minimum ASTM 1654 rating of "6"

2.02 COMPRESSORS

Compressors: Shall be hermetic, scroll-type, including:

1. Compliant design for axial and radial sealing.
2. Refrigerant flow through the compressor with 100% suction cooled motor.
3. Large suction side free volume and oil sump to provide liquid handling capability.
4. Compressor crankcase heaters to provide extra liquid migration protection.
5. Annular discharge check valve and reverse vent assembly to provide low pressure drop, silent shutdown and reverse rotation protection.
6. Initial Oil charge.
7. Oil Level sightglass.
8. Vibration isolator mounts for compressors.
9. Brazed-type connections for fully hermetic refrigerant circuits.

Guide Specifications

2.03 REFRIGERANT CIRCUIT

One (YCUL0016-0040) or two (YCUL0046-0130) independent refrigerant circuits will be furnished on each unit. All unit piping will be copper, with brazed joints. The liquid line will include a field connection shutoff valve with charging port located on each condenser circuit. Suction line connections are provided on each refrigeration circuit. Filter drier and sight glass are shipped loose for field installation on each refrigerant circuit.

All expansion valves and liquid line solenoid valves and refrigerant field piping are supplied by others.

2.04 HEAT EXCHANGERS

A. Air Cooled Condenser:

1. Coils: Internally enhanced, seamless copper tubes, mechanically expanded into aluminum alloy fins with full height collars. Subcooling coil an integral part of condenser. Design working pressure shall be 450 psig (31 bar).
2. Fans: Shall be dynamically and statically balanced, direct drive, corrosion resistant glass fiber reinforced composite blades molded into low noise, full airfoil cross section, providing vertical air discharge from extended orifices for efficiency and low sound. Each fan in its own compartment to prevent cross flow during fan cycling. Guards of heavy gauge, PVC (polyvinyl chloride) coated or galvanized steel.
3. Fan Motors: High efficiency, direct drive, 6 pole, 3 phase, insulation class "F", current protected, Totally Enclosed Air-Over (TEAO), rigid mounted, with double sealed, permanently lubricated, ball bearings.

2.05 CONTROLS

- A. General: Automatic start, stop, operating, and protection sequences across the range of scheduled conditions and transients.
- B. Microprocessor Enclosure: Rain and dust tight NEMA 3R/12 (IP55) powder painted steel cabinet with hinged, latched, and gasket sealed door.
- C. Microprocessor Control Center:
 1. Condensing Unit control can be set for Discharge Air Temperature Control or for Suction Pressure Control. (Note: Suction Pressure Control requires optional Suction Pressure Transducers on Models YCUL0016-0066.)
 2. Automatic control of compressor start/stop, anti-coincidence and anti-recycle timers,

automatic pump-down shut-down, condenser fans, unit alarm contacts, and condensing unit operation from 0°F to 125°F (-18°C to 52°C) ambient. Automatic reset to normal chiller operation after power failure.

3. Discharge air temperature reset via a Pulse Width Modulated (PWM) input signal or up to two steps of demand (load) limiting.
4. Software stored in non-volatile memory, with programmed set-points retained in lithium battery backed real time clock (RTC) memory for minimum 5 years.
5. Forty character liquid crystal display, descriptions in English (or Spanish, French, Italian, or German), numeric data in English (or Metric) units. Sealed keypad with sections for Set-points, Display/Print, Entry, Unit Options & clock, and On/Off Switch.
6. Programmable Set-points (within Manufacturer limits): display language; suction pressure setting and control range, remote reset temperature range, set daily schedule/holiday for start/stop, manual override for servicing, low and high ambient cutouts, number of compressors, low suction pressure cutout, high discharge pressure cutout, anti-recycle timer (compressor start cycle time), and anti-coincident timer (delay compressor starts).
7. Display Data: Suction temperatures (optional), low ambient temperature cutout setting, outdoor air temperature, English or metric data, suction pressure cutout setting, each system suction pressure (optional on YCUL0016-0066 models), discharge pressure (optional), discharge air reset via a YORK ISN DDC or Building Automation System (by others) via PWM input as standard or a 4-20milliamp or 0-10 VDC input or contact closure with optional BAS interface, anti-recycle timer status for each compressor, anti-coincident system start timer condition, compressor run status, no cooling load condition, day, date and time, daily start/stop times, holiday status, automatic or manual system lead/lag control (when controlling based on Discharge Air Temperature only), automatic lead/lag of compressors within a system, compressor starts/operating hours (each), status of hot gas valves, and fan operation, run permissive status, number of compressors running, liquid solenoid valve status, load & unload timer status.
8. System Safeties: Shall cause individual compressor systems to perform auto shut down; manual reset required after the third trip in 90 minutes. Includes: high discharge pressure,

low suction pressure, high pressure switch, and motor protector. Compressor motor protector shall protect against damage due to high input current or thermal overload of windings.

9. Unit Safeties: Shall be automatic reset and cause compressors to shut down if low ambient, or under voltage.
 10. Alarm Contacts: Low ambient, low voltage, low battery, and (per compressor circuit): high discharge pressure, and low suction pressure.
- D. Manufacturer shall provide any controls not listed above, necessary for automatic condensing unit operation. Mechanical Contractor shall provide field control wiring necessary to interface sensors to the condensing unit control system.

2.06 POWER CONNECTION AND DISTRIBUTION

A. Power Panels:

1. NEMA 3R/12 (IP55) rain/dust tight, powder painted steel cabinets with hinged, latched, and gasket sealed outer doors. Provide main power connection(s), control power connections, compressor and fan motor start contactors, current overloads, and factory wiring.
2. Power supply shall enter unit at a single location, be 3 phase of scheduled voltage, and connect to individual terminal blocks per compressor. Separate disconnecting means and/or external branch circuit protection (by Contractor) required per applicable local or national codes.

- B. Exposed compressor, control and fan motor power wiring shall be routed through liquid tight conduit.

2.07 ACCESSORIES AND OPTIONS

Some accessories and options supercede standard product features. Your YORK representative will be pleased to provide assistance.

- A. Microprocessor controlled, Factory installed Across-the-Line type compressor motor starters as standard.

B. Outdoor Ambient Temperature Control

1. Low Ambient Control: Permits unit operation to 0°F ambient. Standard unit controls to 25°F ambient. Low Ambient Control standard on YCUL0096-0130 models.

2. High Ambient Control: Permits unit operation above 115°F ambient.

C. Power Supply Connections:

1. Single Point Power Supply: Single point Terminal Block for field connection and interconnecting wiring to the compressors. Separate external protection must be supplied, by others, in the incoming power wiring, which must comply with the National Electric Code and/or local codes. Single Point Supply option available on YCUL0046-0090 models and standard on YCUL0016 - 0040 models.
2. Single Point or Multiple Point Power Supply with individual System Breakers: Single or Multiple Point Terminal Block(s) for field connection and factory interconnecting wiring to factory supplied system breakers. Available on YCUL0096-0130 models.
3. Single Point or Multiple Point Disconnect: Single or Dual point Non-Fused Disconnect(s) and lockable external handle (in compliance with Article 440-14 of N.E.C.) can be supplied to isolate the unit power voltage for servicing. Separate external fusing must be supplied, by others, in the incoming power wiring, which must comply with the National Electric Code and/or local codes.
4. Single Point Disconnect with Individual System Breakers: Single point Terminal Block with Non-Fused Disconnect and lockable external handle (in compliance with Article 440-14 of N.E.C.) can be supplied to isolate power voltage for servicing. Factory interconnecting wiring from disconnect to factory supplied circuit breakers. Available on YCUL0096-0130 models.
5. Single Point Circuit Breaker: Single point Terminal Block with Circuit Breaker and lockable external handle (in compliance with Article 440-14 of N.E.C.) can be supplied to isolate power voltage for servicing. Incoming power wiring must comply with the National Electric Code and/or local codes. Single Point Circuit Breakers available on YCUL0016-0090 models.

D. Pressure & Temperature Transducers and Sensors

1. Discharge Pressure Transducers: Permits unit to sense and display discharge pressure.
2. Suction Pressure Transducers: Permits unit to sense and display suction pressure. This capability is standard on YCUL0076-0090 models. (This option is required for suction pressure control on models YCUL0016-0066.)
3. Suction Temperature Sensors: Permits units to

Guide Specifications

sense and display suction temperature.

- E. Control Power Transformer: Converts unit power voltage to 120-1-60 (500 VA capacity). Factory mounting includes primary- and secondary-wiring between the transformer and the control panel.
- F. Motor Current Module: Capable of monitoring compressor motor current. Provides extra protection against compressor reverse rotation, phase-loss and phase imbalance. Options consists of one module per electrical system. (Factory mounted)
- G. Power Factor Correction Capacitors: Provided to correct unit compressor factors to a 0.90-0.95.
- H. Condenser Coil Environmental Protection:
 - 1. Pre-Coated: Epoxy coated aluminum fin stock to guard from corrosive agents and insulate against galvanic potential. For mild seashore or industrial locations.
 - 2. Copper Fin: Provide copper fins in lieu of aluminum.
 - 3. Post-Coated Dipped: Dipped-cured coating on condenser coils for seashore and other corrosive applications (with the exception of strong alkalis, oxidizers, and wet bromine, chlorine and fluorine in concentrations greater than 100ppm).
- I. Protective Condensing Unit Panels (Factory or Field Mounted):
 - 1. Louvered Panels (condenser coils only): Painted steel as per remainder of unit cabinet, over external condenser coil faces.
 - 2. Wire Panels (full unit): Heavy gauge, welded wire-mesh, coated to resist corrosion, to protect condenser coils from incidental damage and restrict unauthorized access to internal components.
 - 3. Louvered Panels (full unit): Painted steel as per remainder of unit cabinet, to protect condenser coils from incidental damage, visually screen internal components, and prevent unauthorized access to internal components.
 - 4. Louvered/Wire Panels: Louvered steel panels on external condenser coil faces, painted as per remainder of unit cabinet. Heavy gauge, welded wire-mesh, coated to resist corrosion, around base of machine to restrict unauthorized access.
- J. Service Isolation valves: Service suction and discharge (ball type) isolation valves are added to unit per system. This option also includes a system high pressure relief valve in compliance with ASHRAE 15. (Factory-mounted.)
- K. Hot Gas By-Pass: Permits continuous, stable operation at capacities below the minimum step of unloading to as low as 5% capacity (depending on both the unit & operating conditions) by introducing an artificial load. Hot gas by-pass is available installed on one or both refrigerant circuit(s).
- L. Microprocessor Membrane Keypad Graphics on in lieu of Standard English:
 - 1. French language.
 - 2. German language.
 - 3. Spanish language.
 - 4. Italian language.
- M. Chicago Code Relief Valves to meet Chicago Code requirements.
- N. Building Automation System (EMS) Reset Interface: Condensing Unit to accept 4 to 20mA, 0 to 10 VDC, or discrete contact closure input to reset the discharge air temperature.
- O. Remote Control Panel (Field Mounted): Auxiliary panel for remote user interface for functions normally made at the unit control center. Available on YCUL0016-0090 models.
- P. OptiView Remote Control Panel (Field-mounted) Graphical interface panel to remotely control and monitor up to 8 units
- Q. Sound Reduction (Factory Mounted):
 - 1. Low speed, reduced noise fans
 - 2. Compressor Acoustic Sound Blankets
- R. Vibration Isolation (Field Mounted):
 - 1. Neoprene Pad Isolators.
 - 2. 1 Inch Deflection Spring Isolators: Level adjustable, spring and cage type isolators for mounting under the unit base rails.
 - 3. 2 Inch Deflection Seismic Isolators: Level adjustable, restrained mounts in rugged welded steel housing with vertical and horizontal limit stops. Housings shall be designed to withstand a minimum 1.0g accel-

erated force in all directions to 2 inches.

PART 3 - EXECUTION

3.01 INSTALLATION

- A. General: Rig and Install in full accordance with Manufacturers requirements, Project drawings, and Contract documents.
- B. Location: Locate condensing unit as indicated on drawings, including cleaning and service maintenance clearance per Manufacturer instructions. Adjust and level condensing unit on support structure.
- C. Components: Installing Contractor shall provide and install all auxiliary devices and accessories for fully operational condensing unit.
- D. Electrical: Coordinate electrical requirements and connections for all power feeds with Electrical Contractor (Division 16).
- E. Controls: Coordinate all control requirements and connections with Controls Contractor.
- F. Finish: Installing Contractor shall paint damaged and abraded factory finish with touch-up paint matching factory finish.







P.O. Box 1592, York, Pennsylvania USA 17405-1592
Copyright © by York International Corporation 2002

Form 150.63-EG1 (103)
Supersedes: 150.63-EG1 (502)

Subject to change without notice. Printed in USA
ALL RIGHTS RESERVED
SHU 3M 303 9.92
Codes: DXL, ET2