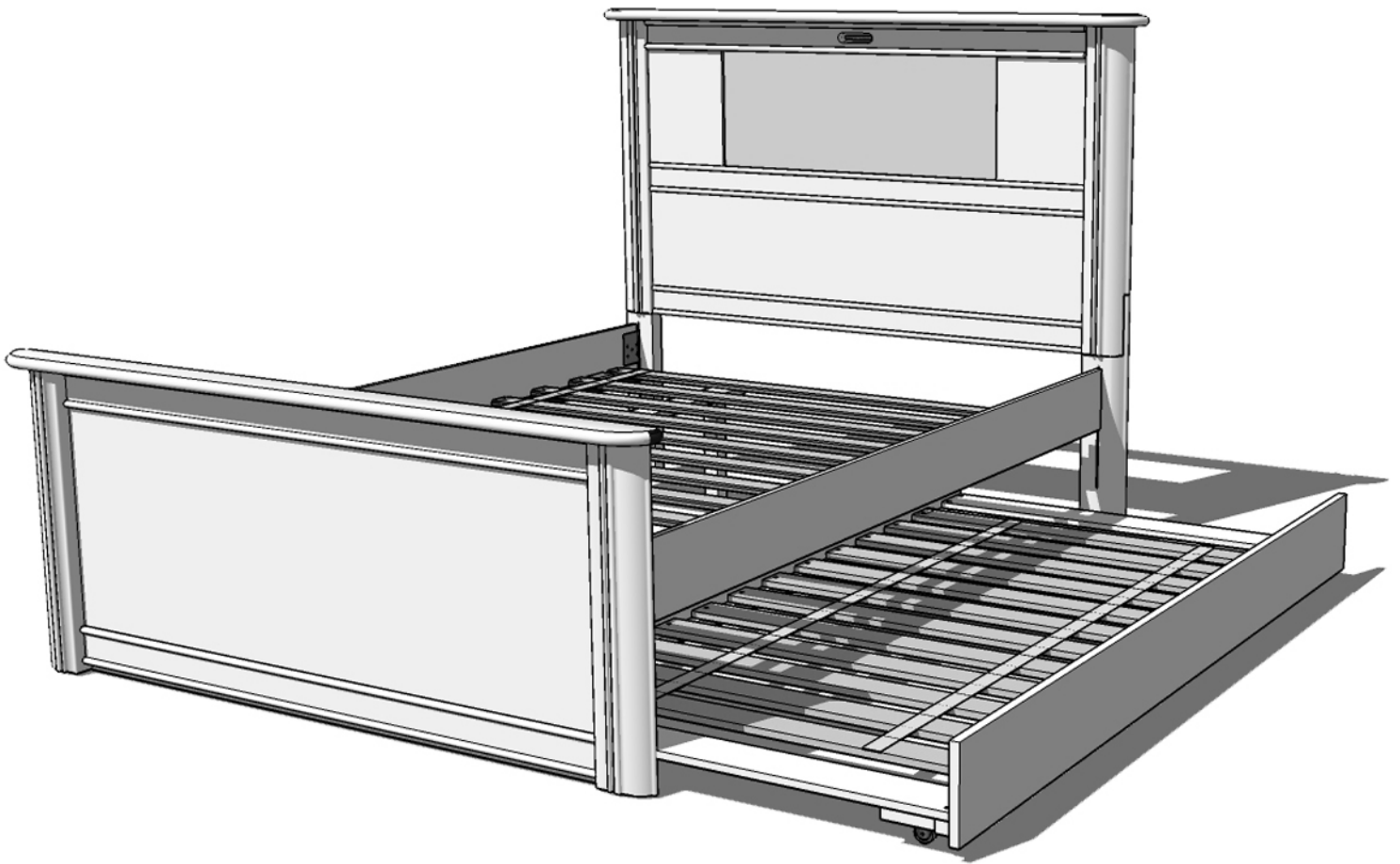


# Assembly Instructions



Model #20338 Riviera Full Size Satin White Finish with Coordinating Trundle Bed

Model #20336 Riviera Full Size Cheshire Cherry Finish with Coordinating Trundle Bed






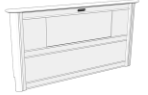
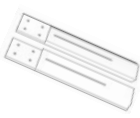


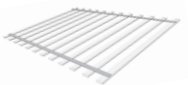







**Before you begin:**

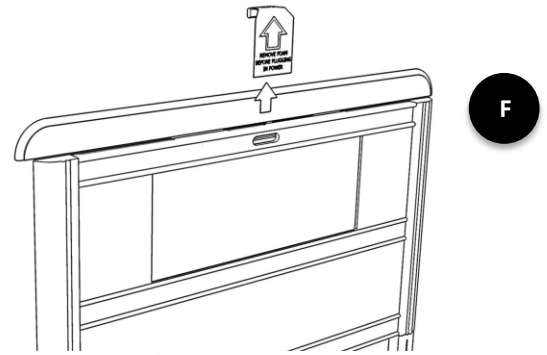
- Consider enlisting a family member or friend to help; it will make assembly easier, faster, and more fun.
- Layout all of the parts listed below.
- Save all packing materials until assembly is complete to avoid accidentally discarding smaller parts or hardware.
- You will need a Phillips head screw driver (not included)

**Parts List**

Part	Description	Quantity
 <b>A</b>	Metal washer (Part# 80000107)	8
 <b>B</b>	Metal lock washer (Part# 80000108)	8
 <b>C</b>	Machine screw (Part# 80000109)	8
 <b>D</b>	Wood screw (Part# 80000110)	24
 <b>E</b>	Allen wrench (Part# 80000111)	1
 <b>F</b>	LightHeaded™ headboard (Part# 80000155 Cheshire Cherry; Part# 80000547 Black; Part# 80000552 White) ships with LightHeaded™ lighting component kit already installed	1
	<b>G</b> Right headboard leg (Part# 80000156 Cheshire Cherry; Part# 80000549 Black; Part# 80000554 White)	1
	<b>H</b> Left headboard leg (Part# 80000157 Cheshire Cherry; Part# 80000548 Black; Part# 80000553 White)	1
 <b>I</b>	Footboard (Part# 80000158 Cheshire Cherry; Part# 80000545 Black; Part# 80000550 White)	1
	<b>J</b> Right side rail (Part# 80000159 Cheshire Cherry; Part# 80000165 Black; Part# 80000171 White)	1
	<b>K</b> Left side rail (Part# 80000160 Cheshire Cherry; Part# 80000166 Black; Part# 80000172 White)	1
 <b>L</b>	Roll-out slats (12 pieces of wood connected with nylon straps) (Part# 80000154)	1
 <b>M</b>	Center support rail for slats (Part# 80000333)	1
 <b>N</b>	Support legs (short and long) for Center support rail (Part# 80000334)	6
 <b>O</b>	LightHeaded™ TechBox contains your remote control, power cord, LightHeaded™ Lighting Instructions (for use and LightHeaded™ Image changing), and most importantly your \$20 LightHeaded™ Image gift coupon (Part# 80000152)	1

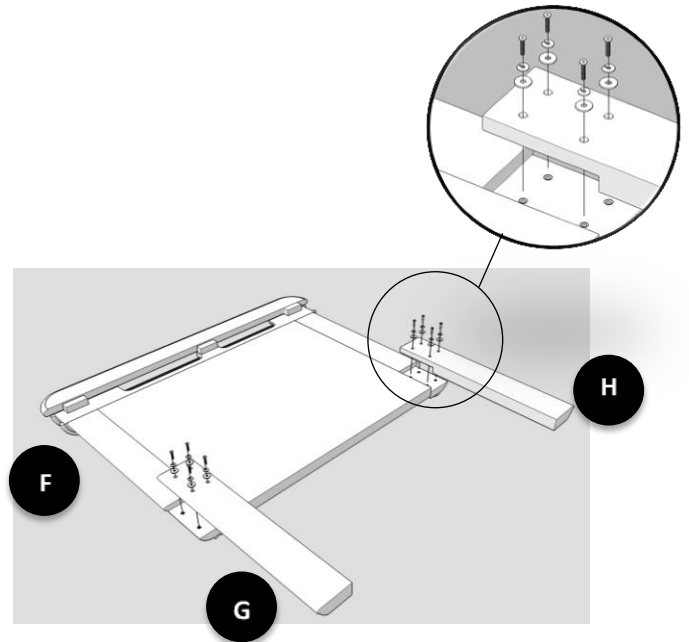
## Step 1

1. Open the hinged top of your LightHeaded™ headboard (F), then remove the protective foam insert and attached paper and discard.
2. Your LightHeaded™ light component is pre-assembled in the headboard and ready to use. Please refer to your LightHeaded™ Lighting Assembly Instructions in the TechBox for information on how to connect power to your light, insert LightHeaded™ Images, general use, and troubleshooting if necessary.



## Step 2

1. With the help of your assistant, gently lay your LightHeaded™ headboard panel face down on a soft surface with the hinged top in the open position.
2. Align left leg (G) with the left side headboard post (F).
3. Align the cutout in the top of the leg with the corresponding cutout in the bottom of the headboard post. The 4 holes in the leg will align with the 4 threaded inserts in the back of your headboard panel.
4. Select 4 metal washers (A), 4 metal lock washers (B), and 4 machine screws (C). Using the Allen wrench supplied (E), tighten screws into legs through the lock washer then washer.
5. Repeat these steps for the right leg (H).



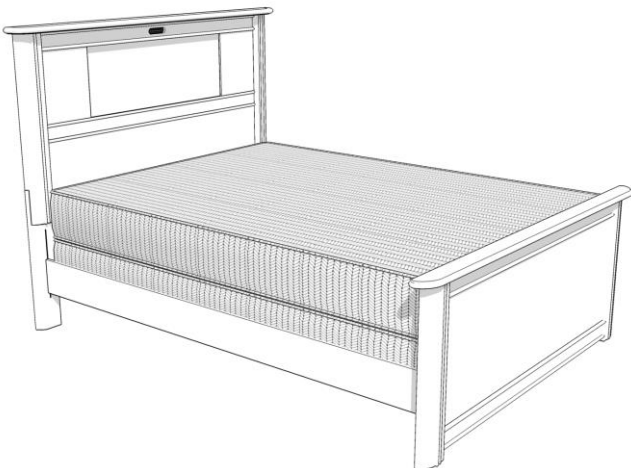
**Box Spring & Mattress**

or

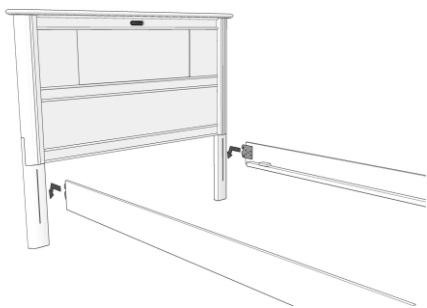
**Mattress only**

### ***It's your choice!***

Your LightHeaded™ bed can be assembled to use a box spring and mattress set or a mattress only. Don't worry, you can change it at any time with a couple simple steps and no tools.

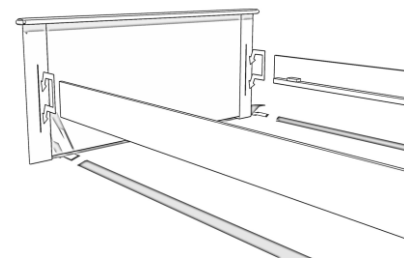


**Step 3**

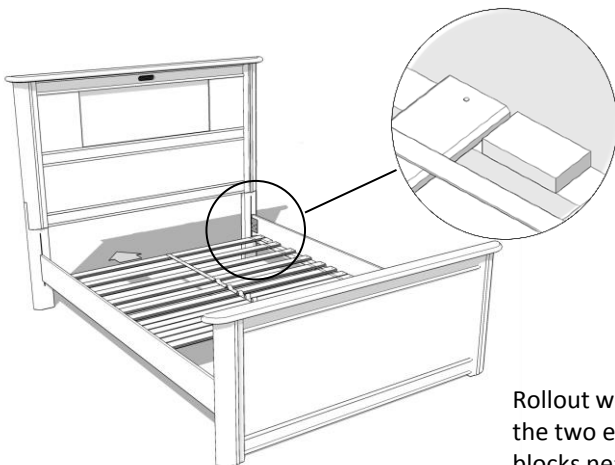


If you're using a box spring and mattress, hook your wooden side rails (J,K) onto the bottom two metal pins in the vertical slot on the headboard and footboard legs.

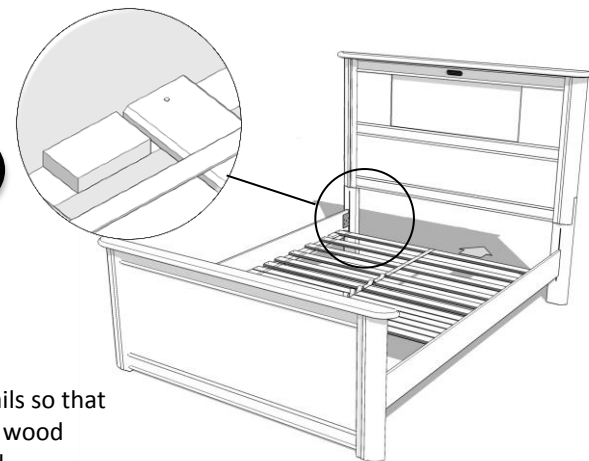
If you're using a mattress only, hook your wooden side rails (J,K) onto the top two metal pins in the vertical slot on the headboard and footboard legs.



**Step 4**



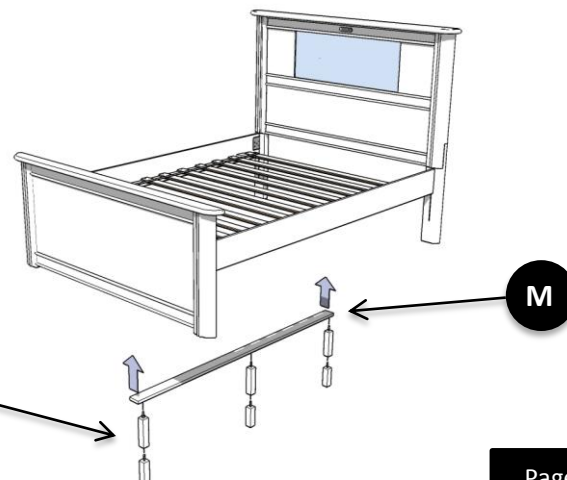
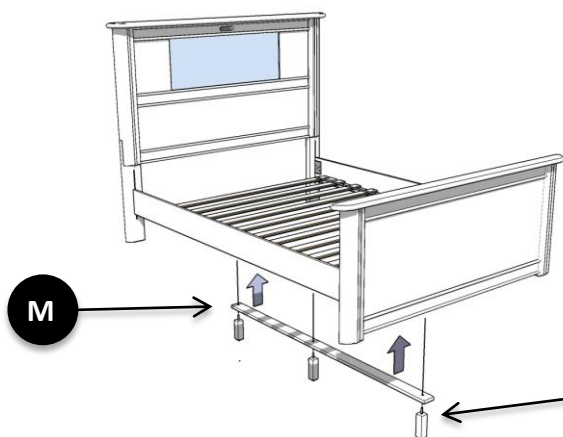
Rollout wooden slats (L) onto your side rails so that the two end slats lock into place with the wood blocks near the headboard and footboard.



**Step 5**

1. If using a box spring and mattress and your side rails have been placed into the bottom two metal pins in the vertical slot on the headboard and footboard legs, choose the short support legs with cap end (N).
2. Have your assistant lift the middle of the wooden slats; align the center support rail from headboard to footboard, using the center set of pre-drilled holes. Screw 1 support leg through the center support rail (M) and into the receiver in the middle wooden slat.
3. Replace the slats and move to the foot of the bed and screw another support leg through the center support rail and into the receiver in the end wooden slat.
4. Repeat with the final support leg at the head of the bed.

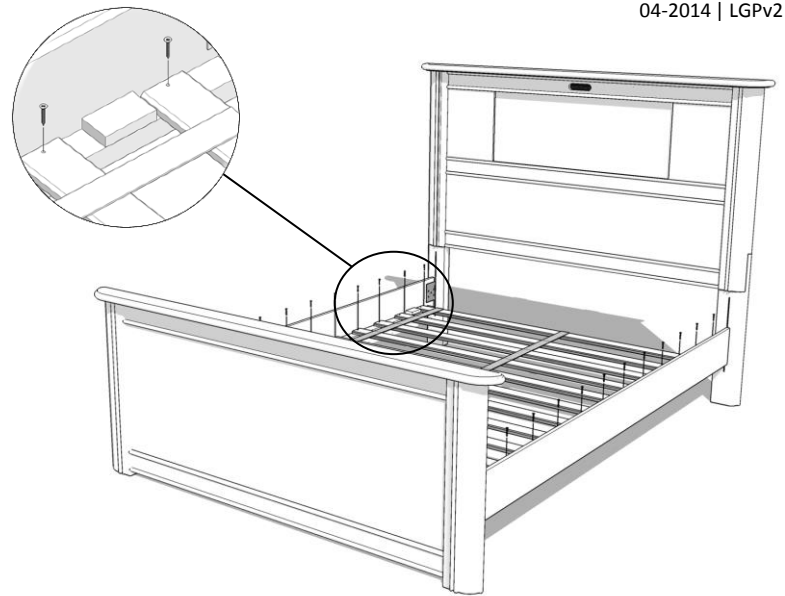
1. If using a mattress only and your side rails have been placed into the top two metal pins in the vertical slot on the headboard and footboard legs, screw 1 long and 1 short support leg (N) together. Repeat to make 3 extended legs.
2. Have your assistant lift the middle of the wooden slats; align the center support rail from headboard to footboard, using the center set of pre-drilled holes. Screw 1 extended leg through the center support rail (M) and into the receiver in the middle wooden slat.
3. Replace the slats and move to the foot of the bed and screw another extended leg through the center support rail and into the receiver in the end wooden slat.
4. Repeat with final extended leg at the head of the bed.



## Step 6

Secure each slat into the side rails with the (D) wood screws using a Phillips head screwdriver (not included).

You have now completed the bed assembly.

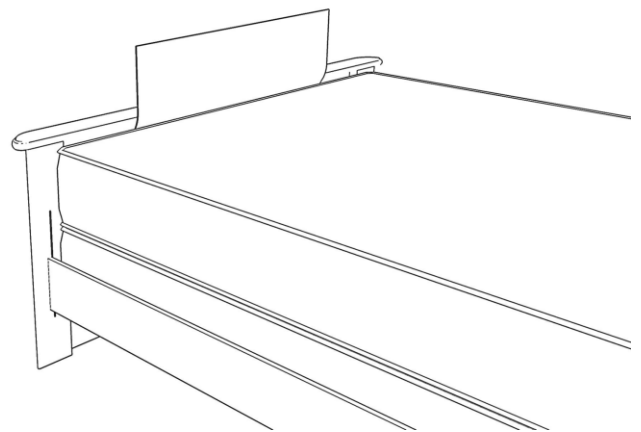


## Display in your headboard. Store in your footboard.

Your LightHeaded™ Bed comes with a built-in image storage on the inside of your footboard. This specially designed area allows you to organize and safely store up to 25 interchangeable LightHeaded™ Images.

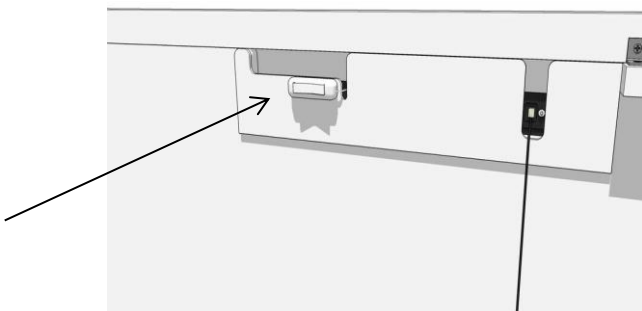
Please refer to the Lighting Assembly Instructions contained in your TechBox. Locate the page titled *Using Your LightHeaded Bed* for instructions to easily remove one LightHeaded™ Image from the headboard and replace it with another.

The LightHeaded™ Image which you just removed from the headboard can now be placed into the storage area in the footboard and your LightHeaded™ Image will be ready for the next time you want to personalize your LightHeaded™ Bed.



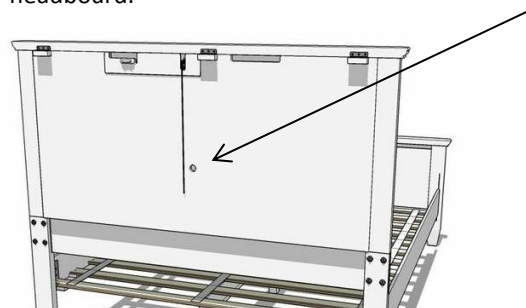
## On/Off switch

On the back of your LightHeaded headboard, located just below the hinged top, is an On/Off switch which can be used to toggle the light component on or off. Please refer to your user manual in the TechBox for additional information.



## Light component positioning hole

If, after review of the Lighting Assembly Instructions contained in the TechBox, you find that your LightHeaded™ Image does not slide in and out of the headboard with little to no resistance, we've provided a 1" diameter hole located in the center of the headboard back panel. With your finger, simply apply gentle pressure to the back of the light component to reposition it, and your LightHeaded™ Image will slide effortlessly in and out of your headboard.

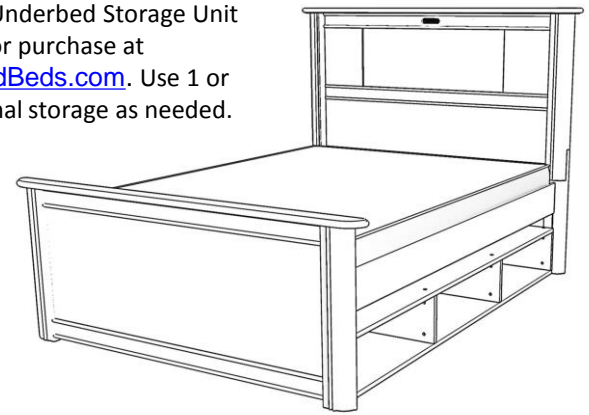


### Trundle



An optional Twin Trundle bed is available for purchase at [LightHeadedBeds.com](http://LightHeadedBeds.com)

### Underbed storage



An optional Underbed Storage Unit is available for purchase at [LightHeadedBeds.com](http://LightHeadedBeds.com). Use 1 or 2 for additional storage as needed.



**Congratulations! Your LightHeaded™ bed is assembled and you are ready for the real fun.**

- Hop online and surf our website [LightHeadedBeds.com](http://LightHeadedBeds.com) where you can apply your \$20 gift coupon toward your first LightHeaded™ Image and personalize your bed.
- Create your own custom images or select from our massive gallery of amazing images including your favorite Disney®, Marvel®, and other super characters.

### One Year Limited Warranty

LightHeaded™ Beds warrants that for a period of one year from the date of purchase, this product will be free from defects in material and workmanship. LightHeaded™ Beds, at its option, will repair or replace the product or any component of the product found to be defective during the warranty period. Replacement will be made with a new or remanufactured product or component. If the product is no longer available, replacement may be made with a similar product of equal or greater value. This is your exclusive warranty.

This warranty is valid for the original retail purchaser from the date of initial retail purchase and is not transferable. Keep the original sales receipt. Proof of purchase is required for warranty service. LightHeaded™ Beds dealers, service centers, or retail stores selling LightHeaded™ Beds products do not have the right to alter, modify, or in any way change the terms and conditions of this warranty.

This warranty does not cover normal wear and tear of parts or damage resulting from any of the following: negligent use or misuse of the product, use on improper voltage or current, use contrary to the operating instructions, electronics disassembly, repair or alteration by anyone other than LightHeaded™ Beds authorized service representatives.

### What are the Limits on LightHeaded™ Beds Liability?

LightHeaded™ Beds shall not be liable for any incidental or consequential damages caused by the breach of any express, implied, or statutory warranty or condition. Except to the extent prohibited by applicable law, any implied warranty or condition of merchantability or fitness for a particular purpose is limited in duration to the duration of the above warranty. LightHeaded™ Beds disclaims all other warranties, conditions or representations, express, implied, statutory or otherwise. LightHeaded™ Beds shall not be liable for any damages of any kind resulting from the purchase, use or misuse of, or inability to use the product including incidental, special, consequential or similar damages or loss of profits, or for any breach of contract, fundamental or otherwise, or for any claim brought against purchaser by any other party.

### How to Obtain Warranty Service

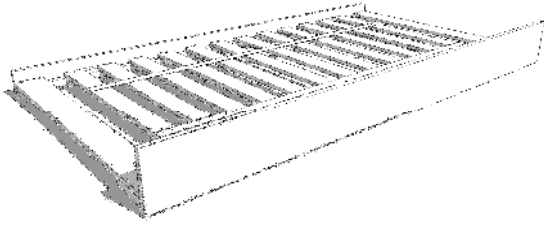
We suggest you complete and return the product registration card that was included with your bed. This will help us to promptly facilitate verification of the date of your original purchase. If you have any questions regarding this warranty or would like to obtain warranty service, please call (435) 565-4490 and a friendly Customer Service Representative will assist you.

### Got questions?

Our friendly LightHeaded™ Customer Service Rep can help you at 435-565-4490 or e-mail us at [info@LightHeadedBeds.com](mailto:info@LightHeadedBeds.com). Assembly videos are available on [You-Tube](http://You-Tube). Thanks from the folks at [www.LightHeadedBeds.com](http://www.LightHeadedBeds.com)



**Before you begin:**














Use a with 6" thick mattress.

- Make sure your bed's side rails are attached to the headboard and footboard posts in the upper position to accommodate this Trundle Bed. This will be the side rail's highest setting.
- Please assemble this Trundle Bed with 2 people.
- Layout all of the parts listed below.
- Save all packing materials until assembly is complete to avoid accidentally discarding smaller parts or hardware.
- You will need a Phillips head screw driver (not included)

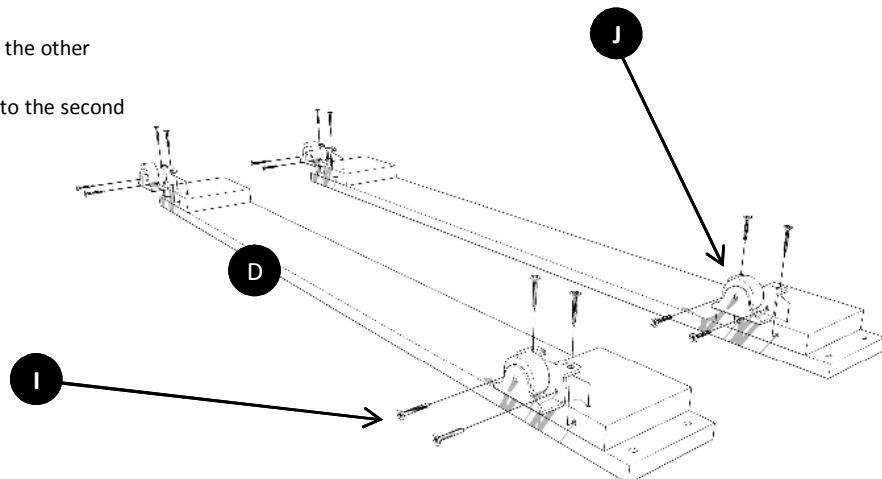
Contact Us | (435) 565-4490 | [info@lighthousebeds.com](mailto:info@lighthousebeds.com)  
| [www.lighthousebeds.com](http://www.lighthousebeds.com) | Assembly videos on YouTube

**Parts List**

Part	Description	Quantity	Part	Description	Quantity
	<b>A</b> Front Panel (Part #80000270 Cheshire Cherry; #80000271 Chocolate; #80000272 Chestnut; #80000273 Black; #80000274 White)	1		<b>F</b> Flat washer for Hex head machine screws	8
	<b>B</b> Back Panel (Part #80000458 Cheshire Cherry; #80000459 Chocolate; #80000460 Chestnut; #80000461 Black; #80000462 White)	1		<b>G</b> Lock washer	8
	<b>C</b> Roll-out slats (mattress support) (Part #80000280)	1		<b>H</b> 1" Wood screws for slats	24
	<b>D</b> End cross braces (#80000275 Cheshire Cherry; #80000276 Chocolate; #80000277 Chestnut; #80000278 Black; #80000279 White)	2		<b>I</b> 3/4" Wood screws for casters	16
	<b>E</b> 1-1/4" Hex head machine screws	8		<b>J</b> Casters (#80000281)	4
				<b>K</b> Allen wrench	1

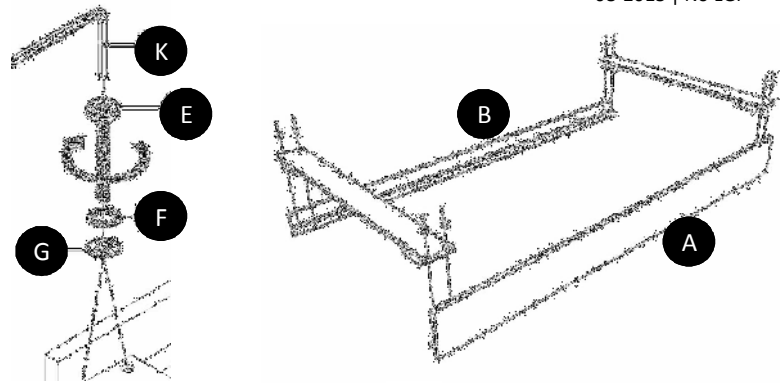
**Step 1**

1. Attach a caster (J) to one end of a cross brace (D) using 2 short (3/4") wood screws (I).
2. Repeat step one to attach another caster to the other end of the same cross brace.
3. Repeat steps one and two to attach casters to the second cross brace.



## Step 2

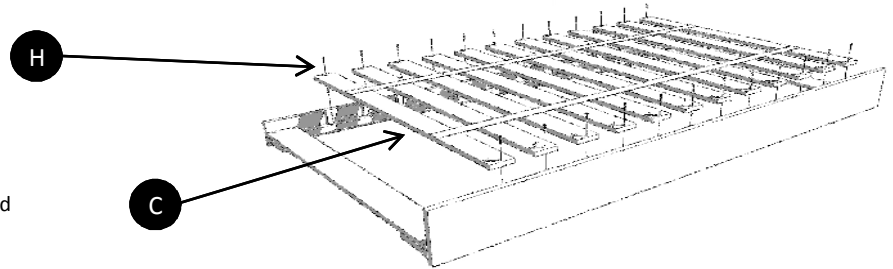
1. Place front panel (A) with cleat near the bottom. Thread together 1 machine screw (E), 1 flat washer (F), and 1 lock washer (G). Place one assembled cross brace (with casters facing down) to the right of wood cleat on the right end of front panel (see detail drawing). Use Allen wrench (K) to tighten.
2. Attach the other end of the assembled cross brace to the back panel (B) using an identical assembly of 1 machine screw, 1 flat washer, and 1 lock washer as in above instruction.
3. Repeat steps one and two above to attach the left end cross brace to front and back panels.



## Step 3

Spread the mattress support roll-out slats (C) on the top of the wood cleat and secure with wood screws (H) through each slat.

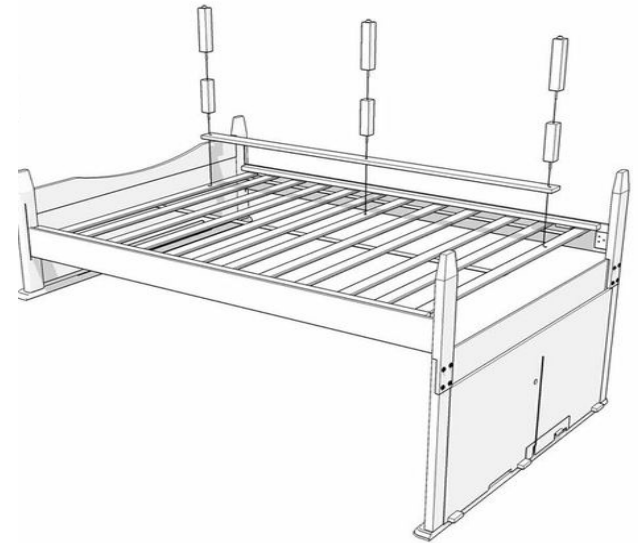
You have now completed the Twin Trundle Bed assembly and can install your 6" mattress and slide under your twin size LightHeaded Bed™.



## For Full size beds (additional assembly adjustments)

**NOTE:** Picture shows bed upside down for reference only. Do not turn your bed upside down.

1. If you have a full size LightHeaded Bed™ you will need to hook the bed's side rails to the top two metal pins in the vertical slots on the headboard and footboard legs. This will be the side rail's highest setting.
2. Next you need to move the center support rail and legs to the left or right setting so you can roll the twin trundle beneath the full size bed. Turn the legs to separate them from the center support rail. You will need to use two legs to correspond with the bed's side rails on the higher setting. (Reference your bed instructions for more detail).
3. Shift the center support rail to align with the threaded t-nuts on the underside of the wood slats. You can use the left of center or right of center holes depending on how you want to set up your trundle bed.
4. Attach the support legs (long and short combined) through the holes in the center support rail and into the threaded t-nuts on the underside of the slats.
5. You have now completed the additional assembly adjustments for your full size bed and you can now install your 6" mattress and slide under your full bed.



## One Year Limited Warranty

LightHeaded™ Beds warrants that for a period of one year from the date of purchase, this product will be free from defects in material and workmanship. LightHeaded™ Beds, at its option, will repair or replace the product or any component of the product found to be defective during the warranty period. Replacement will be made with a new or remanufactured product or component. If the product is no longer available, replacement may be made with a similar product of equal or greater value. This is your exclusive warranty.

This warranty is valid for the original retail purchaser from the date of initial retail purchase and is not transferable. Keep the original sales receipt. Proof of purchase is required for warranty service. LightHeaded™ Beds dealers, service centers, or retail stores selling LightHeaded™ Beds products do not have the right to alter, modify, or in any way change the terms and conditions of this warranty.

This warranty does not cover normal wear and tear of parts or damage resulting from any of the following: Negligent use or misuse of the product, use on improper voltage or current, use contrary to the operating instructions, electronics disassembly, repair or alteration by anyone other than LightHeaded™ Beds authorized service representatives.

## What are the Limits on LightHeaded™ Beds Liability?

LightHeaded™ Beds shall not be liable for any incidental or consequential damages caused by the breach of any express, implied, or statutory warranty or condition. Except to the extent prohibited by applicable law, any implied warranty or condition of merchantability or fitness for a particular purpose is limited in duration to the duration of the above warranty. LightHeaded™ Beds disclaims all other warranties, conditions or representations, express, implied, statutory or otherwise. LightHeaded™ Beds shall not be liable for any damages of any kind resulting from the purchase, use or misuse of, or inability to use the product including incidental, special, consequential or similar damages or loss of profits, or for any breach of contract, fundamental or otherwise, or for any claim brought against purchaser by any other party.

## How to Obtain Warranty Service

We suggest you complete and return the product registration card that was included with your bed. This will help us to promptly facilitate verification of the date of your original purchase. If you have any questions regarding this warranty or would like to obtain warranty service, please call (435) 565-4490 and a friendly Customer Service Representative will assist you.