

This document provides additional assistance with wiring your Extron IP Link enabled product to your device. Different components may require a different wiring scheme than those listed below.

For complete operating instructions, refer to the user's manual for the specific Extron IP Link enabled product or the controlled device manufacturer supplied documentation.

Device Specifications:

Device Type: Video Projector
Manufacturer: Optoma
Firmware Version: N/A
Model(s): W402, X402

Version History:

Driver Version	Date	IP Link Compiler	GC Version	Notes
4	2/4/2015	1.6.0	3.5.2	Renamed IR to VESA in 3D Mode command. Added Device ID, Lamp Mode, Filter Usage and Volume (Discrete).
3	1/21/2015	1.6.0	3.5.2	Fixed Lamp Hour and 3D Sync Invert.
2	7/18/2014	1.6.0	3.5.2	Extron certified version. Tested on X402. Added Off to 3D Mode. Removed 3D from Display Mode.
1	7/11/2014	1.6.0	3.5.2	Initial Extron certified version. Tested on X402.

Driver Notes:

- The default device ID is set to 1. When Device ID is set to 'Broadcast', status is unavailable.
- This Driver has been optimized for Volume.

Control Commands & States:

3D Format	Auto Frame Sequential	SBS	Top and Bottom
3D Mode	DLP-Link	VESA	Off
3D Sync Invert	On	Off	
3D to 2D	3D	L	R
Aspect Ratio	4:3 Auto	16:9 Letterbox	Native 16:10
Audio Mute	On	Off	
Auto Image	Execute		
AV Mute	On	Off	
Closed Caption	CC1	CC2	Off
Device ID	Broadcast	1-99	
Display Mode	Presentation sRGB User	Bright Blackboard 3D	Movie DICOM
Executive Mode	On	Off	
Freeze	On	Off	
Input	HDMI VGA 2	VGA 1 VGA 2 Component	VGA 1 Component Video
Lamp Mode	Bright Dynamic	Eco 1	Eco 2
Menu Navigation	Up Right	Down Menu	Left Enter
Power Control	On	Off	
Volume (Discrete)	0 to 10 in steps of 1		
Volume (Step)	Up	Down	

Status Available:

Aspect Ratio	4:3 Auto	16:9 ¹ Letterbox	Native
Connection Status	Connected	Disconnected	Status Unavailable
Display Mode	Presentation sRGB User	Bright Blackboard 3D	Movie DICOM
Filter Usage	Hours		
Input	HDMI VGA 2	VGA 1 VGA 2 Component	VGA 1 Component Video
Lamp Usage	Hours		
Power Control	On	Off	
Power Status	On	Off	Status Unavailable
Volume (Discrete)	0 to 10 in steps of 1		

¹ Equals to 16:10 if the screen type is set to 16:10.

MLC60 Series Supported Commands:

3D Format	Auto Frame Sequential	SBS	Top and Bottom
3D Mode	DLP-Link	VESA	Off
3D Sync Invert	On	Off	
3D to 2D	3D	L	R
Aspect Ratio	4:3 Auto	16:9 Letterbox	Native 16:10
Audio Mute	On	Off	
Auto Image	Execute		
AV Mute	On	Off	
Closed Caption	CC1	CC2	Off
Display Mode	Presentation sRGB User	Bright Blackboard 3D	Movie DICOM
Executive Mode	On	Off	
Freeze	On	Off	
Input	HDMI VGA 2	VGA 1 VGA 2 Component	VGA 1 Component Video
Lamp Mode	Bright Dynamic	Eco 1	Eco 2
Menu Navigation	Up Right	Down Menu	Left Enter
Power Control	On	Off	
Volume (Discrete)	0 to 10 in steps of 1		
Volume (Step)	Up	Down	

*Device ID is set to 1 for MLC 60 Series

Cable and Adapter Requirements:

F/F DB9 RS232 straight serial cable.

Notes for the Device:

The Display Mode will work only if the 3D Mode is set to OFF.

Serial communication:

Port Type: RS-232

Baud Rate: 9600

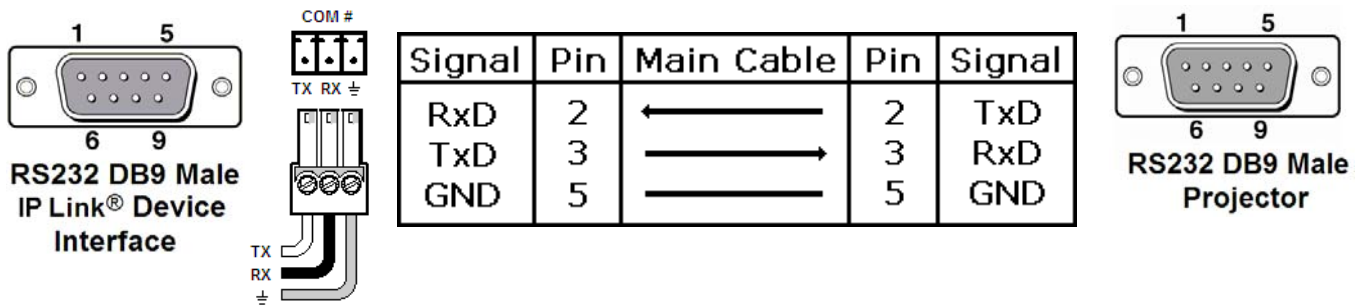
Data Bits: 8

Parity: None

Stop Bits: 1

Flow Control: None

Pin Assignments Diagram:



Note: Captive screw connector may also be used as a serial connection.

General Notes: