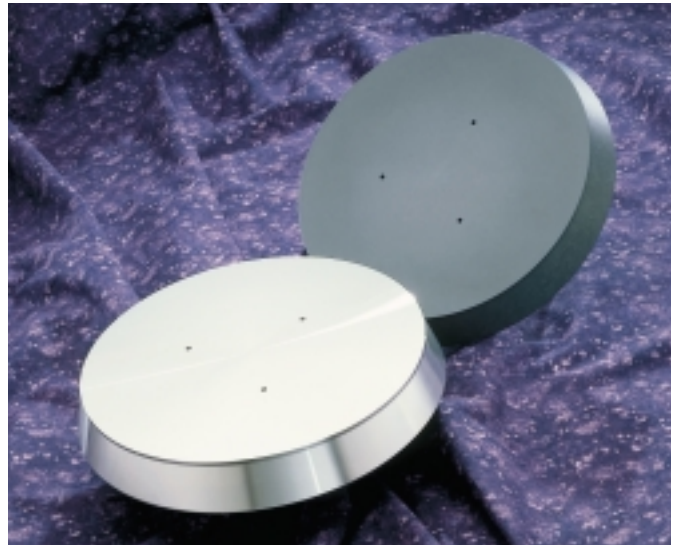


Standard Aluminum Pedestal Heaters Provide a Quick, Cost-Effective Cast-in Solution



Watlow now has 200 mm aluminum pedestal heaters in stock to quickly solve wafer fabrication needs. Customers can now save thousands of dollars with off-the-shelf designs since there are no additional costs for engineering, tooling or mold creation. Watlow's pedestal heater design is ideal for prototype machine trials or engineering experiments as well as temporary repairs until custom heaters can be manufactured.

Watlow's pedestal heaters provide a complete turnkey solution available in anodized or bare 356 aluminum with optional add-on features.

The stock anodized cast aluminum pedestal heaters are complete, ready-to-install parts and are available for same day shipment. The bare special configured model can be customized from a list of options and is available with one to two week delivery depending on options selected.

Stock and configured pedestal heaters are manufactured by Watlow's ISO 9001 registered facility in Batavia, Illinois.

Features and Benefits

Overnight delivery from stock

- Ready-to-install heated part
- Cost-effective, no tooling or engineering costs
- Reduces downtime
- Supports 200 mm wafer processing

Operating temperatures up to 400°C

- World class performance

Temperature uniformity

- $\pm 1.0^{\circ}\text{C}$ at 150°C



1310 Kingsland Drive
Batavia, Illinois 60510 USA
Phone: 630-879-2696
FAX: 630-879-1101
Internet: www.watlow.com
e-mail: info@watlow.com



BAT-STA-60



Specifications

Model WR200-1A (Anodized)

- **Material:** A356 aluminum alloy
- **Diameter:** 8.93 in (226.8 mm)
- **Thickness:** 1.25 in (31.75 mm)
- **Surface flatness:** <.0005 in (0.0127 mm)
- 3 lift pin holes .125 in (31.75 mm) dia. @ 120° on 3.25 in (82.55 mm) dia. bolt circle
- 1 thermocouple hole .063 in (1.6002 mm) dia.
- 1285W, 208V center exit (1711W/ 240V max.)
- **Temperature uniformity:** ±1° @ 150°C
- **Hard anodize thickness:** .0015 in (0.0381 mm) per MIL-A-8625, Type III, Class 1
- **Cleaning:** IPA wipe down

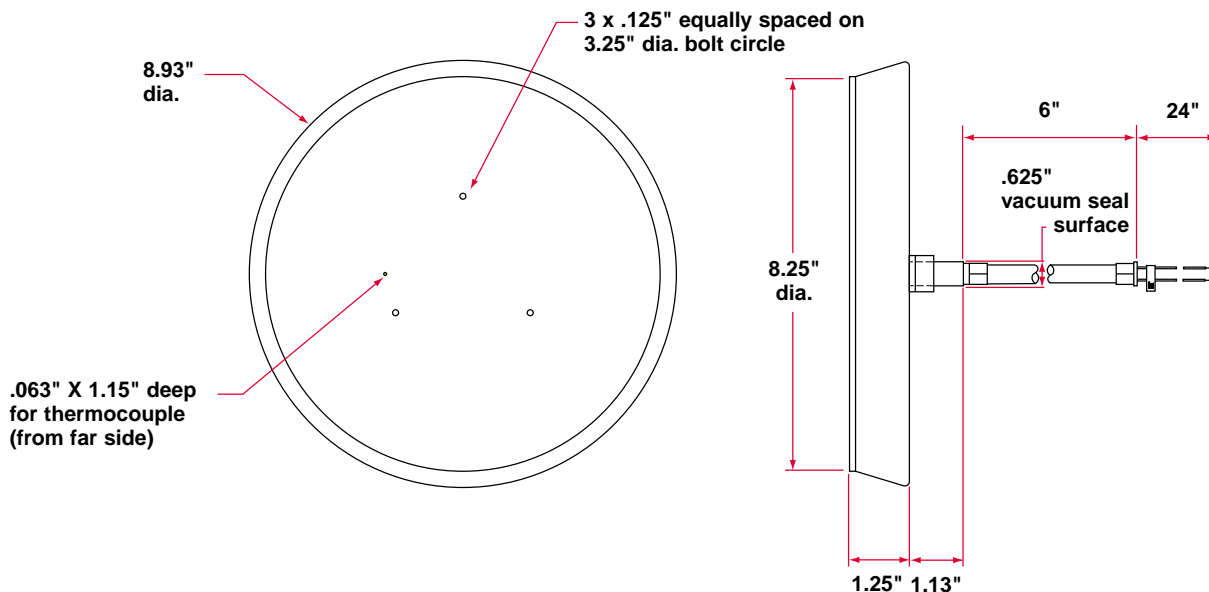
Model WR200-1B (Bare)

- **Material:** A356 aluminum alloy
- **Diameter:** 8.93 in (226.8 mm)
- **Thickness:** 1.25 in (31.75 mm)
- **Surface flatness:** <.0005 in (0.0127 mm)
- 1285W, 208V center exit (1711W/ 240V max.)
- **Temperature uniformity:** ±1° @ 150°C
- **Cleaning:** IPA wipe down

Options (available for model WR200-1B)

- 3 proximity pins .006 in (0.1524 mm) high
- 3 lift pin holes .125 in (31.75 mm) dia. @ 120°
- 1 thermocouple hole .063 in (1.6002 mm) dia.
- **Hard anodize thickness:** .0015 in (0.0381 mm) per MIL-A-8625, Type III, Class 1
- **Precision cleaning:** backfill N₂
- Contact your local Watlow sales engineer or the factory to discuss any special options that may be required.

Standard Design



Note: Specifications and prices are subject to change without notice.

United States Sales Offices: Atlanta/Greenville, (770)908-9164 • Austin, (512)249-1900 • Charlotte/Columbia, (704)541-3896 • Chicago, (847)458-1500 • Cincinnati, (513)398-5500 • Cleveland, (330)467-1423 • Dallas, (972)620-6030 • Denver, (303)798-7778 • Detroit, (248)651-0500 • Houston, (281)440-3074 • Indianapolis, (317)575-8932 • Kansas City, (913)897-3973 • Los Angeles, (714)935-2999 • Maryland/Virginia, (410)840-8034 • Minneapolis, (612)431-5700 • Nashville, (615)264-6148 • New England, (603)882-1330 • New York/New Jersey/Philadelphia, (215)345-8130 • New York, Upstate, (716)438-0454 • Orlando, (407)351-0737 • Phoenix, (602)708-1995 • Pittsburgh, (412)322-5004 • Portland, (503)245-9037 • St. Louis, (314)878-4600 • Sacramento, (707)425-1155 • San Diego, (760)728-9188 • San Francisco, (408)980-9355 • Seattle, (425)222-4090 • Tampa/St. Petersburg, (813)926-3600 • Tulsa, (918)496-2826 • Winston Salem/Raleigh, (336)766-9659 • Wisconsin, (414)723-5990

Asian Sales Offices: Australia, +61 (3) 9335-6449 • China, +86 (21) 6229-8917 • Japan, +81 (03) 5403-4688 • Korea, +82 (02) 563-5777 • Malaysia, +60 (4) 641-5977 • Singapore, +65 777-5488 • Taiwan, +886 (0) 7-261-8397 **European Sales Offices:** France, +33 (01) 3073-2425 • Germany, +49 (0) 7253-9400-0 • Italy, +39 (02) 458-8841 • United Kingdom, +44 (0) 115-964-0777

Latin American Sales Office: Mexico, +52 (42) 17-6235

For other product information, call Watlow's FAX REPLY: United States +1 (800) 367-0430 • Outside the United States +1 (732) 885-6344