

ICB103 Bluetooth Speaker with Clock

IMPORTANT SAFETY INSTRUCTIONS

1. Read these Instructions.
2. Keep these Instructions.
3. Follow all Warnings.
4. Follow all instructions.
5. Do not use this apparatus near water.
6. Clean only with a dry cloth.
7. Do not block any ventilation openings. Install in accordance with the manufacturer's instructions.
8. Do not install near any heat sources such as radiators, heat registers, stoves, or other apparatus (including amplifiers) that produce heat.
9. Do not defeat the safety purpose of the polarized or grounding-type plug. A polarized plug has two blades with one wider than the other. A grounding type plug has two blades and a third grounding prong. The wide blade or the third prong are provided for your safety. When the provided plug does not fit into your outlet, consult an electrician for replacement of the obsolete outlet.
10. Protect the power cord from being walked on or pinched particularly at plugs, convenience receptacles, and the point where they exit from the apparatus.
11. Only use attachments/accessories specified by the manufacturer.
12. Use only with a cart, stand, tripod, bracket, or table specified by the manufacturer, or sold with the apparatus. When a cart is used, use caution when moving the cart/apparatus combination to avoid injury from tip-over. Unplug this apparatus during lightning storms or when unused for long periods of time.
13. Refer all servicing to qualified service personnel. Servicing is required when the apparatus has been damaged in any way, such as power-supply cord or plug is damaged, liquid has been spilled or objects have fallen into the apparatus, the apparatus has been exposed to rain or moisture, does not operate normally, or has been dropped.



FCC Warnings

Warning: Changes or modifications to this unit not expressly approved by the party responsible for compliance could void the user's authority to operate the equipment.

NOTE: This equipment has been tested and found to comply with the limits for a Class B digital device, pursuant to Part 15 of the FCC Rules. These limits are designed to provide reasonable protection against harmful interference in a residential installation. This equipment generates, uses, and can radiate radio frequency energy and, if not installed and used in accordance with the instructions, may cause harmful interference to radio communications. However, there is no guarantee that interference will not occur in a particular installation. If this equipment does cause harmful interference to radio or television reception, which can be determined by turning the equipment off and on, the user is encouraged to try to correct the interference by one or more of the following measures:

- Reorient or relocate the receiving antenna.
- Increase the separation between the equipment and receiver.
- Connect the equipment into an outlet on a circuit different from that to which the receiver is connected.
- Consult the dealer or an experienced radio/TV technician for help.

Additional Warnings

- The apparatus shall not be exposed to dripping or splashing and that no objects filled with liquids, such as vases, shall be placed on apparatus.
L'appareil ne doit pas être exposé aux écoulements ou aux éclaboussures et aucun objet ne contenant de liquide, tel qu'un vase, ne doit être placé sur l'objet.
- Main plug is used as disconnect device and it should remain readily operable during intended use. In order to disconnect the apparatus from the mains completely, the mains plug should be disconnected from the mains socket outlet completely.
La prise du secteur ne doit pas être obstruée ou doit être facilement accessible pendant son utilisation. Pour être complètement déconnecté de l'alimentation d'entrée, la prise doit être débranchée du secteur.
- Battery shall not be exposed to excessive heat such as sunshine, fire or the like.
Les piles ne doivent pas être exposées à de forte chaleur, tel qu'à la lumière du soleil, au feu ou autres choses de semblable.
- Caution marking is located at the rear or bottom of the apparatus.
Attention marquage est situé sur le panneau arrière ou inférieur de l'unité.
- The marking information is located at the rear or bottom of apparatus.
Le marquage est situé sur le panneau arrière ou inférieur de l'unité.

WARNINGS AND PRECAUTIONS

- **CAUTION:** TO PREVENT ELECTRIC SHOCK, MATCH WIDE BLADE OF PLUG TO WIDE SLOT, FULLY INSERT.
- **WARNING:** To reduce the risk of fire or electric shock, do not expose this apparatus to rain or moisture.
- **AVERTISSEMENT:** Pour réduire le risque d'incendie ou de choc électrique, ne pas exposer cet appareil sous la pluie et l'humidité.
- **CAUTION:** Use of controls or adjustments or performance of procedures other than those specified may result in hazardous radiation exposure.
- **WARNING:** Changes or modifications to this unit not expressly approved by the party responsible for compliance could void the user's authority to operate the equipment.
- **WARNING:** Do not place this unit directly onto furniture surfaces with any type of soft, porous, or sensitive finish. As with any rubber compound made with oils, the feet could cause marks or staining where the feet reside. We recommend using a protective barrier such as a cloth or a piece of glass between the unit and the surface to reduce the risk of damage and/or staining.
- **WARNING:** Use of this unit near fluorescent lighting may cause interference regarding use of the remote. If the unit is displaying erratic behavior move away from any fluorescent lighting, as it may be the cause.
- **WARNING:** Shock hazard - Do Not Open.
- **AVIS: RISQUE DE CHOC ÉLECTRIQUE - NE PAS OUVRIR**
Mains plug is used as disconnect device and it should remain readily operable during intended use. In order to disconnect the apparatus from the mains completely, the mains plug should be disconnected from the mains socket outlet completely.
*La prise du secteur est utilisé pour déconnecter le système.
La prise du secteur ne doit pas être obstruée ou doit être facilement accessible pendant son utilisation. Pour être complètement déconnecté de l'alimentation d'entrée, la prise doit être débranchée du secteur.*



WARNING: TO REDUCE THE RISK OF ELECTRIC SHOCK, DO NOT REMOVE COVER (OR BACK). NO USER-SERVICEABLE PARTS INSIDE. REFER SERVICING TO QUALIFIED SERVICE PERSONNEL.



The lightning flash with arrowhead symbol, within an equilateral triangle, is intended to alert the user to the presence of uninsulated "dangerous voltage" within the product's enclosure that may be of sufficient magnitude to constitute a risk of electric shock to persons.



The exclamation point within an equilateral triangle is intended to alert the user to the presence of important operating and maintenance (servicing) instructions in the literature accompanying the appliance.

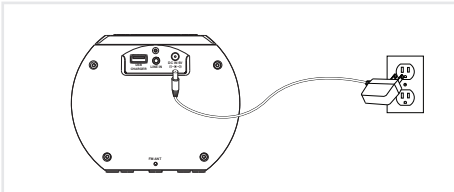


This symbol indicates that this product incorporates double insulation between hazardous mains voltage and user accessible parts.

Introduction and Setup

Power

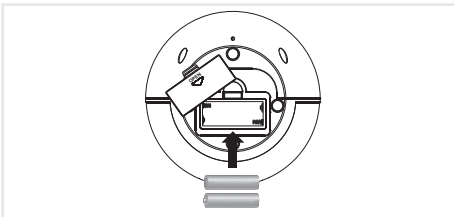
Plug the included AC/DC power adapter into the **DC POWER INPUT** on the dock and an AC power outlet to power the dock.



Battery Backup

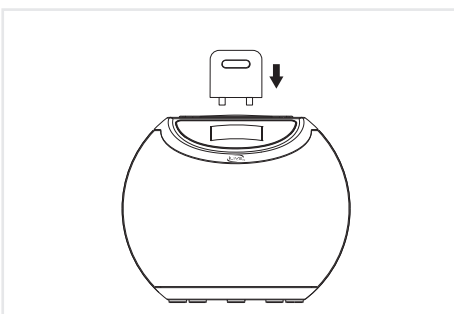
The battery backup is intended for short power outages only. The clock radio's primary functions cannot run off of the battery backup alone.

Requires 2, AAA-size, batteries (not included)



Stand

Insert the stand into the corresponding holes.



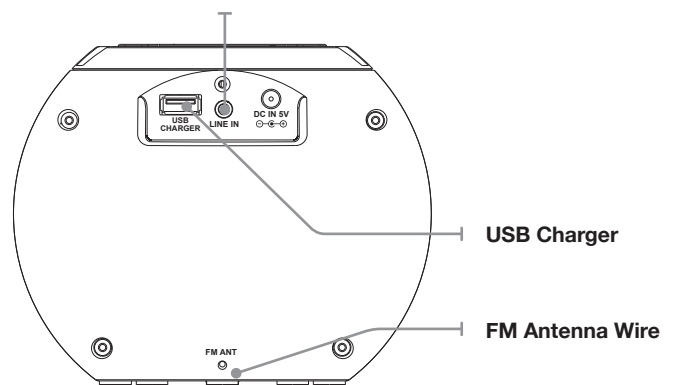
Tune +/-
Press to tune the radio in FM Radio Mode. Press and hold to search for the next available frequency.

Power
Press to turn the unit on or off.

Dimmer/Play/Pause/Mem +
Press and hold to adjust the brightness of the display. Press to play or pause a track in Bluetooth mode. In FM Radio Mode, press to cycle through preset radio stations.

Snooze/Sleep
Press to set the sleep timer. Press to delay the alarm.

Line In



Volume
Press to adjust the volume.

Source
Press to switch between Bluetooth, FM Radio, and Line In modes.

M/Clk/Ala 1/2/Pair
In FM Radio mode, press to begin saving the current radio station as a preset. Press and hold to autosave preset channels. In Off mode, press and hold to begin setting the clock. Press to begin setting the alarm. Press to begin pairing a Bluetooth device in Bluetooth mode.

USB Charger

FM Antenna Wire

Clock and Sleep Timer

Setting the Clock

1. Press the **Power** button to turn the unit off.
2. Press and hold the **M/Cik/Ala 1/2/Pair** button until the display begins to blink, then release the button.
3. Press the **Tun+/-** button to adjust the hour.
4. Press the **M/Cik/Ala 1/2/Pair** button.
5. Press the **Tun+/-** button to adjust the minute.
6. Press the **M/Cik/Ala 1/2/Pair** button to finish setting the time.

Setting the Sleep Timer

1. Press the **Power** button to turn the unit on.
2. Press the **Snooze/Sleep** button repeatedly to set the sleep timer (90, 80, 70, 60, 50, 40, 30, 20, 10, 5, 3 min or OFF).
3. Once the set sleep time has expired the unit will automatically power off.

Alarm

Setting the Alarm

1. Press the **Power** button to turn the unit off.
2. Press the **M/Cik/Ala 1/2/Pair** button to select Alarm 1 or Alarm 2.
3. To begin setting the selected alarm, press and hold the **M/Cik/Ala 1/2/Pair** button until the display begins to blink, then release the button.
4. Press the **Tun+/-** button to adjust the hour.
5. Press the **M/Cik/Ala/Pair 1/2** button.
6. Press the **Tun+/-** button to adjust the minute.
7. Press the **M/Cik/Ala 1/2/Pair** button.
8. Press the **Tun+/-** button to switch between FM Radio, Buzzer, or Off.
9. Press the **M/Cik/Ala 1/2/Pair** button.
10. Once the set alarm time is reached, the alarms will sound.

To set the other alarm, follow the above steps and choose the alarm not currently set.

Snooze and Alarm Reset

After the alarm sounds:

Press the **Snooze/Sleep** button to delay the alarm for several minutes.

OR

Press the **Power** button to turn the alarm off until the set alarm time is reached again.



International Support

To download this User's Guide in English, Spanish, or French, or to get answers to frequently asked questions, visit the support section at: www.iLiveElectronics.com

Bluetooth Setup

Pairing a Bluetooth Device for the First Time

1. Power on the unit by pressing the **Power** button.
2. Press the **Source** button to switch to Bluetooth mode.
Bluetooth mode is indicated by "bt" on the display.
The Bluetooth icon will flash slowly.
3. Press the **Pair** button.
The Bluetooth icon will flash quickly.
When pairing, remain within 3 feet of the unit.
4. Using the native controls on your Bluetooth device, select the "ICB103" in your Bluetooth settings to pair.
If your device requests a password, enter the default password "0 0 0 0".
Refer to the user's manual for your specific device for instructions on pairing and connecting Bluetooth devices.
5. When successfully paired and connected, the Bluetooth icon will remain solid.
After initial pairing, the unit will stay paired unless unpaired manually by the user or erased due to a reset of the device.
If your device should become unpaired or you find it is unable to connect, repeat the above steps.

Playing Audio Wirelessly

1. Follow the instructions for **Pairing a Bluetooth Device**.
2. Use the native controls on the connected Bluetooth Device to select a track.
3. To play or pause the selected track, use the native controls on the connected Bluetooth Device or press the **Play/Pause** button.
4. Audio played through the connected Bluetooth device will now be heard through the speakers.

Charging

Charging a Device

1. Make sure the unit is plugged into the wall.
2. Using the appropriate USB charging cable (not included), connect one end to the device and the other to the **USB Charger** on the unit.
Refer to the user's manual for your specific device for manufacturers required charging amperage as well as determining the appropriate cable for your device before charging.
Note: This device uses a USB charging port with a 500mA maximum charging capacity, making it unsuitable for charging iPads.
3. The device will now charge.

Radio

Tuning the FM Radio

1. Press the **Power** button to turn the unit on.
2. Press the **Source** button to switch to FM Radio mode.
3. Press the **Tun+** and **Tun-** buttons to adjust the radio to the desired frequency.
4. Press and hold the **Tun+** and **Tun-** buttons to search for the next available frequency.
5. Press the **Vol+/-** buttons to adjust the volume.
6. Press the **Power** to turn the radio off.
Adjust the position of the FM wire antenna to improve FM radio reception.

Saving a Station as a Preset

1. Follow the instructions for **Tuning the FM Radio**.
2. Tune to the desired station.
3. Press the **M/Cik/Ala 1/2/Pair** button.
4. Press the **Dimmer/Play/Pause/Mem+** button to choose the preset number.
5. Press the **M/Cik/Ala 1/2/Pair** button to save the station as a preset.
Up to 20 stations may be saved as presets.

Autosaving Preset Radio Stations

1. Follow the instructions for **Tuning the Radio**.
2. Press and hold the **M/Cik/Ala 1/2/Pair** button.
3. The unit will scan for an available station, and save it as a preset. It will then scan for the next available station, and set that as the next preset, continuing until up to 20 stations are saved as presets.

Tuning Preset Radio Stations

1. Follow the instructions for **Tuning the Radio** and **Saving a Station as a Preset**.
2. Press the **Play/Pause** button to cycle through preset radio stations.

Line In

Using the Line In

Requires a 3.5mm audio cable (not included)

1. Connect a 3.5mm audio cable to the **Line In** on the unit and an audio output on an MP3 player or other audio source.
2. Press the **Source** button to switch to Line In mode.
The display will show "AU".
3. Use the native controls on the connected MP3 player or other audio source to play and control audio played through the clock radio.