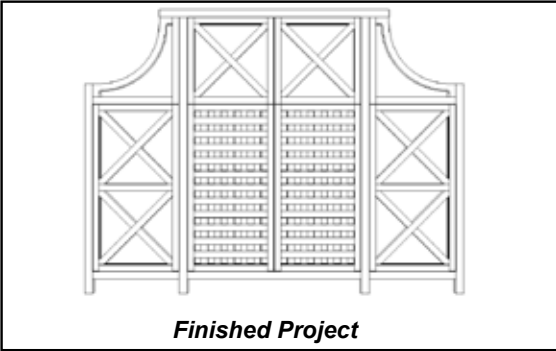


YARDISTRY STRUCTURES- COLLECTION SERIES CS015

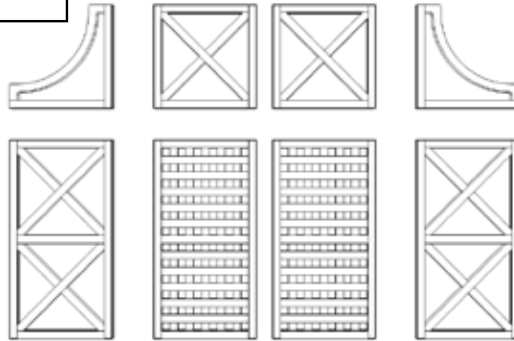
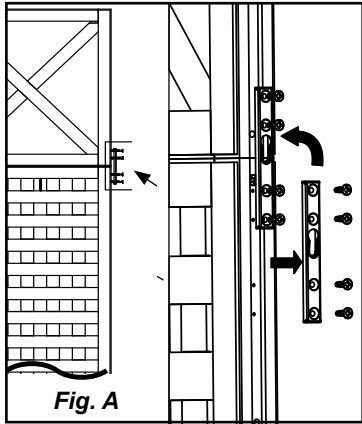
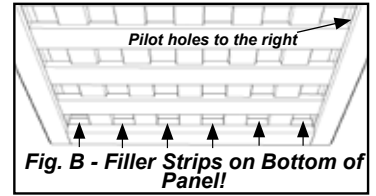
YM11535



1. Assemble panels in configuration shown. (Fig.1) Remove upper metal connectors on both sides of the 2 high panels, slide the connectors up and reattach to join top and bottom panels. Use factory drilled holes on original panel (Fig A.)

***Ensure Panels are oriented correctly! (Fig. B)**

2. Insert male connector into female. Slide down until flush with adjacent panel as shown. (Fig. C)



(143.5cm)

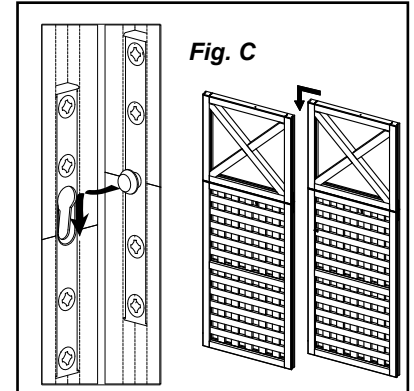
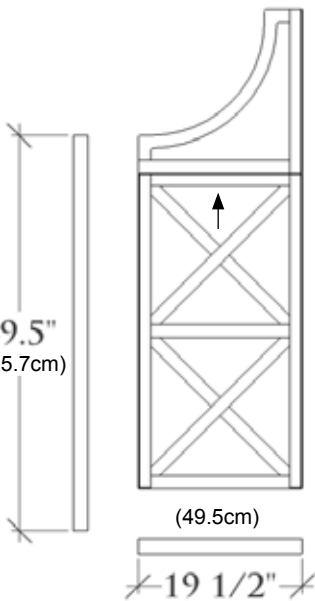
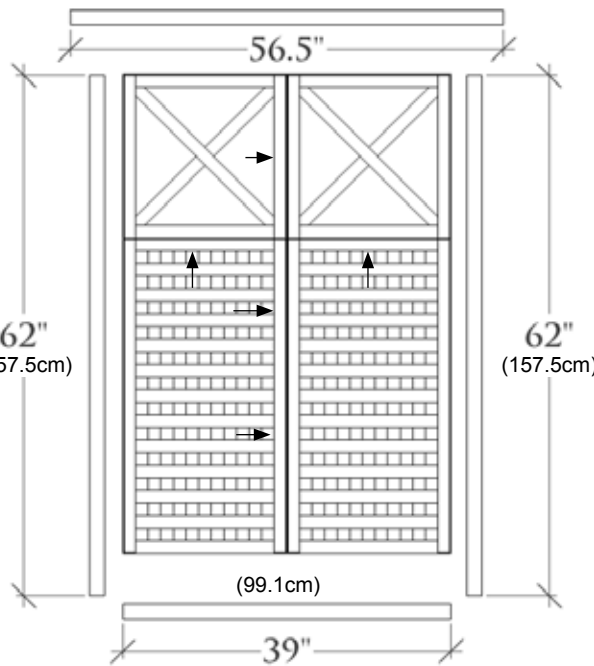


Fig. 2

49.5"
(125.7cm)



62"
(157.5cm)



62"
(157.5cm)

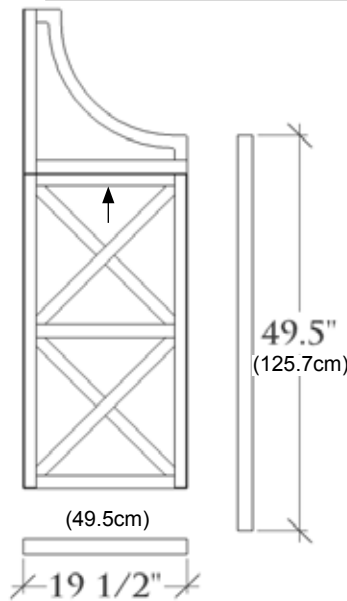
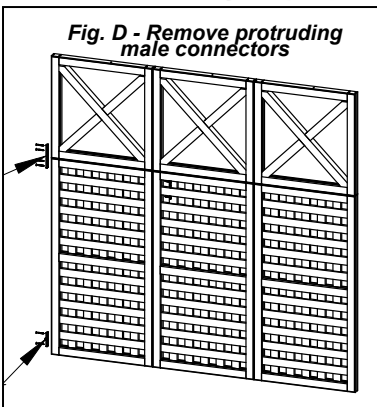


Fig. D - Remove protruding male connectors



- Secure Panels with 2 1/4" screws provided in pre-drilled holes as indicated by arrows. (Fig.2)
- Remove protruding male connectors to ensure flush connection with 2x2 posts in later steps. (Fig. D)
- Cut Posts and Rails to size indicated. (Fig. 2) (Use a Mitre Box or Mitre Saw)

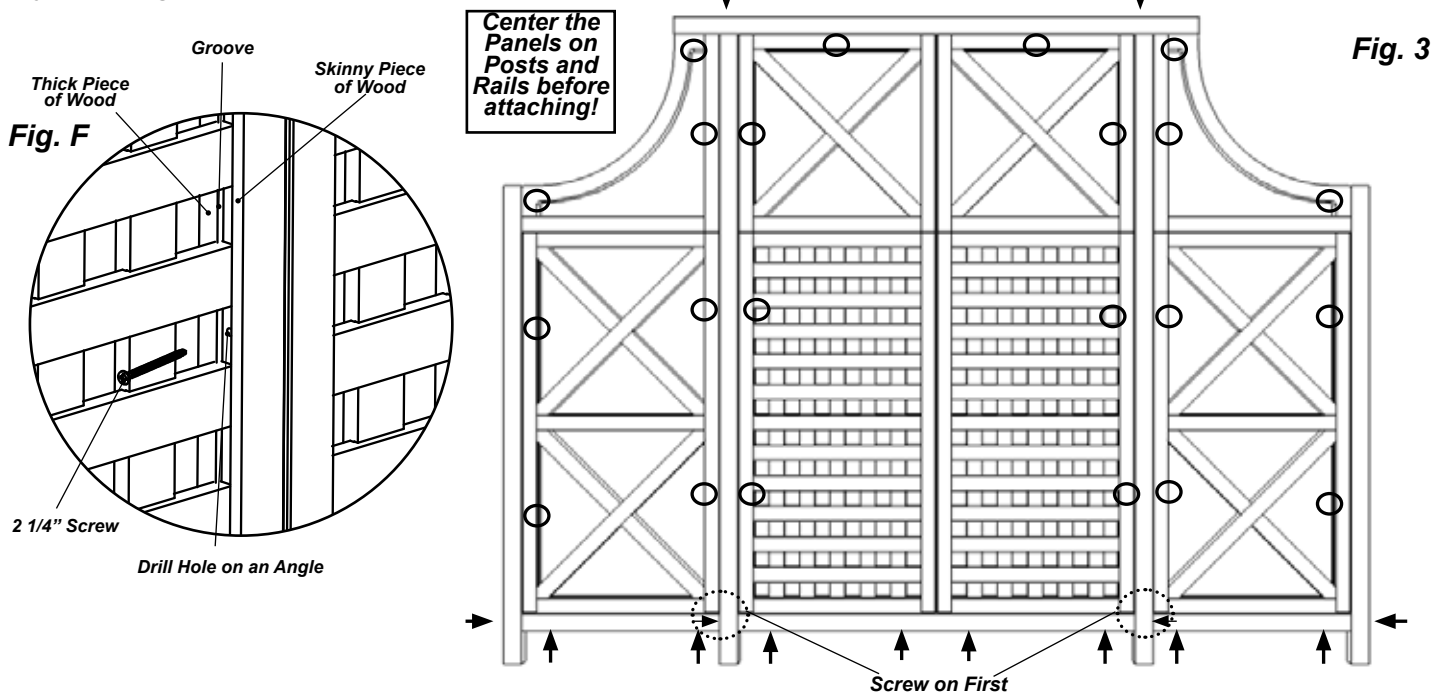
2 x One High X Topper | 2 x Two High X Panel | 2 x Two High Lattice Panel | 2 x Arch Topper

6x -2"x2"x62" Post/Rail

6. Attach Post and Rails to panels with 2 1/4" screws in locations indicated by **circles** using pre-drilled holes where available. (Fig. 3) When pre-drilled holes are not available use a 1/8" Drill Bit to drill holes on an angle in the inside of the panel as shown. (Fig. F)

7. Using a 1/8" drill bit, pre-drill Post and Rails in locations indicated by the **arrows** and attach to side posts using 2 3/4" screws. (Fig. 3)

*If you purchased the Post Stake to secure your project, please refer to the instructions provided with the post stake to anchor your project to the ground.



!Important Safety Notice!

- Yardistry components are intended for privacy, decorative and ornamental use only. **Product is NOT INTENDED for the following:**
 - A safety barrier to prevent unsupervised access to pools, hot tubs, spas, or ponds.
 - Safety railings for elevated platforms or decks.
 - As load bearing support for a building, structure, heavy objects or swings. - Used in structures that trap wind, rain or snow that would create extra load on the product.
- **Permanent structures may require a building permit.** As the purchaser and or installer of this product you are advised to consult local planning, zoning, and building inspection departments for guidance on applicable building codes and or zoning requirements.
- **Wood is NOT flame retardant and will burn.** Grills, fire pits and chimneys are a fire hazard if placed too close to a Yardistry structure. Consult user's manual of the grill, fire pit or chimney for safe distances from combustible materials.
- **During installation, follow all safety warnings provided with your tools and use OSHA approved safety glasses.**
- **Some structures may require two or more people to install safely. Check for underground utilities before digging or driving stakes into the ground!**

General Information: Wood components are manufactured with Cedar (C. Lanceolata) which is protected with factory applied water-based stain. Knots, small checks (cracks) and weathering are naturally occurring and do not affect the strength of the product. Annual application of a water-based water repellent sealant or stain will help reduce weathering and checks.

Warranty: Yardistry Limited products are backed by a 5 year limited lifetime warranty from the date of original retail purchase for manufacturing defects and if installed as per manufacturer's installation instructions.

Patents Pending

www.YardistryStructures.com