

PRIME™



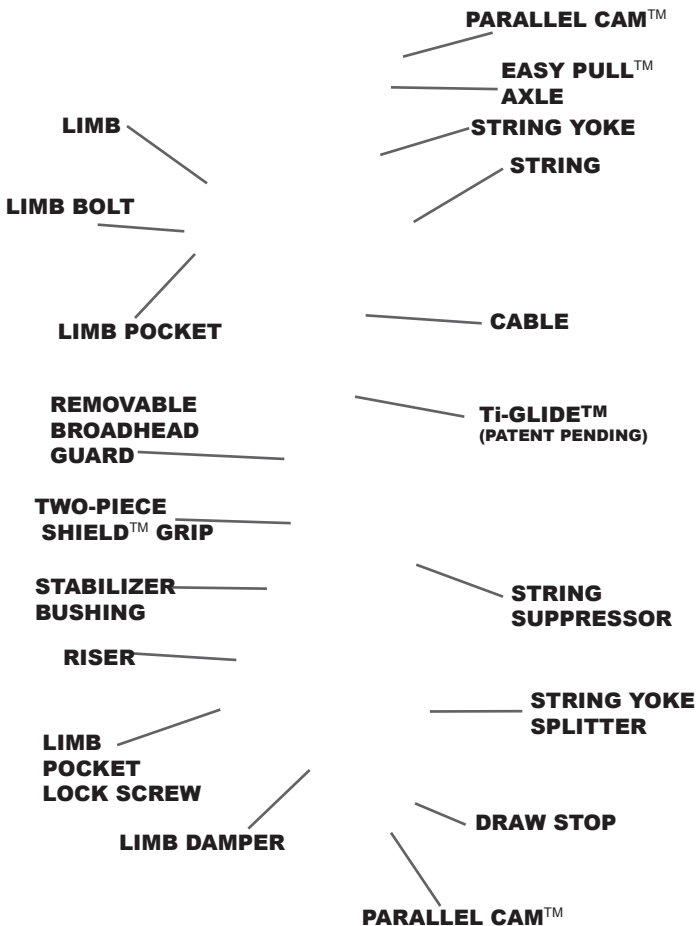
**2011
OWNERS MANUAL**

by

G[®]

BOW FEATURES

(CENTROID MODEL SHOWN)



INTRODUCTION

Congratulations on your purchase of a PRIME™ bow!

PRIME™ is a premium bow line by G5® Outdoors that aims to take bow technology and innovation to new heights. With new technologies, Parallel Cam™, Ti-Glide™, C1™ Limbs, 7000 Series Forged Risers, and Shield™ Grips, to name a few, you will find these bows produce a truly unique and superior shooting experience.



TM



PRIME BOWHUNTING
34775 POTTER ST.
MEMPHIS, MI 48041
TOLL FREE: 866-456-8836
FAX: 810-392-2181
www.g5prime.com

SAFETY

WARNING!! YOU'RE RESPONSIBLE FOR ARCHERY SAFETY

NEVER "DRY FIRE" YOUR BOW! This means to draw and release the string without an arrow. Firing a bow without an arrow to absorb the energy can cause severe damage to the bow, the shooter, and nearby persons. Let the string down slowly.

CAREFULLY INSPECT YOUR BOW BEFORE EVERY USE! Inspect your bow before every shooting session, inspecting the limbs, strings, cable(s), limb bolts, etc. If you notice any frayed or cut strings or cable(s) and/or cracks, or splintering limbs immediately cease use of the bow and contact your local pro shop.

ALWAYS BE SURE OF YOUR TARGET! Make sure there are no persons, buildings, vehicles, or livestock behind your target. Make sure to have proper backstop to properly stop arrows.

ALWAYS INSPECT YOUR ARROW! This means to inspect all your arrows, nocks, and fletching for cracks, bends, or anything that will compromise its safety. Use of cracked or damaged arrows will result in personal injury.

KEEP BOW FROM BEING EXPOSED TO EXCESSIVE HEAT OR DAMPNESS! Exposing the bow to excessive heat, such as, keeping the bow in a closed vehicle during sunny days can cause limb/string and cable(s) failure. Never store wet bow for prolonged periods.

ALWAYS BE SAFE! Make sure to know all warnings and abide by them. Never aim or shoot at a person. Never shoot straight up. Wear safety glasses while working on the bow. Be careful handling broadheads or anything sharp around the string and cable(s), cutting or nicking these can cause serious injury to you and others. Children **MUST** be supervised by a responsible adult.

SETUP

YOUR LOCAL PRO SHOP IS THE BEST SOURCE FOR:

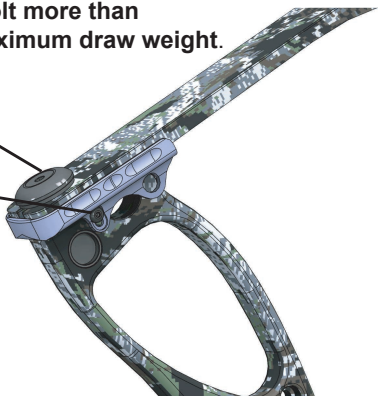
- Adjusting draw length, draw weight
- Replacing and/or servicing string and/or cables
- All aspects of bow tuning
- Proper arrow selection
- Proper selection and use of accessories

DRAW WEIGHT:

All PRIME™ bows have 10 pound draw weight adjustment capability. For instance if you have a 60 pound bow that bow is capable of 50-60 pound adjustment. To adjust the draw weight loosen the Limb Pocket Lock Screws first, using a 3/32" Allen wrench. Then use a 3/16" Allen wrench to adjust the Limb Bolts equally, by turning the Limb Bolt counterclockwise to decrease weight and clockwise to increase weight. Each full rotation of the Limb Bolt will alter the draw weight 2-3 pounds.

Never back out the Limb Bolt more than eight full rotations from maximum draw weight.

Limb Bolt
Lock Screw



TILLER:

Setting the tiller is easily done by tightening the limb bolts completely and then backing them off an equal number of turns.

BROADHEADS:

Most archers discover that they must make slight tuning adjustments when switching from field points to broadheads, both fixed and expandable, and even when using same weights. Broadheads can have different aerodynamics than field points and require slight adjustments in nocking point, centershot, and/or your sight. Always test your broadhead flight before going hunting to make sure of your arrow flight, no matter what kind of broadhead design/style.

SETUP...

CENTERSHOT:

The Parallel™ cam and Ti-Glide™ technologies provide a truly unique way to setup your arrow's centershot. Since the string, cables, cams, limbs, and riser are perfectly centered and inline, we recommend starting with the arrow perfectly centered inline with the string and the center of the grip/riser.(see Fig 1.) You might need to fine-tune this during tuning.

PRE-SETTING SIGHT WINDAGE:

The Parallel™ cam and Ti-Glide™ technologies provide a truly unique way to setup your sight. Since the string, cables, cams, limbs, and riser are perfectly centered and inline, we recommend starting with the sight pins being centered inline with the center of the arrow, string, and grip/riser.(see Fig 1.) You might need to fine-tune this during tuning.

NOCKING POINT:

There are many variables involved in determining where to install your nock point.

These include: type of arrow, arrow rest, fingers or release shooting, and your hand placement on the bow. As a general rule of thumb, the nock point will be set perpendicular, or 90°, to your arrow rest. And the arrow center should be even or above the center of the burger hole. (See Fig.2) Again this is only a starting point you might need to fine-tune this during your setup.

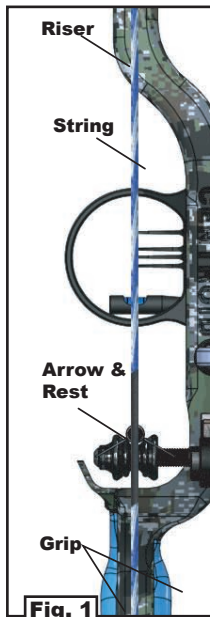


Fig. 1

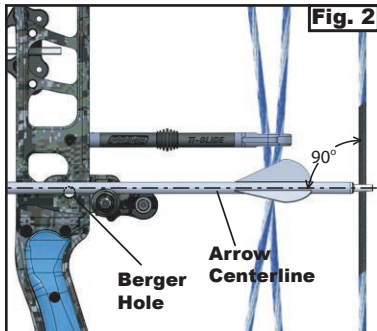


Fig. 2

SETUP...

DRAW LENGTH:

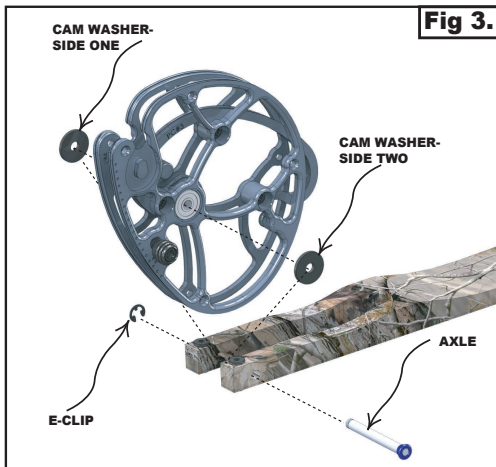
-Parallel Cams™ are draw length specific cams in intervals of 1/2". Note the Draw Length Chart below for the proper cam.

Parallel Cam Draw Lengths		
Bow Model	CENTROID	SHIFT
PC#1	31"	30"
PC#2	30.5"	29.5"
PC#3	30"	29"
PC#4	29.5"	28.5"
PC#5	29"	28"
PC#6	28.5"	27.5"
PC#7	28"	27"
PC#8	27.5"	26.5"
PC#9	27"	26"

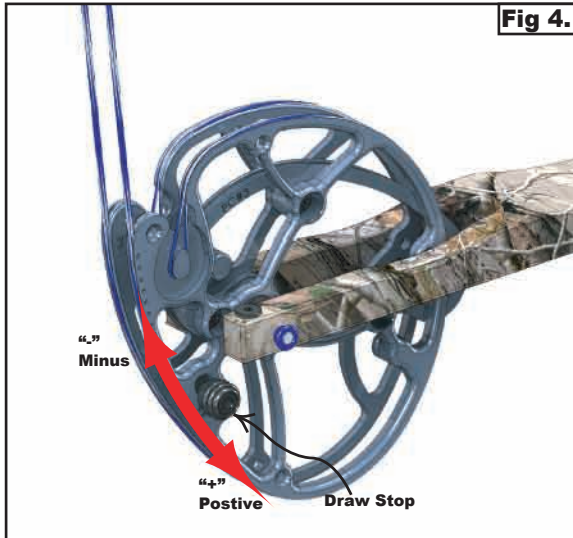
-To change out draw lengths please seek professional help of an authorized PRIME™ dealer/pro-shop. Please note-To ensure proper use make sure cam washers are within .005" of thickness from one side to the other. For this will place the cam within the center of the limb which is important to reduce cam lean. (See Fig 3.)

WARNING!!!

DO NOT DRAW PARALLEL CAM EQUIPPED BOWS WITHOUT BOTH DRAW STOPS PROPERLY INSTALLED!!!



SETUP...



LET OFF:

-Draw stops can be used to micro-adjust draw length $-.125"$ & $+.250"$ from each cam's specified draw length and adjust let-off from 80% on down to 65%. Pushing the draw stop forward, or in the "minus" direction, will result in less let-off and shorter draw length whereas moving it backwards, or in the "positive" direction will increase let-off and draw length. To adjust them use a $9/64"$ allen wrench, loosen 8-32 cap screw one full turn, and then slide both upper and lower draw stops equal amounts. Finally, re-tighten the 8-32 cap screws on both draw stops. (See Fig 4.)

WARNING!!!

DO NOT DRAW PARALLEL CAM EQUIPPED BOWS WITHOUT BOTH DRAW STOPS PROPERLY INSTALLED!!!

BOW PRESS

Presses bow in two places

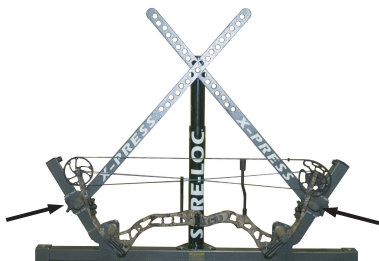


FIG. 1

Always use a double pull style press, like in figures 1 and 2, when working on your bow.

Presses bow in two places

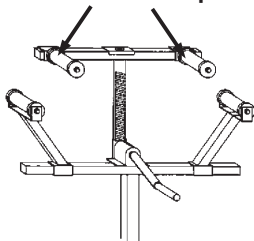
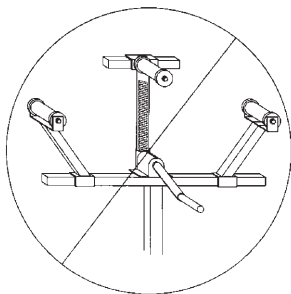


FIG. 2



Never use a single pull style press, like in figure 3, where pressure is placed on the grip only!

**WARNING!!
NEVER USE A SINGLE PULL PRESS!**

MAINTAINING YOUR BOW

PERIODICALLY CHECK YOUR STRING & CABLES:

Always check your bow for frayed string, yokes and cables. Replace damaged string, yokes and/or cables immediately. Also keep your PRIME™ strings waxed and maintained. If you replace the string, yokes, and/or cables make sure to only use PRIME™ replacements and proper lengths for best performance and reliability.

ECCENTRIC BUSHINGS/BEARINGS:

All PRIME™ bows have self lubricating/sealed bearing systems and do not need to be lubricated.

Ti-GLIDE™ TECHNOLOGY:

All PRIME™ bows are equipped with Ti-Glide™ cable guard technology, which utilize state of the art technical composites and titanium materials that should never wear out with normal use. Periodically check the condition of the cables above and below the Ti-Glide™ to see if any premature wearing/fraying has occurred. Replace Ti-Glide™ immediately if damaged.

STRING YOKE SPLITTER:

All PRIME™ bows are equipped with String Yoke Splitters in the bowstring. Make sure these are installed as viewed below. **DO NOT DRAW/FIRE A PRIME™ BOW WITHOUT THESE PROPERLY INSTALLED.**



STORAGE:

Do not store your PRIME™ bow in areas that are subject to excessive heat such as a trunk of an automobile, attic or garage. Excessive heat can severely damage the limbs, strings, cables, and other bow parts and is not covered under the manufacturer's warranty.

After use in damp or wet environments, dry off the bow completely before storing.

BOW OWNER'S RECORD

Fill in the following personal bow record for your reference.

Bow Serial Number: _____

Bow Model: _____

Purchased From: _____

Purchase Date: _____

Draw Length: _____ Draw Weight: _____

String Length: _____ Cable(s) Length: _____

Yoke(s) Length: _____

Important:

Save your sales receipt and serial number of your new bow. The sales receipt and serial number is your proof of date-of-purchase. This proof of date-of-purchase will be required should your bow ever need warranty service.

Please attach your sales receipt here for safekeeping

Notes:

LIMITED LIFETIME WARRANTY

Protections in the PRIME™ Warranty:

The PRIME™ Warranty protects the original owner against defects in the materials and workmanship if purchased from an authorized PRIME™ retail location. Components of the bow included in the warranty:

- *Limbs
- *Riser
- *Cams
- *Ti-Glide™ Cable Guard

Exclusions in the PRIME™ Warranty:

This warranty is void if:

- *The PRIME™ bow is purchased from an unauthorized PRIME™ dealer
- *The PRIME™ bow is purchased via the Internet
- *There is damage caused by abuse, mishandling, dry-firing, alteration or modification to the original product.

All cables, strings, bearings and rubber parts on the PRIME™ bow are not covered under the PRIME™ Warranty. This warranty is only valid to the original owner of the bow and is not transferable.

Activating your PRIME™ Warranty:

Please mail both the completed warranty card received at purchase along with a copy of the sales receipt, within 30 days of your purchase.

Servicing your PRIME™ Bow:

If you need repairs or have warranty issues with any PRIME™ Bow, we ask you go through an authorized PRIME™ retail store. The store's service technician will be able to coordinate any replacement or warranty parts with PRIME™.

PRIME

PRIME BOWHUNTING
34775 POTTER ST.
MEMPHIS, MI 48041
TOLL FREE: 866-456-8836
FAX: 810-392-2181
www.g5prime.com

